



US00D561325S

(12) **United States Design Patent**
Shirahama et al.

(10) **Patent No.:** **US D561,325 S**
(45) **Date of Patent:** **** Feb. 5, 2008**

(54) **CENTRIFUGAL BLOWER FAN**

D539,408 S * 3/2007 Wu et al. D23/370

(75) Inventors: **Seiji Shirahama**, Kasugai (JP); **Hitoshi Yoshikawa**, Kasugai (JP)

FOREIGN PATENT DOCUMENTS

| | | |
|----|-----------|--------|
| JP | D 1078706 | 7/2000 |
| JP | D 1117943 | 8/2001 |
| JP | D 1148255 | 7/2002 |
| JP | D 1170096 | 4/2003 |
| JP | D 1243646 | 6/2005 |
| JP | D 1244316 | 6/2005 |

(73) Assignee: **Matsushita Electric Industrial Co., Ltd.**, Osaka (JP)

(**) Term: **14 Years**

* cited by examiner

(21) Appl. No.: **29/288,602**

Primary Examiner—Lisa Lichtenstein

(22) Filed: **Jun. 15, 2007**

(74) *Attorney, Agent, or Firm*—Brinks Hofer Gilson & Lione

(30) **Foreign Application Priority Data**

Jan. 18, 2007 (JP) 2007-000856

(57) **CLAIM**

(51) **LOC (8) Cl.** **23-04**

We claim the ornamental design for a centrifugal blower fan, as shown and described.

(52) **U.S. Cl.** **D23/370**

(58) **Field of Classification Search** D23/370,
D23/383; 415/206, 208.1

See application file for complete search history.

DESCRIPTION

FIG. 1 is a front perspective view of a centrifugal blower fan of the present invention;

(56) **References Cited**

U.S. PATENT DOCUMENTS

| | | | | | |
|-----------|------|--------|--------------|-------|-----------|
| 2,932,445 | A * | 4/1960 | Hathaway | | 416/184 |
| D234,203 | S * | 1/1975 | Gunter | | D23/383 |
| 6,042,335 | A * | 3/2000 | Amr | | 415/208.1 |
| D453,827 | S | 2/2002 | Kuo et al. | | |
| D463,021 | S | 9/2002 | Huang et al. | | |
| D486,568 | S | 2/2004 | Chen et al. | | |
| 6,884,033 | B2 * | 4/2005 | Liao | | 415/206 |

FIG. 2 is a rear perspective view thereof;

FIG. 3 is a front view thereof;

FIG. 4 is a rear view thereof;

FIG. 5 is a first side view thereof;

FIG. 6 is a top view thereof;

FIG. 7 is a second side view thereof; and,

FIG. 8 is a bottom view thereof.

1 Claim, 8 Drawing Sheets

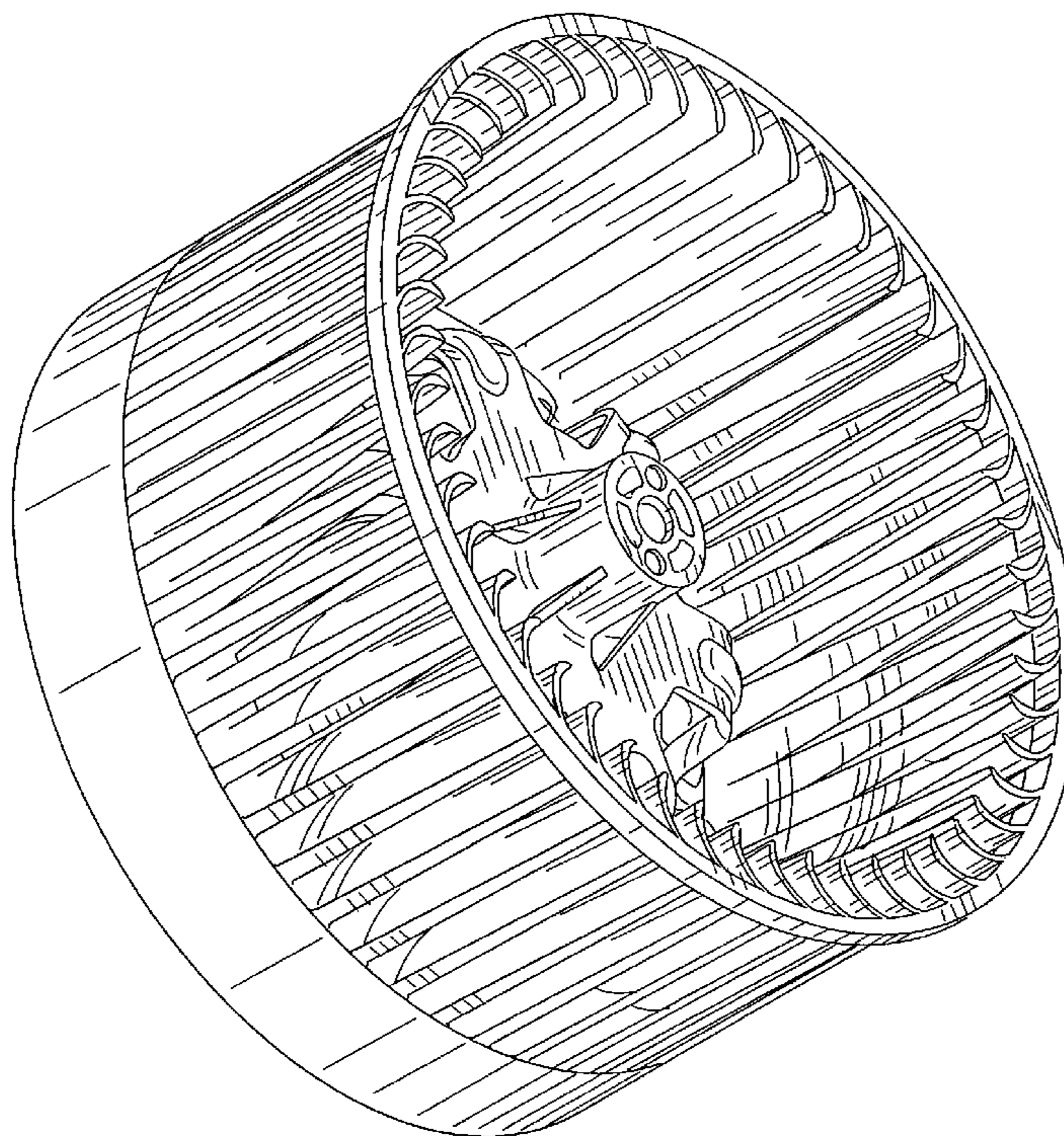


FIG. 1

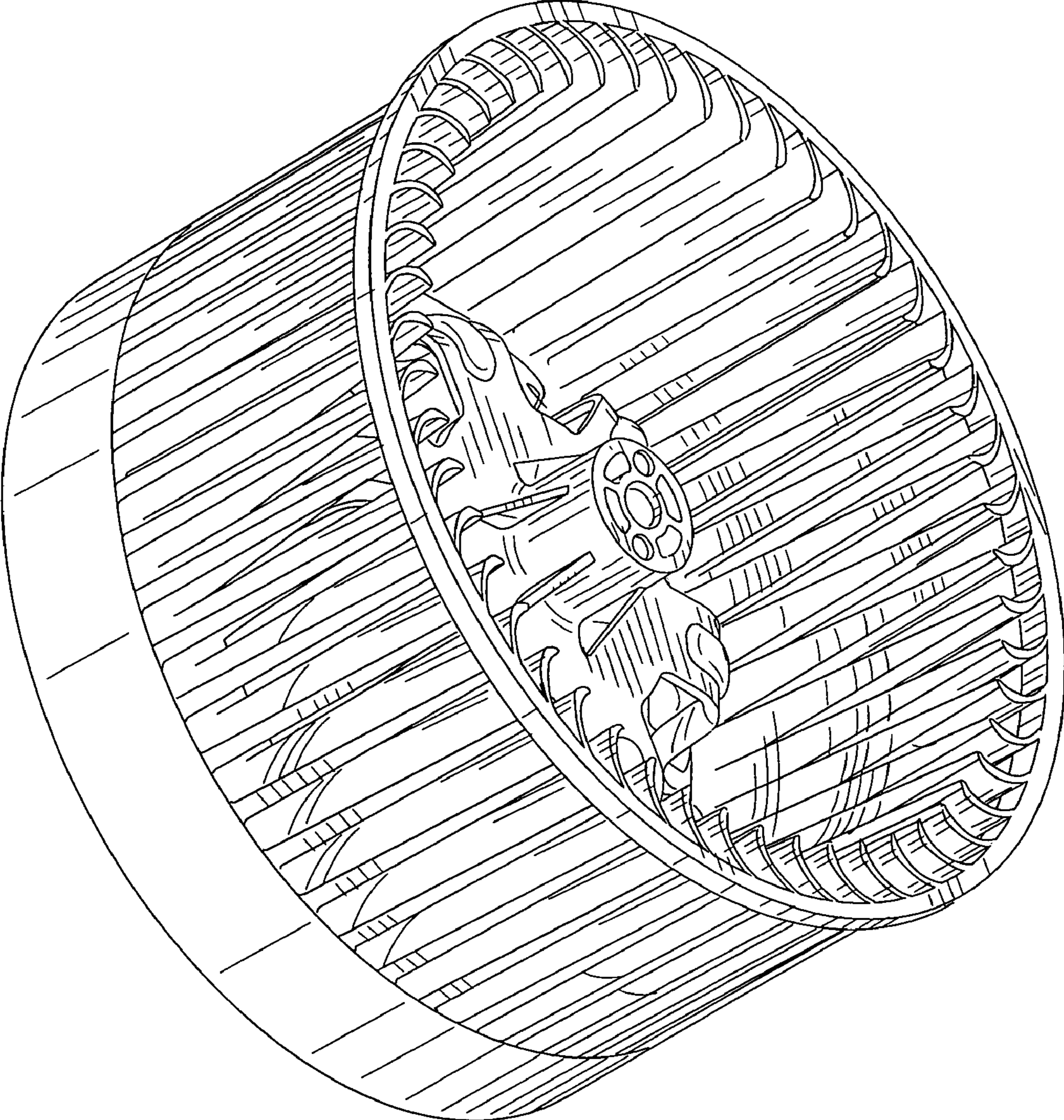


FIG.2

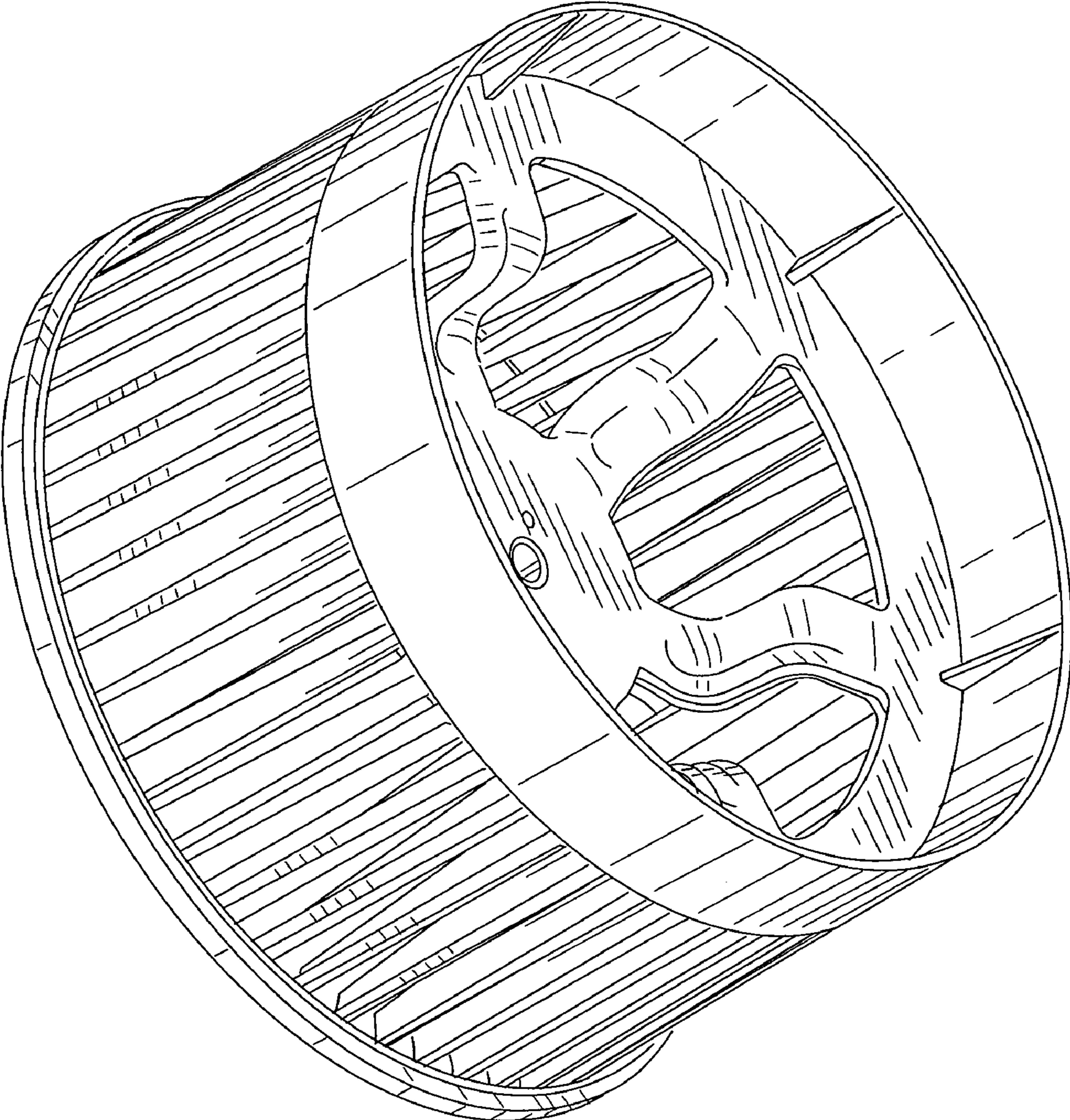


FIG.3

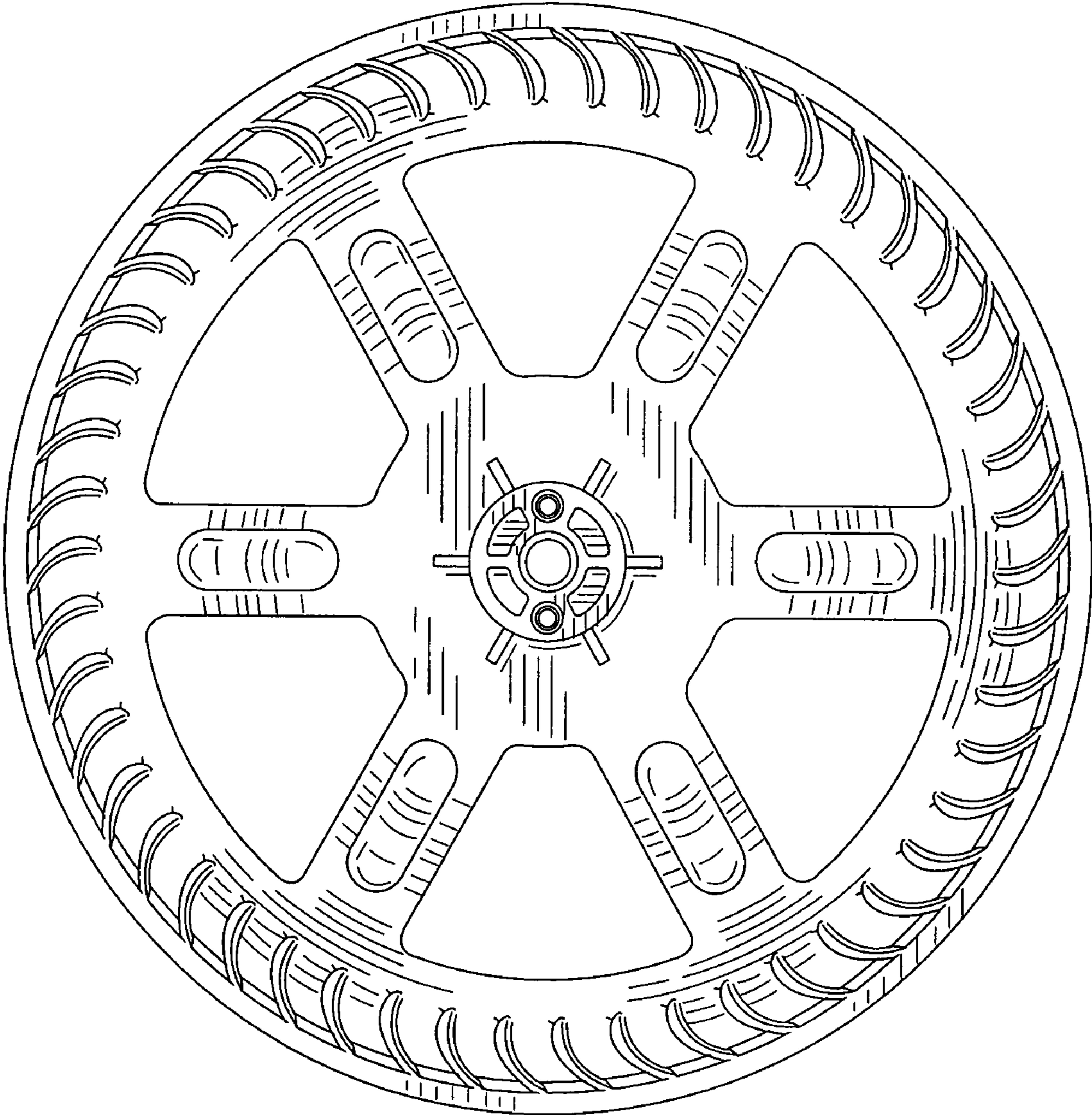


FIG.4

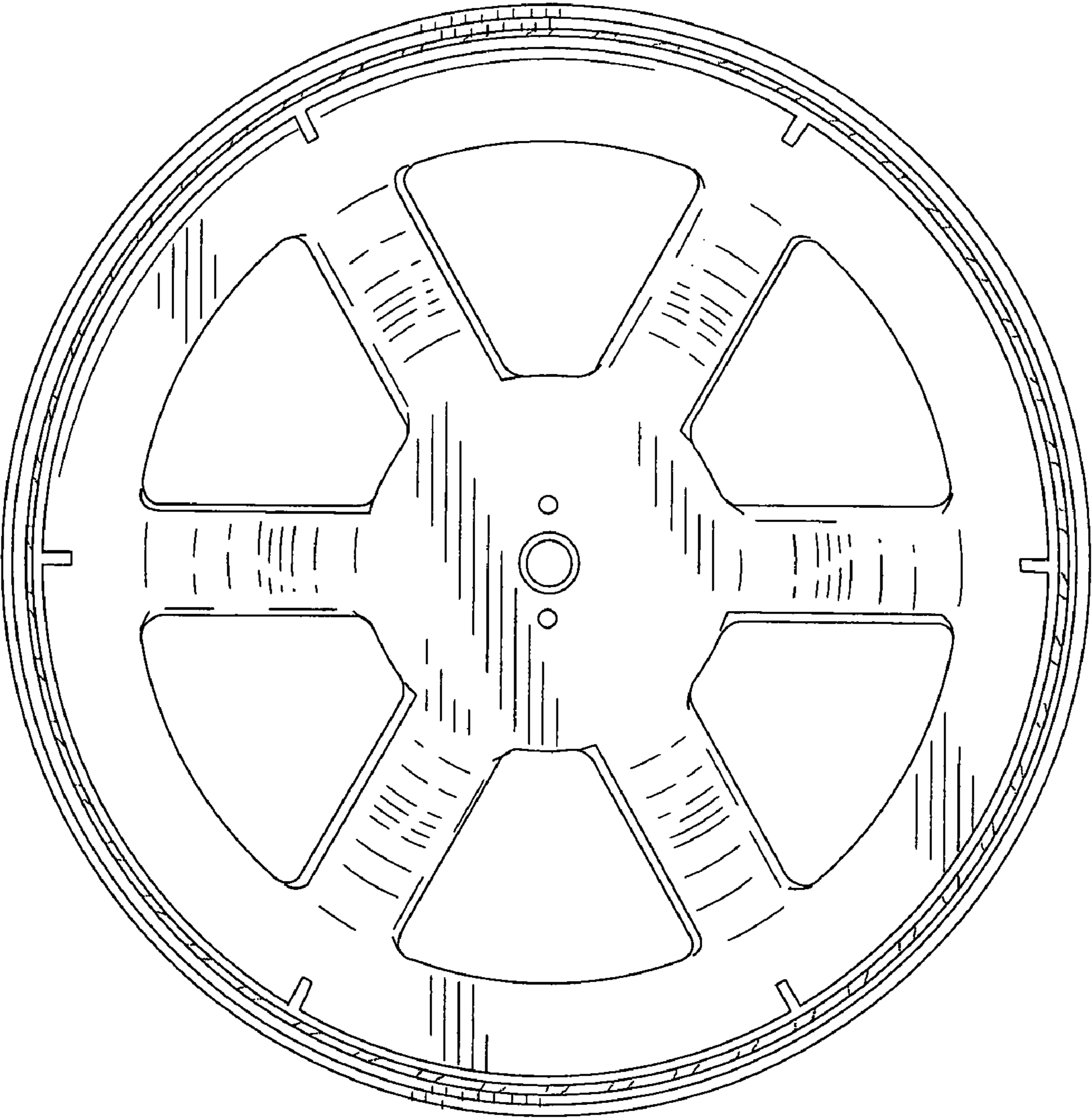


FIG. 5

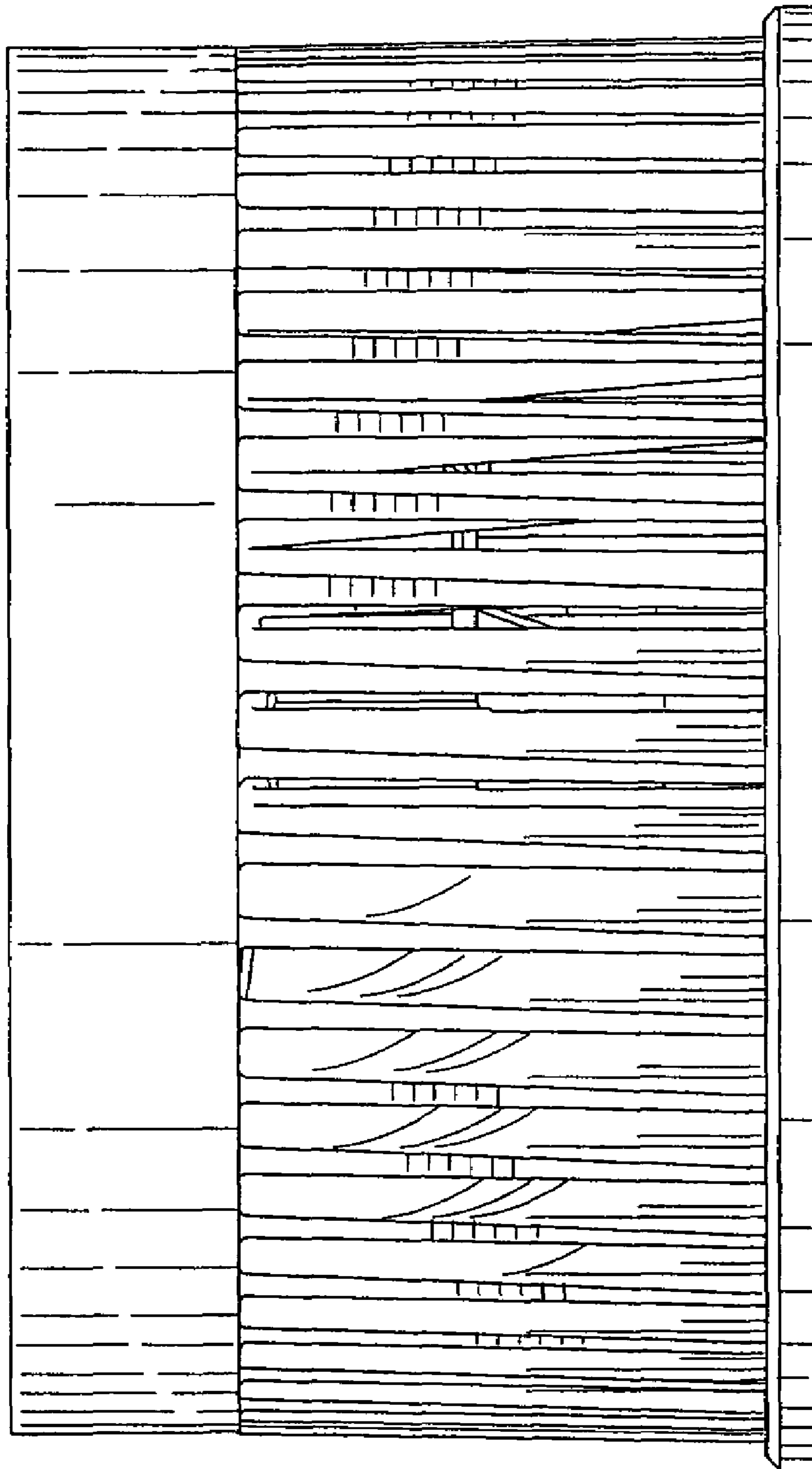


FIG.6

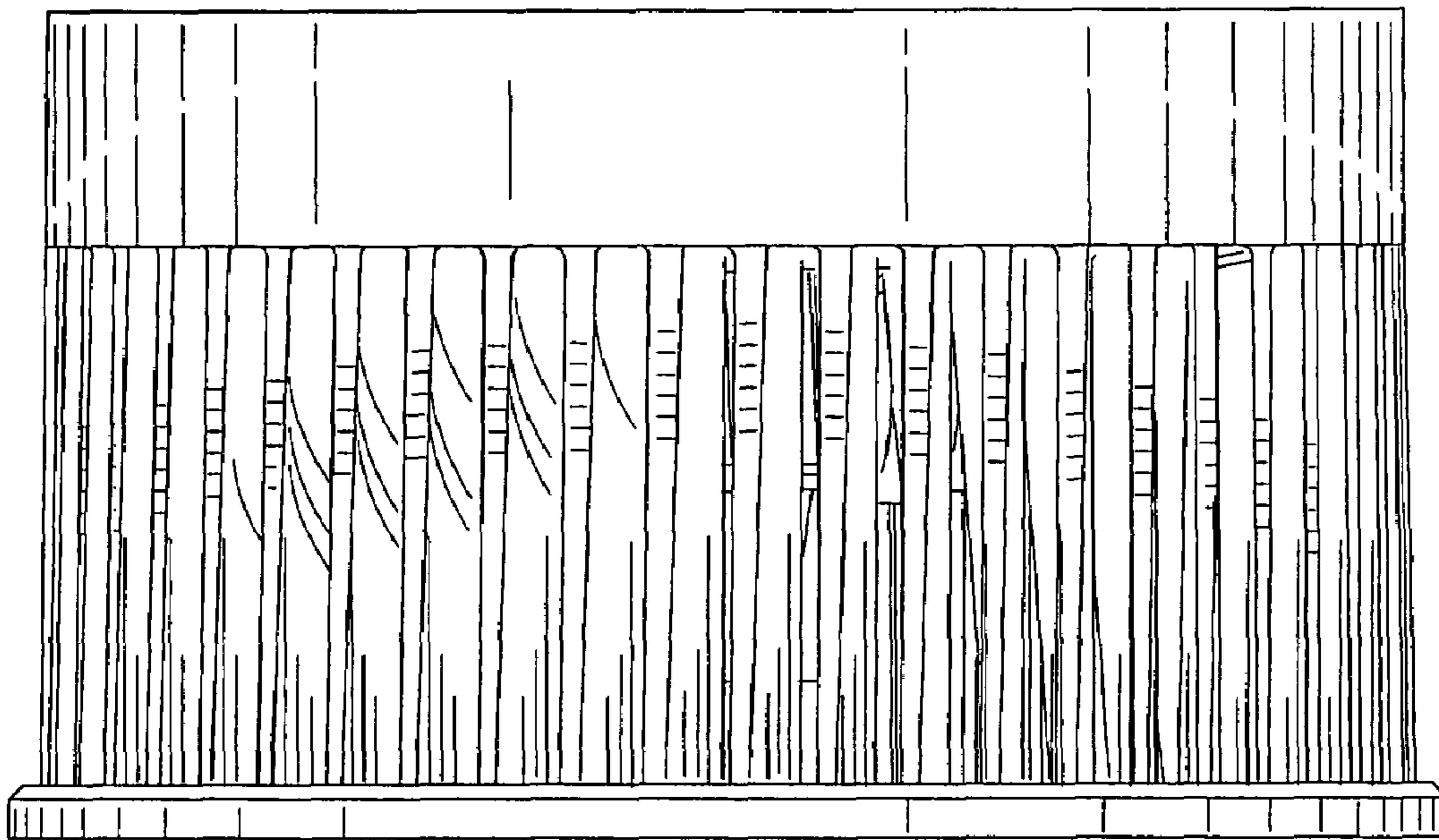


FIG. 7

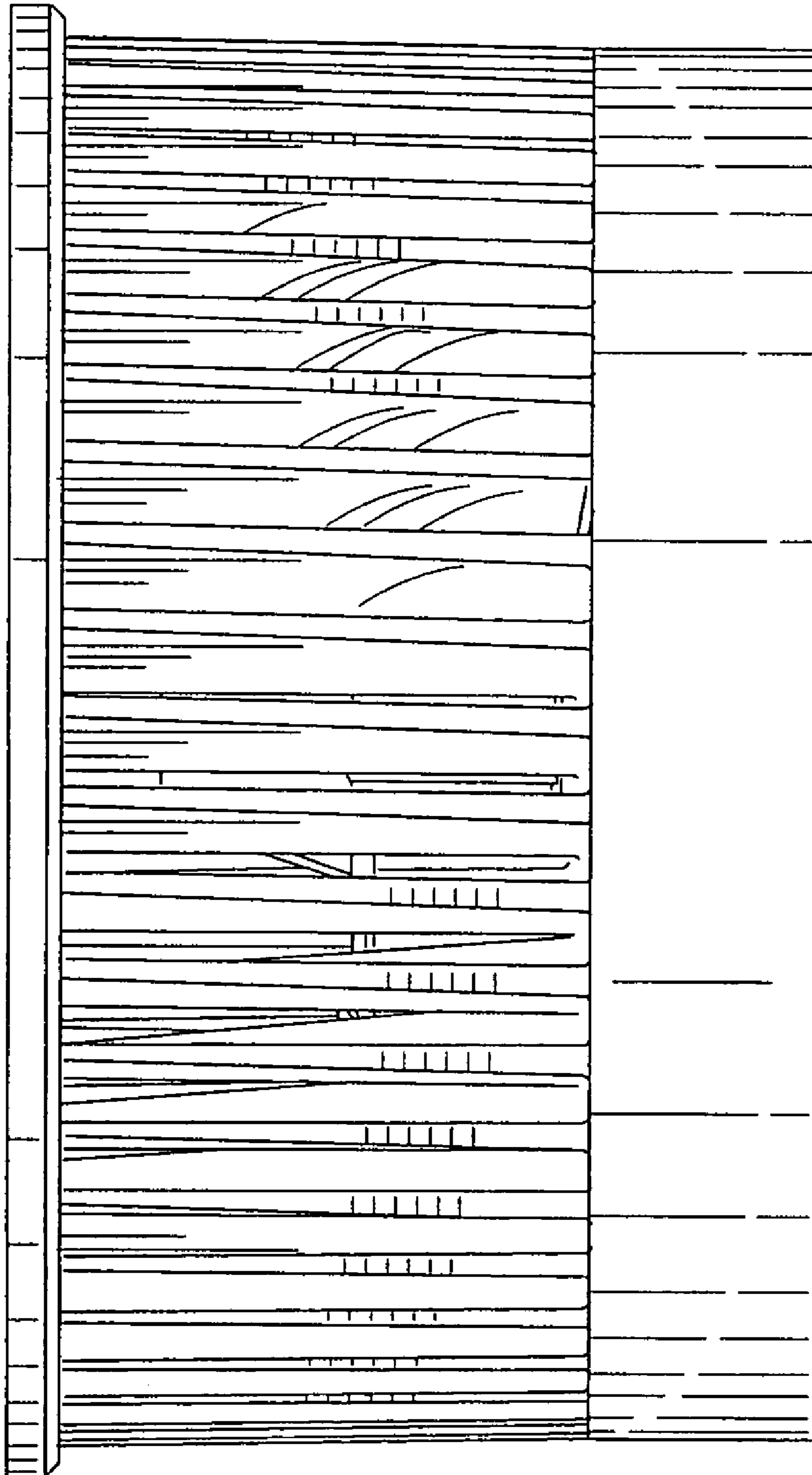


FIG.8

