



US00D561324S

(12) **United States Design Patent**
Shirahama et al.

(10) **Patent No.:** **US D561,324 S**
(45) **Date of Patent:** **** Feb. 5, 2008**

(54) **CENTRIFUGAL BLOWER FAN**

D539,408 S * 3/2007 Wu et al. D23/370

(75) Inventors: **Seiji Shirahama**, Kasugai (JP); **Hitoshi Yoshikawa**, Kasugai (JP)

(73) Assignee: **Matsushita Electric Industrial Co., Ltd.**, Osaka (JP)

(**) Term: **14 Years**

(21) Appl. No.: **29/288,565**

(22) Filed: **Jun. 15, 2007**

(30) **Foreign Application Priority Data**

Jan. 18, 2007 (JP) 2007-000857

(51) **LOC (8) Cl.** **23-04**

(52) **U.S. Cl.** **D23/370**

(58) **Field of Classification Search** D23/370,
D23/383; 415/206, 208.1

See application file for complete search history.

(56) **References Cited**

U.S. PATENT DOCUMENTS

- 2,932,445 A * 4/1960 Hathaway 416/184
- D234,203 S * 1/1975 Wrobel D23/383
- 6,042,335 A * 3/2000 Amr 415/208.1
- D453,827 S 2/2002 Kuo et al.
- D463,021 S 9/2002 Huang et al.
- D486,568 S 2/2004 Chen et al.
- 6,884,033 B2 * 4/2005 Liao 415/206

FOREIGN PATENT DOCUMENTS

- JP D 1078706 7/2000
- JP D 1117943 8/2001
- JP D 1148255 7/2002
- JP D 1170096 4/2003
- JP D 1243646 6/2005
- JP D 1244316 6/2005

* cited by examiner

Primary Examiner—Lisa Lichtenstein

(74) *Attorney, Agent, or Firm*—Brinks Hofer Gilson & Lione

(57) **CLAIM**

We claim the ornamental design for a centrifugal blower fan, as shown and described.

DESCRIPTION

FIG. 1 is a front perspective view of a centrifugal blower fan of the present invention;

FIG. 2 is a rear perspective view thereof;

FIG. 3 is a front view thereof;

FIG. 4 is a rear view thereof;

FIG. 5 is a first side view thereof;

FIG. 6 is a top view thereof;

FIG. 7 is a second side view thereof; and,

FIG. 8 is a bottom view thereof.

1 Claim, 8 Drawing Sheets

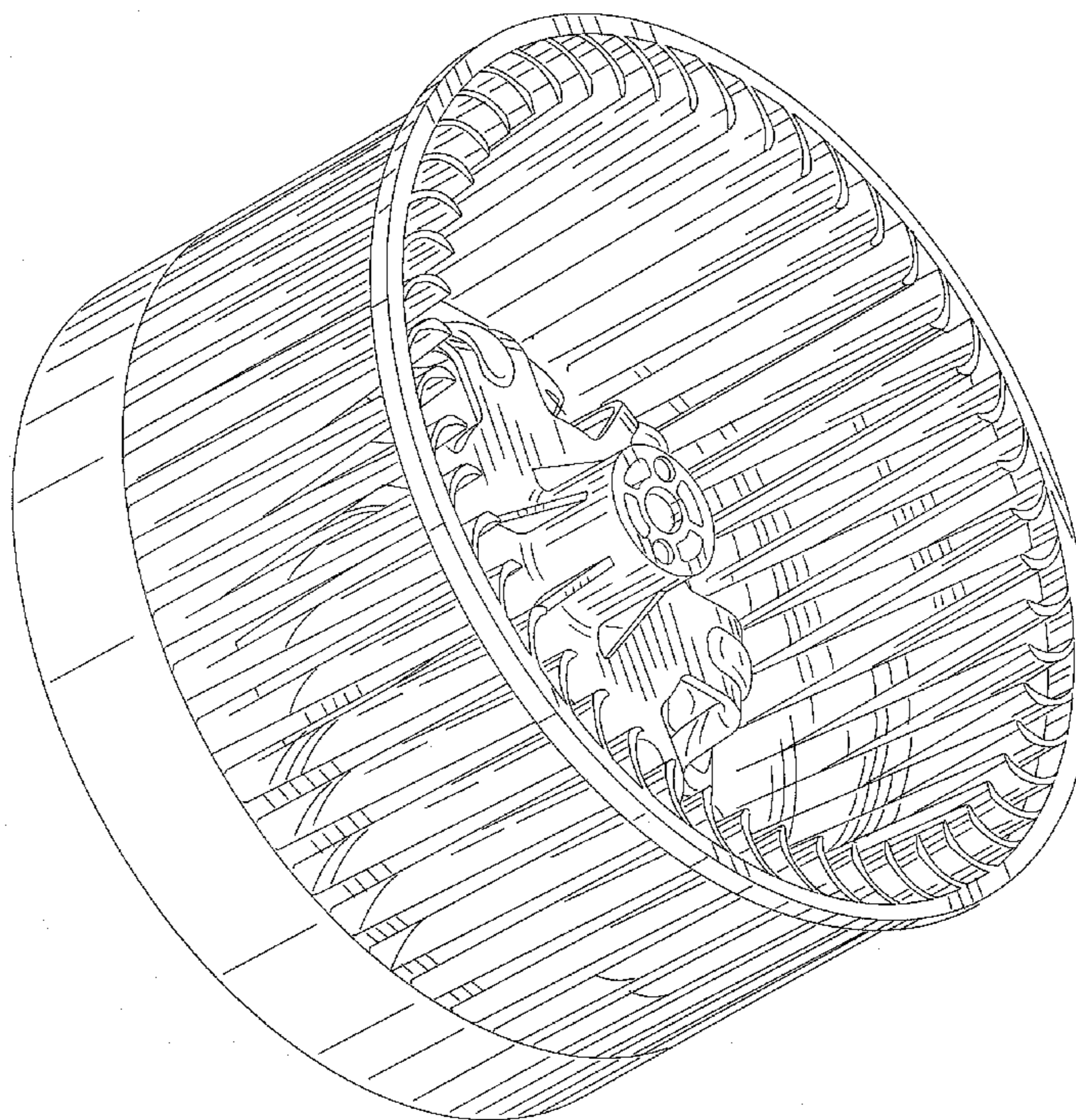


FIG. 1

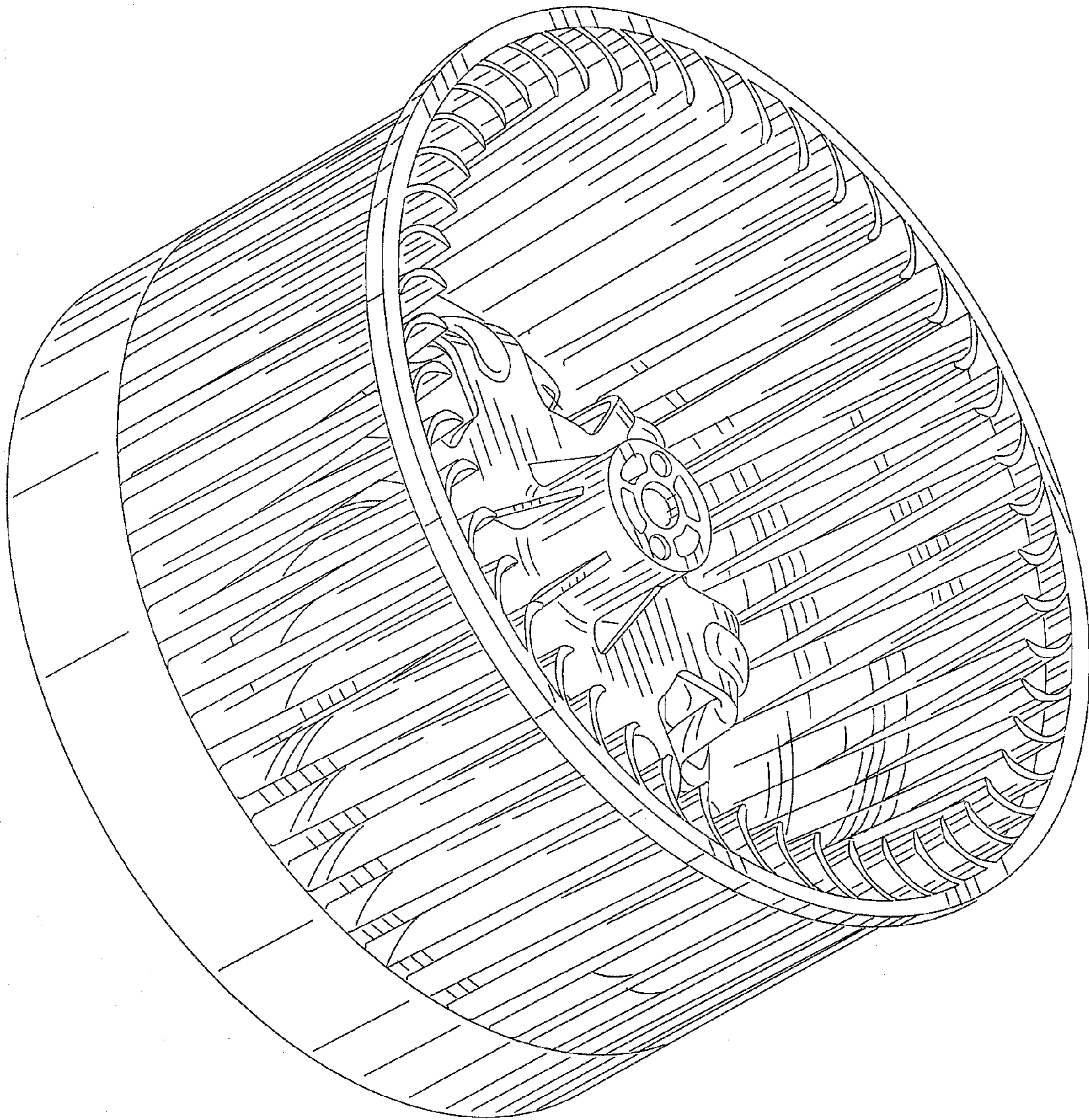


FIG.2

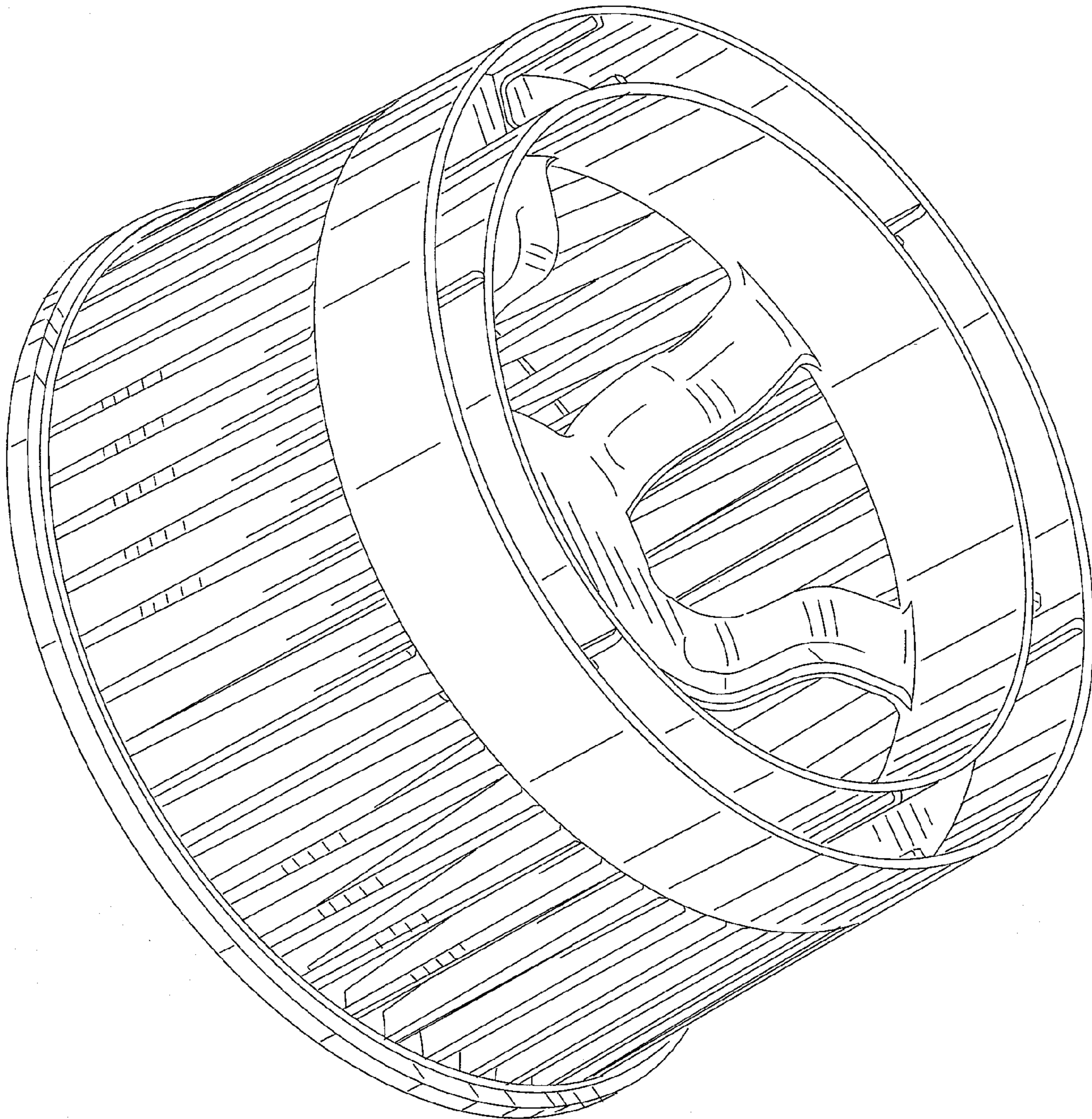


FIG.3

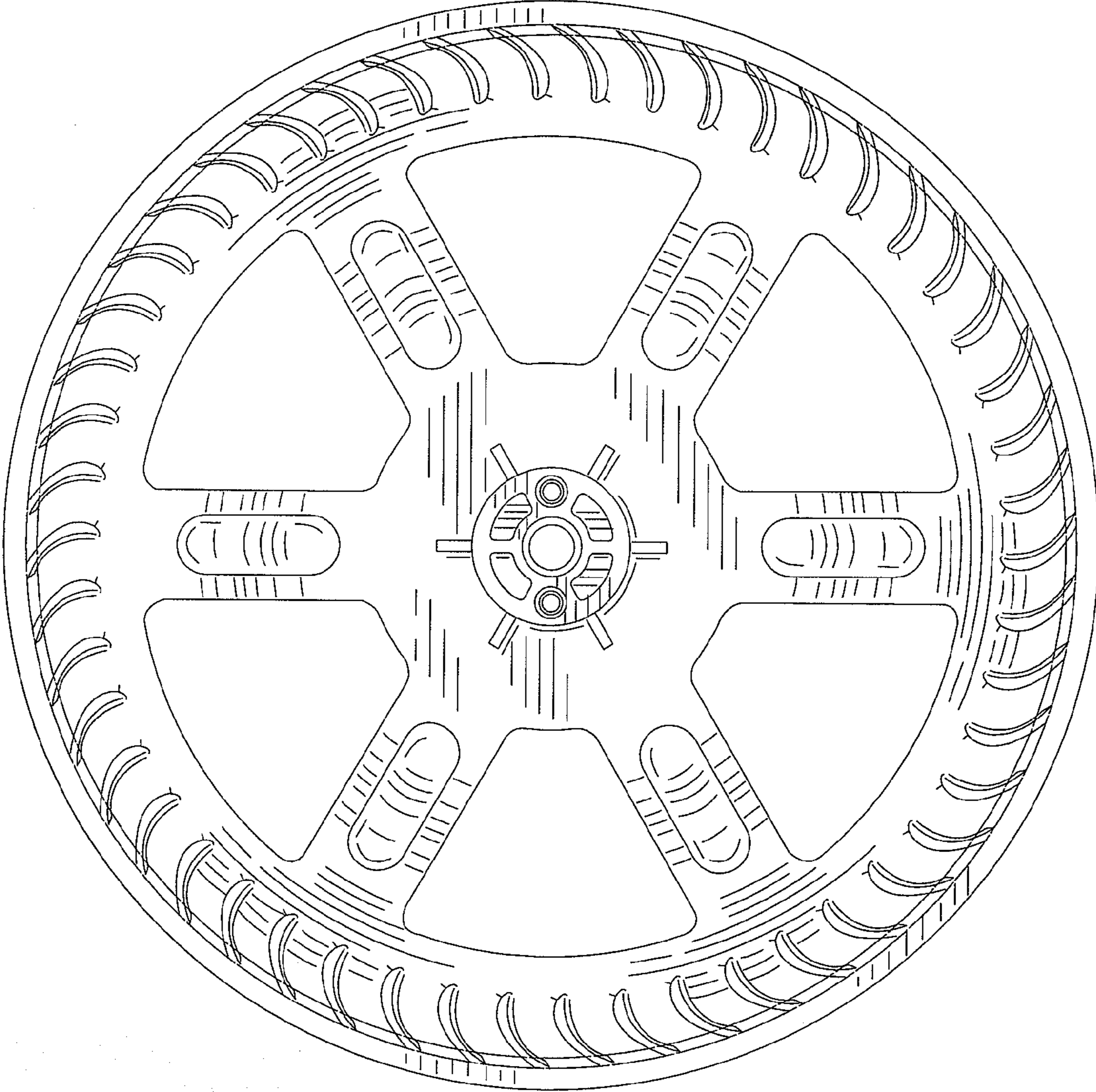


FIG.4

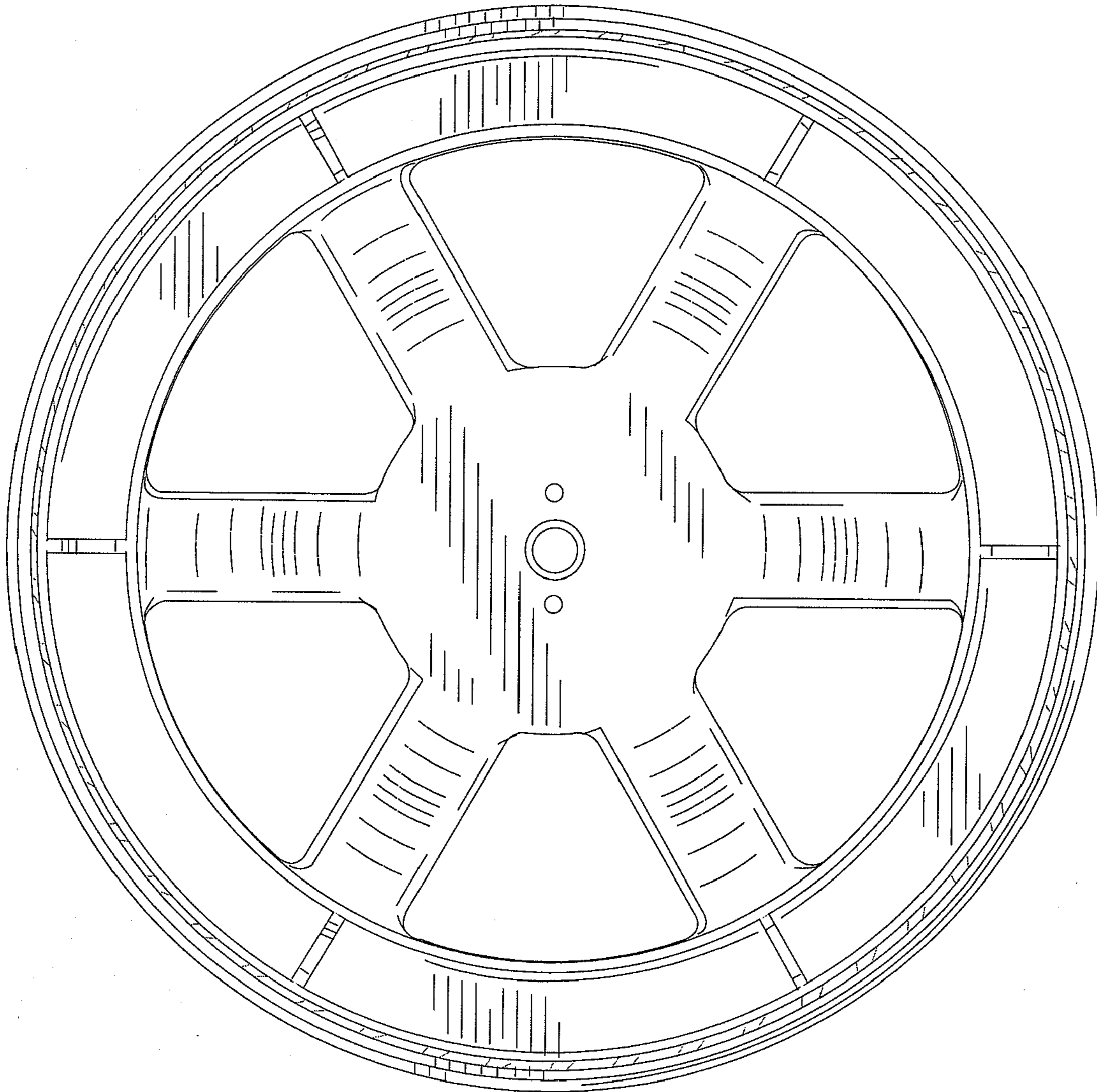


FIG. 5

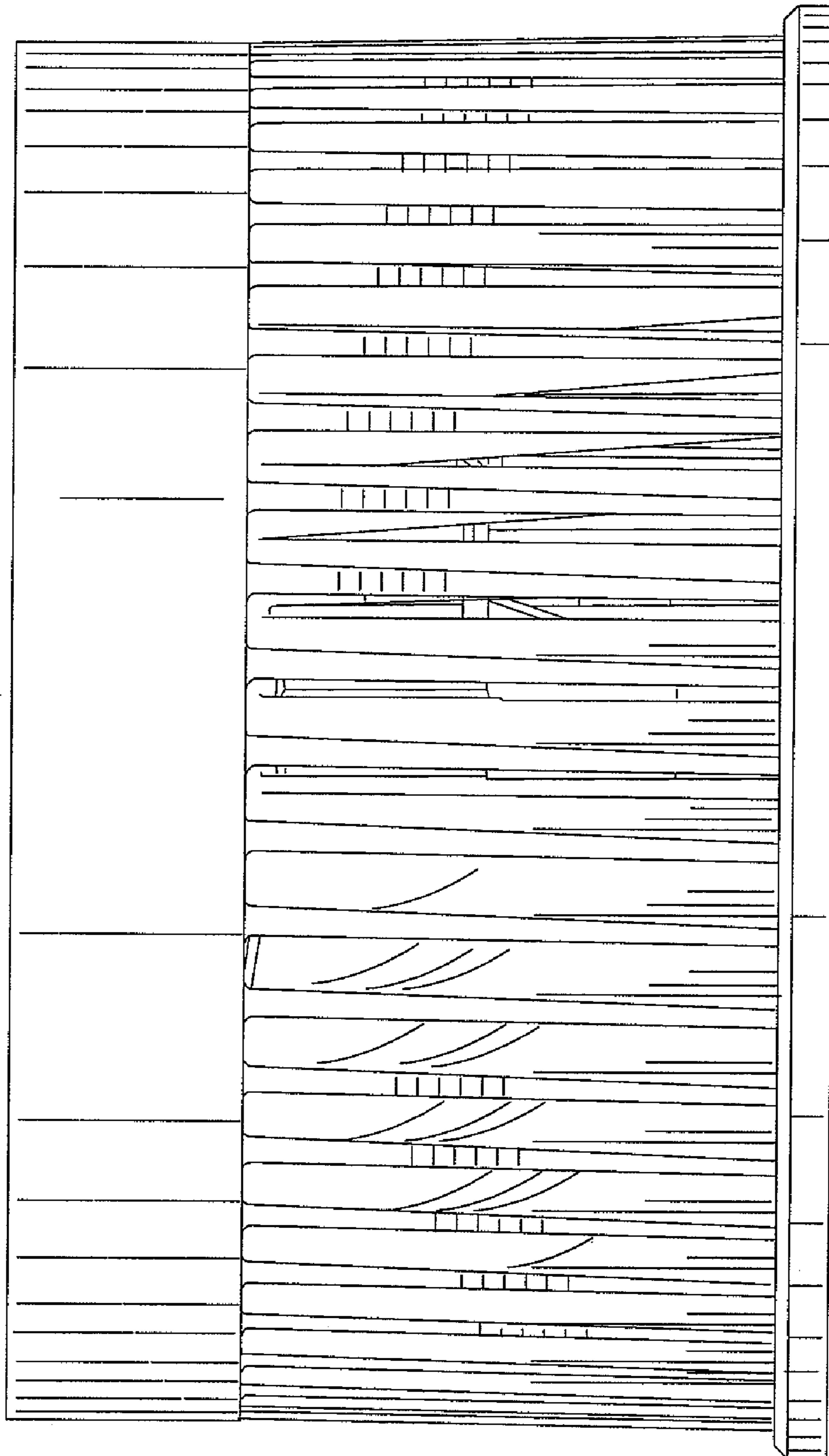


FIG.6

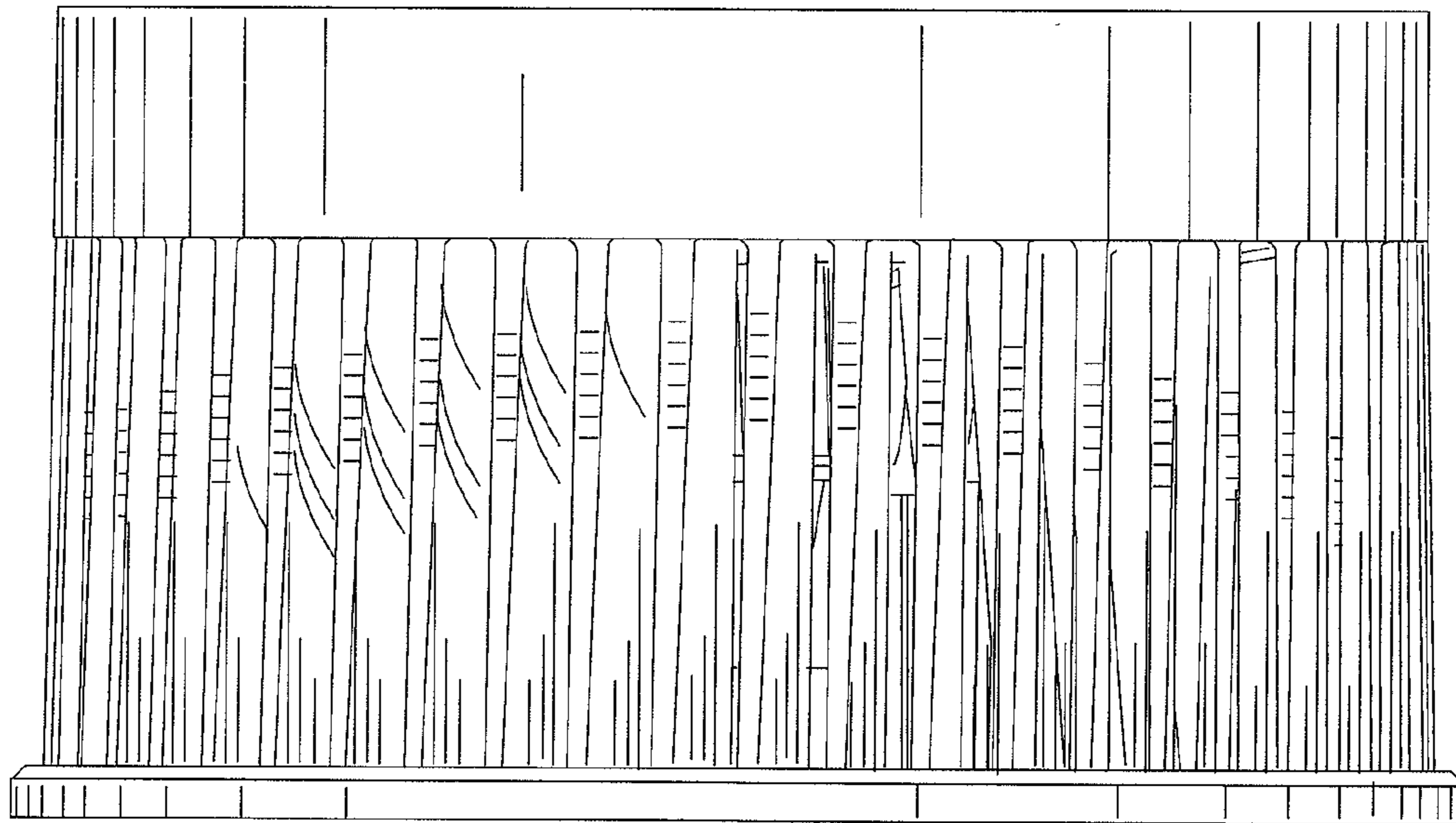


FIG. 7

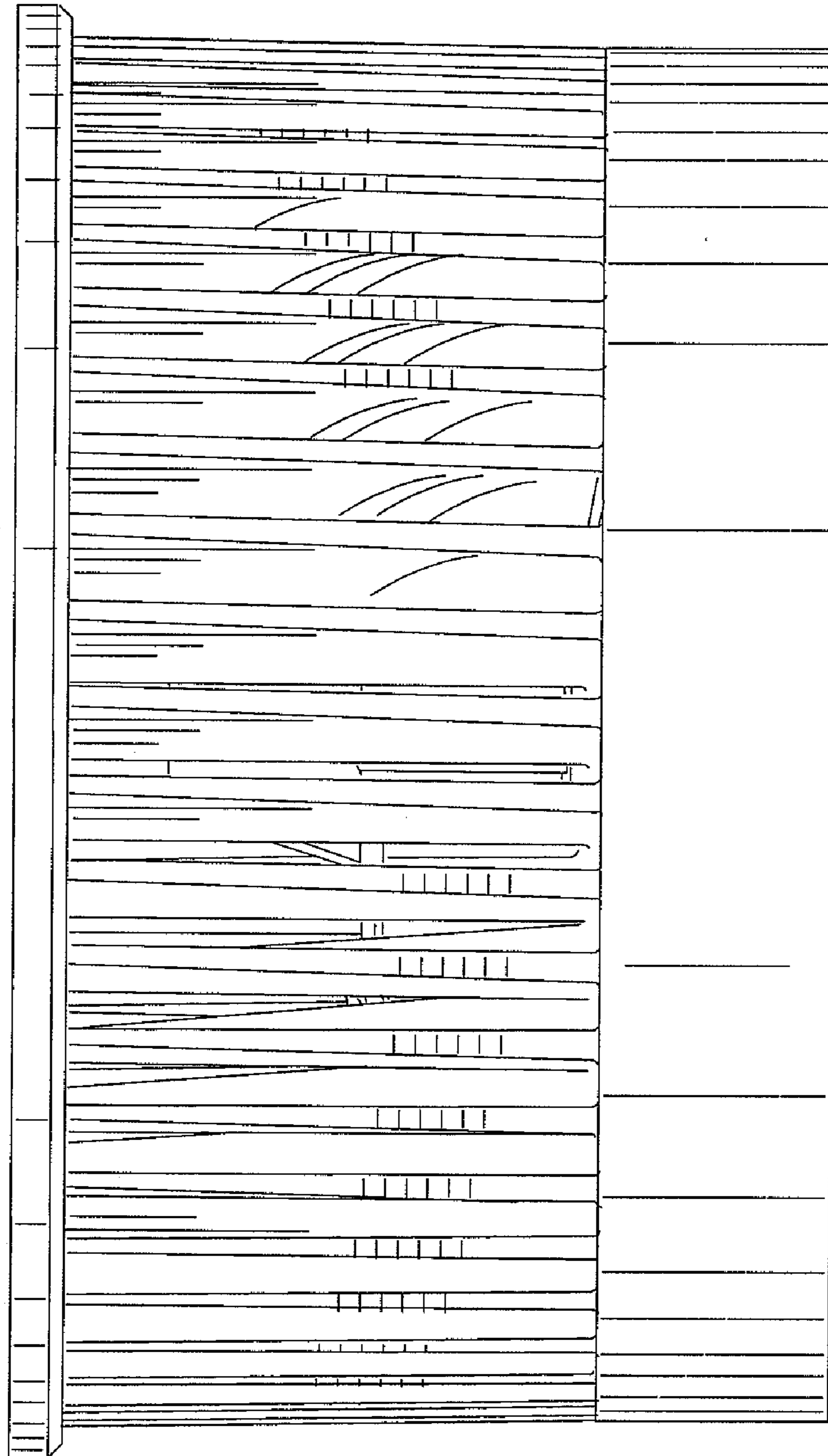


FIG. 8

