



US00D561317S

(12) **United States Design Patent**
Ou et al.

(10) **Patent No.:** **US D561,317 S**

(45) **Date of Patent:** **** Feb. 5, 2008**

(54) **ELECTRIC HEATER**

(76) Inventors: **XiangHao Ou**, Huaxin Village,
Gangdong, Guzhen Town, Zhongshan
City, Guangdong (CN); **JianXin Ou**, 2#
Mindong Village, Guzhen Town,
Zhongshan City, Guangdong (CN)

(**) Term: **14 Years**

(21) Appl. No.: **29/264,520**

(22) Filed: **Aug. 14, 2006**

(30) **Foreign Application Priority Data**

Jul. 31, 2006 (CN) 2006 3 0017745

(51) **LOC (8) Cl.** **23-03**

(52) **U.S. Cl.** **D23/344**

(58) **Field of Classification Search** D23/314,
D23/332, 335-350; 126/110 B, 90 A, 92 A,
126/500, 544, 547; 392/360, 365-369, 373-376;
312/326; 431/125

See application file for complete search history.

(56) **References Cited**

U.S. PATENT DOCUMENTS

D270,858 S *	10/1983	McInnes	D23/344
5,377,666 A *	1/1995	Whitehouse	126/500
5,399,084 A *	3/1995	McCullough et al.	431/125
D410,075 S *	5/1999	Wilson	D23/339
D411,293 S *	6/1999	Lipperini	D23/342
D453,213 S *	1/2002	Wilson	D23/339
D475,443 S *	6/2003	Wilson	D23/339
6,880,275 B2 *	4/2005	Mix et al.	40/428

2005/0076903 A1* 4/2005 Briere 126/503
2006/0003276 A1* 1/2006 Bachinski et al. 431/125

OTHER PUBLICATIONS

<http://www.electric-fire.com/product/fireplace-electric-fire.htm> cre-
ated Sep. 30, 2004.*

* cited by examiner

Primary Examiner—Ian Simmons

Assistant Examiner—Eric L Goodman

(74) *Attorney, Agent, or Firm*—Raymond Y. Chan; David
and Raymond Patent Firm

(57) **CLAIM**

The ornamental design for an electric heater, as shown and
described.

DESCRIPTION

FIG. 1 is a perspective view of electric heater showing my
new design.

FIG. 2 is a front view thereof.

FIG. 3 is a rear view thereof.

FIG. 4 is a right end view thereof.

FIG. 5 is a left end view thereof.

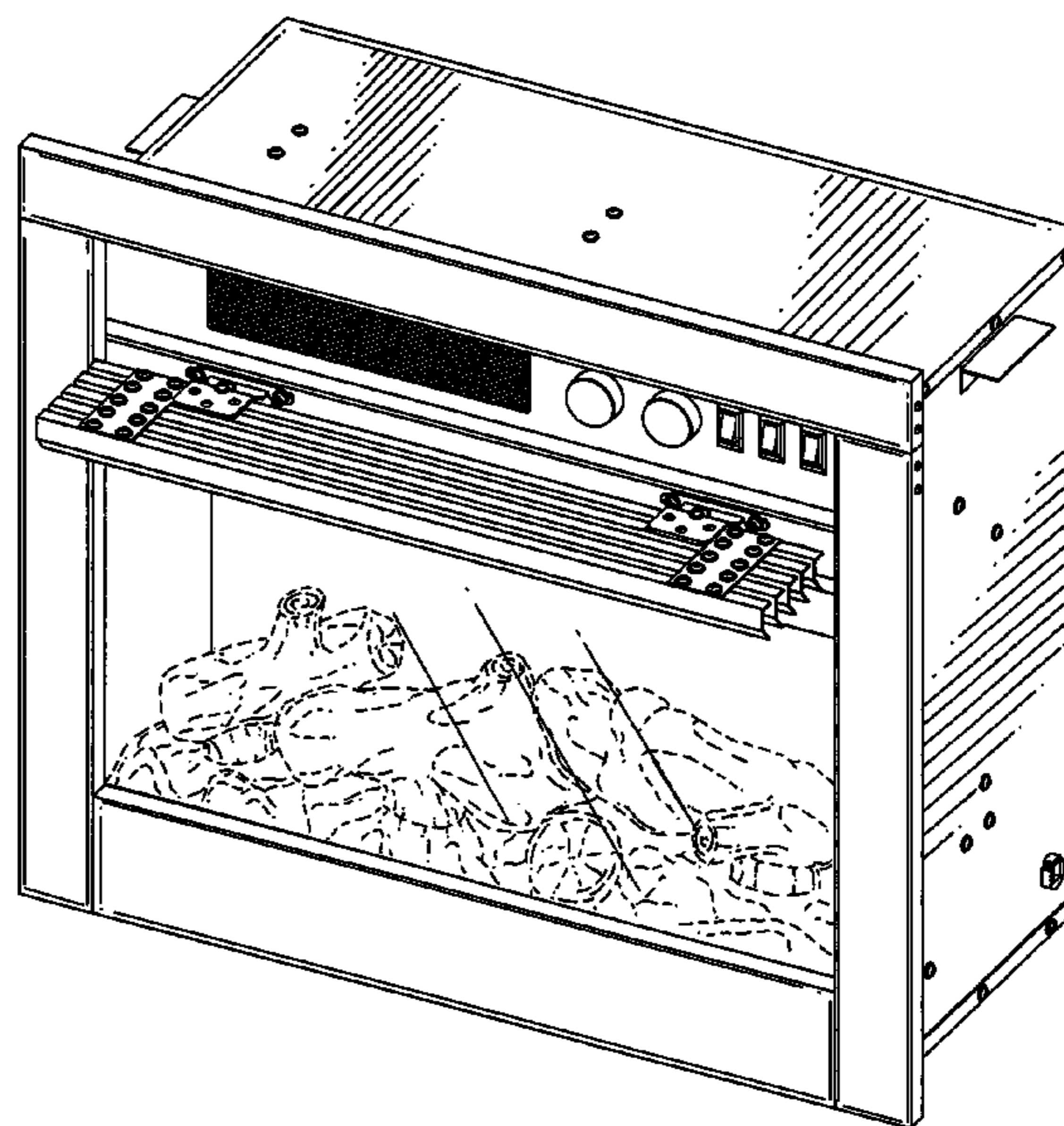
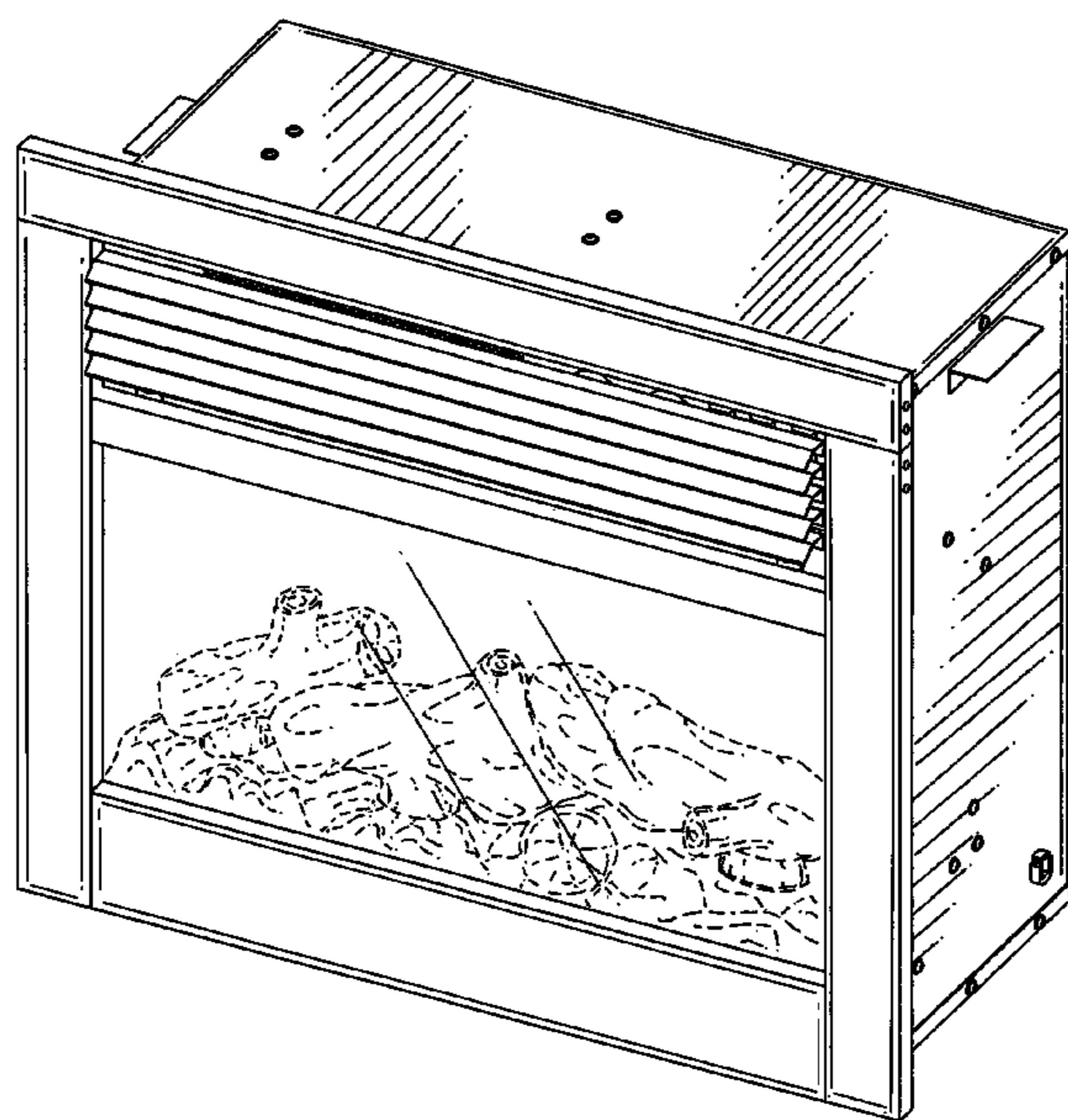
FIG. 6 is a top view thereof.

FIG. 7 is a bottom view thereof; and,

FIG. 8 is a perspective view of the opened case thereof.

The broken line showing is included for the purpose of
illustrating portions of the article and forms no part of the
claimed design.

1 Claim, 8 Drawing Sheets



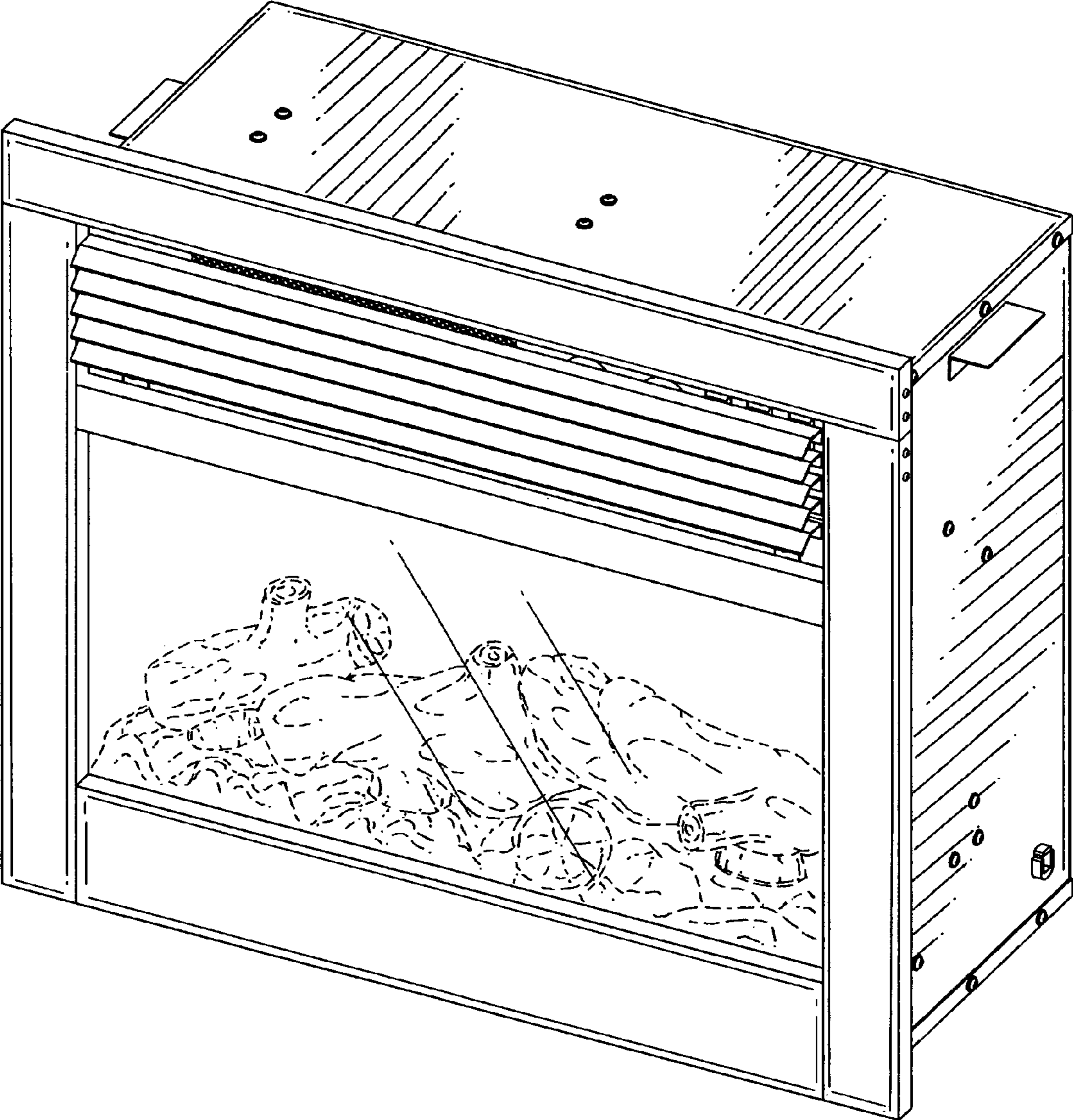


FIG. 1

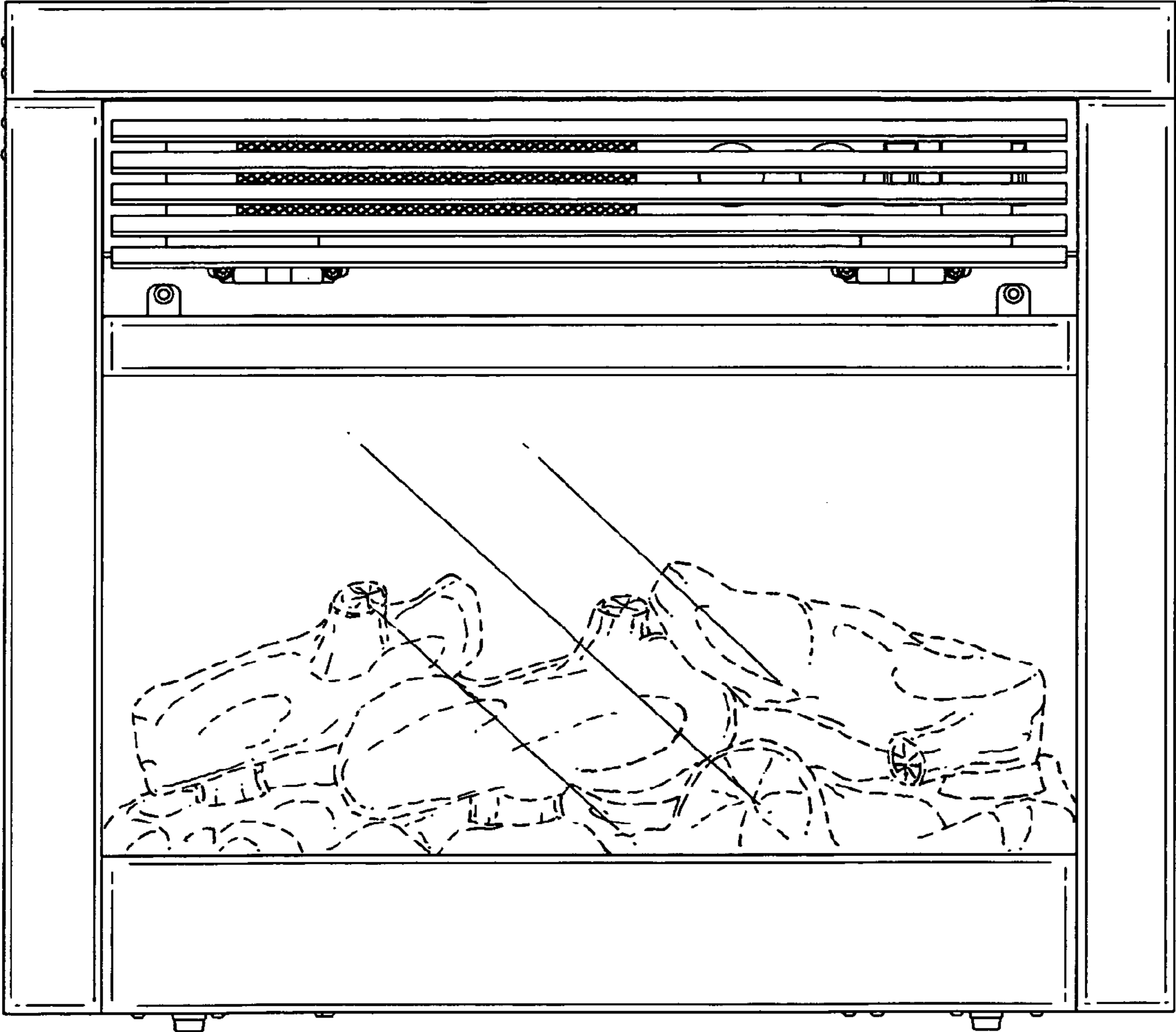


FIG.2

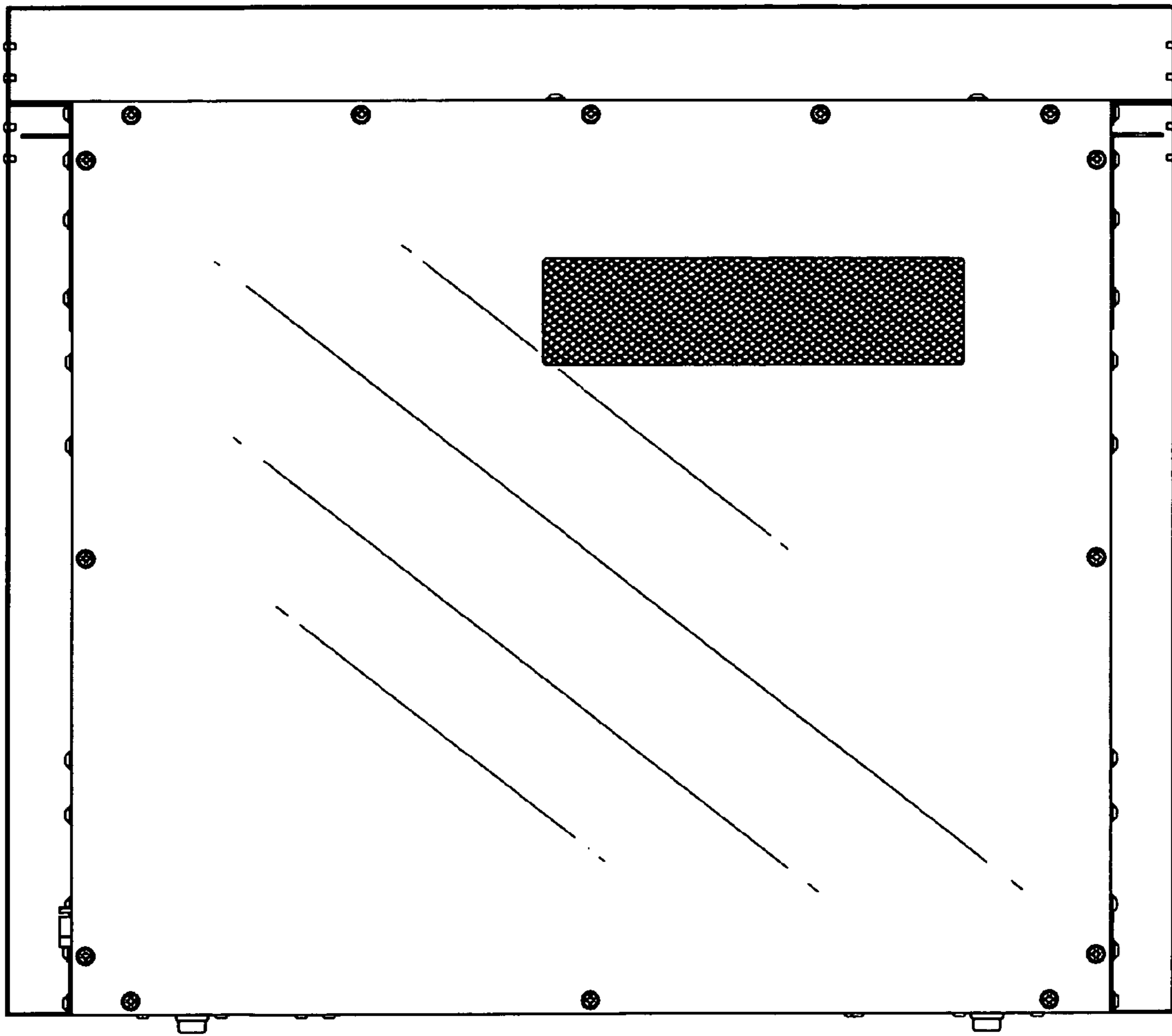


FIG.3

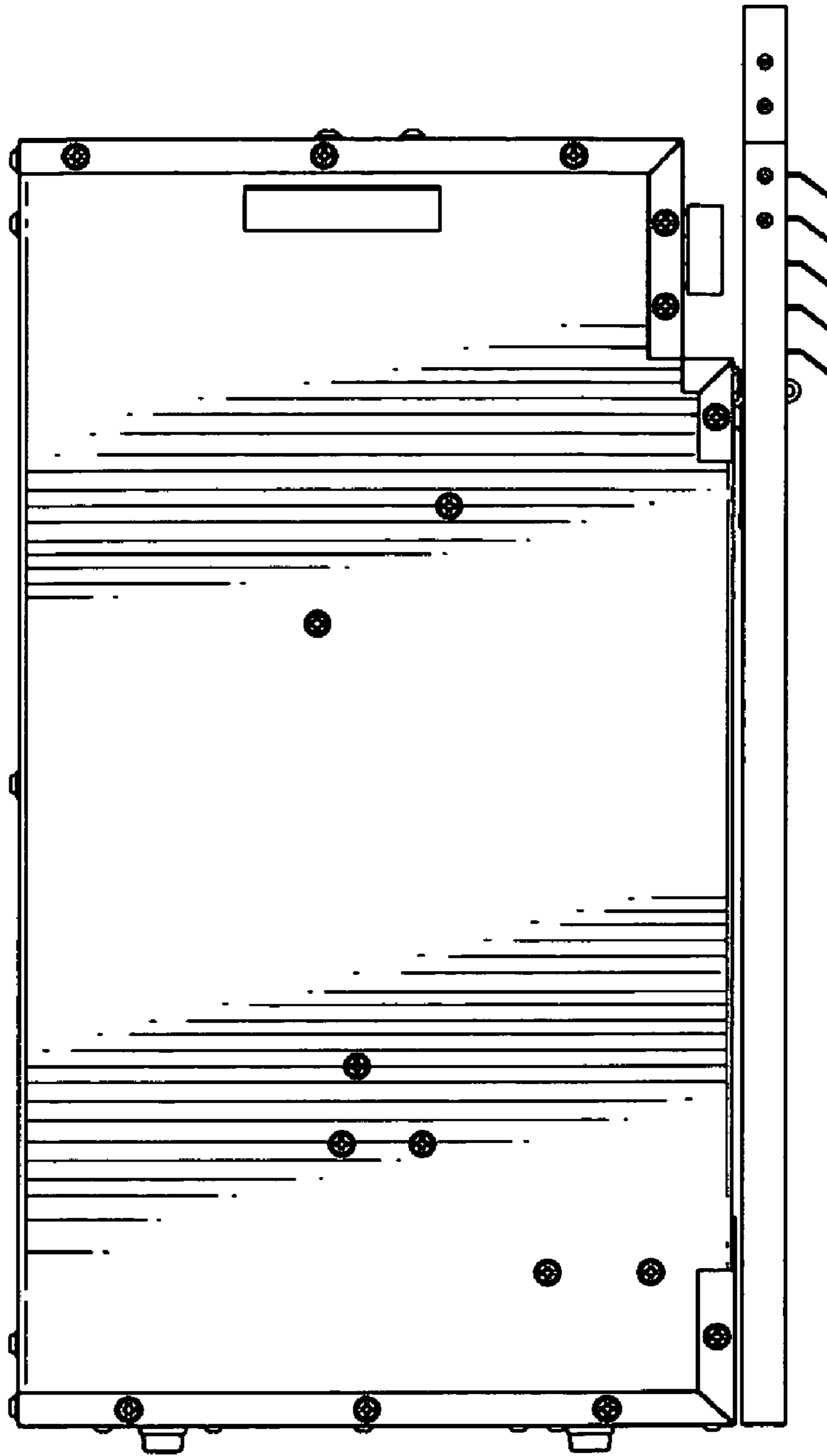


FIG.4

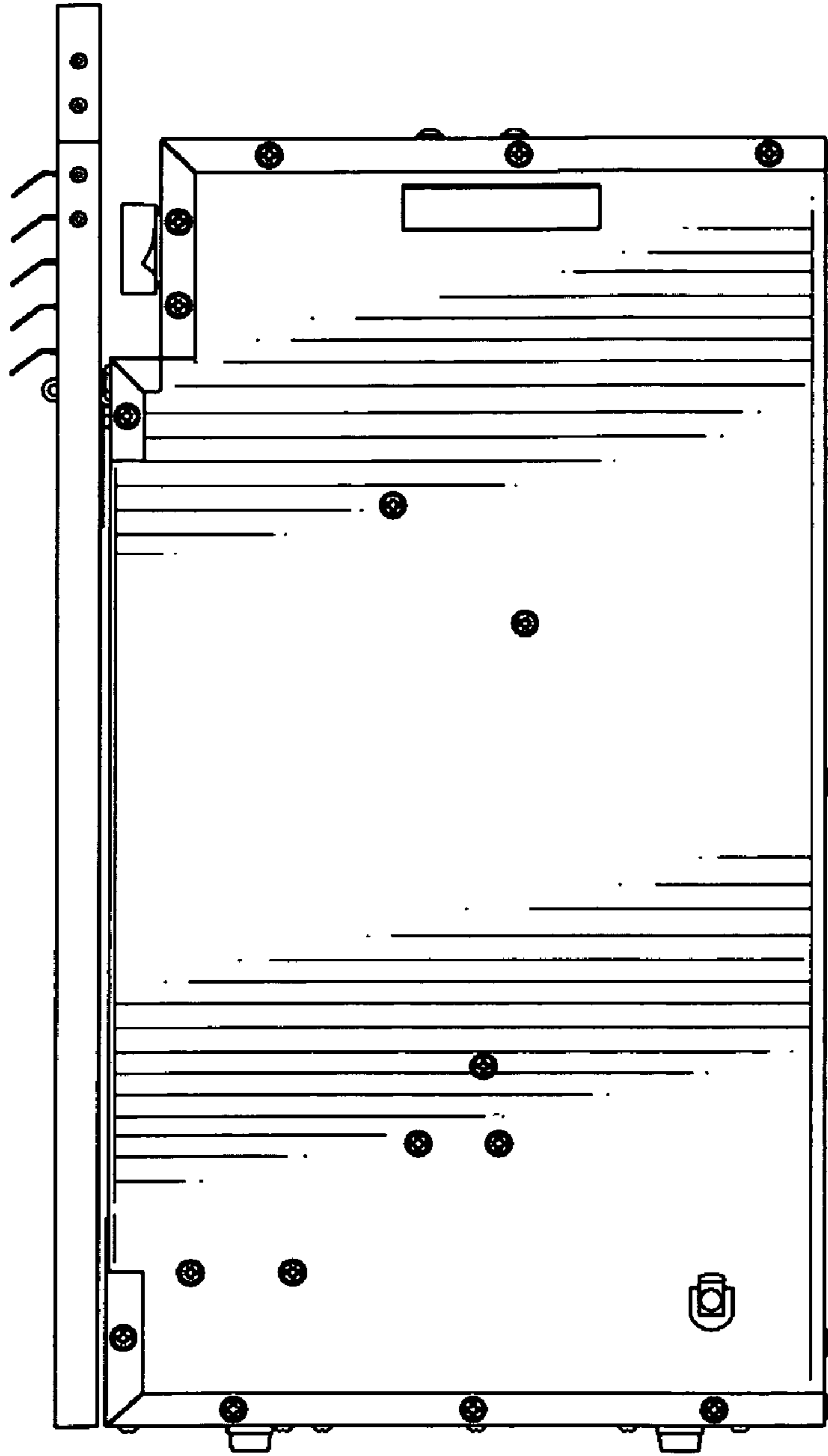


FIG. 5

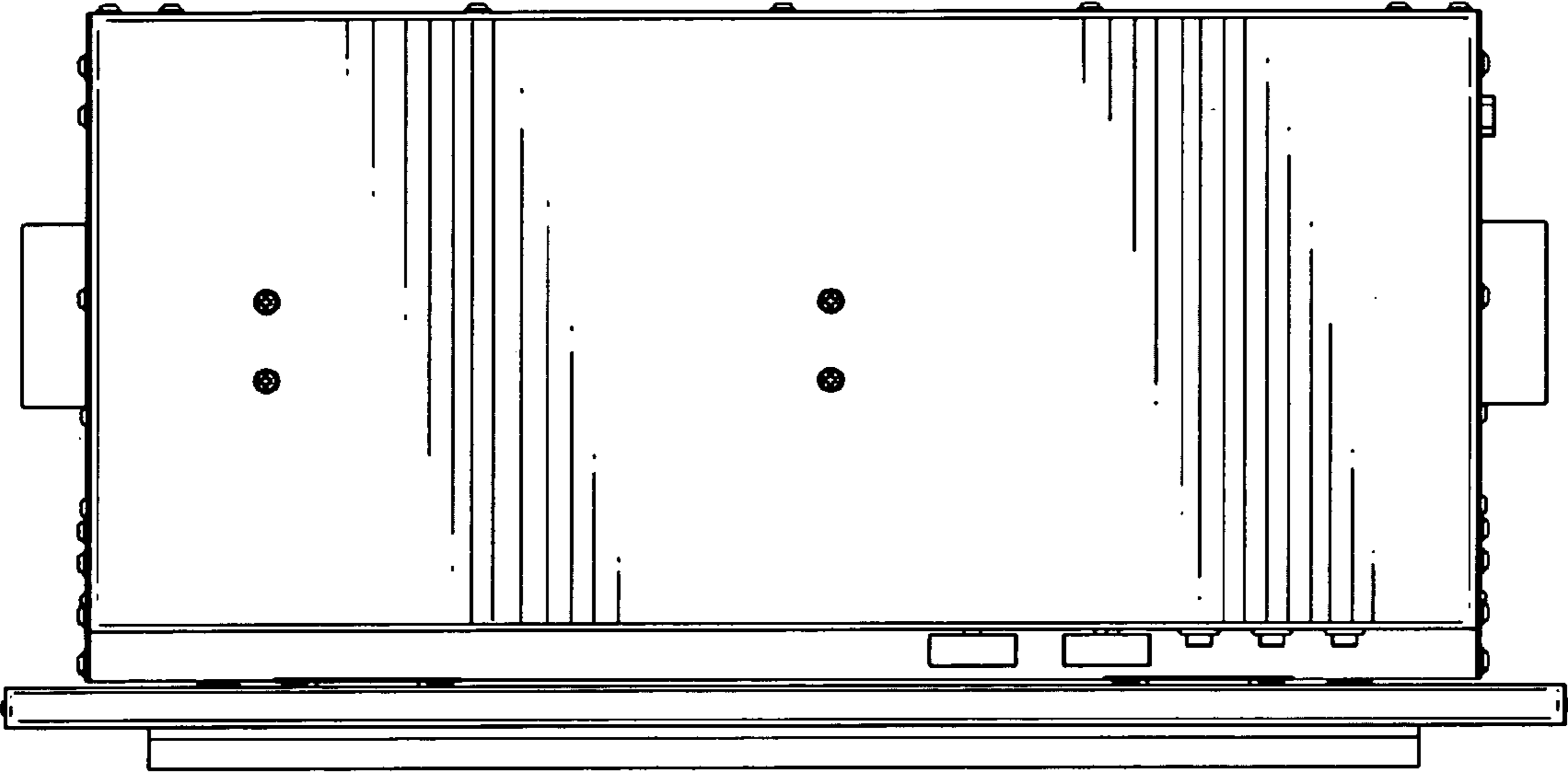


FIG.6

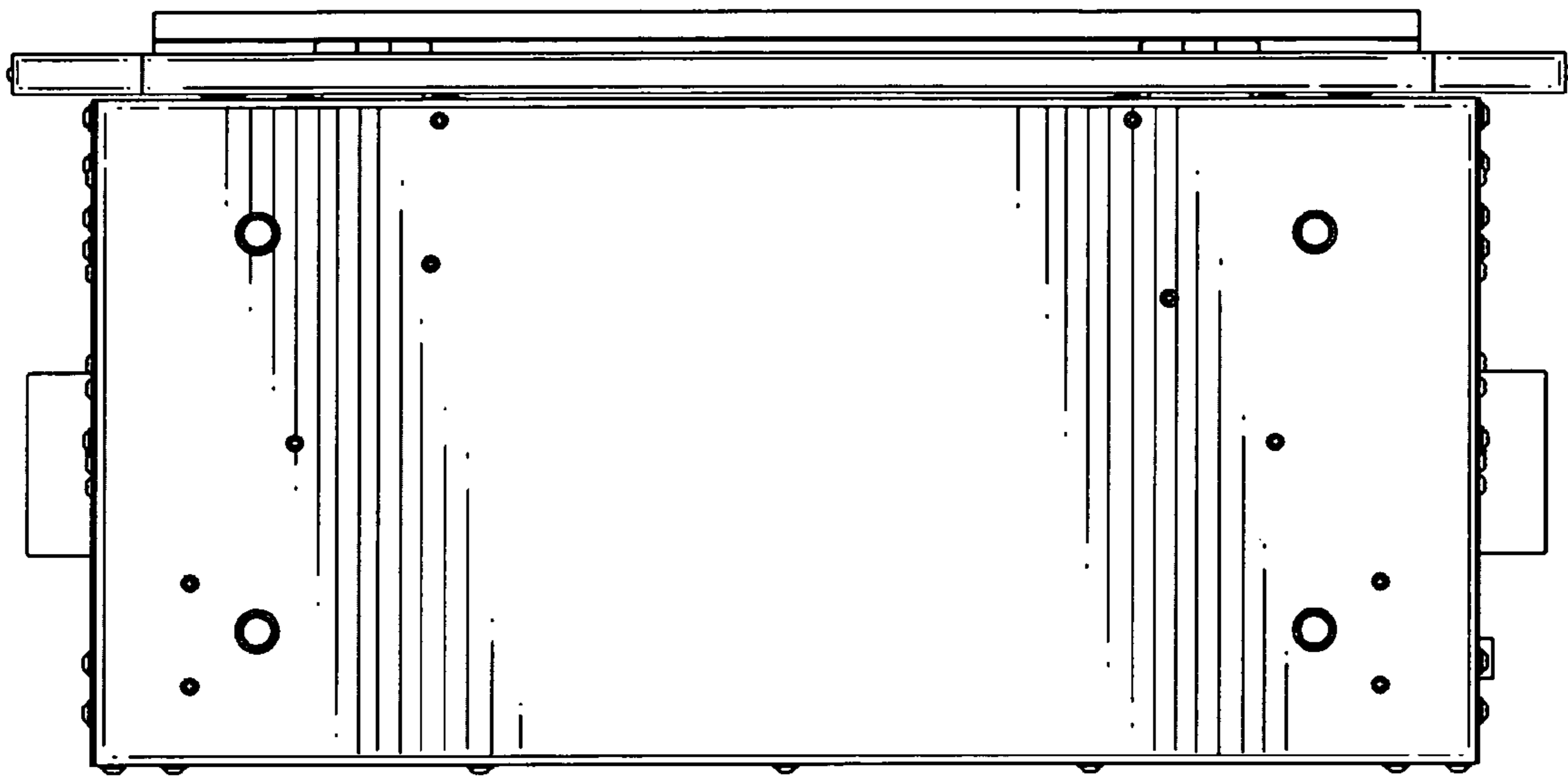


FIG.7

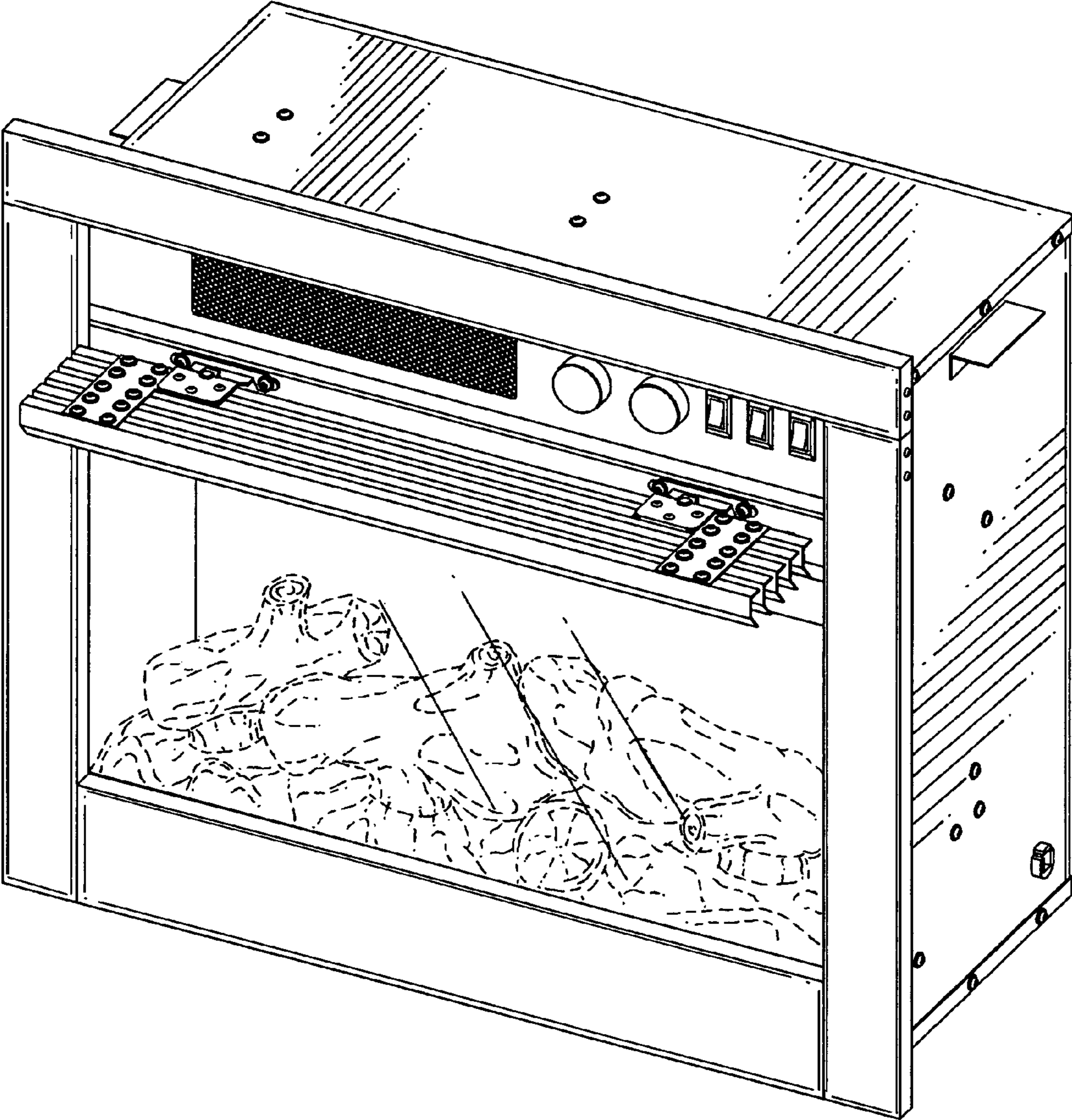


FIG.8