

US00D561312S

(12) **United States Design Patent**
Webb

(10) **Patent No.:** **US D561,312 S**

(45) **Date of Patent:** **** Feb. 5, 2008**

(54) **SHORT LIPPED SINK**

D548,312 S * 8/2007 Spangler D23/290

(76) **Inventor:** **Paul K. Webb**, 125 Industrial Park Dr.,
Soddy Daisy, TN (US) 37379

* cited by examiner

Primary Examiner—Robert A. Delehanty

(**) **Term:** **14 Years**

(74) *Attorney, Agent, or Firm*—Stephen J. Stark; Miller &
Martin PLLC

(21) **Appl. No.:** **29/271,670**

(57) **CLAIM**

(22) **Filed:** **Jan. 24, 2007**

The ornamental design for a short lipped sink, as shown and
described herein.

(51) **LOC (8) Cl.** **23-02**

(52) **U.S. Cl.** **D23/290**

(58) **Field of Classification Search** D23/271–274,
D23/284–293.1, 303, 308; 4/619, 624, 661
See application file for complete search history.

DESCRIPTION

FIG. 1 is a perspective view of a sink;

FIG. 2 is a top elevational view thereof;

FIG. 3 is a front elevational view thereof; the back being a
similar image thereof;

(56) **References Cited**

U.S. PATENT DOCUMENTS

D147,819 S * 11/1947 Smith D23/290

D328,339 S * 7/1992 Sauter et al. D23/290

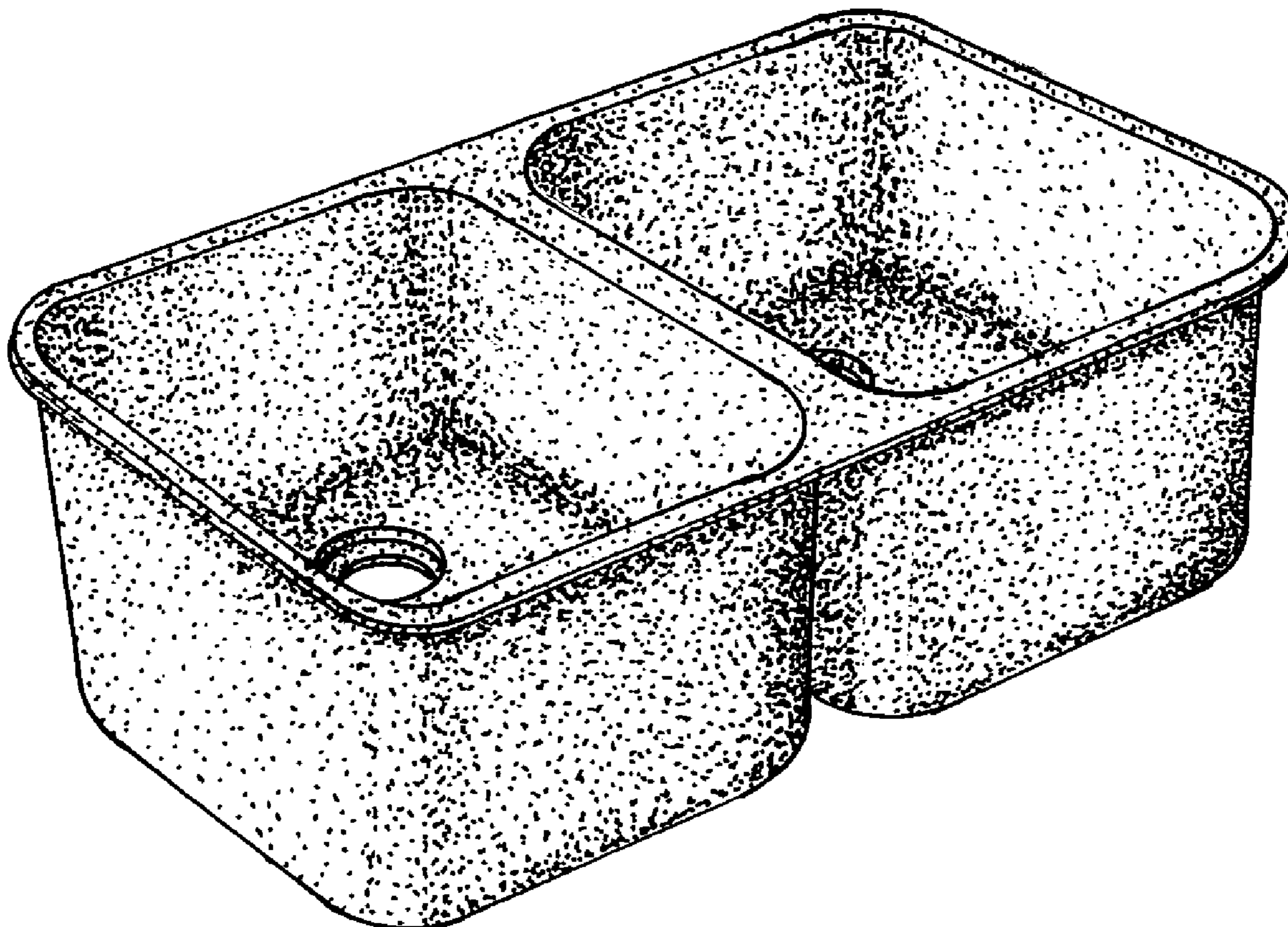
D502,764 S * 3/2005 Bayer et al. D23/290

D546,929 S * 7/2007 Schneider et al. D23/290

FIG. 4 is a right side elevational view thereof, the left side
being a mirror image thereof; and,

FIG. 5 is a bottom elevational view thereof.

1 Claim, 2 Drawing Sheets



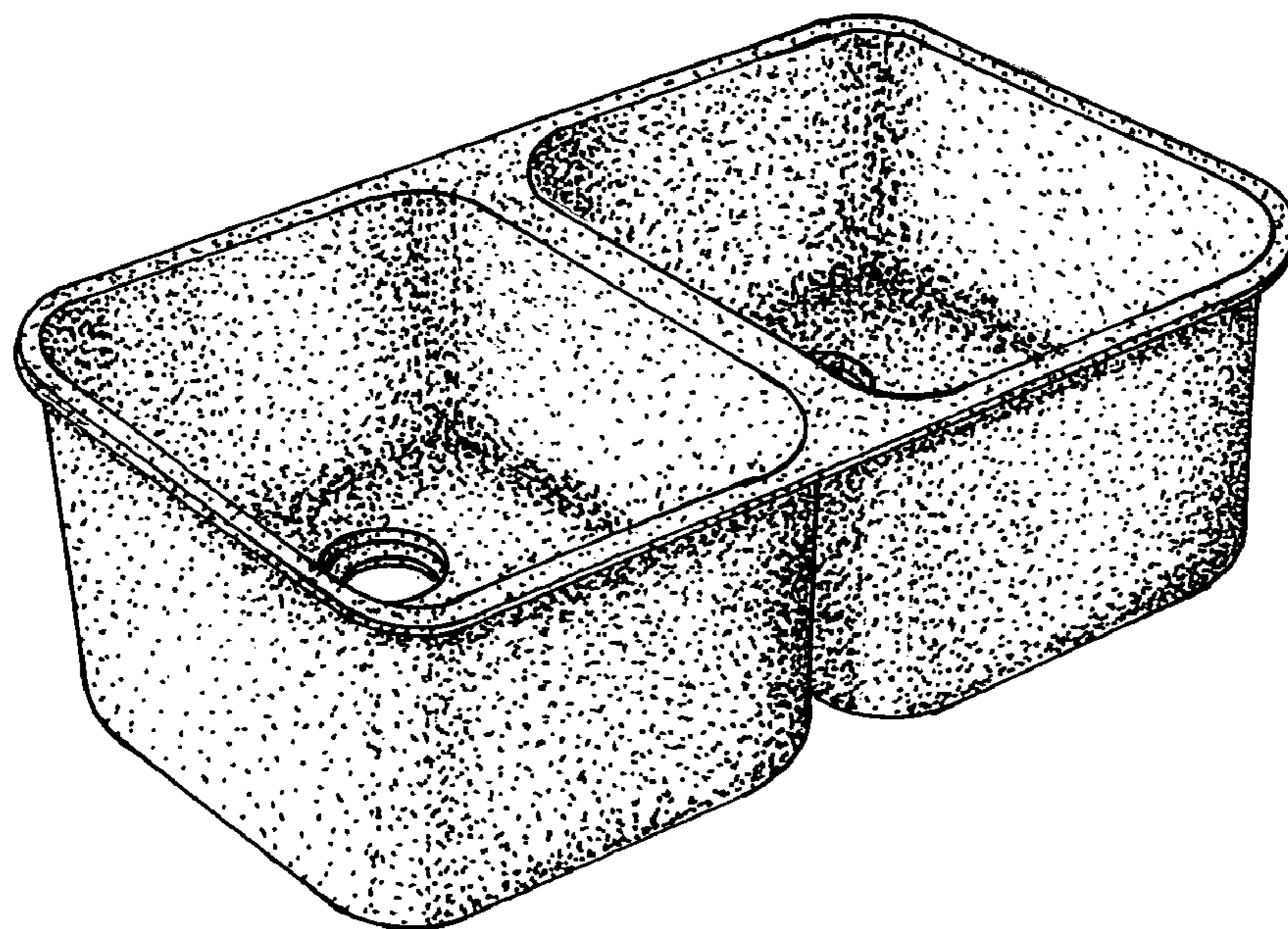


FIG. 1

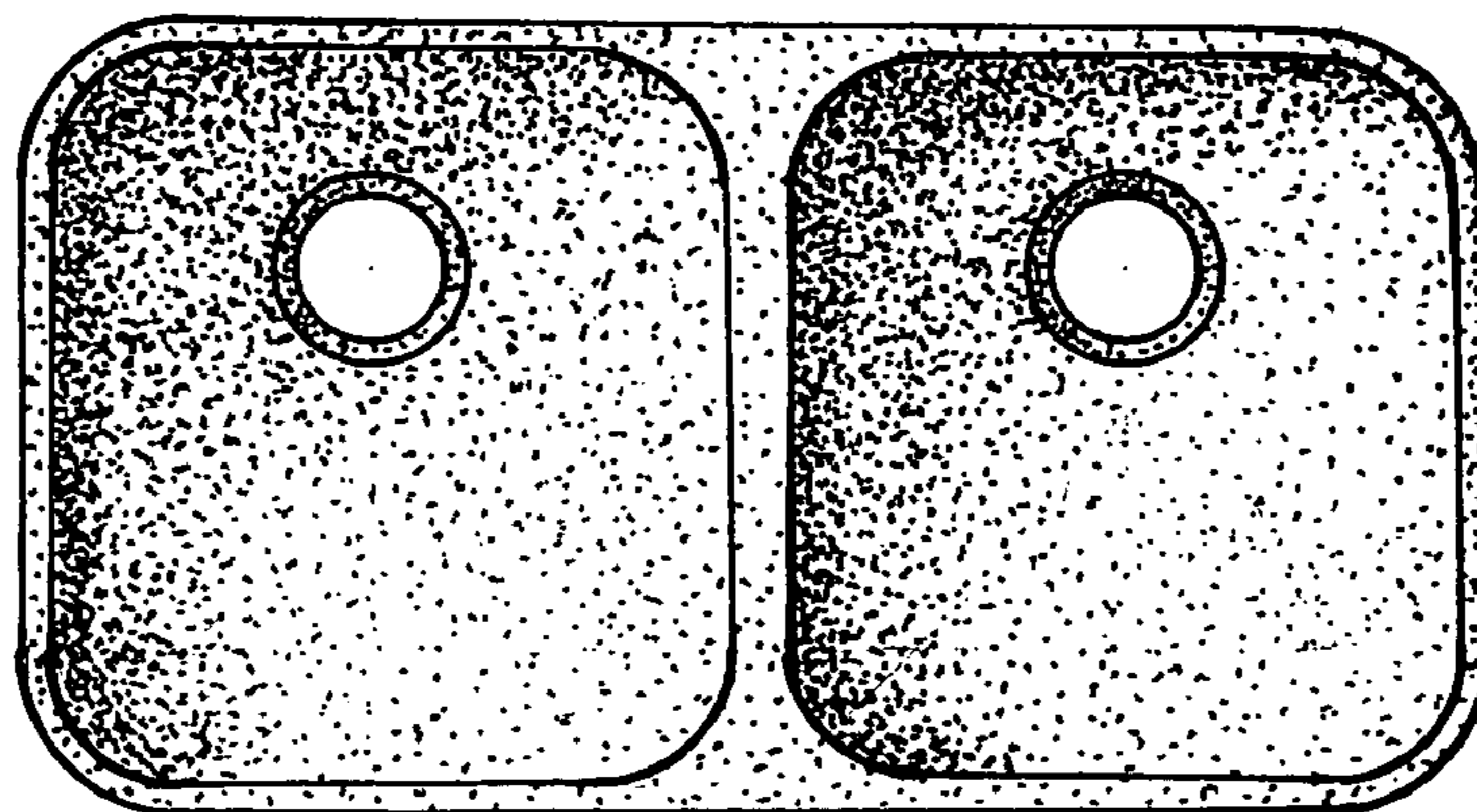


FIG. 2

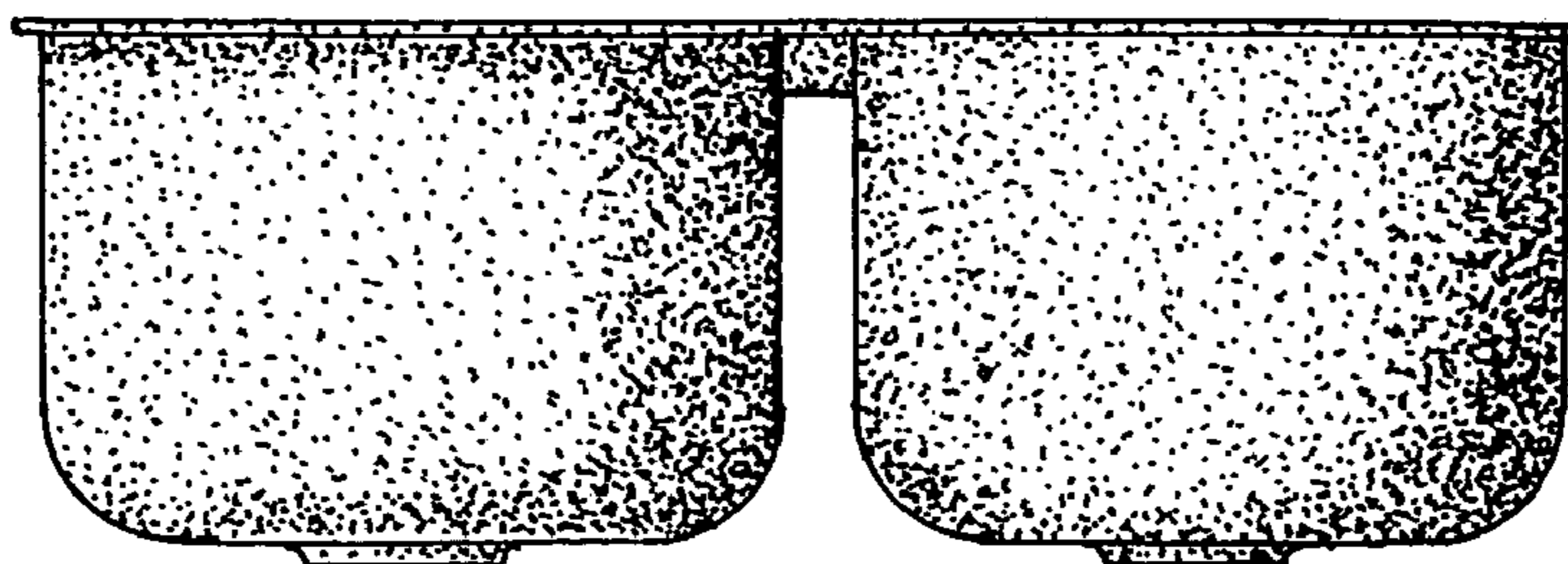


FIG. 3

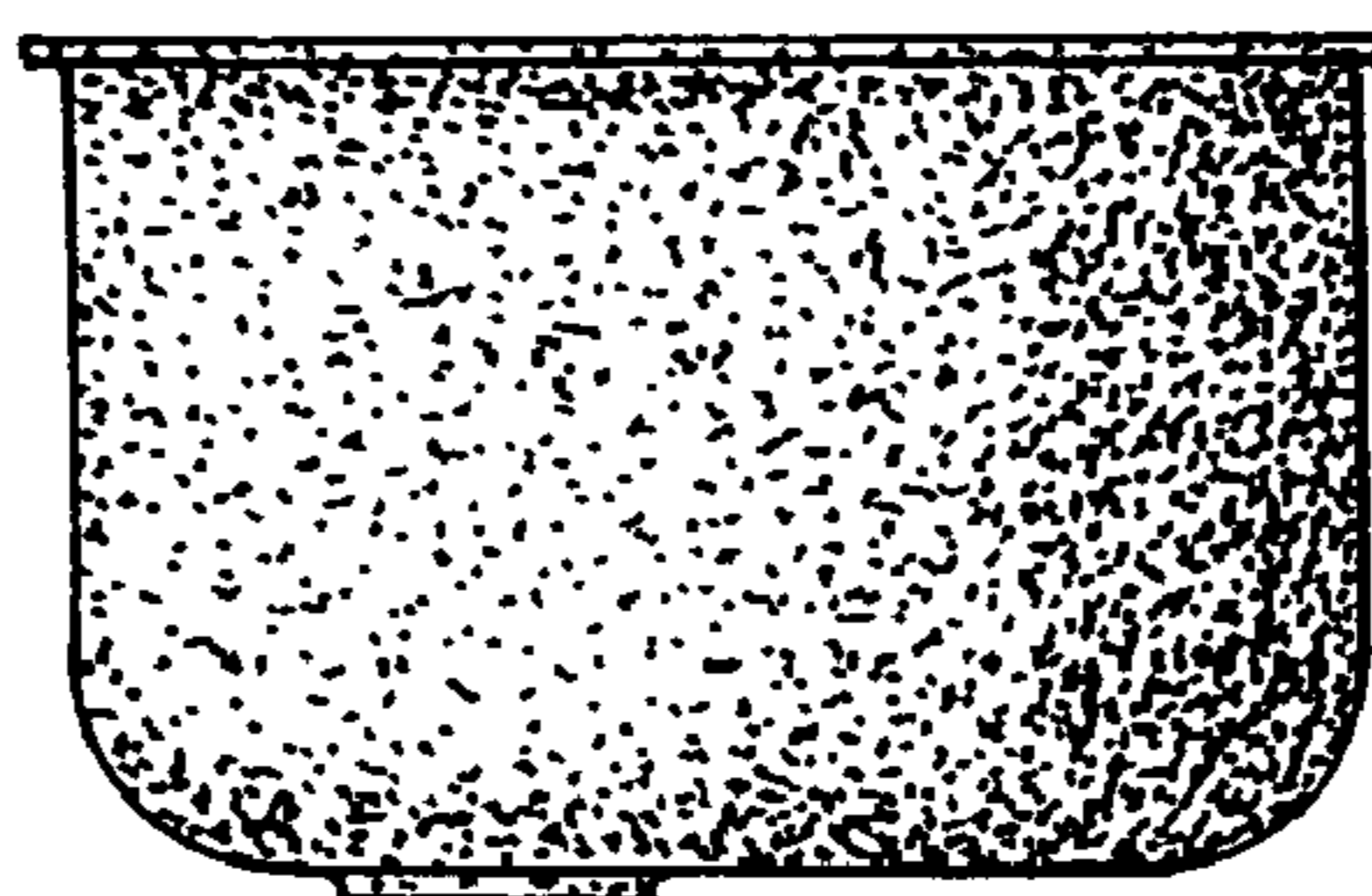


FIG. 4

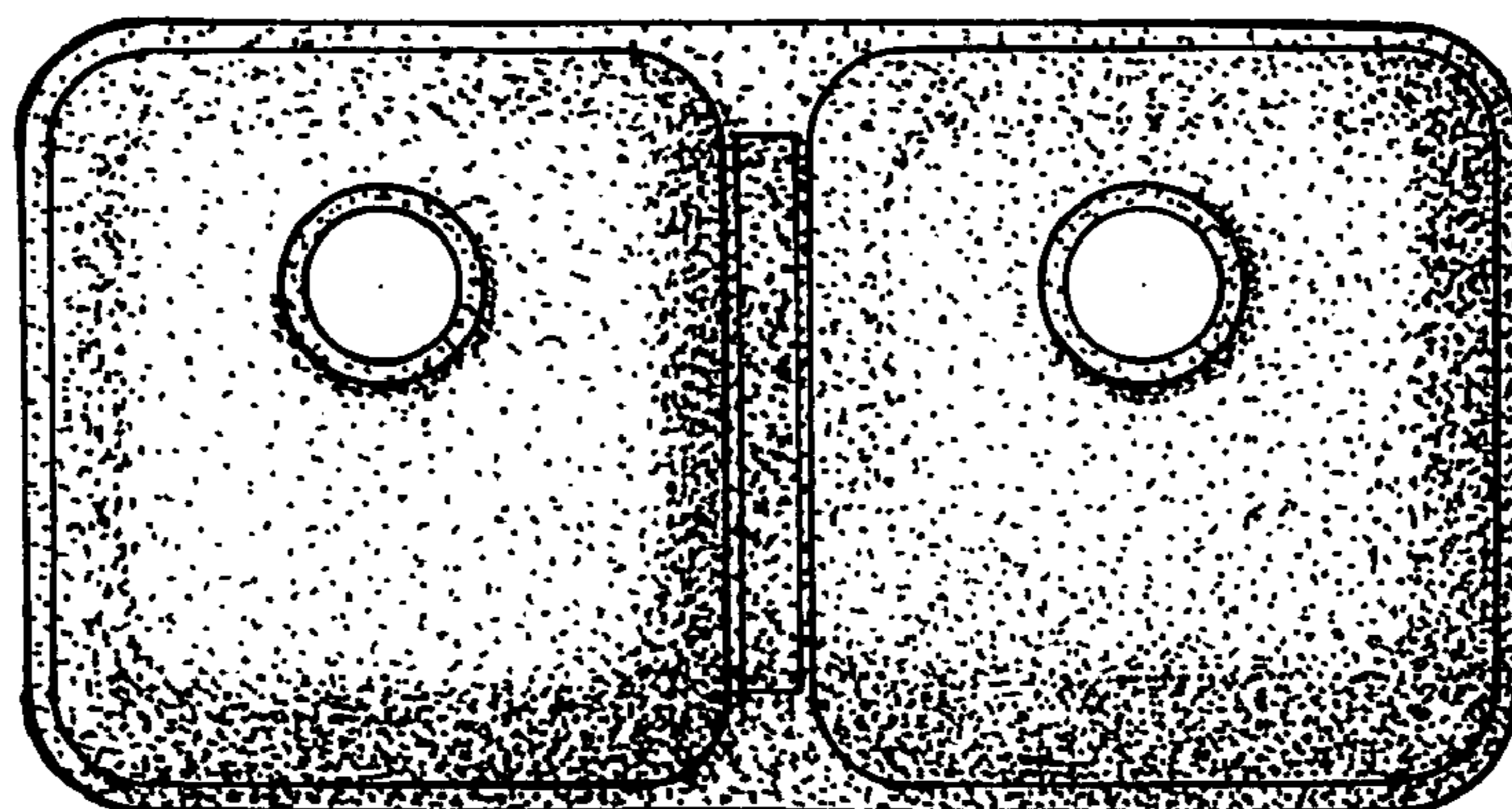


FIG. 5