

US00D561311S

(12) **United States Design Patent**  
**Koury et al.**

(10) **Patent No.:** **US D561,311 S**

(45) **Date of Patent:** **\*\* Feb. 5, 2008**

(54) **SHOWER SURROUND**

D525,690 S \* 7/2006 Helmsie ..... D23/304  
D546,425 S \* 7/2007 Hisey ..... D23/283

(75) Inventors: **Steffen Koury**, Everett, MA (US);  
**Jules Ko**, Cambridge, MA (US); **Paul K. Metaxatos**, Swampscott, MA (US)

\* cited by examiner

*Primary Examiner*—Robert A. Delehanty

(73) Assignee: **American Shower & Bath Corporation**, Moorestown, NJ (US)

(74) *Attorney, Agent, or Firm*—Nirav D. Parikh; Lloyd D. Doigan

(\*\*) Term: **14 Years**

(57) **CLAIM**

(21) Appl. No.: **29/286,149**

An ornamental design for a shower surround, as shown and described.

(22) Filed: **Apr. 24, 2007**

**DESCRIPTION**

(51) **LOC (8) Cl.** ..... **23-02**

FIG. 1 is a perspective view of the shower surround showing our new design;

(52) **U.S. Cl.** ..... **D23/283**

FIG. 2 is a front elevational view thereof;

(58) **Field of Classification Search** ..... D23/271,  
D23/273, 275, 283, 303–306; 4/546, 552,  
4/596–597, 612–614

FIG. 3 is a top plan view thereof;

FIG. 4 is a right side view thereof; and,

FIG. 5 is a left side view thereof.

See application file for complete search history.

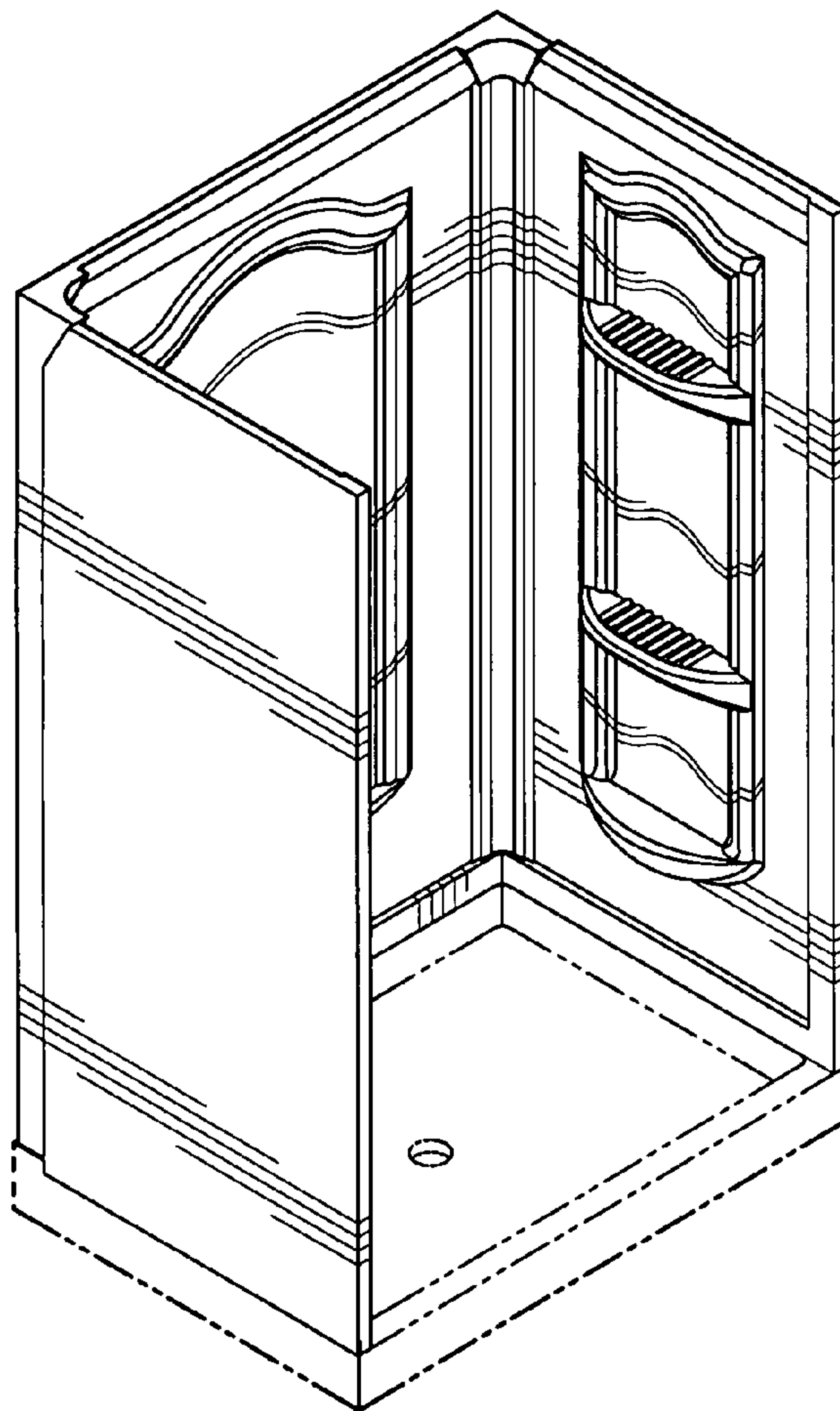
The broken lines showing of the shower base and drain is for illustrative purposes only and forms no part of the claimed design.

(56) **References Cited**

U.S. PATENT DOCUMENTS

D252,944 S \* 9/1979 Chisholm et al. .... D23/305  
D365,385 S \* 12/1995 Hunger et al. .... D23/283

**1 Claim, 2 Drawing Sheets**



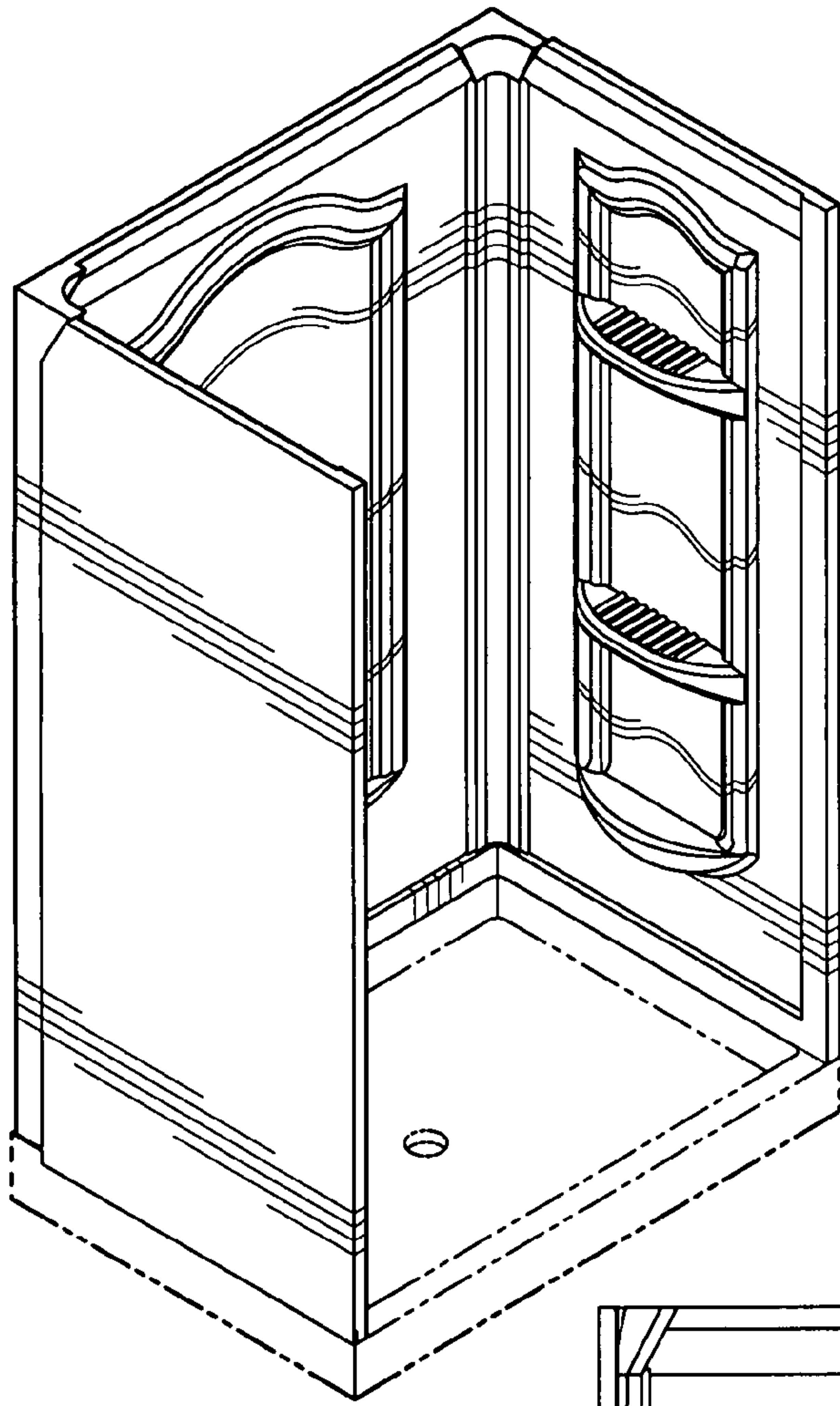


Fig-1

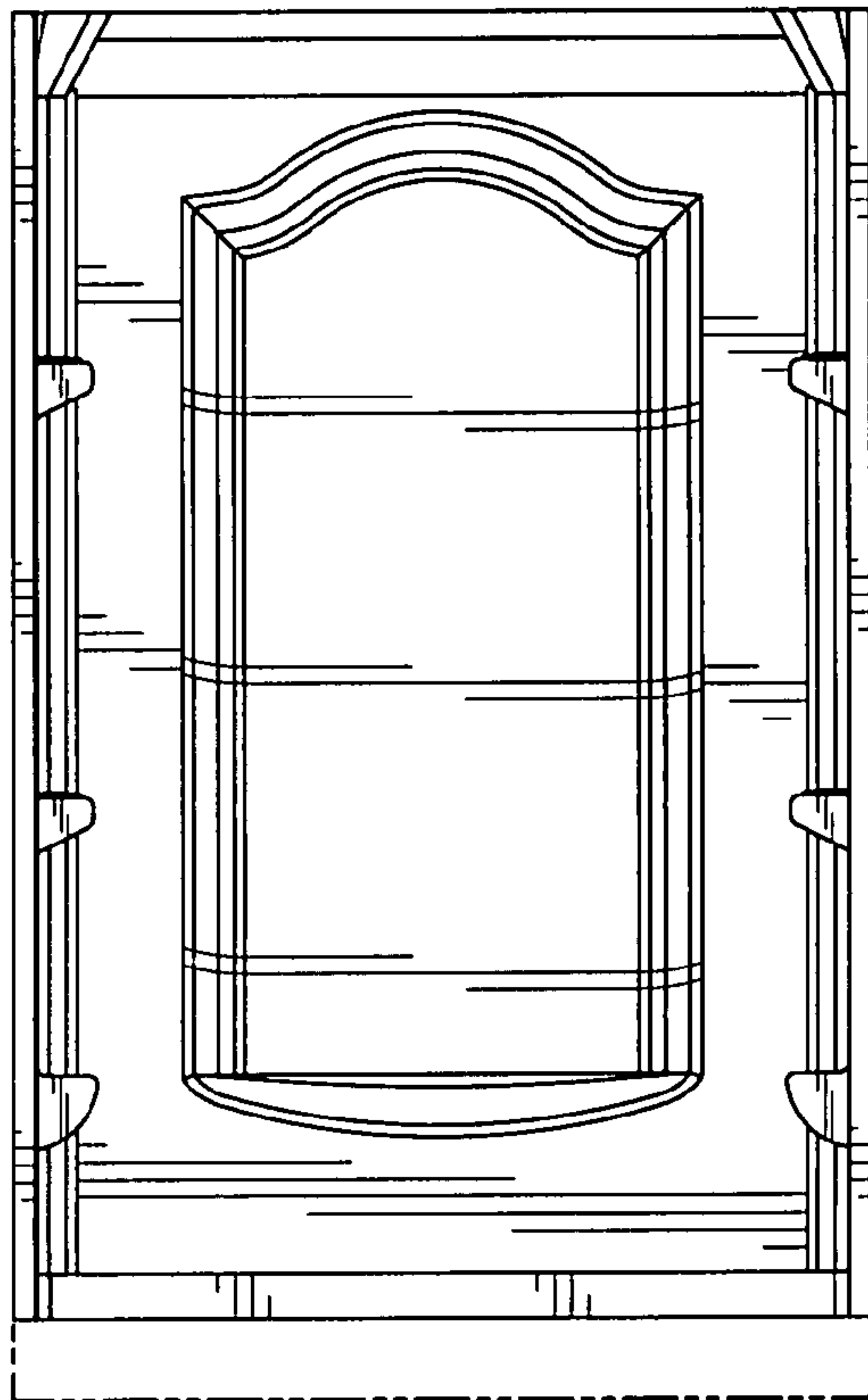
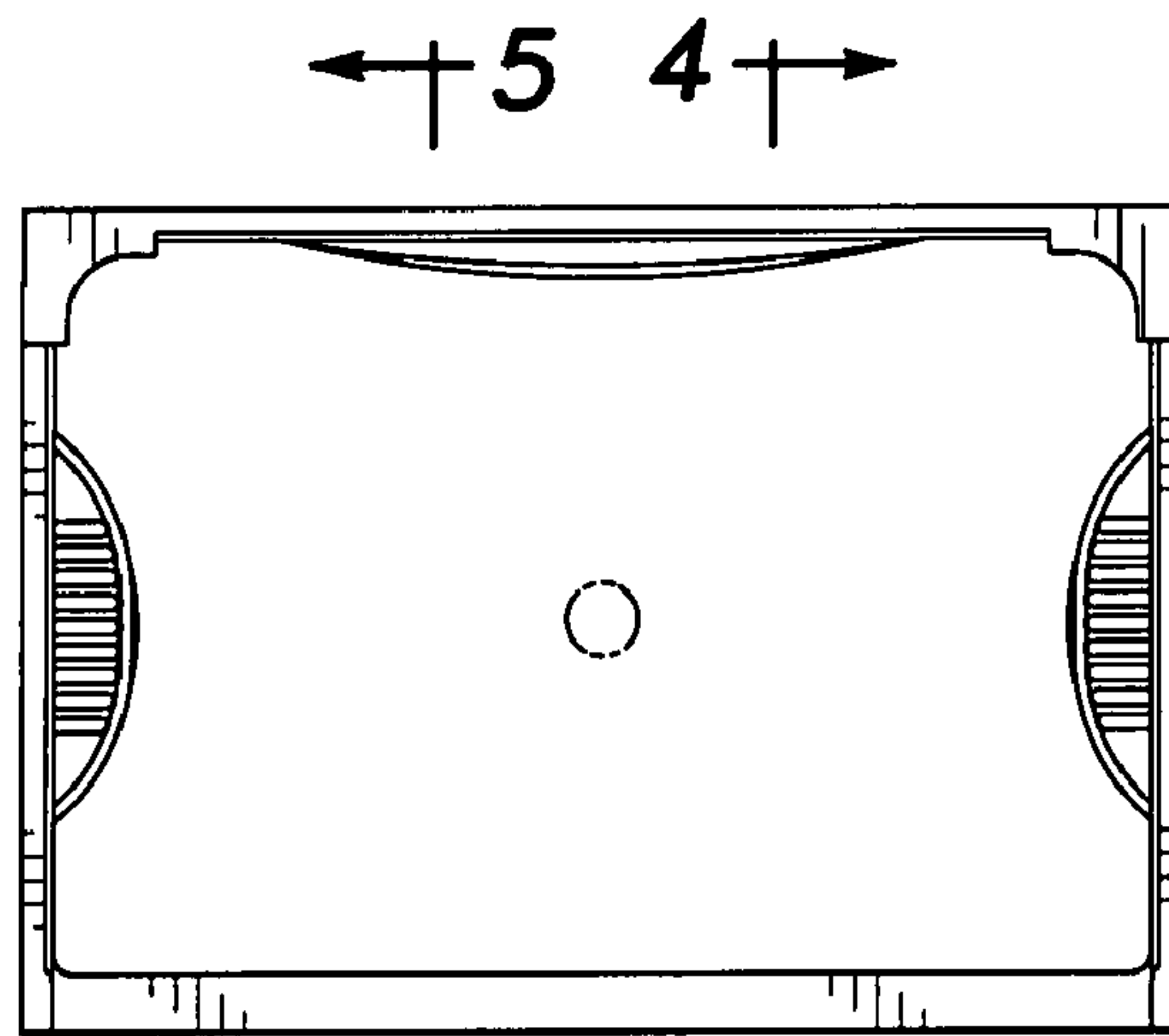


Fig-2



← 5 4 →  
Fig-3

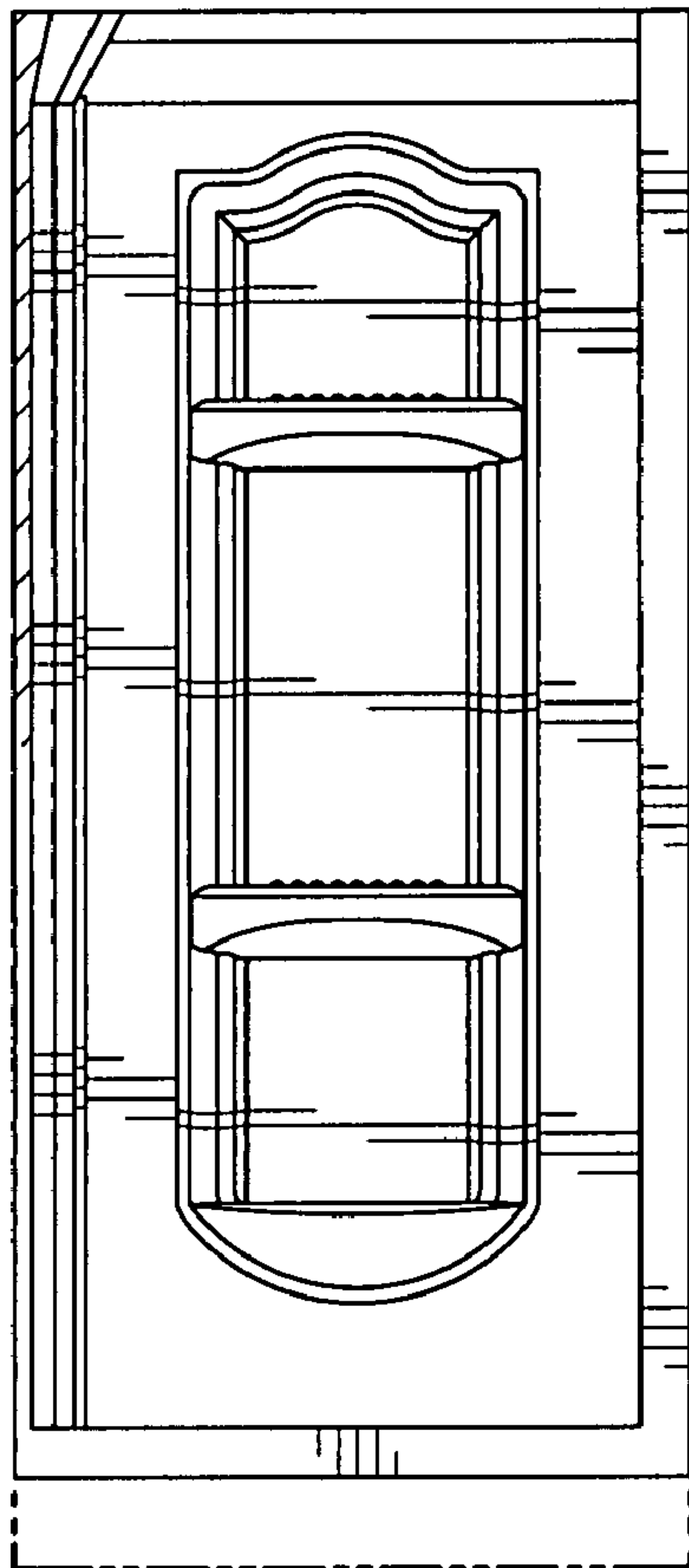


Fig-4

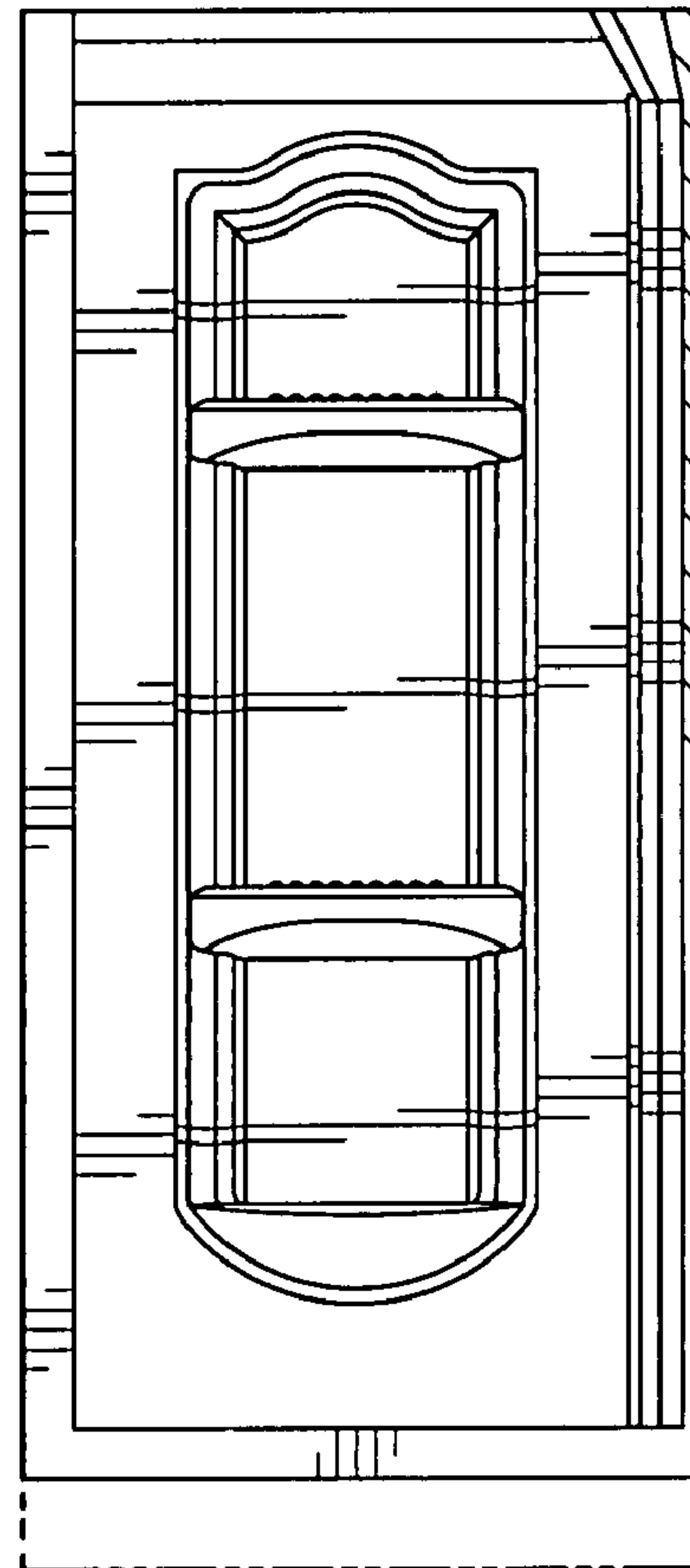


Fig-5