



US00D561310S

(12) **United States Design Patent**  
**Breymaier et al.**

(10) **Patent No.:** **US D561,310 S**

(45) **Date of Patent:** **\*\* Feb. 5, 2008**

(54) **SHOWER SURROUND**

(75) Inventors: **Robert S. Breymaier**, Adamsville, TN (US); **Cassidy D. Spaulding**, Bethel Springs, TN (US); **Bren Thomas**, Savannah, TN (US); **Larry W. Higgins**, Adamsville, TN (US)

(73) Assignee: **Aqua Glass Corporation**, Adamsville, TN (US)

(\*\*) Term: **14 Years**

(21) Appl. No.: **29/285,515**

(22) Filed: **Mar. 30, 2007**

(51) **LOC (8) Cl.** ..... **23-02**

(52) **U.S. Cl.** ..... **D23/283**

(58) **Field of Classification Search** ..... D23/271,  
D23/273, 275, 277, 280.1, 283, 303-306;  
4/546, 538, 552, 596-597, 612-614, 661;  
D24/204-205

See application file for complete search history.

(56) **References Cited**

**U.S. PATENT DOCUMENTS**

D215,289 S \* 9/1969 Seymour ..... D23/283  
D365,385 S \* 12/1995 Hunger et al. .... D23/283

D446,848 S \* 8/2001 Primucci ..... D23/305  
D532,089 S \* 11/2006 Hisey ..... D23/283

\* cited by examiner

*Primary Examiner*—Robert A. Delehanty  
(74) *Attorney, Agent, or Firm*—Nirav D. Parikh; Lloyd D. Doigan

(57) **CLAIM**

An ornamental design for a shower surround, as shown and described.

**DESCRIPTION**

FIG. 1 is a top front perspective view of the shower surround showing the left side of our new design;

FIG. 2 is a top front perspective view of the shower surround showing the right side thereof;

FIG. 3 is a front elevational view thereof;

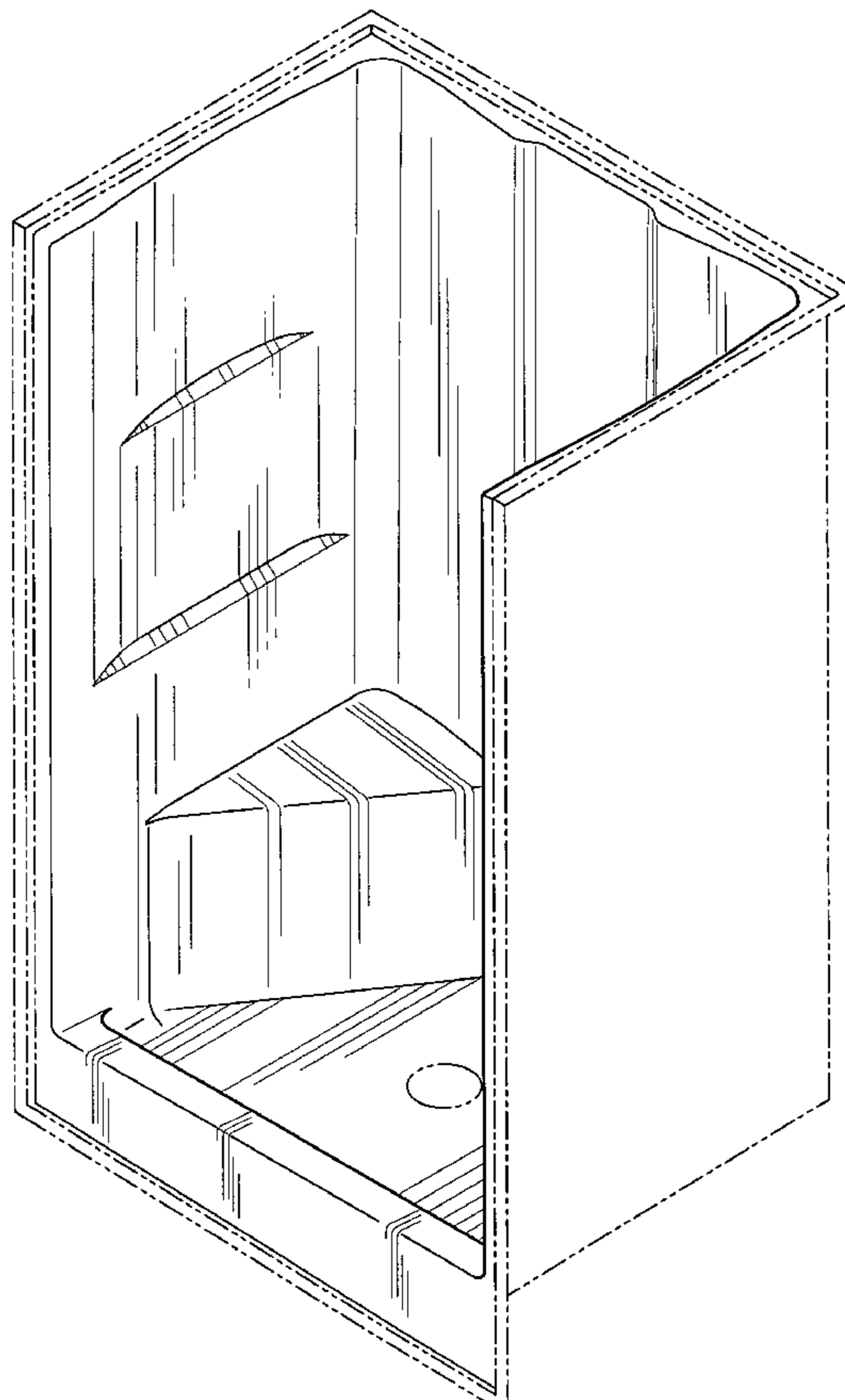
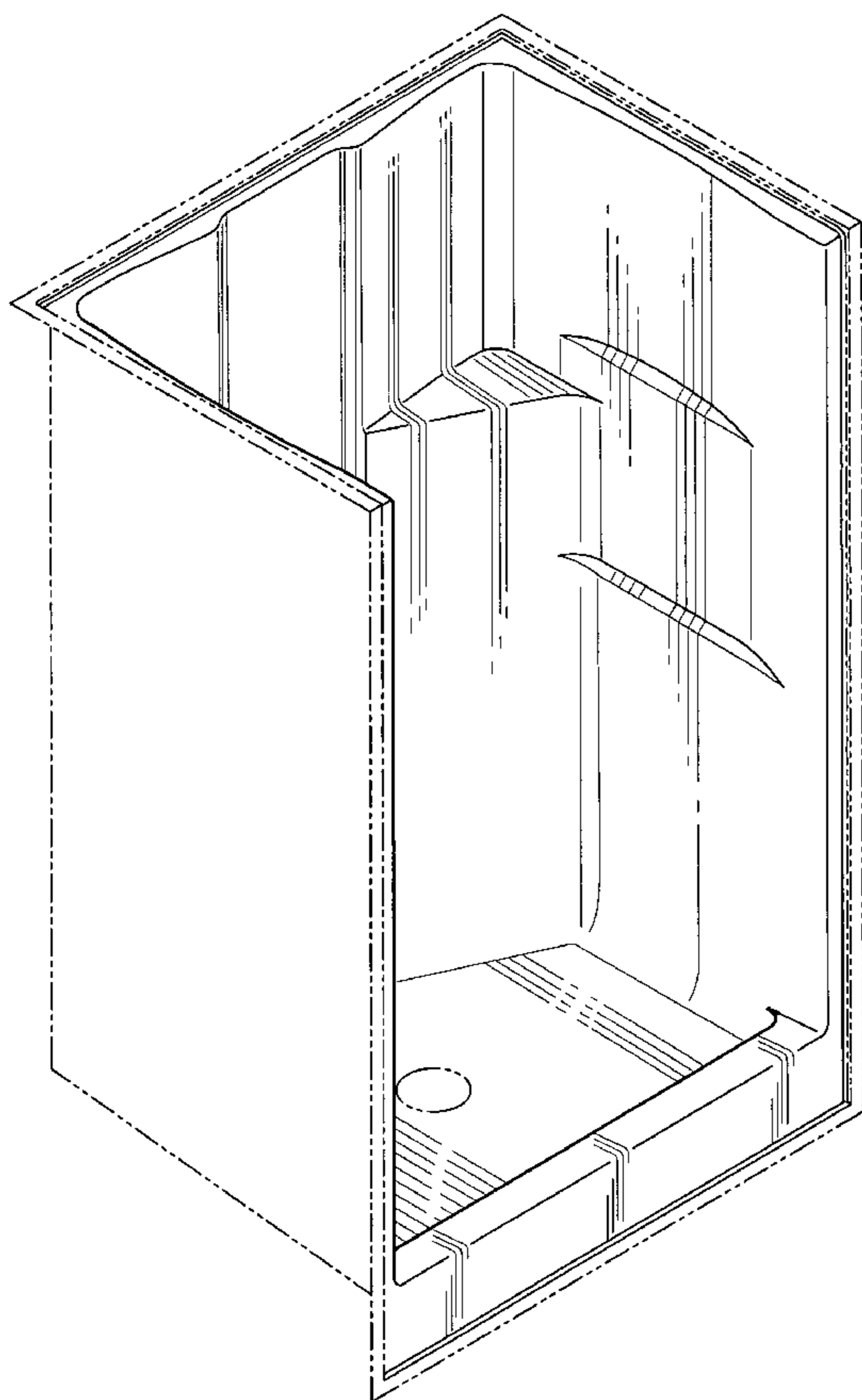
FIG. 4 is a top plan view thereof;

FIG. 5 is a right side view thereof; and,

FIG. 6 is a left side view thereof.

The broken lines showing of a plumbing drain is for illustrative purposes only and forms no part of the claimed design.

**1 Claim, 6 Drawing Sheets**



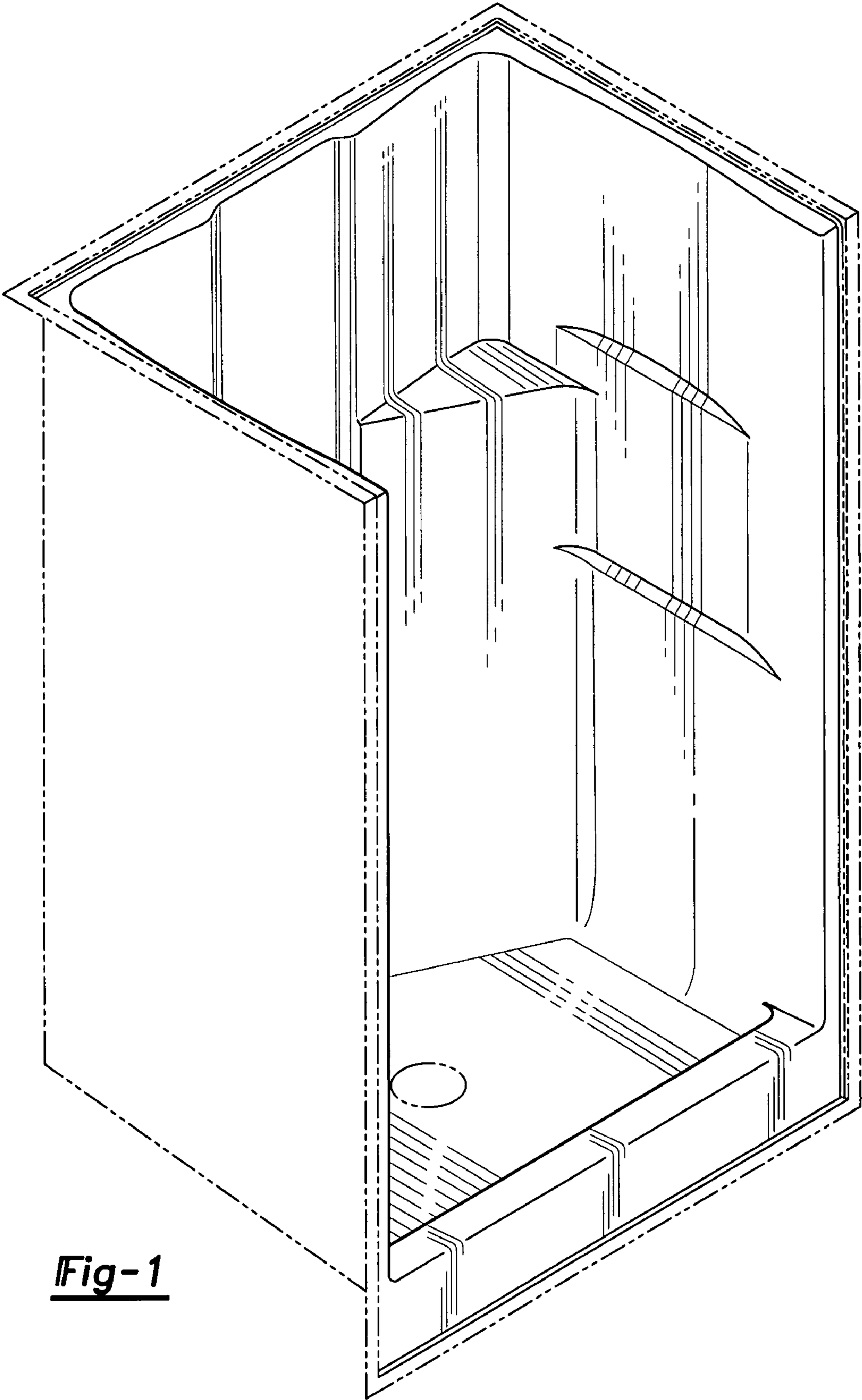


Fig-1

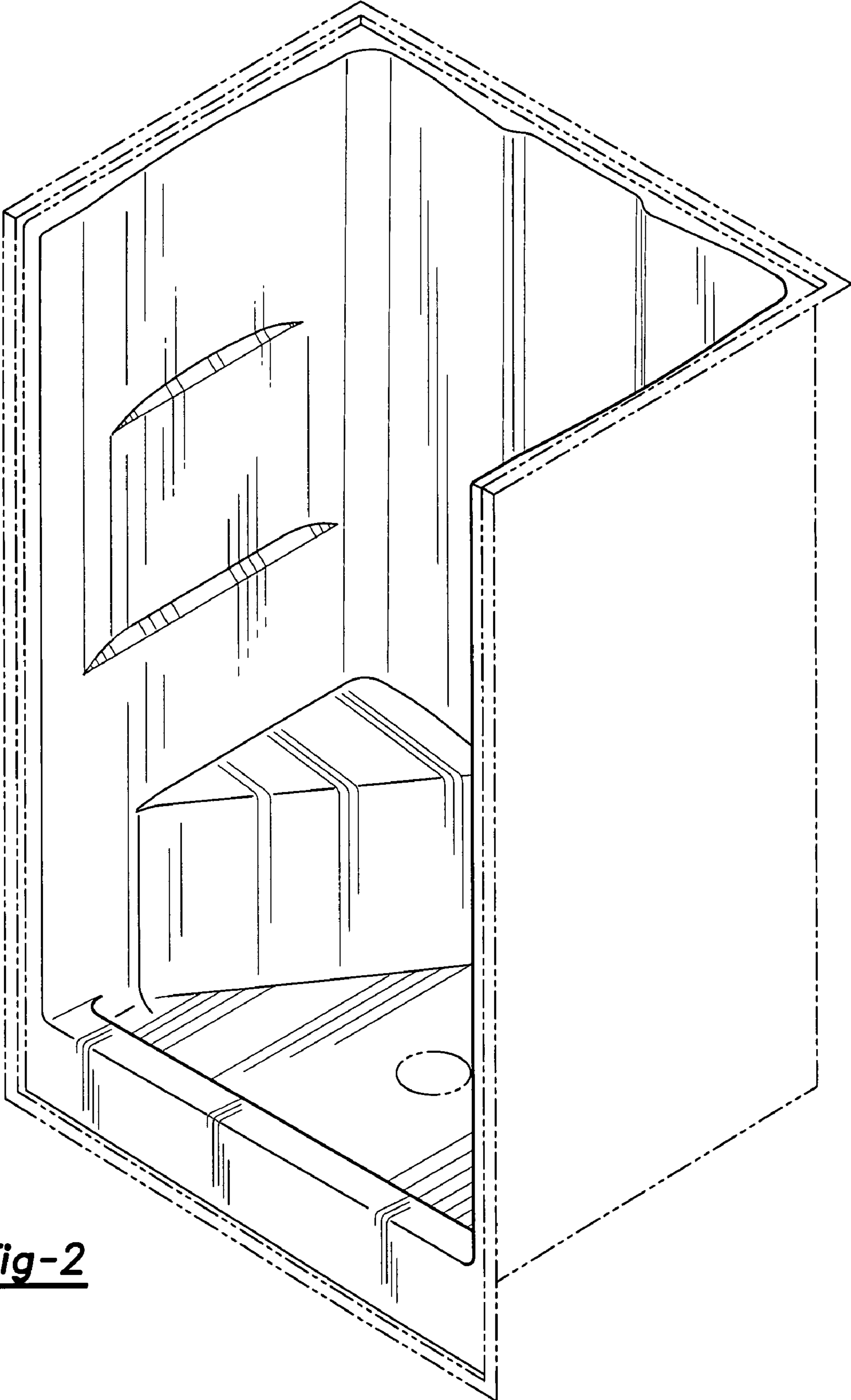


Fig-2

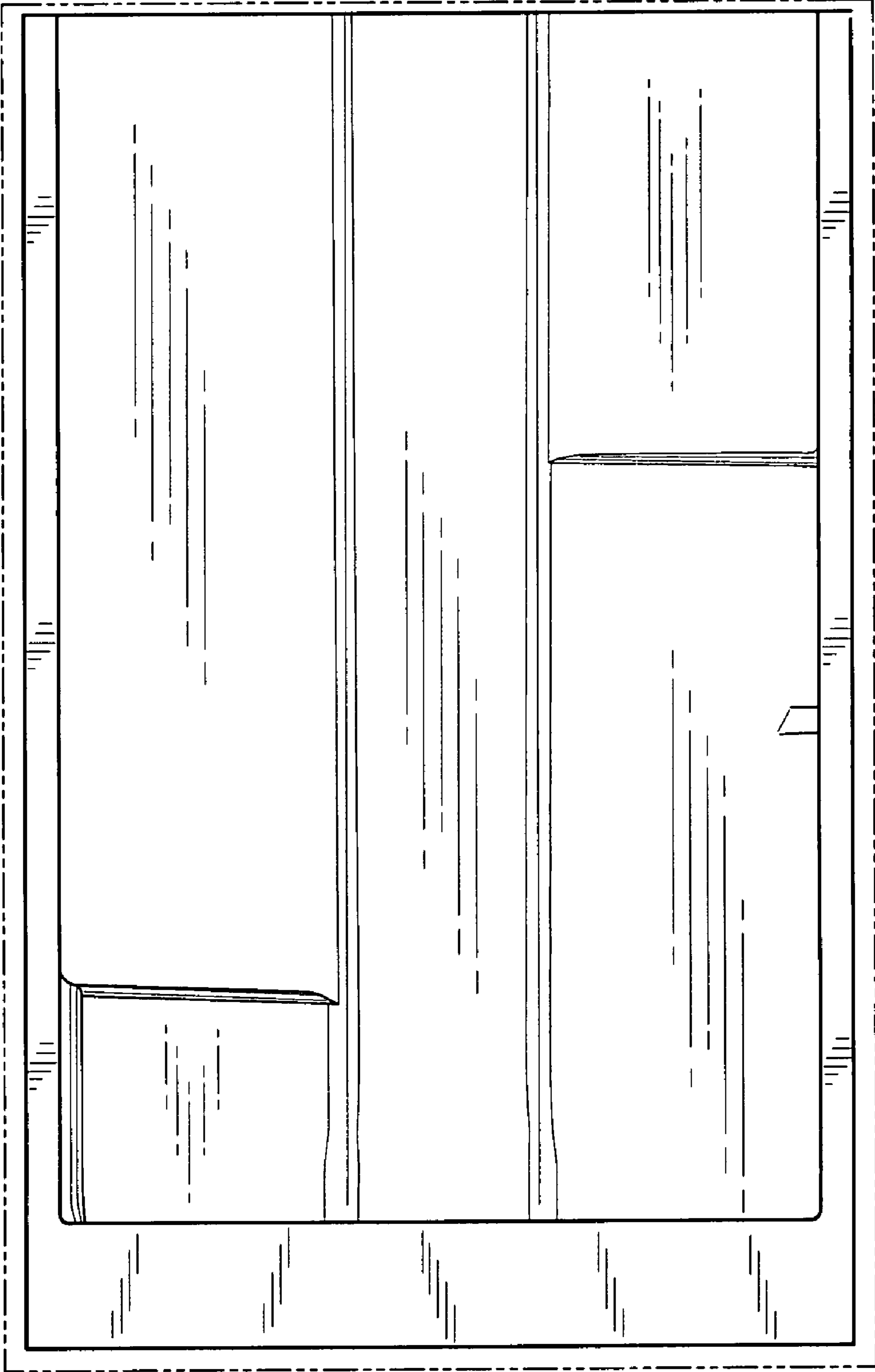


Fig-3

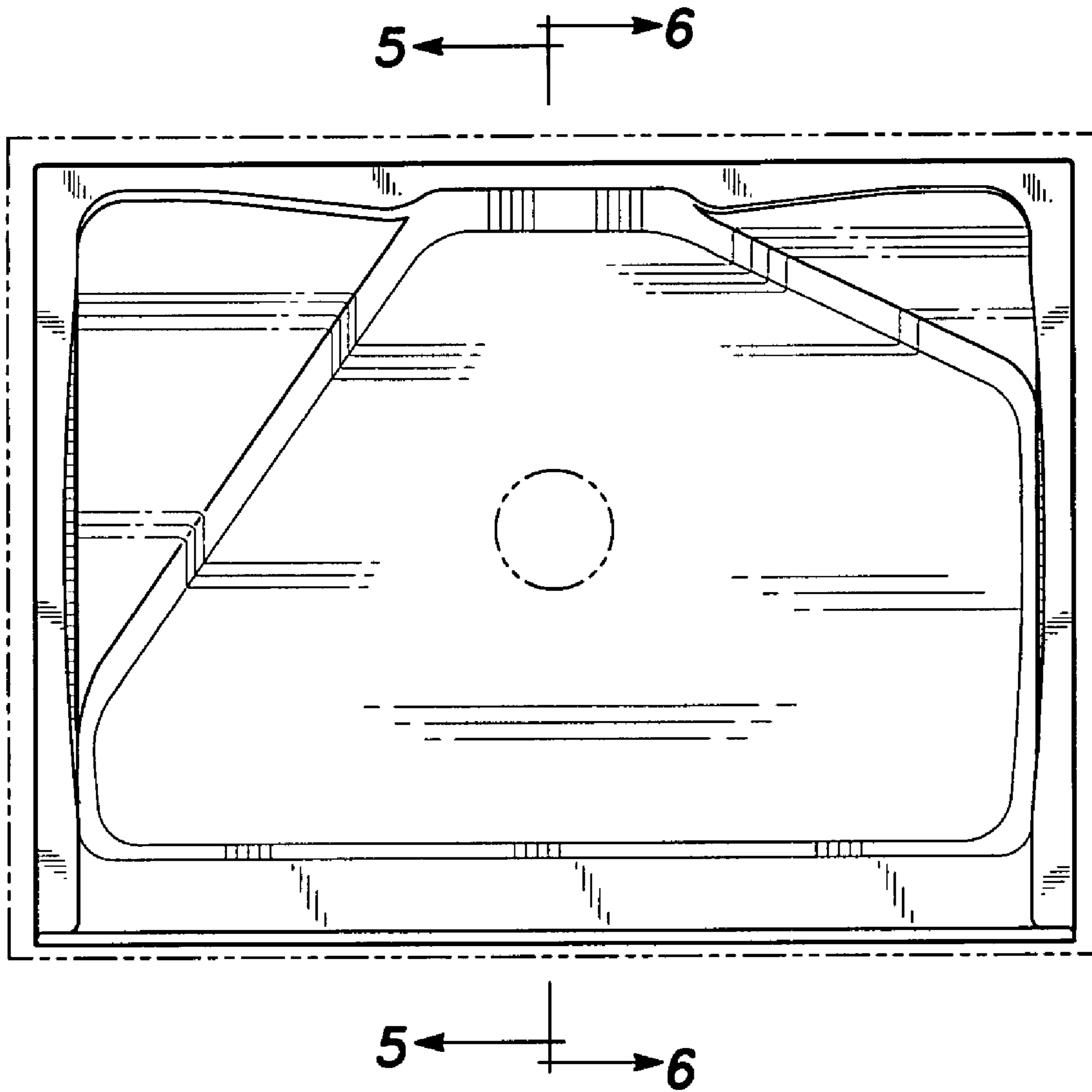


Fig-4

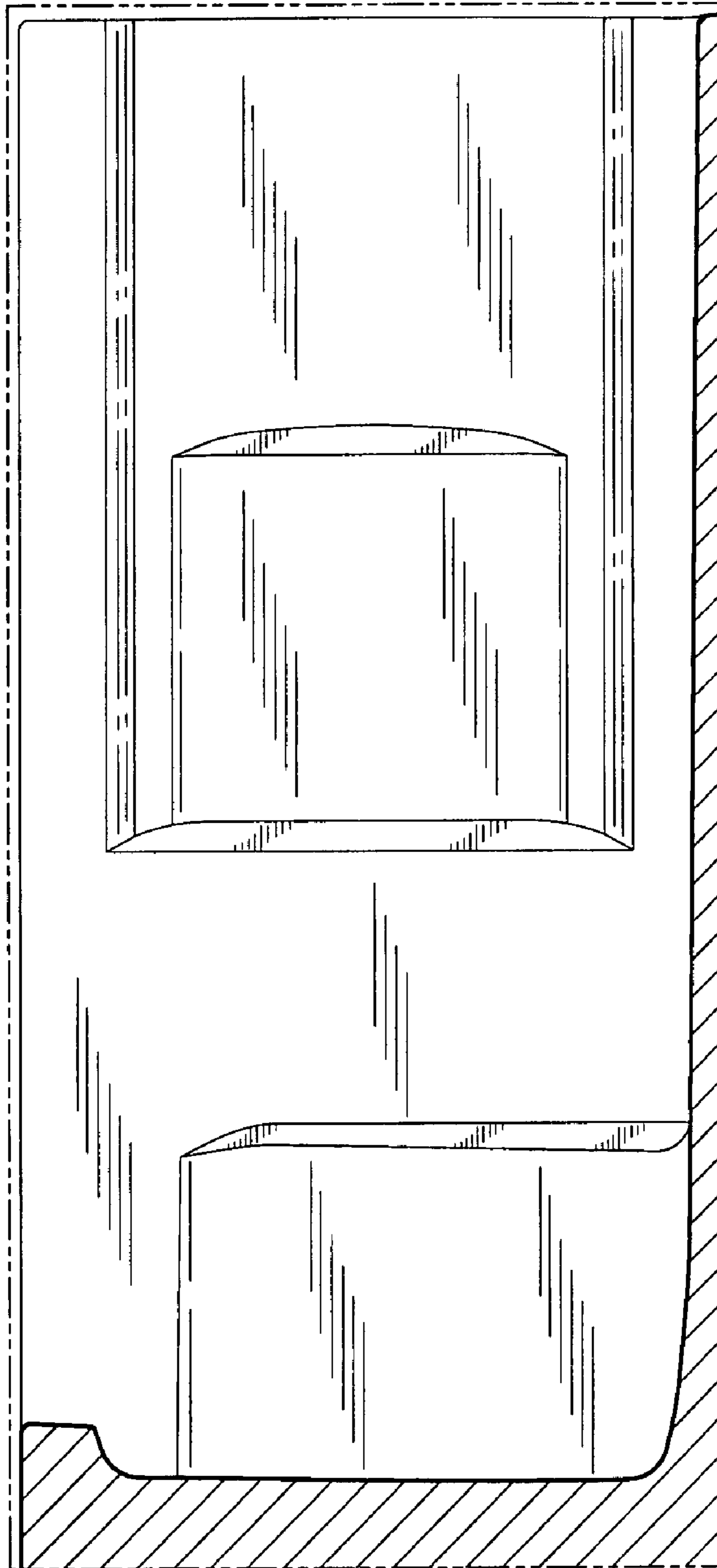


Fig-5

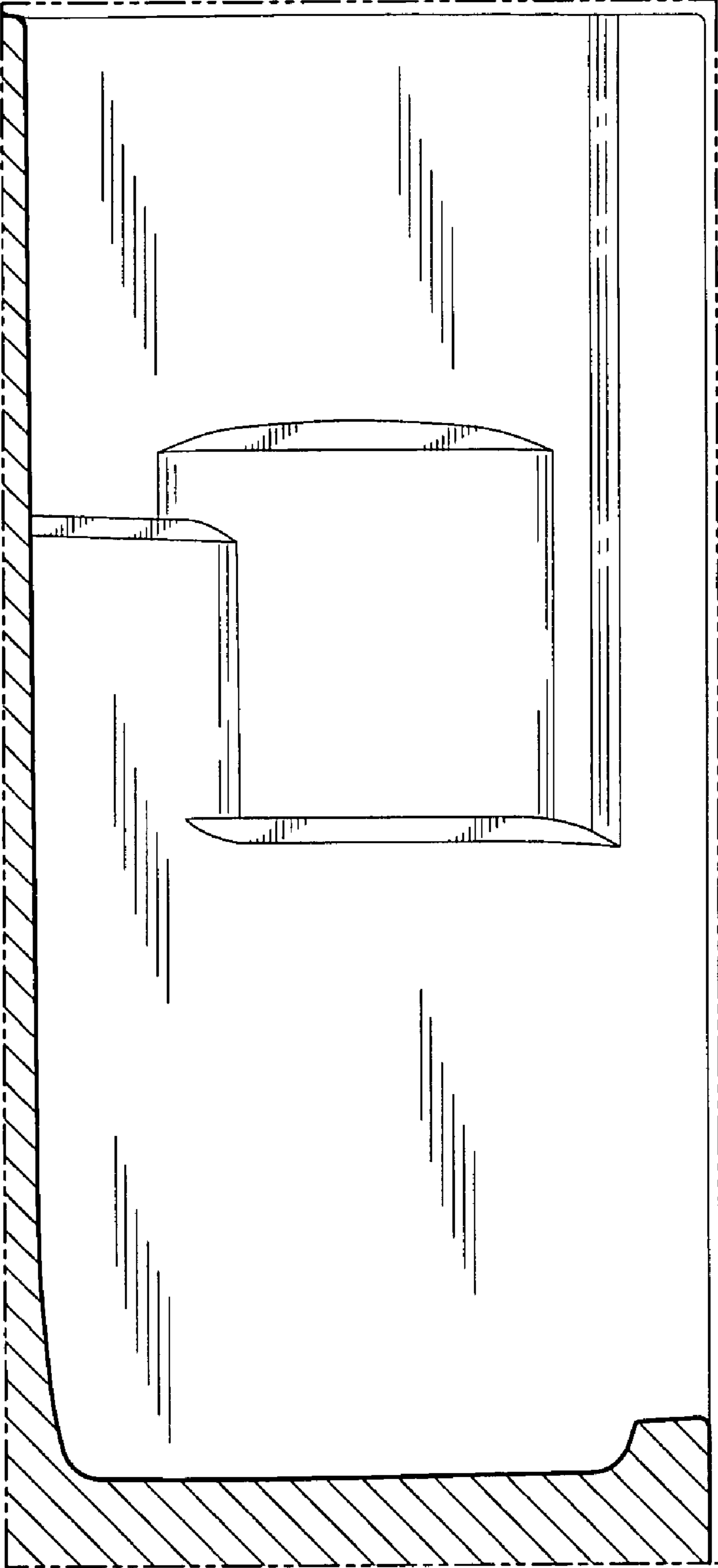


Fig-6