



US00D561309S

(12) **United States Design Patent**  
**Talocci**

(10) **Patent No.:** **US D561,309 S**

(45) **Date of Patent:** **\*\* Feb. 5, 2008**

(54) **BATH TUB**

(75) Inventor: **Giovanna Talocci**, Rome (IT)

(73) Assignee: **Teuco Guzzini S.p.A.**, Montelupone (IT)

(\*\*) Term: **14 Years**

(21) Appl. No.: **29/269,117**

(22) Filed: **Nov. 20, 2006**

**Related U.S. Application Data**

(62) Division of application No. 29/255,726, filed on Mar. 10, 2006, now Pat. No. Des. 536,768, which is a division of application No. 29/224,182, filed on Feb. 25, 2005, now Pat. No. Des. 533,644.

(30) **Foreign Application Priority Data**

Aug. 27, 2004 (EM) ..... 000219639

(51) **LOC (8) Cl.** ..... **23-02**

(52) **U.S. Cl.** ..... **D23/277**

(58) **Field of Classification Search** ..... D23/273, D23/276-277, 280.1-280.3, 303-305; 4/538, 4/584; D24/204-205; D6/596, 601  
See application file for complete search history.

(56) **References Cited**

**U.S. PATENT DOCUMENTS**

D142,685 S \* 10/1945 Zinkel ..... D6/596

D196,290 S \* 9/1963 King ..... D23/283  
D214,893 S \* 8/1969 Wheeler, Jr. .... D23/308  
D227,100 S \* 6/1973 Weiss ..... D23/277  
D233,343 S \* 10/1974 Irvine ..... D23/280.1  
D237,183 S \* 10/1975 Bonsack ..... D23/280.1  
D274,455 S \* 6/1984 Cuttriss ..... D23/280.1  
D320,715 S \* 10/1991 Magnin et al. .... D6/601  
D321,245 S \* 10/1991 Delepine ..... D23/280.1  
D321,923 S \* 11/1991 Ross ..... D24/204  
D354,805 S \* 1/1995 Bowen et al. .... D6/601  
D394,493 S \* 5/1998 Zeidner ..... D23/277

\* cited by examiner

*Primary Examiner*—Robert A. Delehanty

(74) *Attorney, Agent, or Firm*—McCarter & English, LLP

(57) **CLAIM**

The ornamental design for a bath tub, as shown.

**DESCRIPTION**

FIG. 1 is a perspective view of a bath tub, according to my design;

FIG. 2 is a right side view thereof;

FIG. 3 is a rear plan view thereof;

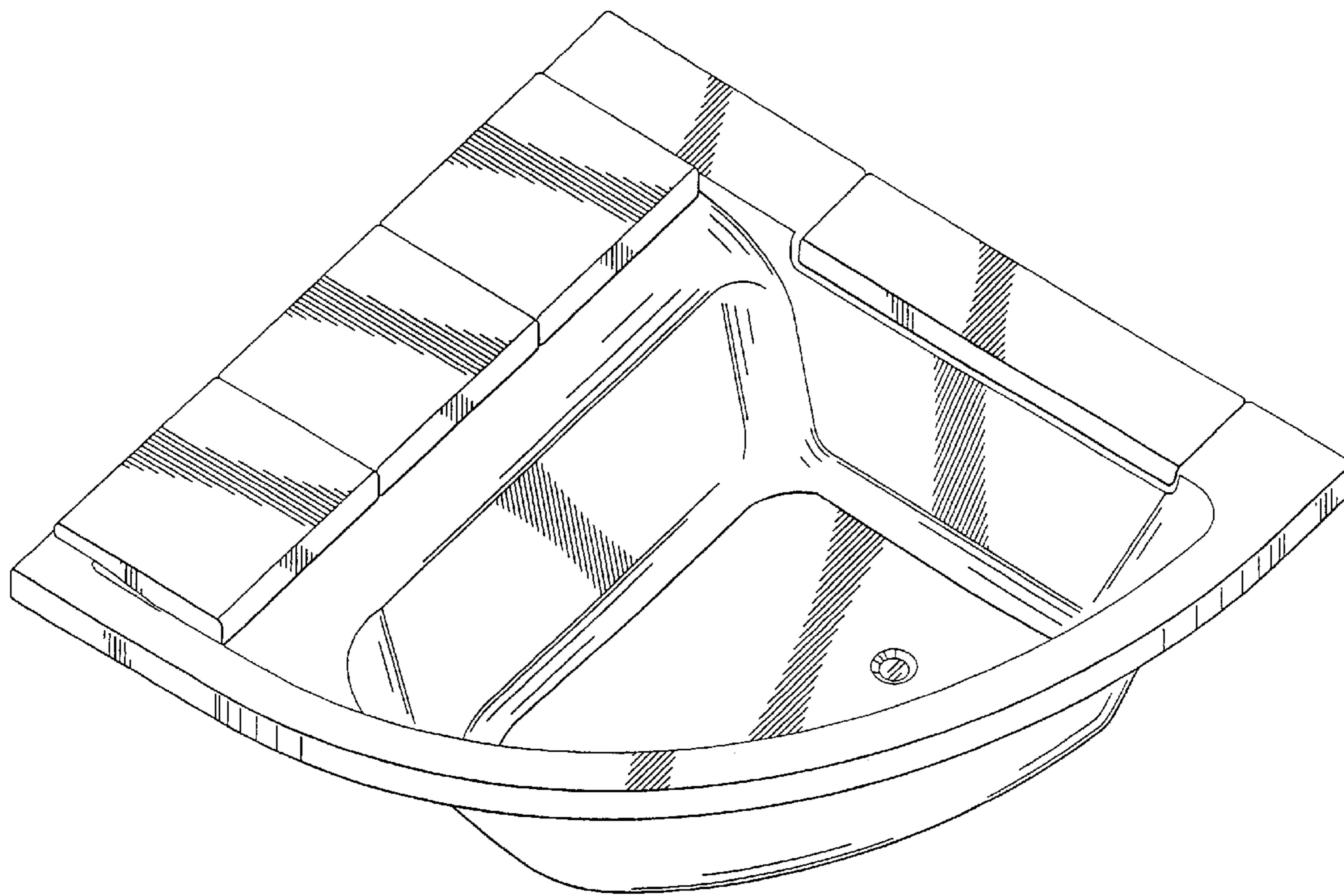
FIG. 4 is a left side view thereof;

FIG. 5 is a front plan view thereof;

FIG. 6 is a top view thereof; and,

FIG. 7 is a bottom view thereof.

**1 Claim, 5 Drawing Sheets**



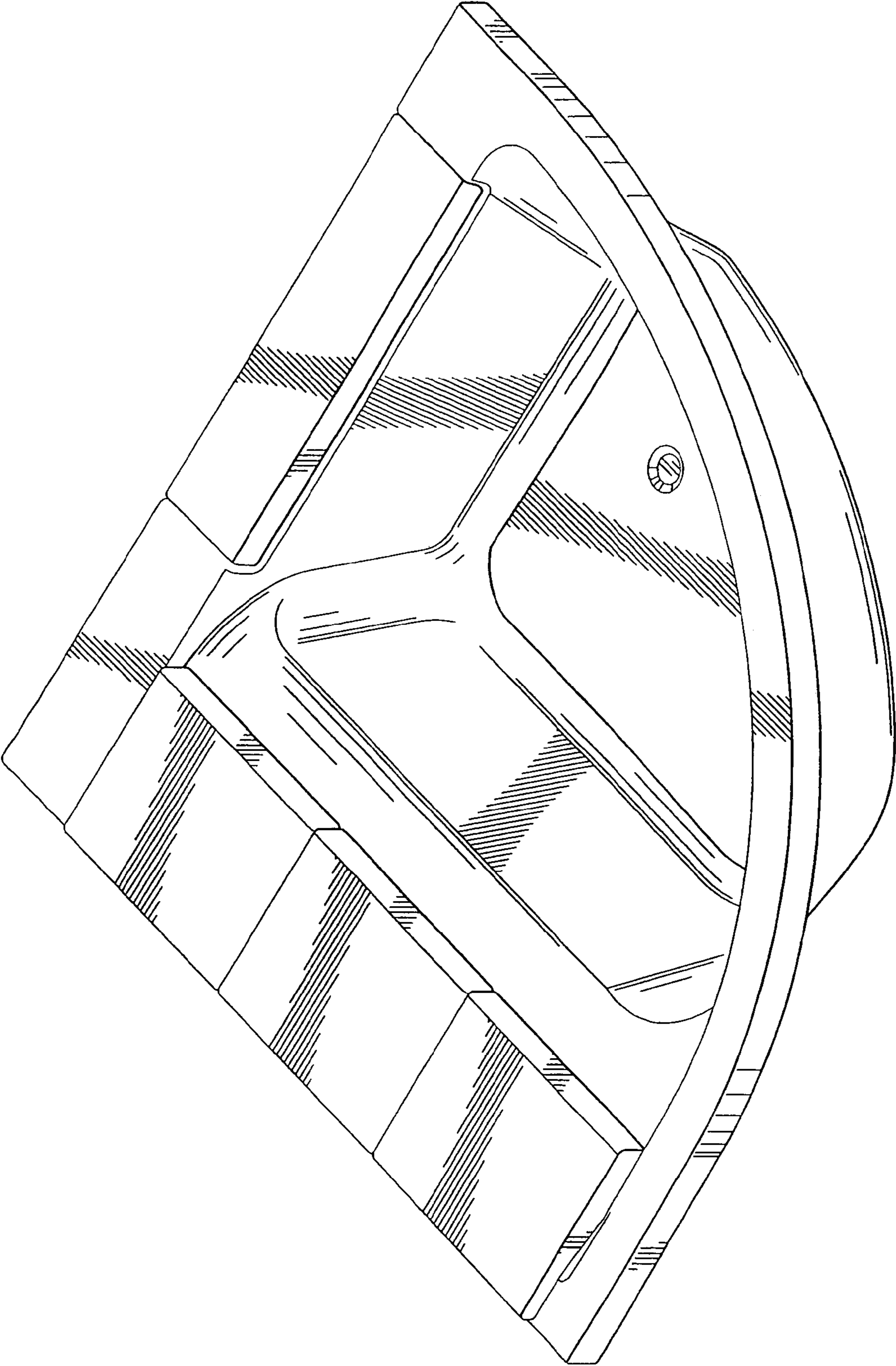


FIG. 1

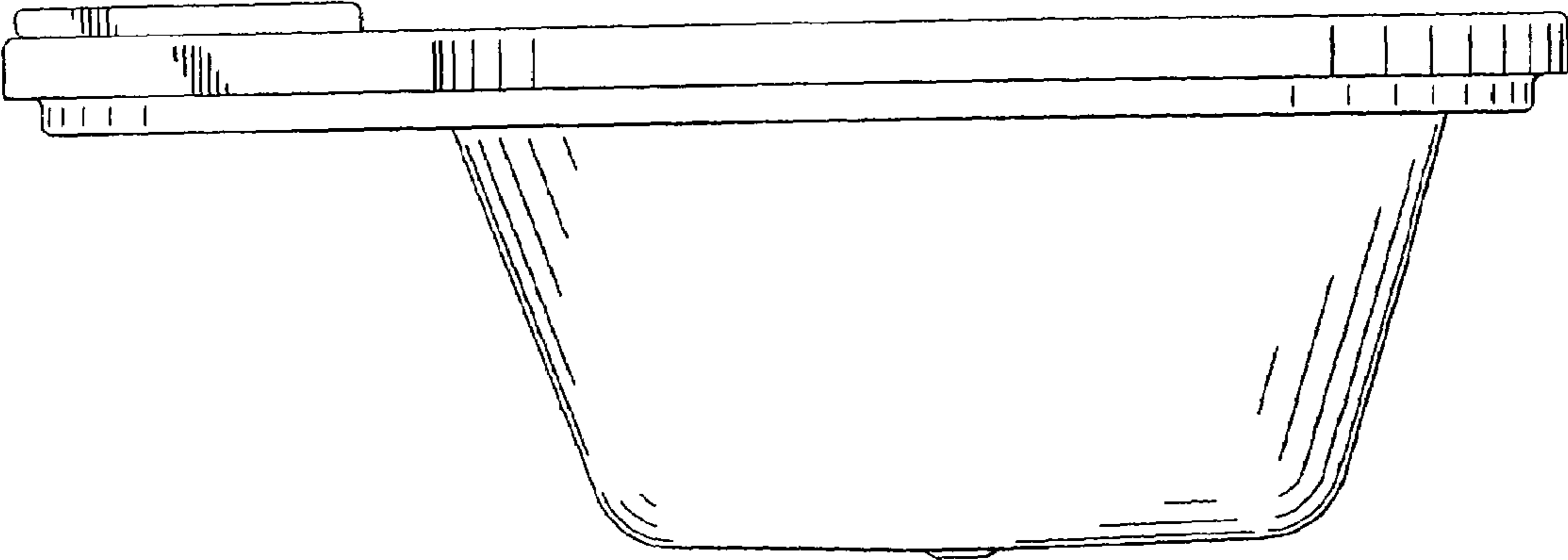


FIG. 2

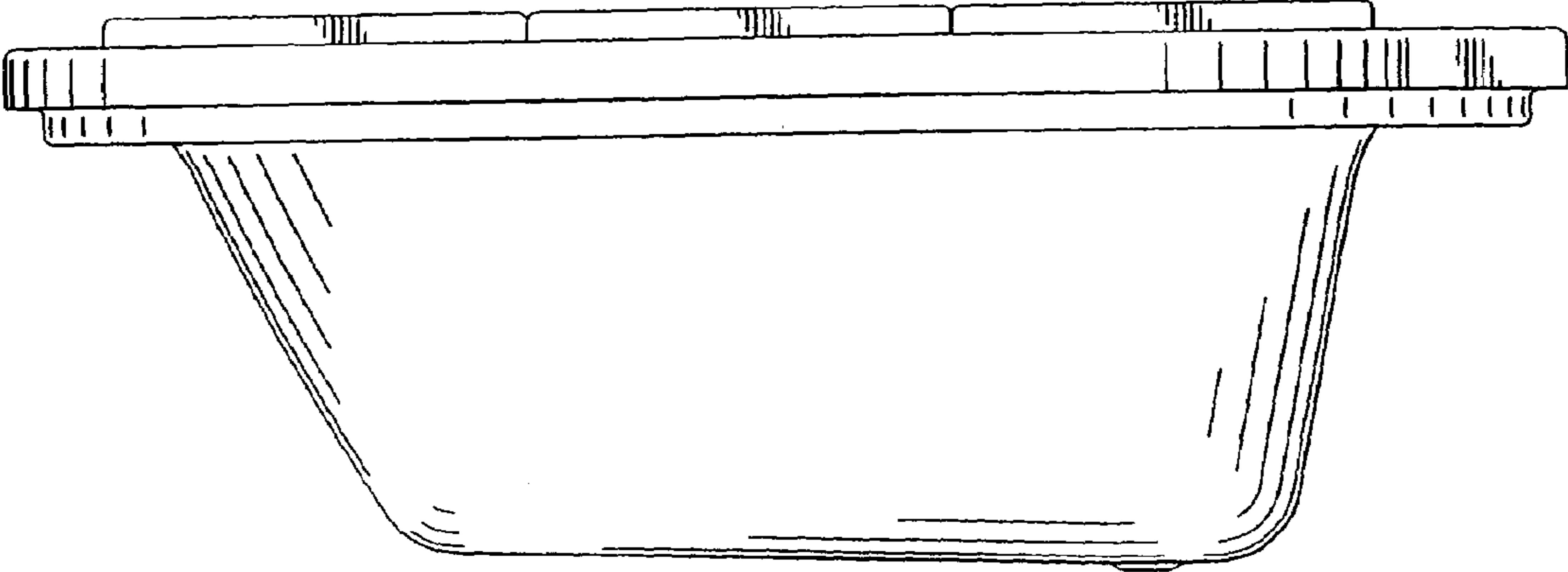


FIG. 3

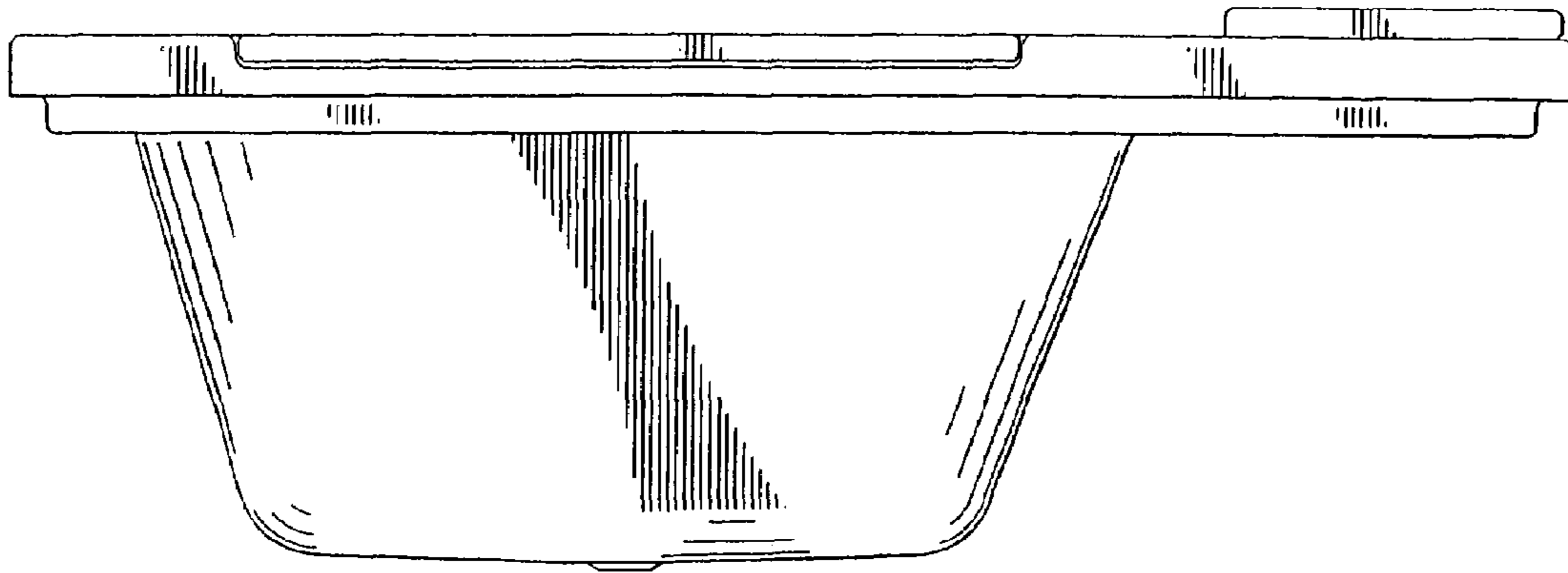


FIG. 4

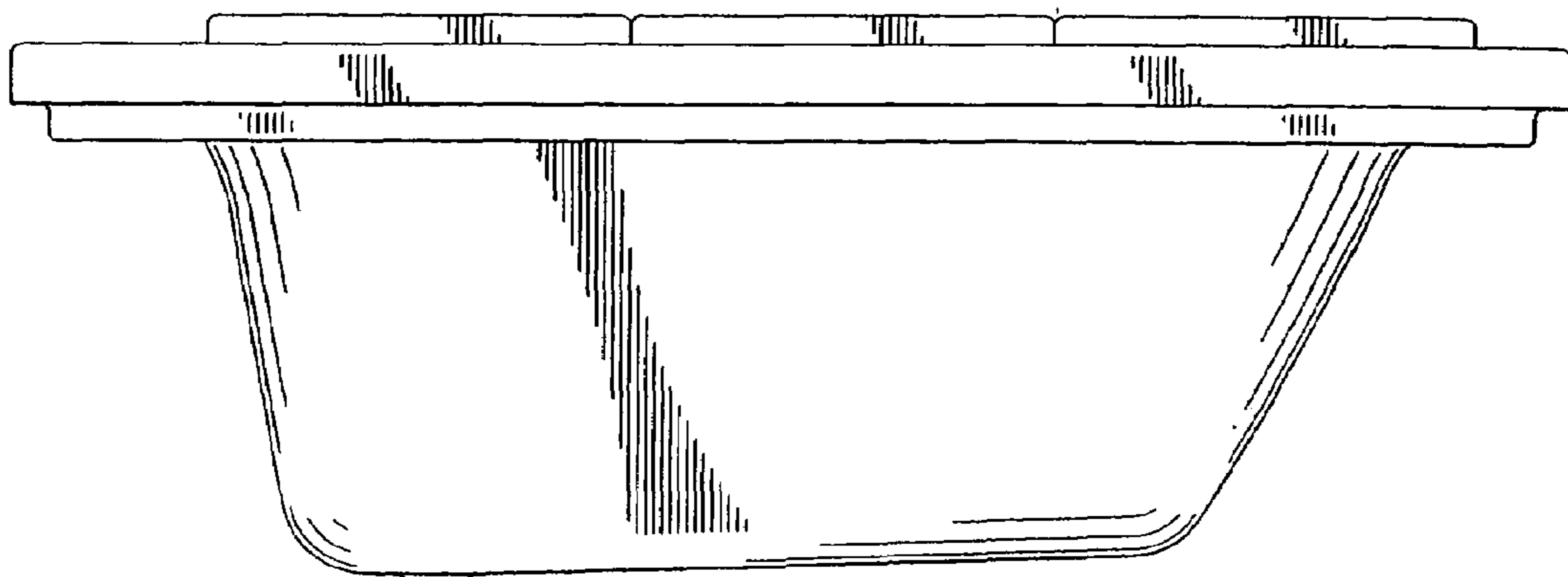


FIG. 5



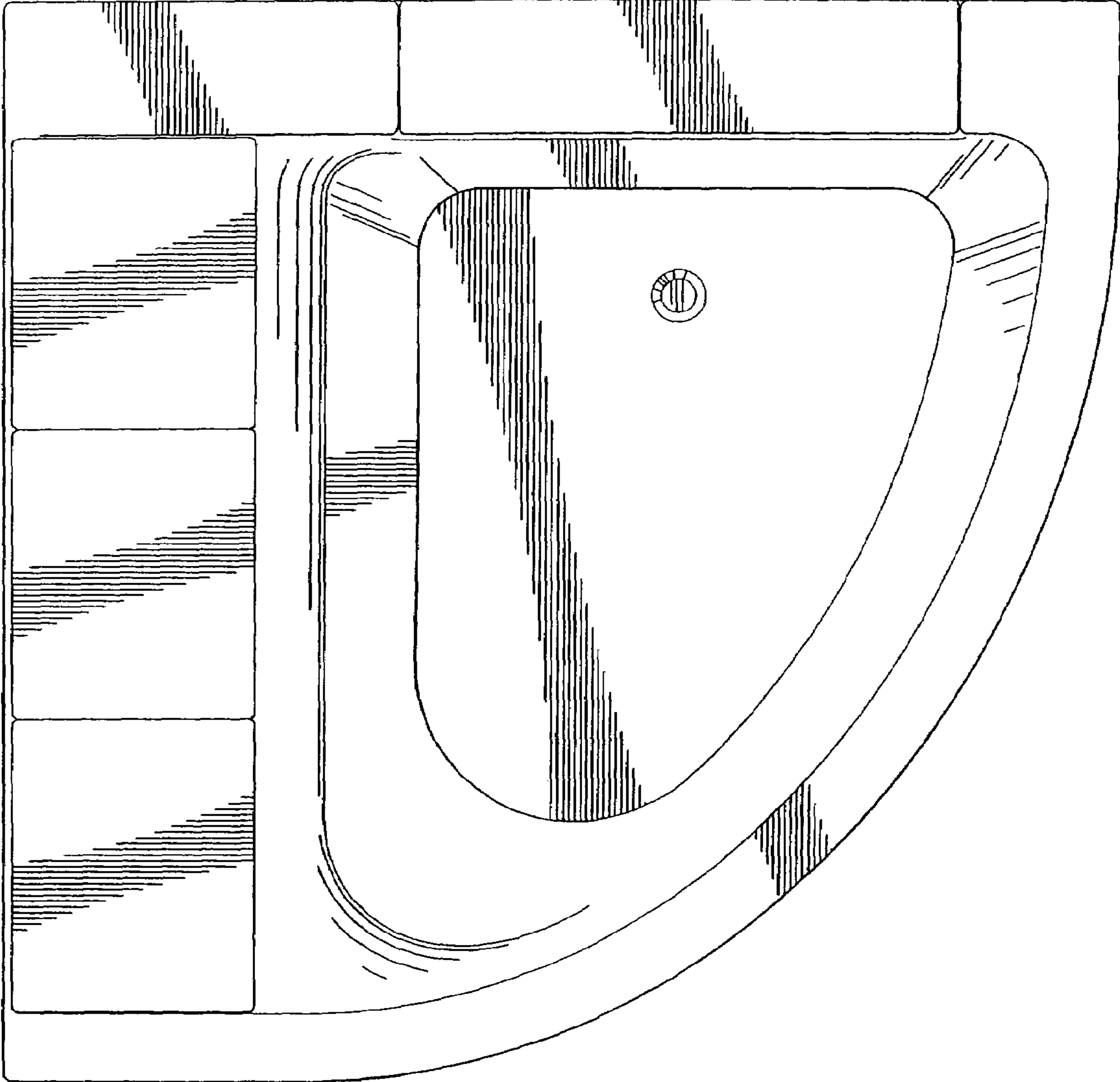


FIG. 6

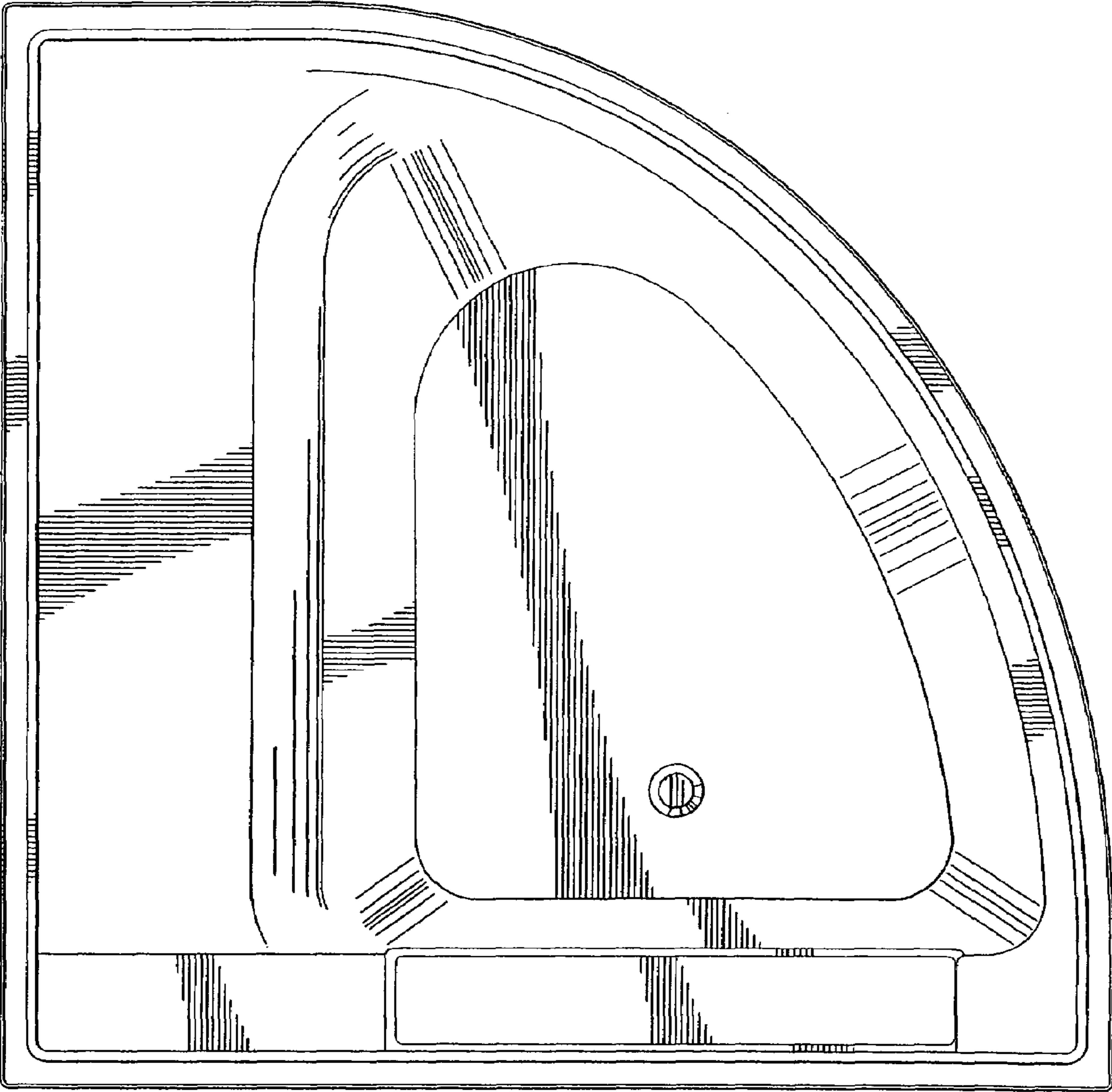


FIG. 7