

US00D561305S

(12) **United States Design Patent**
Higgins

(10) **Patent No.:** **US D561,305 S**

(45) **Date of Patent:** **** Feb. 5, 2008**

(54) **TOILET TANK ADAPTER**

(76) **Inventor:** **Gary R. Higgins**, 33272 Ocean Bright,
Dana Point, CA (US) 92629

(**) **Term:** **14 Years**

(21) **Appl. No.:** **29/266,647**

(22) **Filed:** **Sep. 26, 2006**

Related U.S. Application Data

(63) Continuation of application No. 10/775,492, filed on
Feb. 10, 2004, now abandoned.

(51) **LOC (8) Cl.** **23-01**

(52) **U.S. Cl.** **D23/269; D23/259**

(58) **Field of Classification Search** **D23/259-269;**
4/324-325, 378, 402-404, 392-393, 387,
4/415, 354

See application file for complete search history.

(56) **References Cited**

U.S. PATENT DOCUMENTS

3,959,828 A * 6/1976 Acevedo 4/393
4,984,312 A * 1/1991 Pickerrell et al. 4/378

5,138,725 A * 8/1992 Fernstrum, Jr. 4/393
5,175,895 A * 1/1993 Fike et al. 4/393
5,195,190 A * 3/1993 Nguyen-Huu 4/378
5,842,498 A * 12/1998 Locke et al. 137/315.07
5,864,893 A * 2/1999 Liou 4/378
2002/0000006 A1 * 1/2002 Hwang 4/325
2004/0111793 A1 * 6/2004 Sutherland et al. 4/325
2005/0172387 A1 * 8/2005 Higgins 4/354
2007/0136938 A1 * 6/2007 Gutierrez et al. 4/325

* cited by examiner

Primary Examiner—Ian Simmons

Assistant Examiner—Eric L Goodman

(74) *Attorney, Agent, or Firm*—Walter A. Hackler

(57) **CLAIM**

The ornamental design for a toilet tank adapter, as shown
and described.

DESCRIPTION

FIG. 1 is a perspective view of the present invention;
FIG. 2 is a side view of the present invention; and,
FIG. 3 is a top view of the present invention.

1 Claim, 1 Drawing Sheet

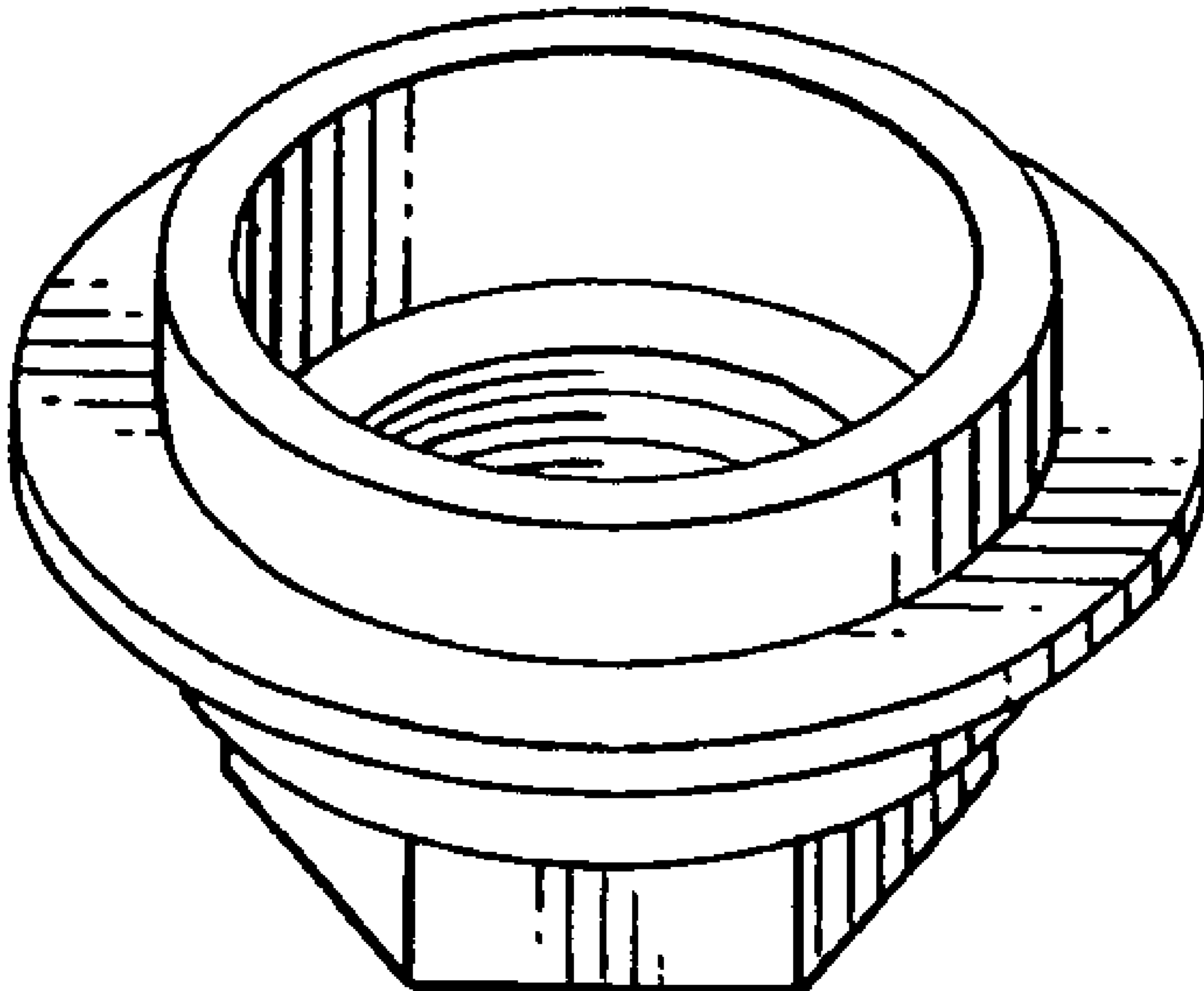


FIG. 1.

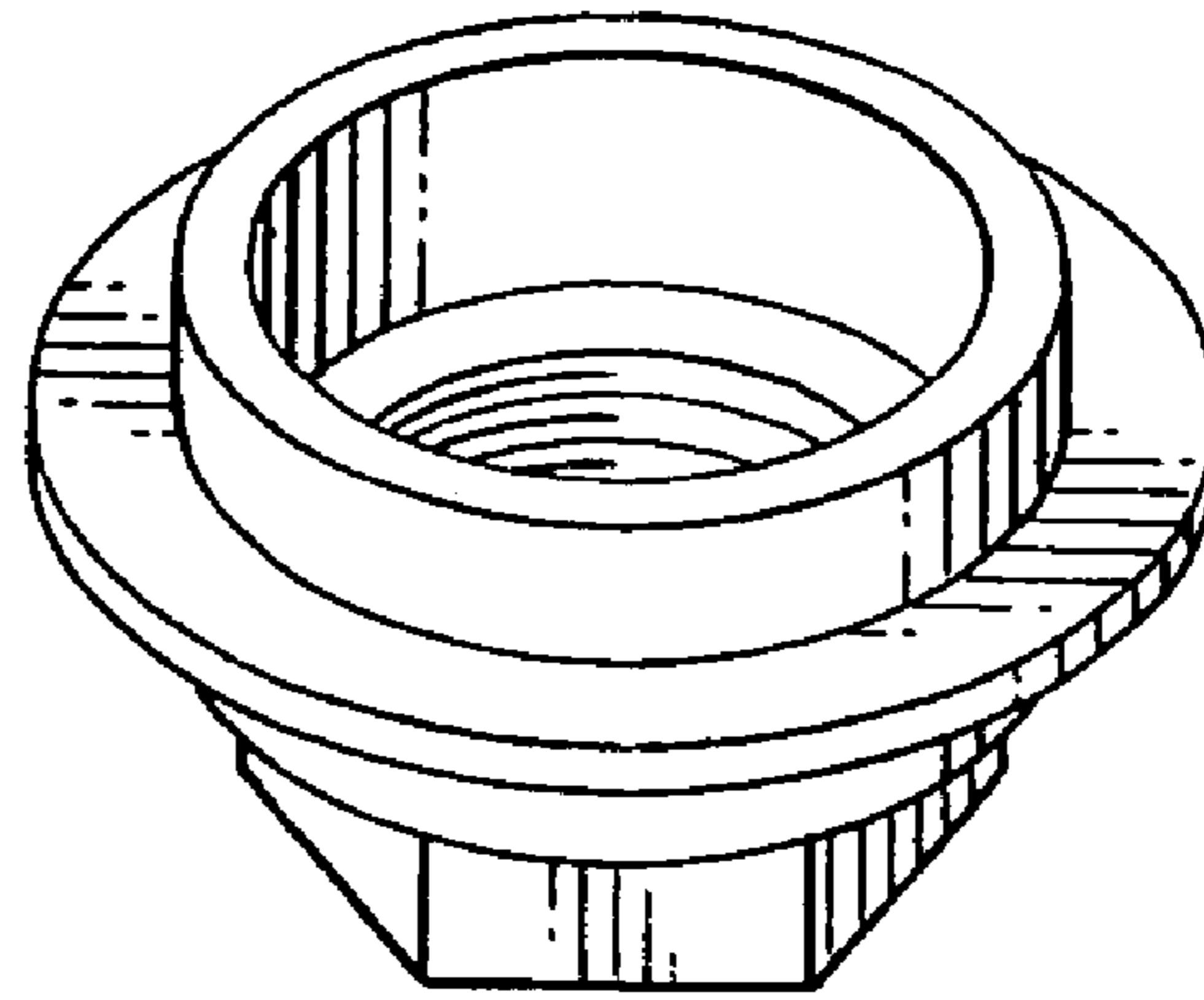


FIG. 2.

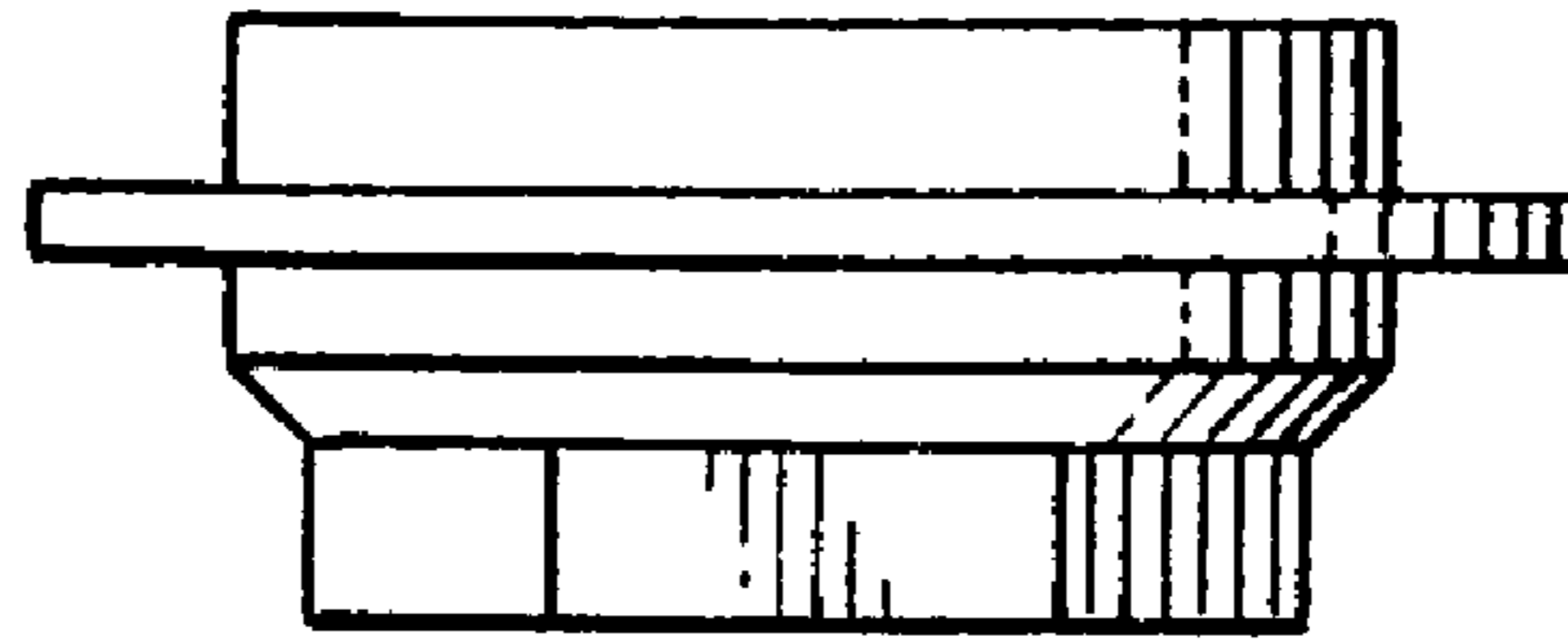


FIG. 3.

