



US00D561304S

(12) **United States Design Patent**
Vansell et al.

(10) **Patent No.:** **US D561,304 S**

(45) **Date of Patent:** **** Feb. 5, 2008**

(54) **SADDLE INSERT PIPE COUPLING**

(75) Inventors: **Christopher Vansell**, San Juan Capistrano, CA (US); **Albert Amparan**, East Highlands, CA (US)

(73) Assignee: **MCP Industries, Inc.**, Corona, CA (US)

(**) Term: **14 Years**

(21) Appl. No.: **29/268,540**

(22) Filed: **Nov. 8, 2006**

(51) **LOC (8) Cl.** **23-01**

(52) **U.S. Cl.** **D23/262**

(58) **Field of Classification Search** D23/259–269;
285/197, 180, 285.1–296.1, 18, 34–35, 275,
285/277; 251/149.1, 150

See application file for complete search history.

(56) **References Cited**

U.S. PATENT DOCUMENTS

D238,876	S	*	2/1976	Andersson	D23/262
D243,457	S	*	2/1977	Ryan	D23/262
4,139,221	A	*	2/1979	Shotbolt	285/18
D262,397	S	*	12/1981	Ryan	D23/262
4,316,624	A	*	2/1982	Davlin	285/141.1
D282,867	S	*	3/1986	Ryan et al.	D23/259
4,601,492	A	*	7/1986	George	285/3
5,056,704	A	*	10/1991	Martin et al.	228/173.4
5,149,144	A	*	9/1992	Blakeley	285/23
D332,653	S	*	1/1993	Ryan	D23/262
6,056,324	A	*	5/2000	Reimert et al.	285/18
6,193,879	B1	*	2/2001	Bowman	210/153
6,412,824	B2	*	7/2002	Kunsman	285/197
7,150,289	B2	*	12/2006	Mortensen	137/318
2002/0000719	A1	*	1/2002	Kunsman	285/197
2004/0113425	A1	*	6/2004	King	285/197
2006/0065590	A1	*	3/2006	Scharf	210/460

* cited by examiner

Primary Examiner—Ian Simmons

Assistant Examiner—Eric L Goodman

(74) *Attorney, Agent, or Firm*—John J. Connors; Connors & Assoc. Inc

(57) **CLAIM**

The ornamental design for a saddle insert pipe coupling, as shown and described.

DESCRIPTION

FIG. 1 is an exploded perspective view of one embodiment of the saddle insert pipe coupling of this invention showing the insert element and pipe component detached.

FIG. 2 is an exploded side view of the saddle insert pipe coupling of FIG. 1 looking at one side of the pipe coupling and showing the insert element and pipe component detached.

FIG. 3 is an end view of the insert element taken along line 3—3 of FIG. 2.

FIG. 4 is an end view of the insert element taken along line 4—4 of FIG. 2.

FIG. 5 is an end view of the pipe component taken along line 5—5 of FIG. 2.

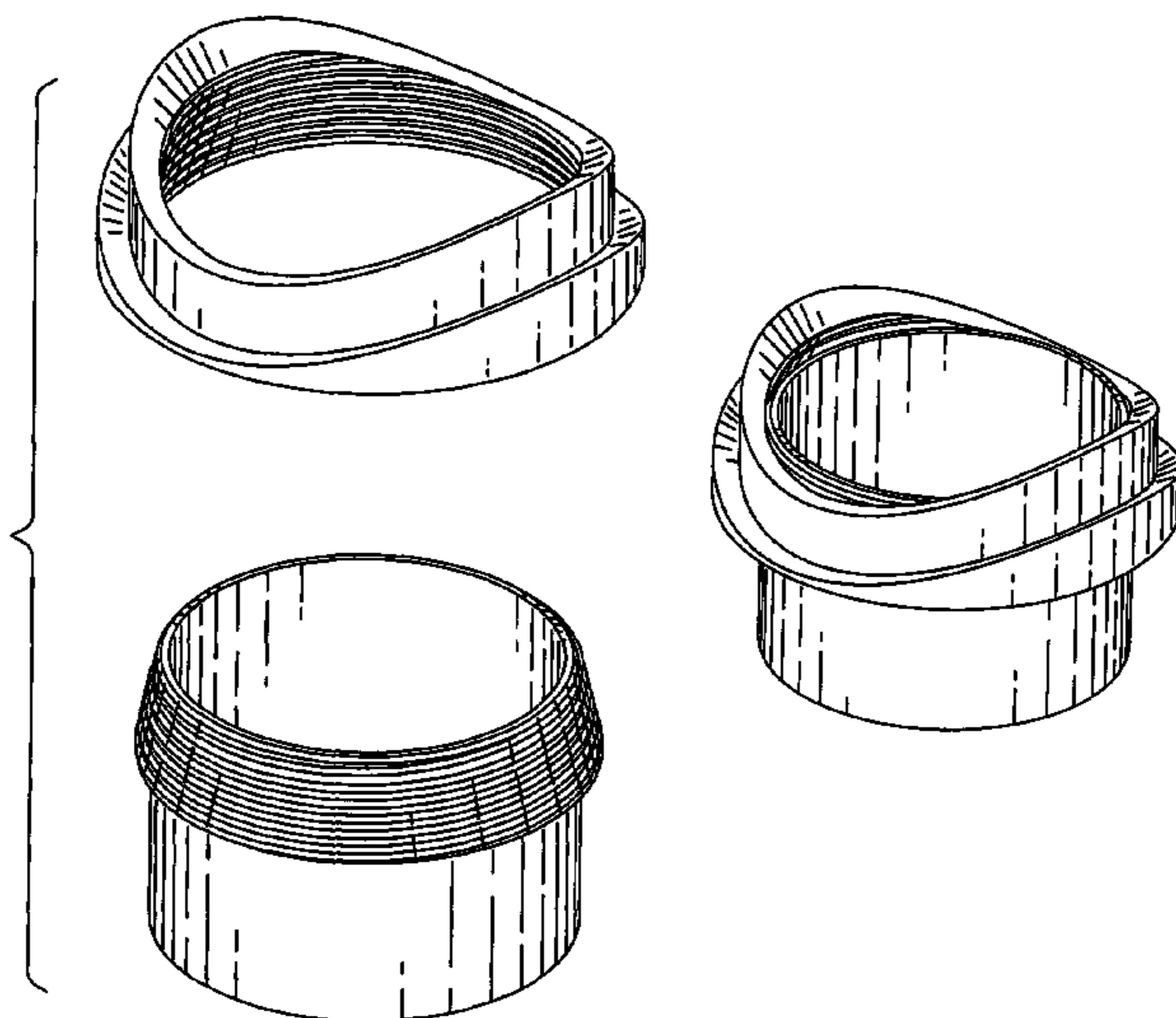
FIG. 6 is an end view of the pipe component taken along line 6—6 of FIG. 2.

FIG. 7 is an exploded side view of the saddle insert pipe coupling of FIG. 1 looking at another side of the pipe coupling and showing the insert element and pipe component detached.

FIG. 8 is a perspective view looking in one direction at the saddle insert pipe coupling shown in FIG. 1 and assembled; and,

FIG. 9 is a perspective view looking in another direction at the assembled saddle insert pipe coupling shown in FIG. 8.

1 Claim, 4 Drawing Sheets



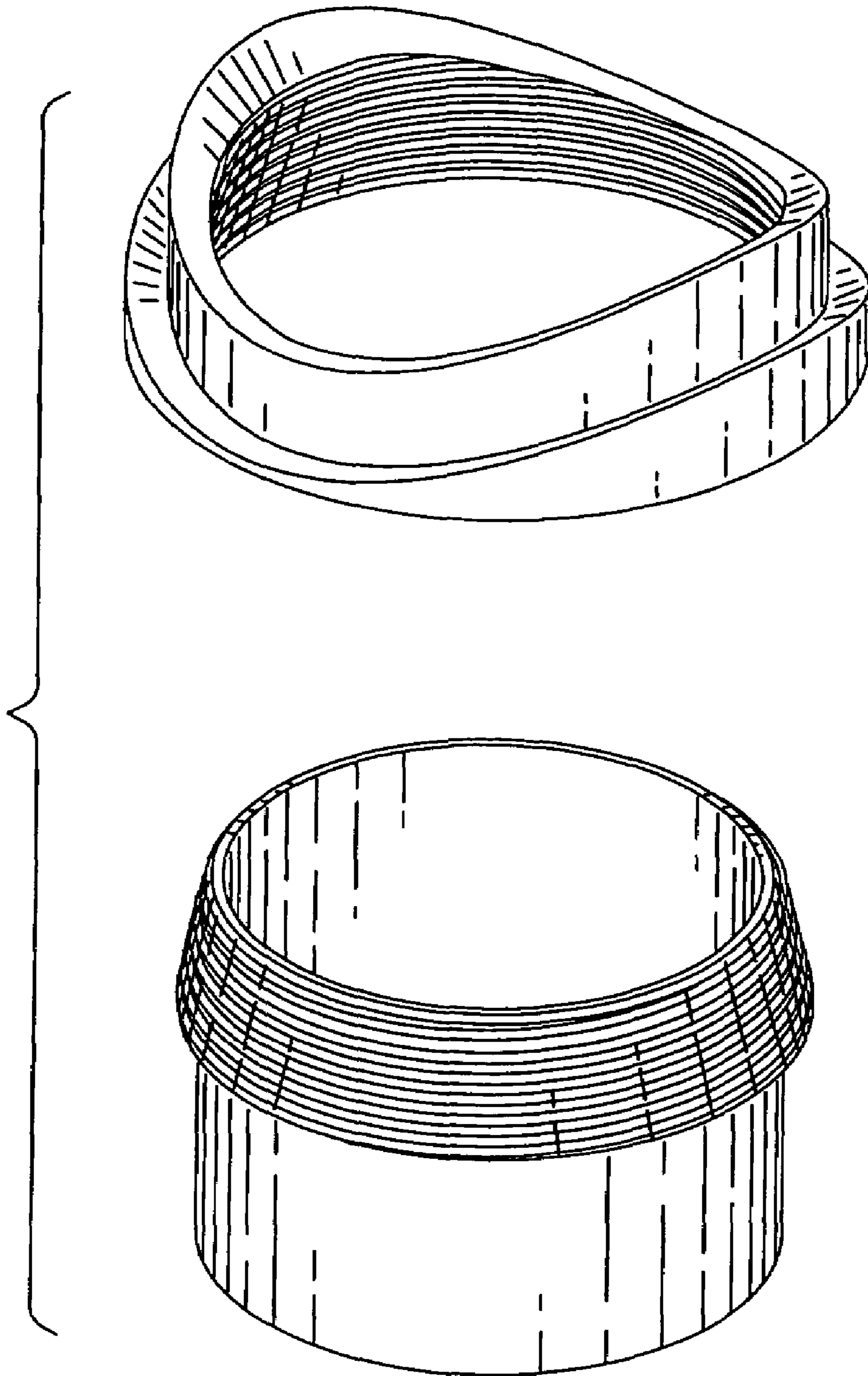


Fig. 1

Fig. 2

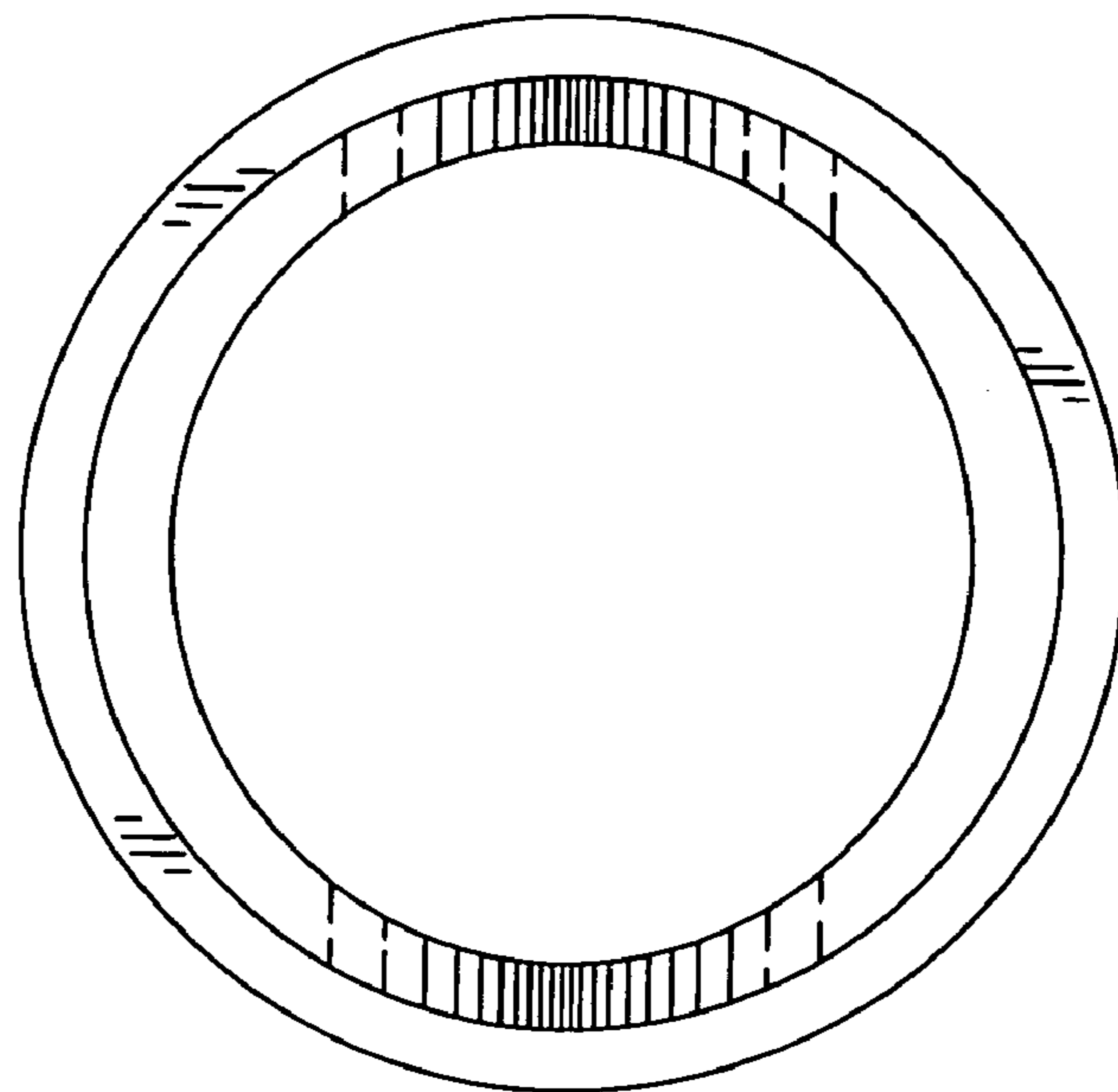
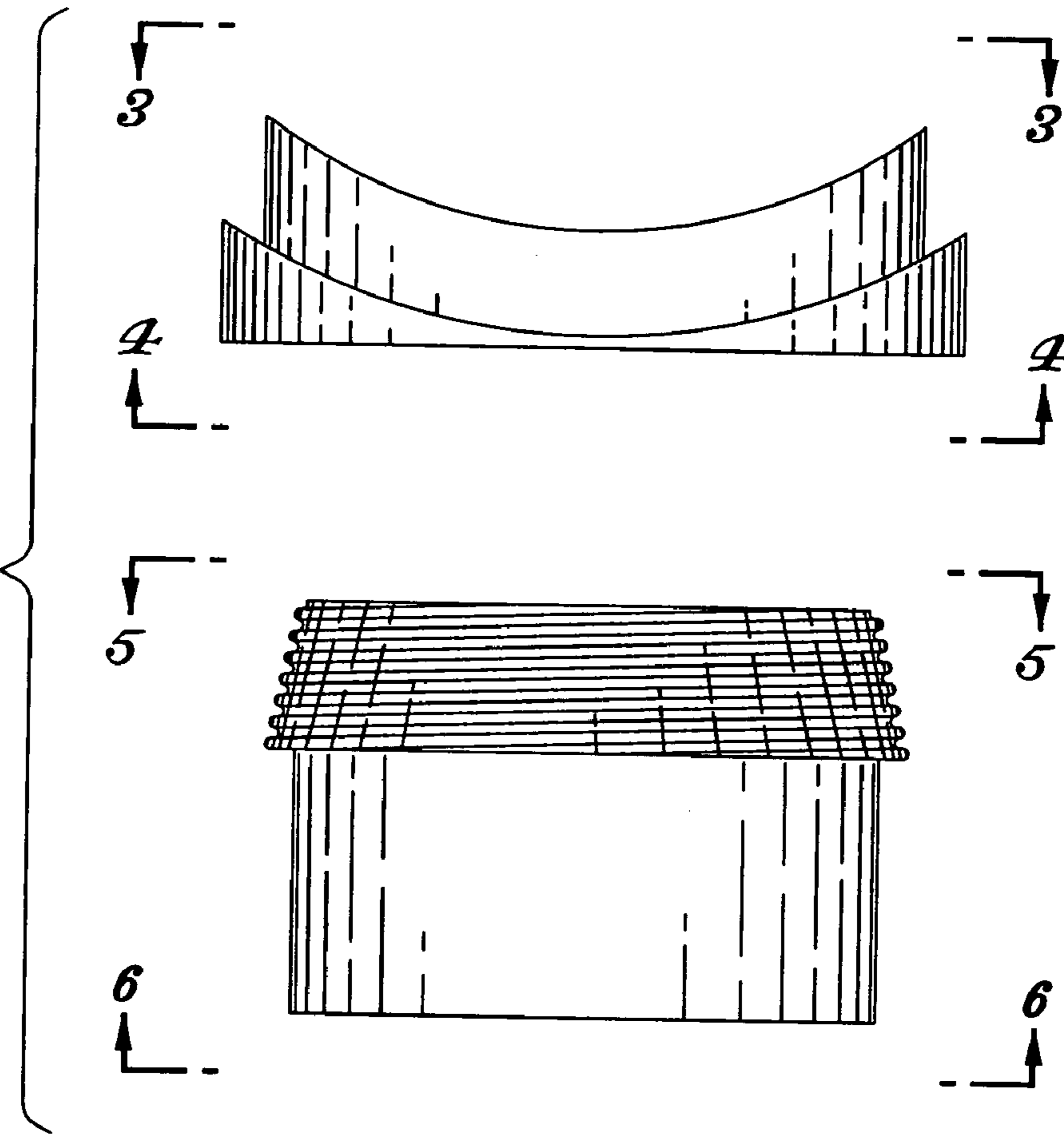


Fig. 3

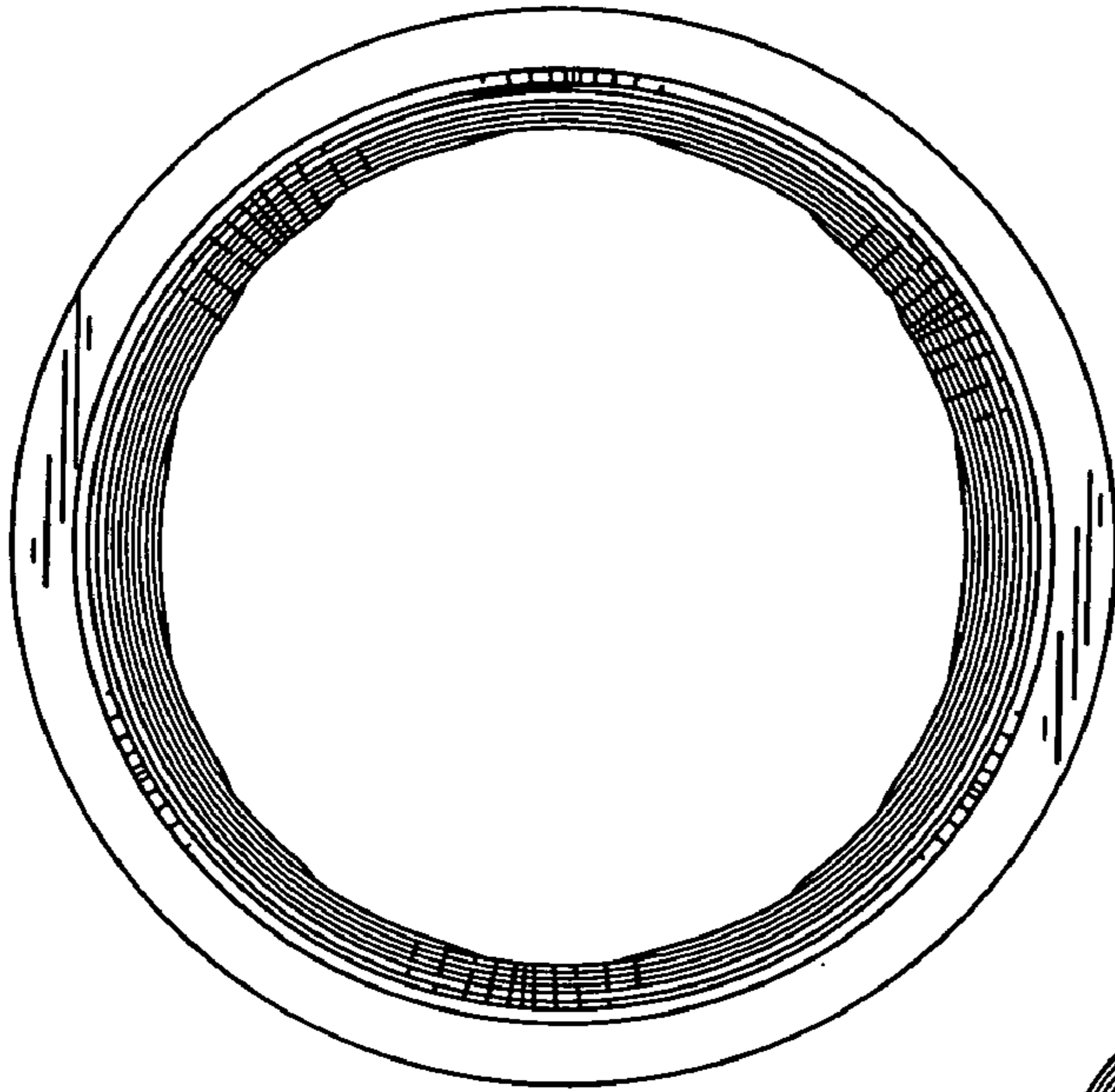


Fig. 4

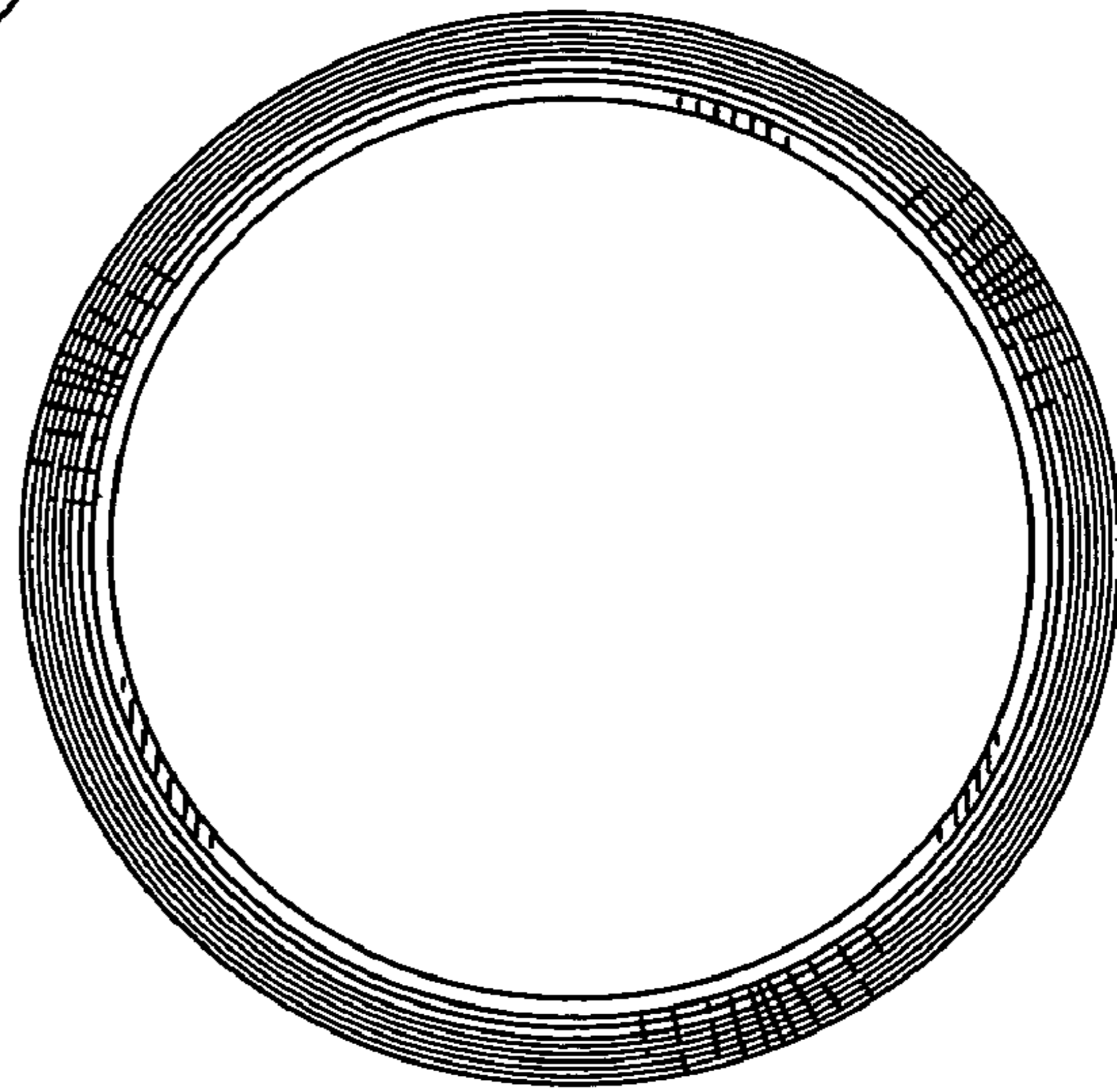


Fig. 5

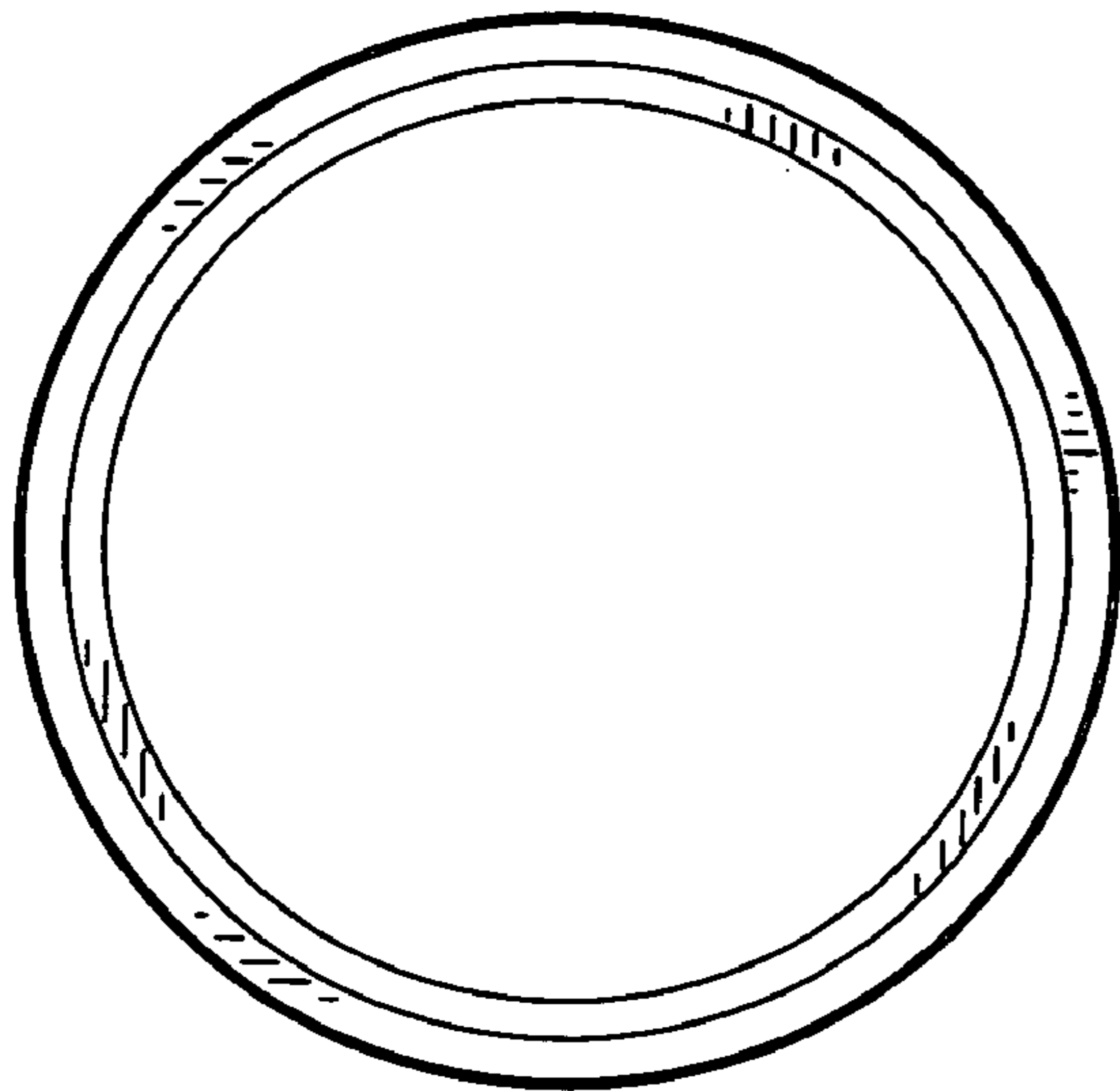


Fig. 6

