



US00D561303S

(12) **United States Design Patent**
Brockington et al.

(10) **Patent No.:** **US D561,303 S**

(45) **Date of Patent:** **** Feb. 5, 2008**

- (54) **STRAIGHT ADAPTER FOR 3" RV SEWER HOSE**
- (75) Inventors: **William T. Brockington**, Kernersville, NC (US); **Robert C. Mancari**, High Point, NC (US); **Bruce A. Angel**, Kernersville, NC (US); **Clay D. Price**, Stokesdale, NC (US); **Jeffrey R. Russell**, Winston Salem, NC (US)

5,971,438	A *	10/1999	Johnson	285/12
6,170,882	B1 *	1/2001	Prest	285/12
6,427,715	B1 *	8/2002	Brockington et al.	137/239
6,450,542	B1 *	9/2002	McCue	285/12
7,156,574	B1 *	1/2007	Garst	4/323
2004/0129807	A1 *	7/2004	Phillips et al.	241/46.01

(73) Assignee: **Camco Manufacturing, Inc.**, Greensboro, NC (US)

(**) Term: **14 Years**

(21) Appl. No.: **29/254,041**

(22) Filed: **Feb. 16, 2006**

- (51) **LOC (8) Cl.** **23-01**
- (52) **U.S. Cl.** **D23/262**
- (58) **Field of Classification Search** D23/266;
285/11-12, 7, 177, 394, 395, 903, 307, 358,
285/179-183, 423; 4/321, 323; 292/58-59
See application file for complete search history.

(56) **References Cited**

U.S. PATENT DOCUMENTS

380,363	A *	4/1888	Sturgeon	285/70
549,733	A	11/1895	Limbert		
D128,314	S *	7/1941	Kelly	D23/262
3,078,109	A	2/1963	Jackson et al.		
D246,855	S *	1/1978	Treloar	D23/262
4,174,858	A	11/1979	Brooks		
4,688,833	A	8/1987	Todd		
4,708,370	A	11/1987	Todd		
5,417,460	A	5/1995	Lunder		
5,667,251	A	9/1997	Prest		
5,915,411	A	6/1999	Gilbert et al.		

OTHER PUBLICATIONS

- Ref. No. 1, Valve and Hose Adapter (P/N F02-3101), Valterra Website (www.valterra.com), Jan. 17, 2006.
- Ref. No. 2, BlueLine Hose Adapter (P/N 1-0004), Prest-O-Fit Website (www.prestofit.com), Jan. 17, 2006.
- Ref. No. 3, Easy Slip RV Straight Hose Adapter (P/N 39173), Camco Website (www.camco.net), Feb. 2, 2006.
- Ref. No. 4, RV Straight Hose Adapter (P/N 39413), Camco Website (www.camco.net), Feb. 2, 2006.

* cited by examiner

Primary Examiner—Ian Simmons
Assistant Examiner—Eric L Goodman

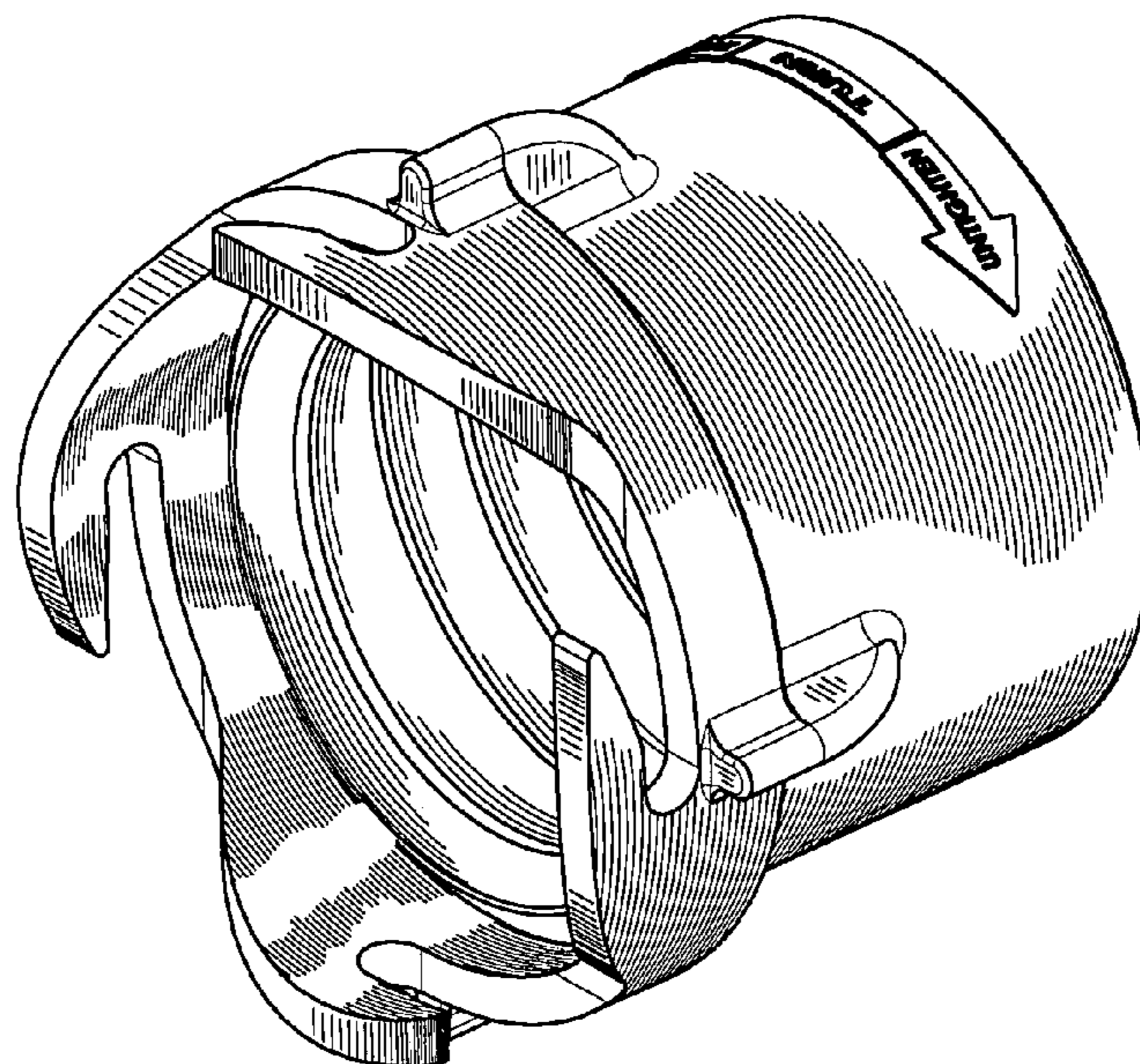
(57) **CLAIM**

The ornamental design for a straight adapter for 3" RV sewer hose, as shown and described.

DESCRIPTION

- FIG. 1 is an isometric view of a straight adapter for 3" RV sewer hose according to the invention;
- FIG. 2 is a front elevational view according to the invention;
- FIG. 3 is a top plan view according to the invention;
- FIG. 4 is a bottom plan view according to the invention;
- FIG. 5 is a rear elevational view according to the invention;
- FIG. 6 is a right elevational view according to the invention; and,
- FIG. 7 is a left elevational view according to the invention.

1 Claim, 4 Drawing Sheets



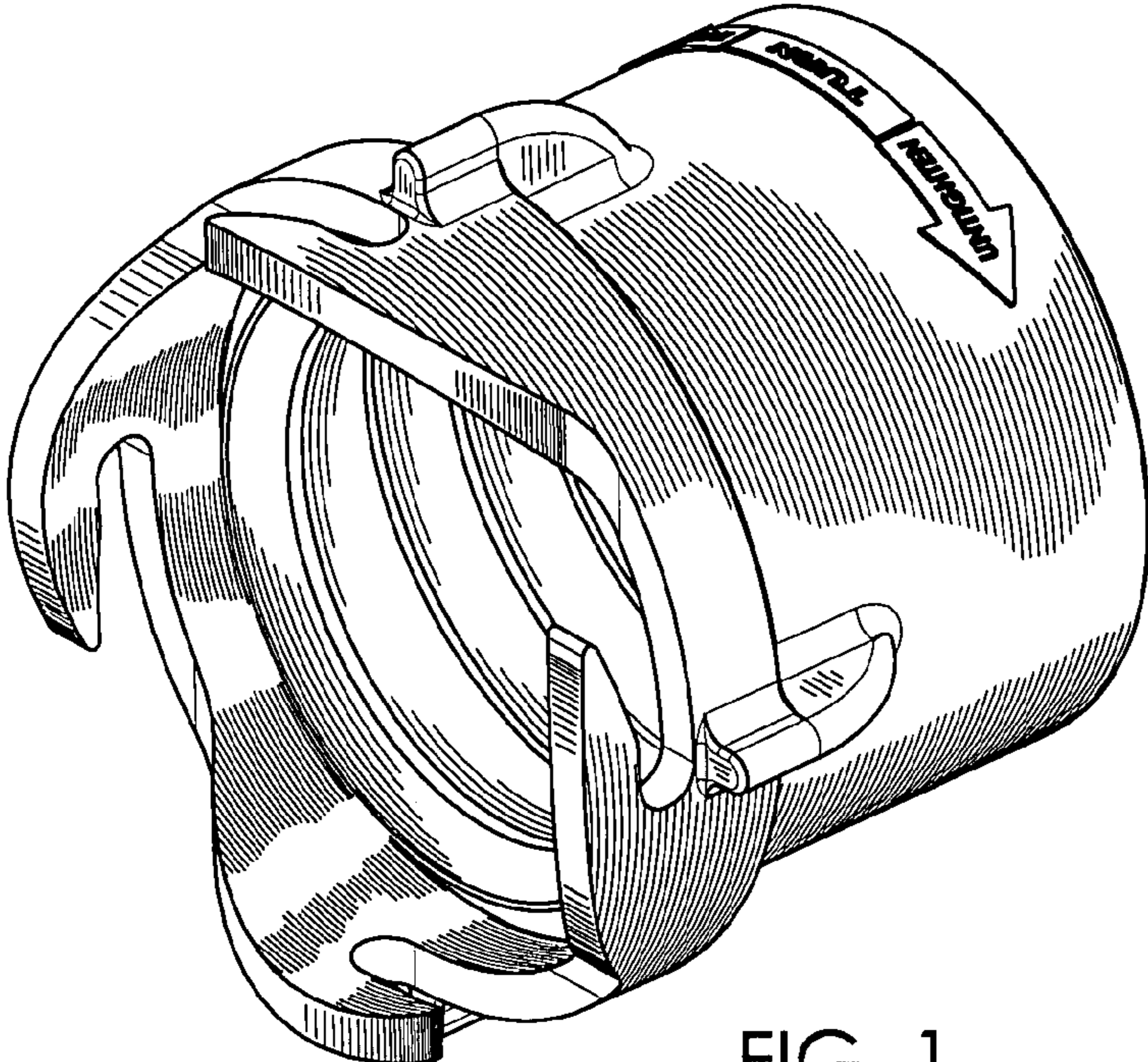


FIG. 1

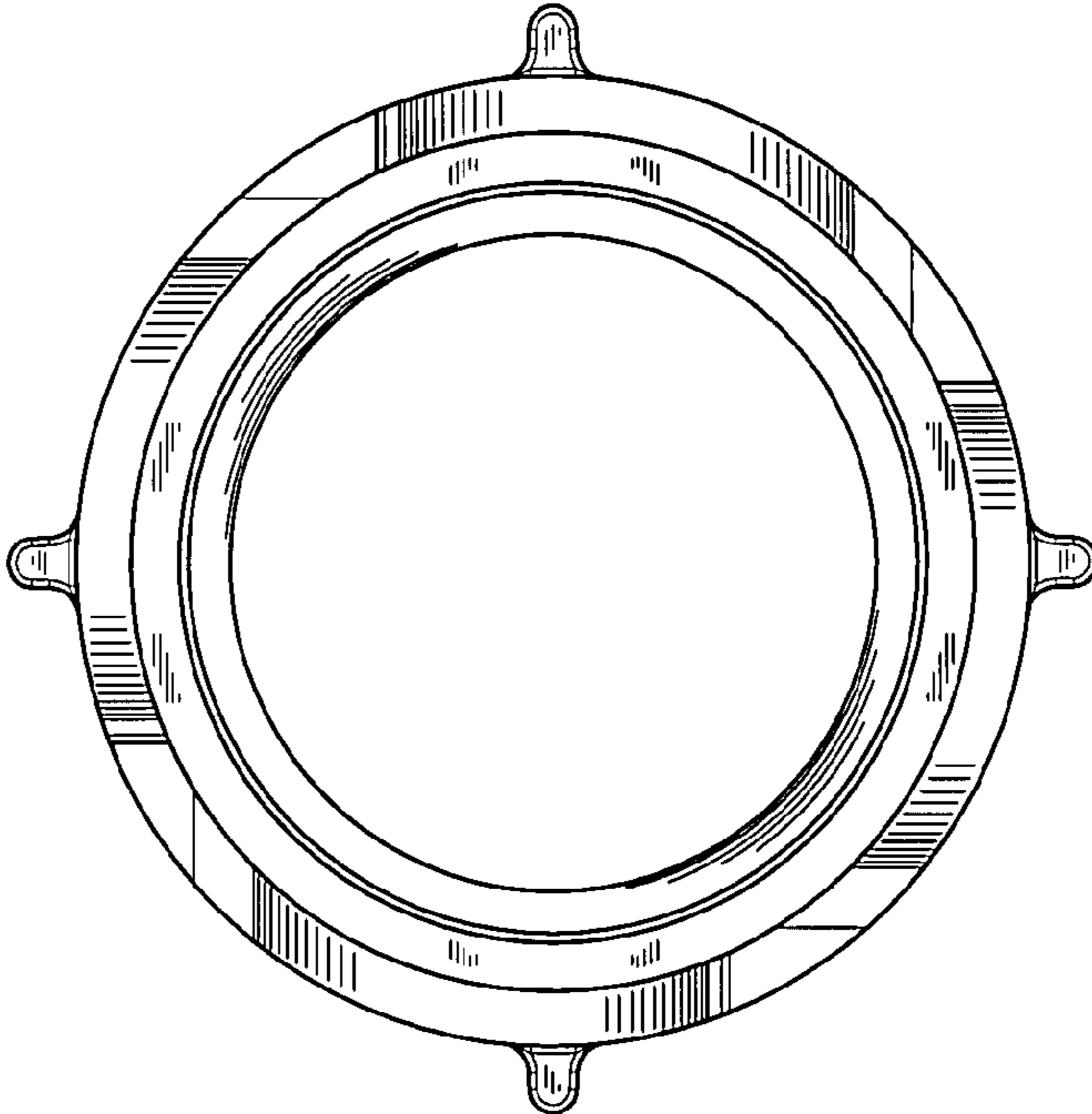


FIG. 2

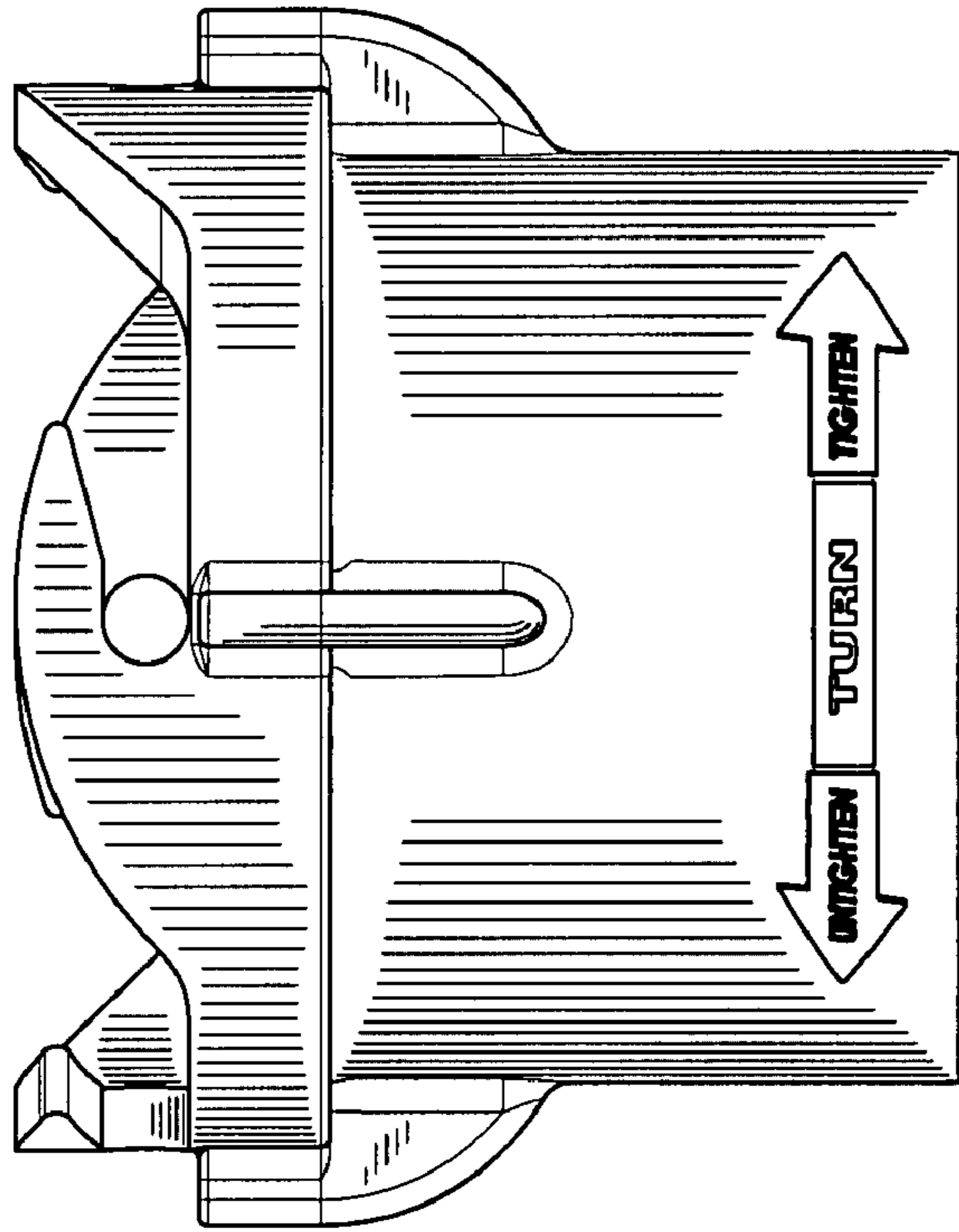


FIG. 3

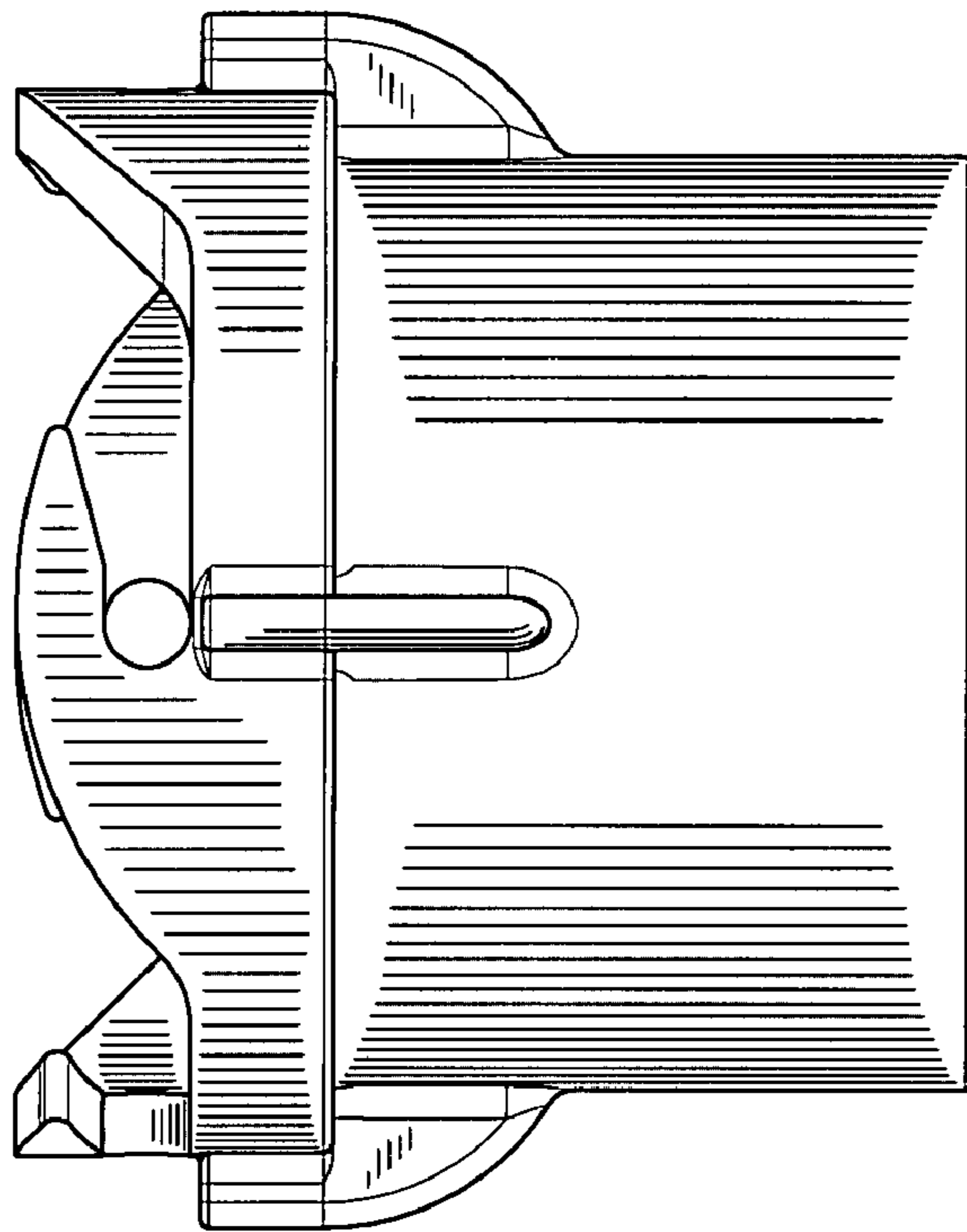


FIG. 4

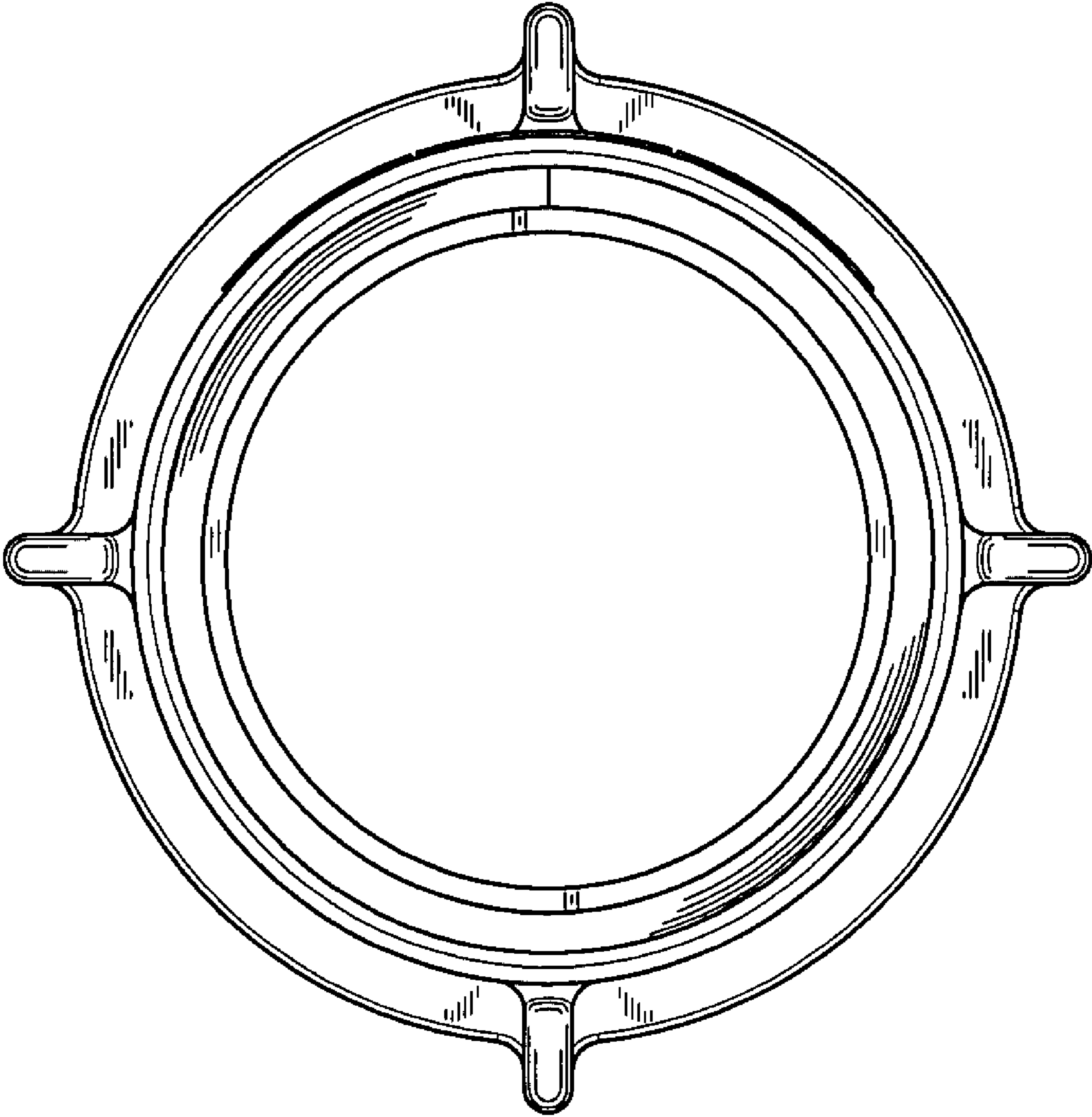


FIG. 5

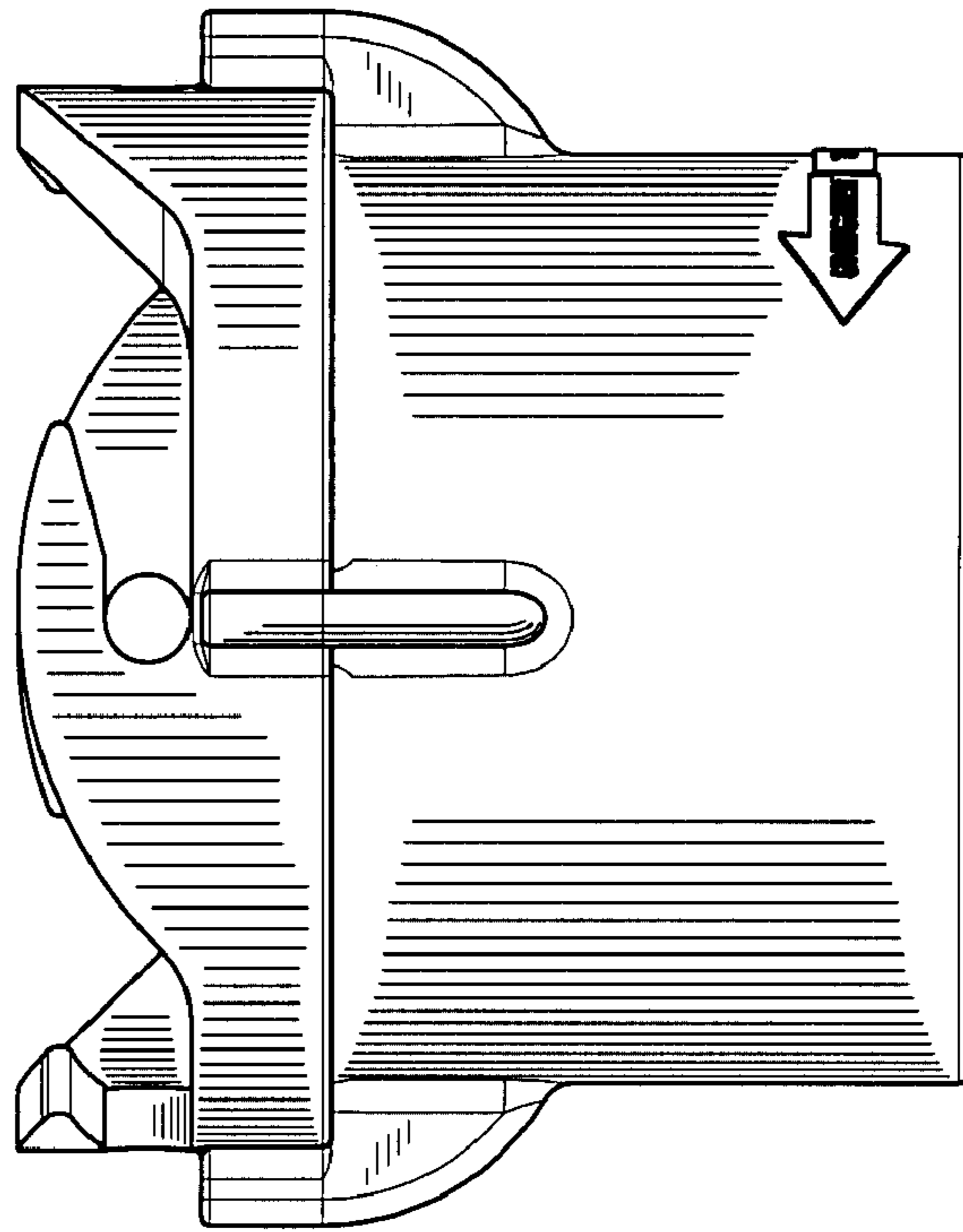


FIG. 6

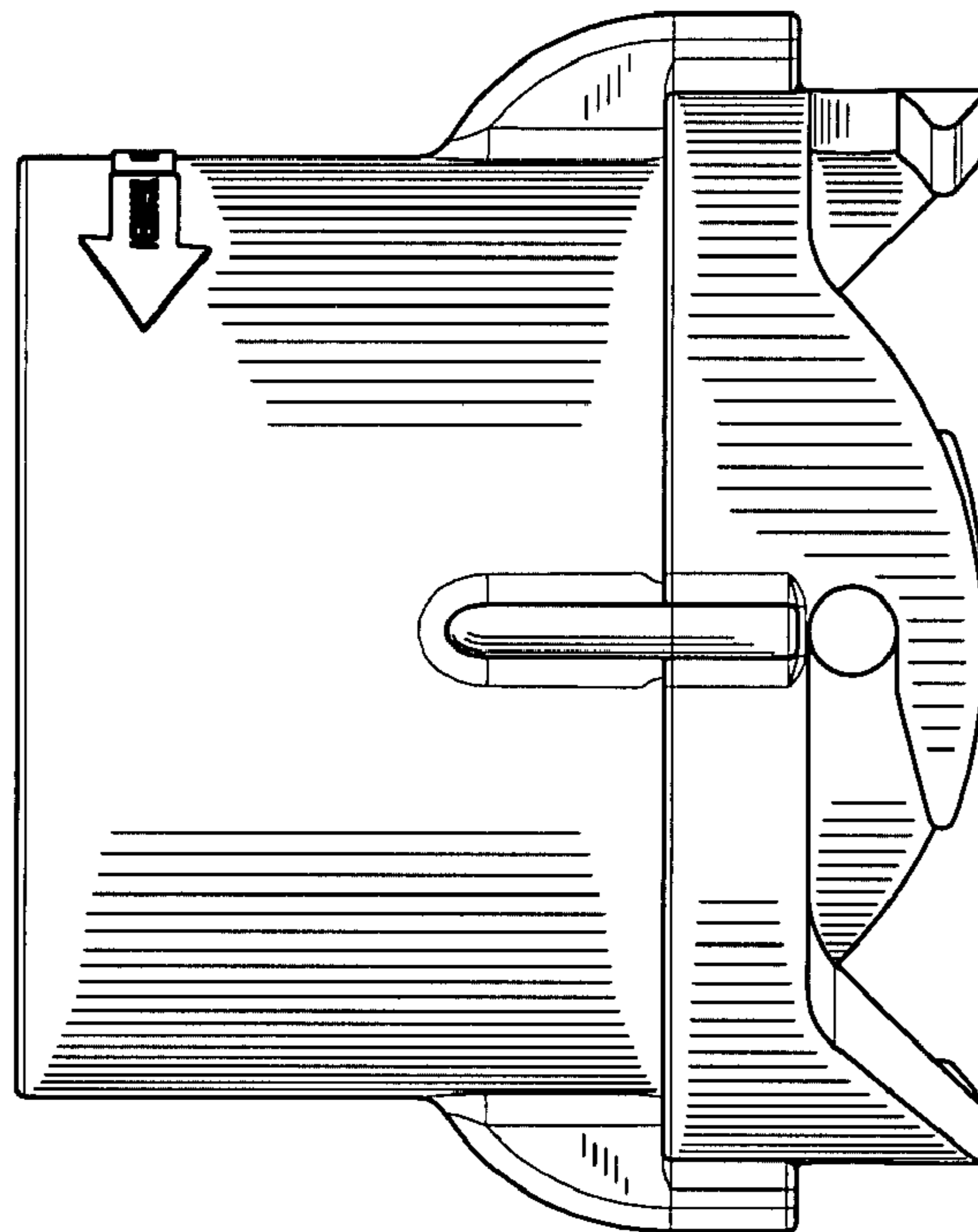


FIG. 7