

US00D561301S

(12) **United States Design Patent**
Troyer

(10) **Patent No.:** **US D561,301 S**

(45) **Date of Patent:** **** Feb. 5, 2008**

(54) **SOAP-DISPENSING SHOWER HEAD**

Primary Examiner—Robin V. Webster

(76) **Inventor:** **Mark M. Troyer**, P.O. Box 226,
Dundee, OH (US) 44624

(57) **CLAIM**

I claim, the ornamental design for the soap-dispensing shower head, as shown and described.

(**) **Term:** **14 Years**

(21) **Appl. No.:** **29/270,400**

(22) **Filed:** **Dec. 21, 2006**

DESCRIPTION

(51) **LOC (8) Cl.** **23-01**

(52) **U.S. Cl.** **D23/228**

(58) **Field of Classification Search** D23/213,
D23/228–230; D6/542; 4/525; 239/391
See application file for complete search history.

FIG. 1 is a front elevational view of the soap-dispensing shower head showing my new design;

FIG. 2 is a rear elevational view of the soap-dispensing shower head thereof;

FIG. 3 is a left-side elevational view of the soap-dispensing shower head thereof;

FIG. 4 is right side elevational view of the soap-dispensing shower head thereof;

FIG. 5 is a top plan view of the soap-dispensing shower head thereof; and,

FIG. 6 is a bottom plan view of the soap-dispensing shower head thereof.

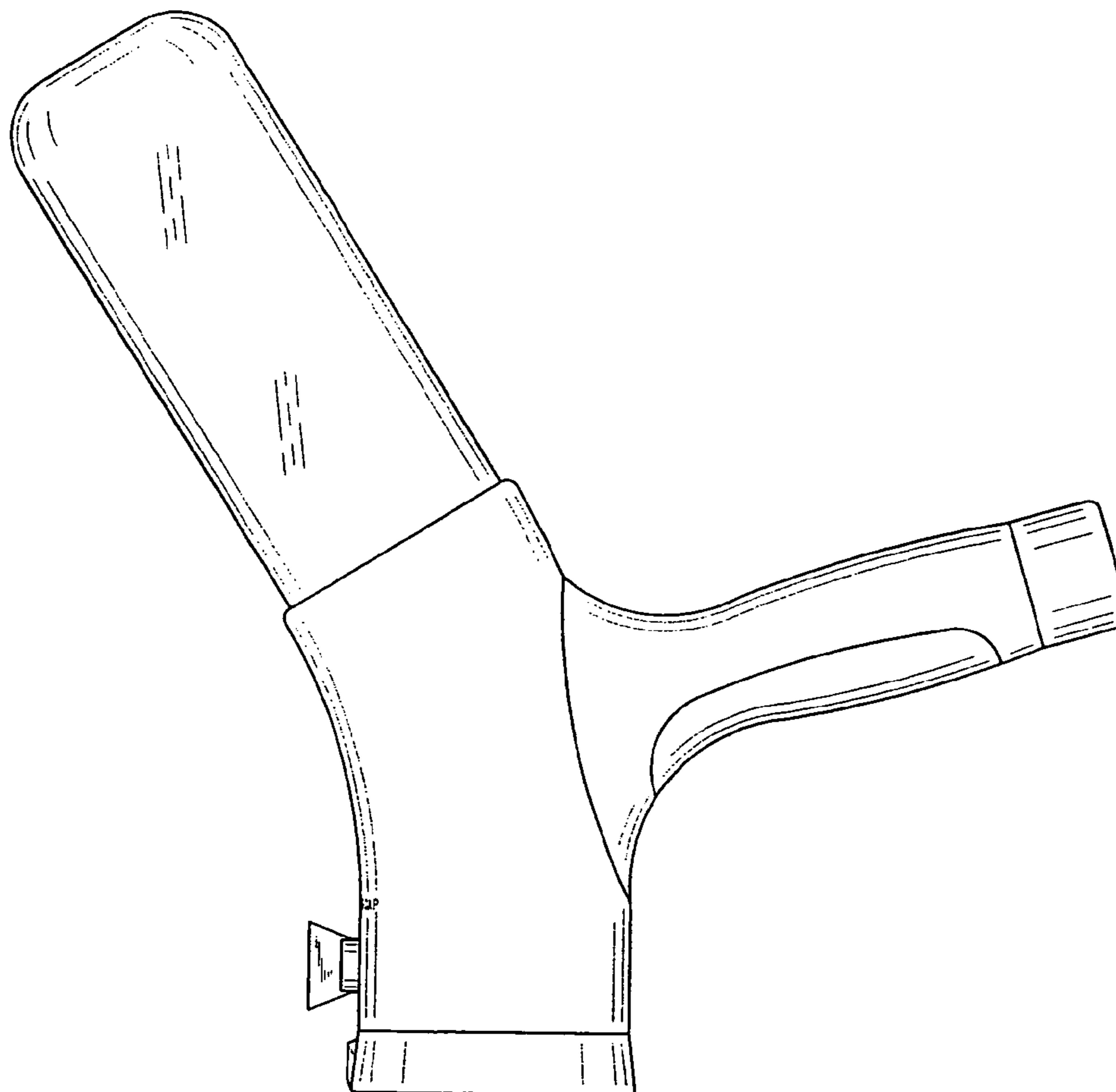
(56) **References Cited**

U.S. PATENT DOCUMENTS

| | | | | | |
|-------------|---|---------|-------------------|-------|---------|
| D253,187 S | * | 10/1979 | Stucky | | D23/228 |
| D329,892 S | * | 9/1992 | Brister | | D23/228 |
| 6,006,374 A | * | 12/1999 | Winnett et al. | | 4/525 |
| D529,575 S | * | 10/2006 | Birrenkott et al. | | D23/223 |
| D536,419 S | * | 2/2007 | O'Brien et al. | | D23/228 |

* cited by examiner

1 Claim, 4 Drawing Sheets



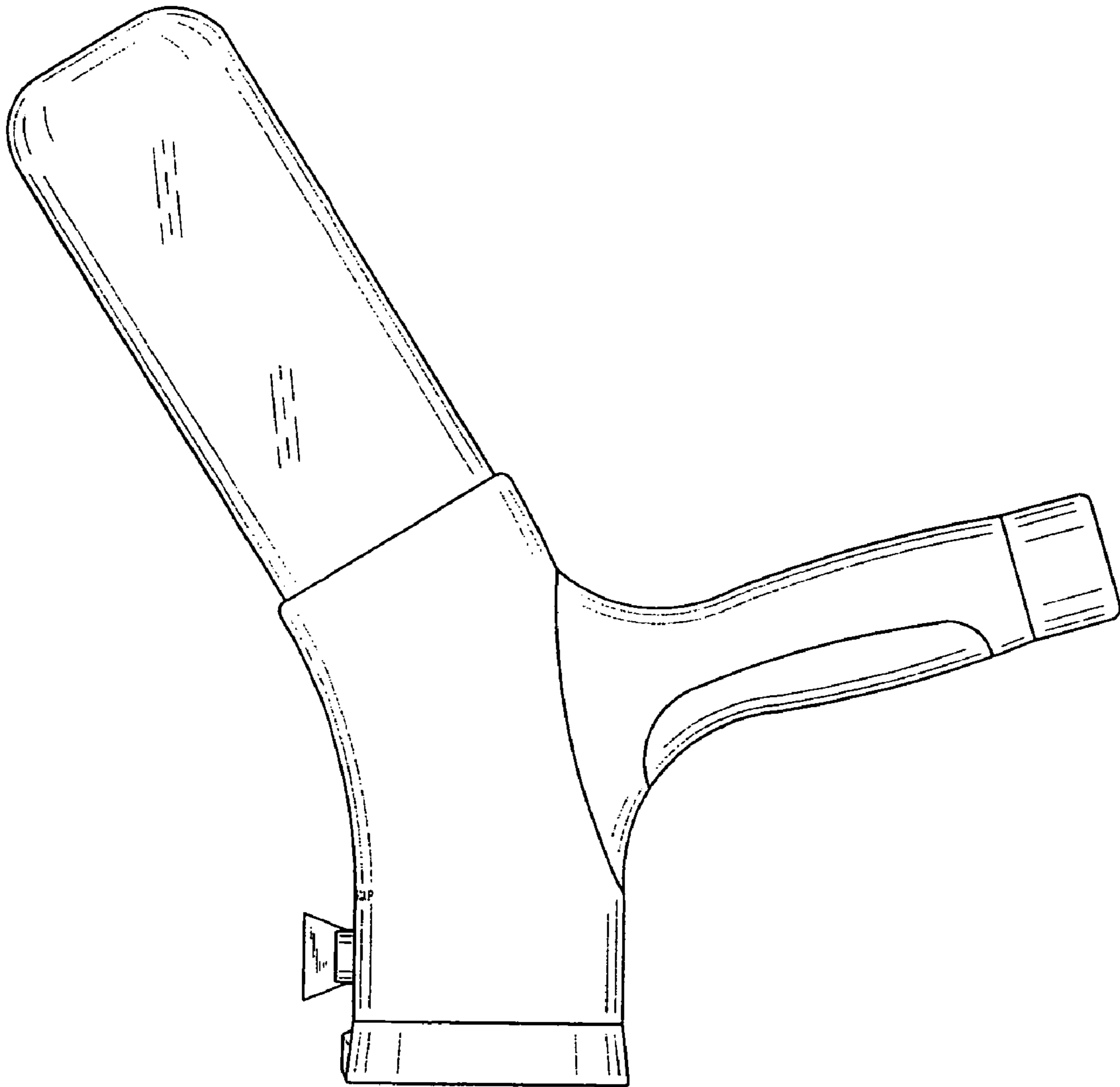


FIG. 1

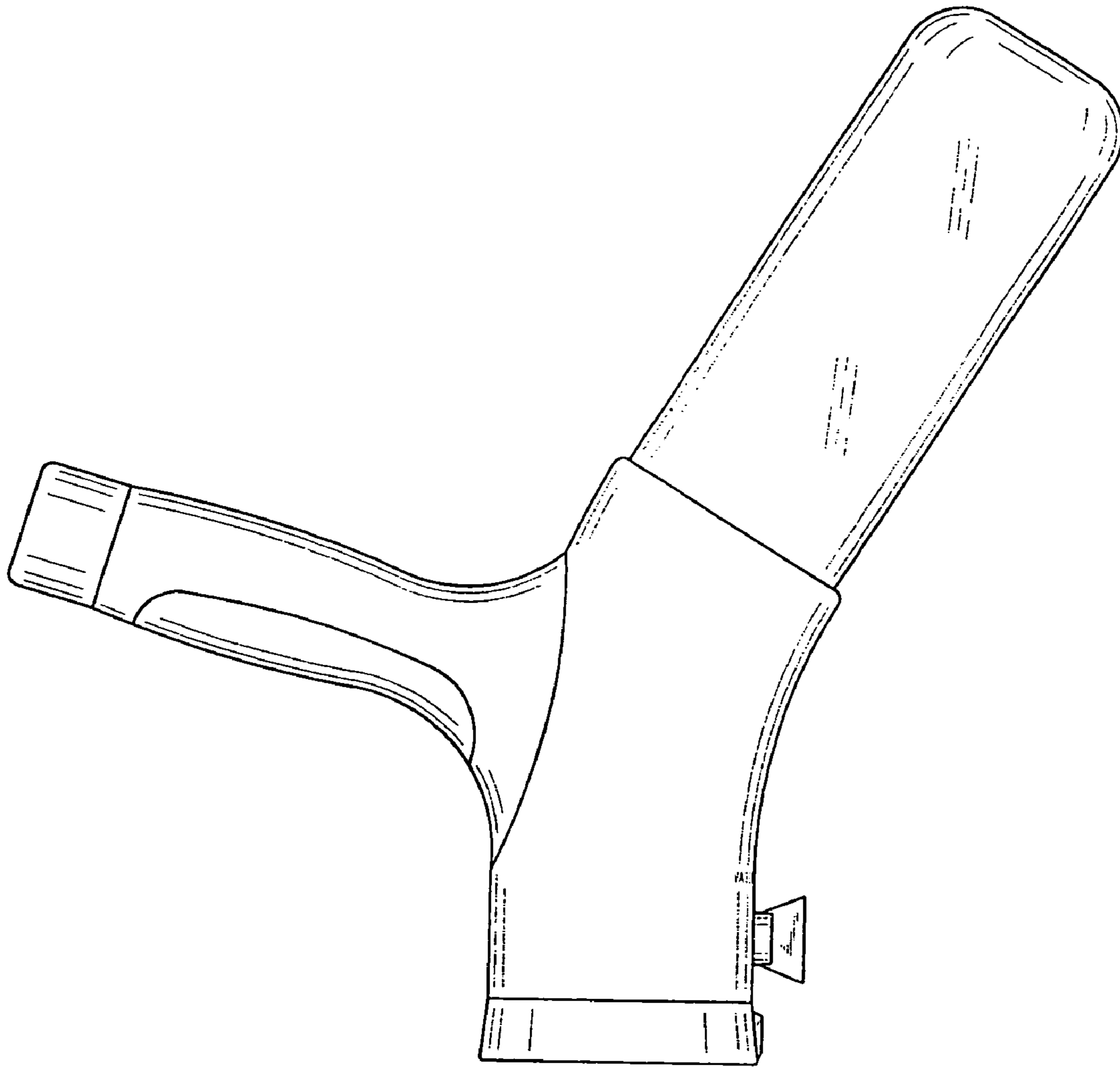


FIG. 2

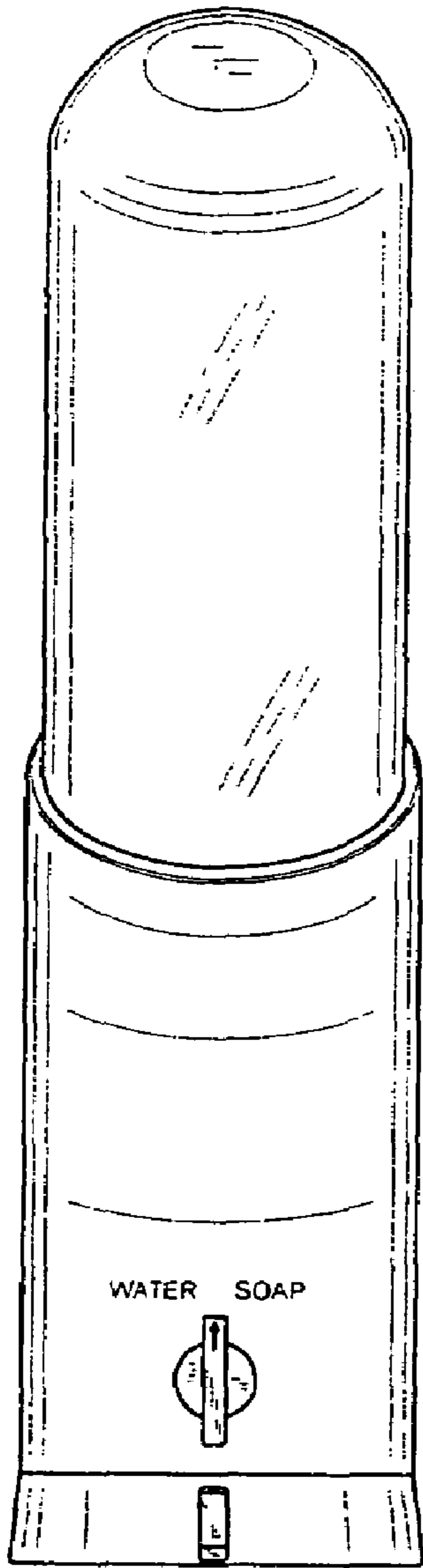


FIG. 3

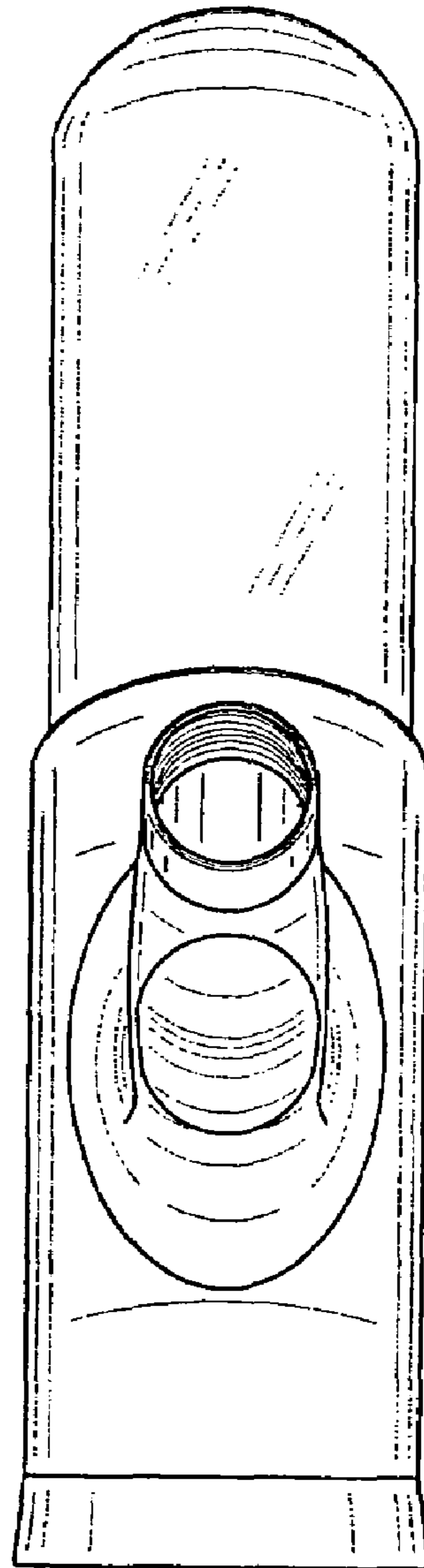


FIG. 4

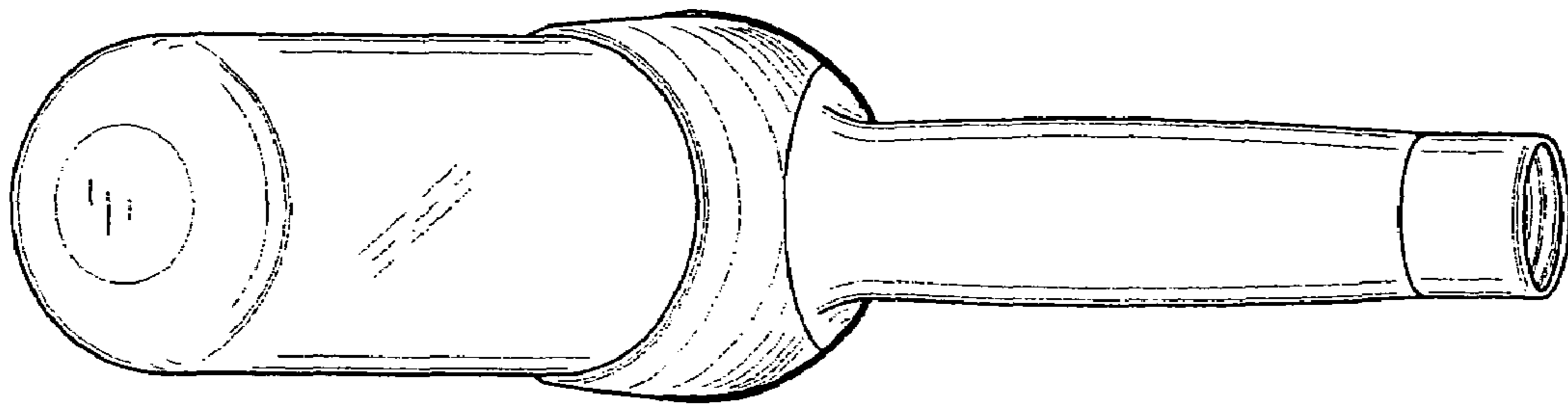


FIG. 5

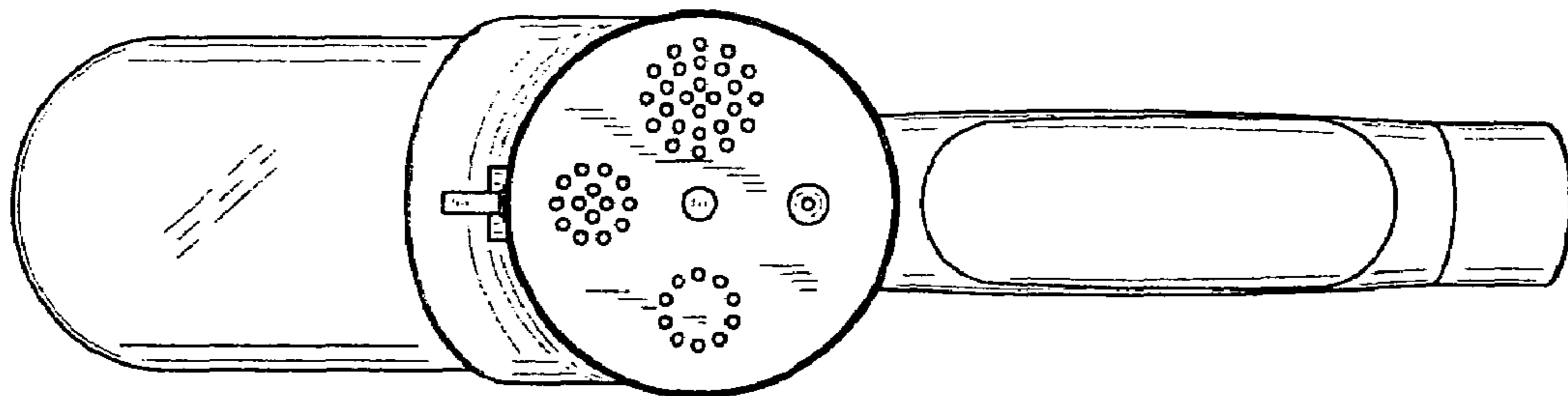


FIG. 6