

US00D561298S

(12) **United States Design Patent** (10) **Patent No.:** **US D561,298 S**
Brockington et al. (45) **Date of Patent:** **** Feb. 5, 2008**

(54) **TWO PIECE PROPANE TANK COVER WITH ACCESS LID**

Ref. No. 4, See sheet 3 for note on sheets 1-3 ,Sheet 4 came from: AmeriKart Website (www.kart.com)-click on RV, Dec. 1, 2006.

(75) Inventors: **William T. Brockington**, Kernersville, NC (US); **Anthony D. Moore**, Summerfield, NC (US)

* cited by examiner

Primary Examiner—Robin V Webster

(73) Assignee: **Camco Manufacturing, Inc.**, Greensboro, NC (US)

(57) **CLAIM**

The ornamental design for an two piece propane tank cover with access lid, as shown and described.

(**) Term: **14 Years**

(21) Appl. No.: **29/271,007**

DESCRIPTION

(22) Filed: **Jan. 8, 2007**

(51) **LOC (8) Cl.** **23-01**

(52) **U.S. Cl.** **D23/206**

(58) **Field of Classification Search** D23/202, D23/206; 220/634–635, 562, 565; 248/346.01, 248/310; 206/0.6

See application file for complete search history.

FIG. 1 is a top, right, front exploded perspective view of a two piece propane tank cover with access lid showing our new design, the access lid removed for clarity of illustration;

FIG. 2 is top, left rear exploded perspective view thereof;

FIG. 3 is a top, right front perspective view of an assembled two piece propane tank cover with access lid according to the invention. The access lid being installed and in the closed position;

FIG. 4 is a top, right front perspective view of the invention of FIG. 3 with access lid in the open position. The dash dot lines show the course of the fasteners which keep the access lid in the closed position;

FIG. 5 is a front elevational view of the invention of FIG. 3;

FIG. 6 is a rear elevational view of the invention of FIG. 3;

FIG. 7 is a top plan view of the invention of FIG. 3;

FIG. 8 is a left elevational view of the invention of FIG. 3;

FIG. 9 is a right elevational view of the invention of FIG. 3; and,

FIG. 10 is a bottom plan view of the invention of FIG. 3. The propane tanks are not shown for clarity of detail of the inside of the invention.

The dash double dot lines in FIGS. 1, 2 and 4 are for illustrative purposes only to show the propane tanks the invention covers and form no part of the claimed design.

(56) **References Cited**

U.S. PATENT DOCUMENTS

3,343,703	A *	9/1967	Snyder	220/562
4,964,529	A	10/1990	Houston		
5,651,474	A *	7/1997	Callaghan et al.	220/565
6,012,411	A	1/2000	Hochbrueckner		
6,102,230	A	8/2000	Gould		
6,123,187	A	9/2000	Bartels		
D473,629	S	4/2003	Johnson		
D525,792	S	8/2006	Leighton		

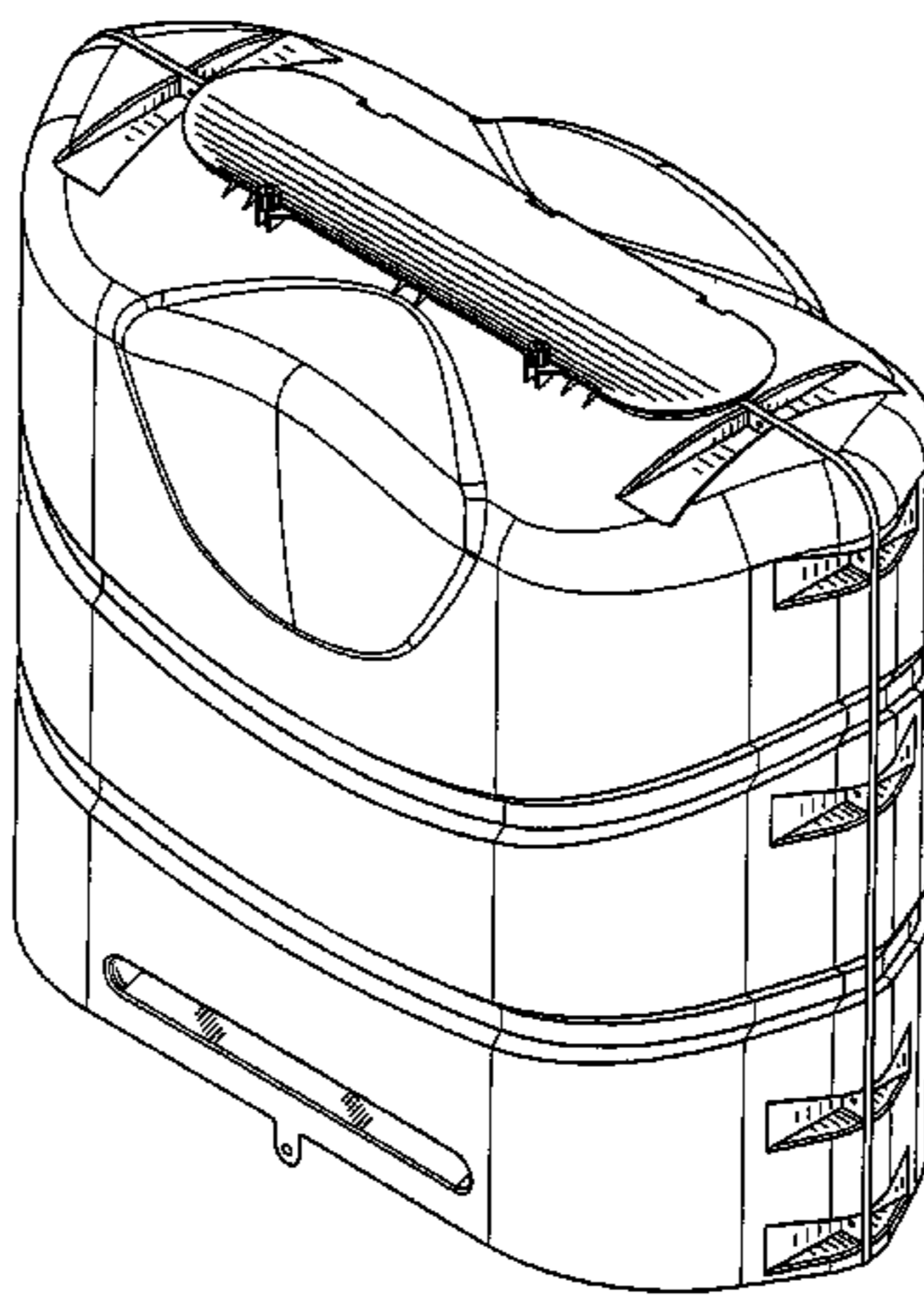
OTHER PUBLICATIONS

Ref. No. 1, 2006 Camco RV catalog, Greensboro, NC, Hvy Duty Propane Tank Cover, p. 45, Item H, Dec. 1, 2006.

Ref. No. 2, A scanned page from a Pre-2006 Camco catalog, Greensboro, NC, p. 16 Item Nos. 40392 & 40442, Dec. 1, 2006.

Ref. No. 3, Propane Tank Cover, ADCO Website (www.adcoprod.com), Nov. 7, 2006.

1 Claim, 8 Drawing Sheets



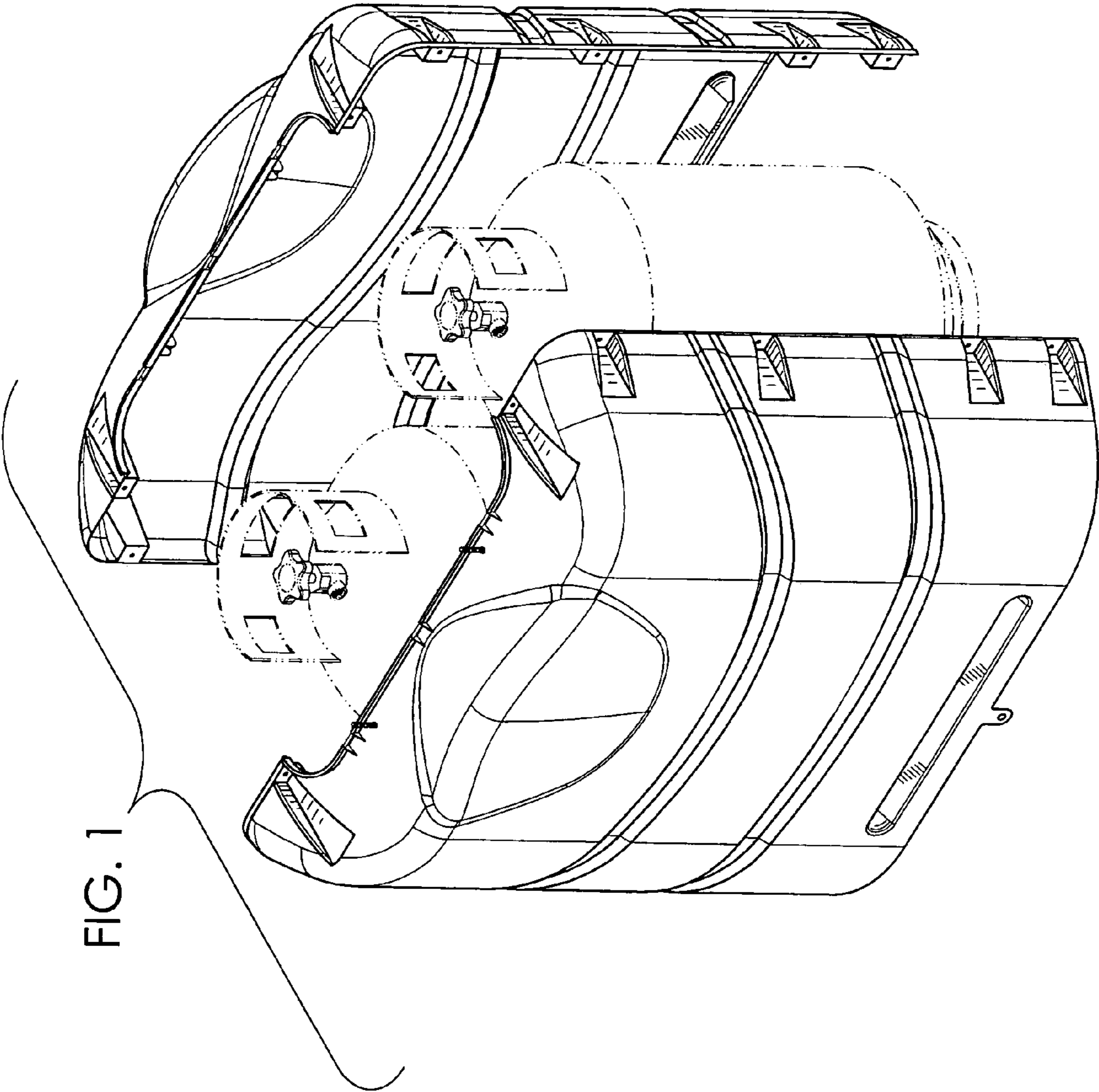


FIG. 1

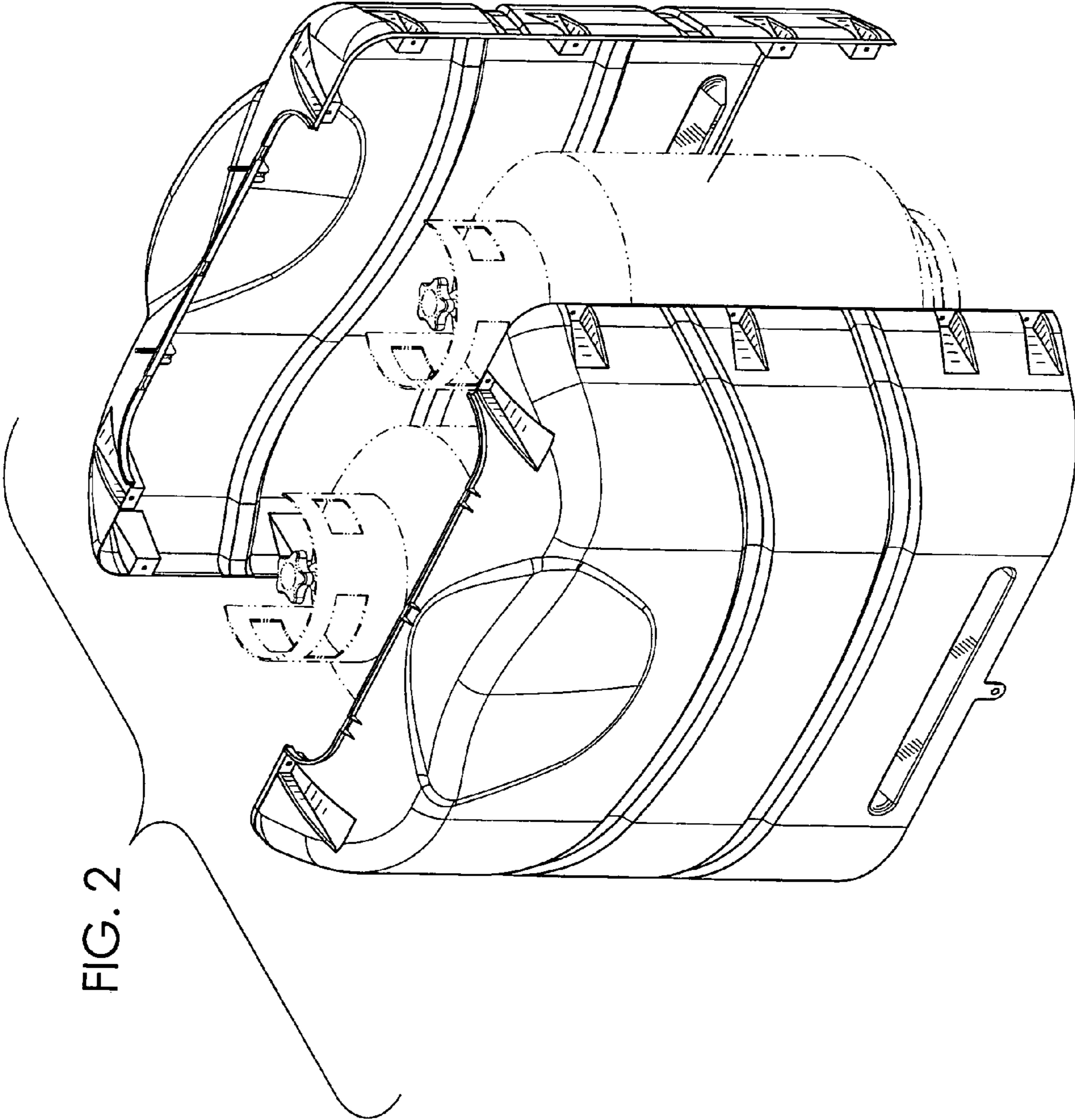


FIG. 2

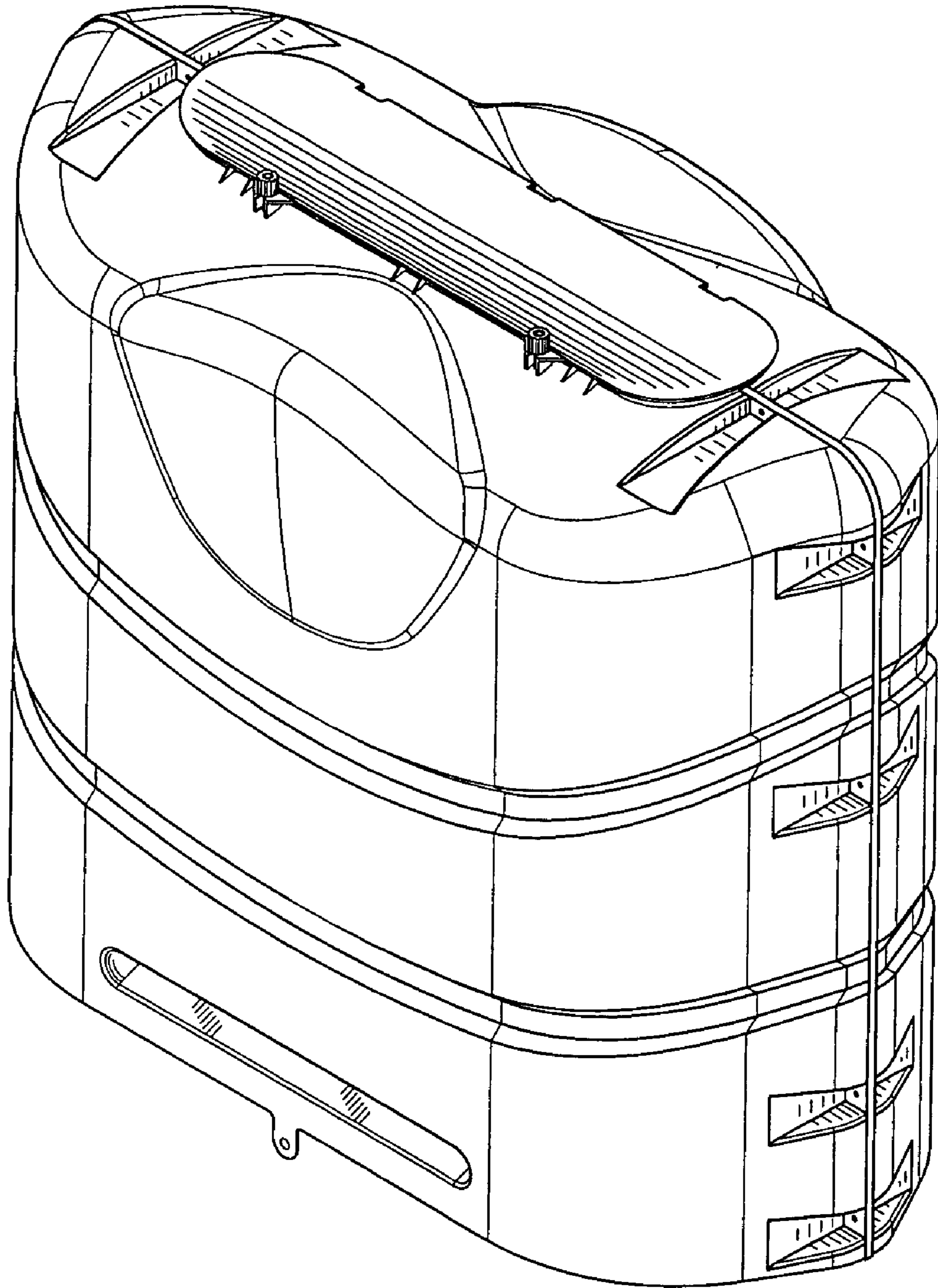


FIG. 3

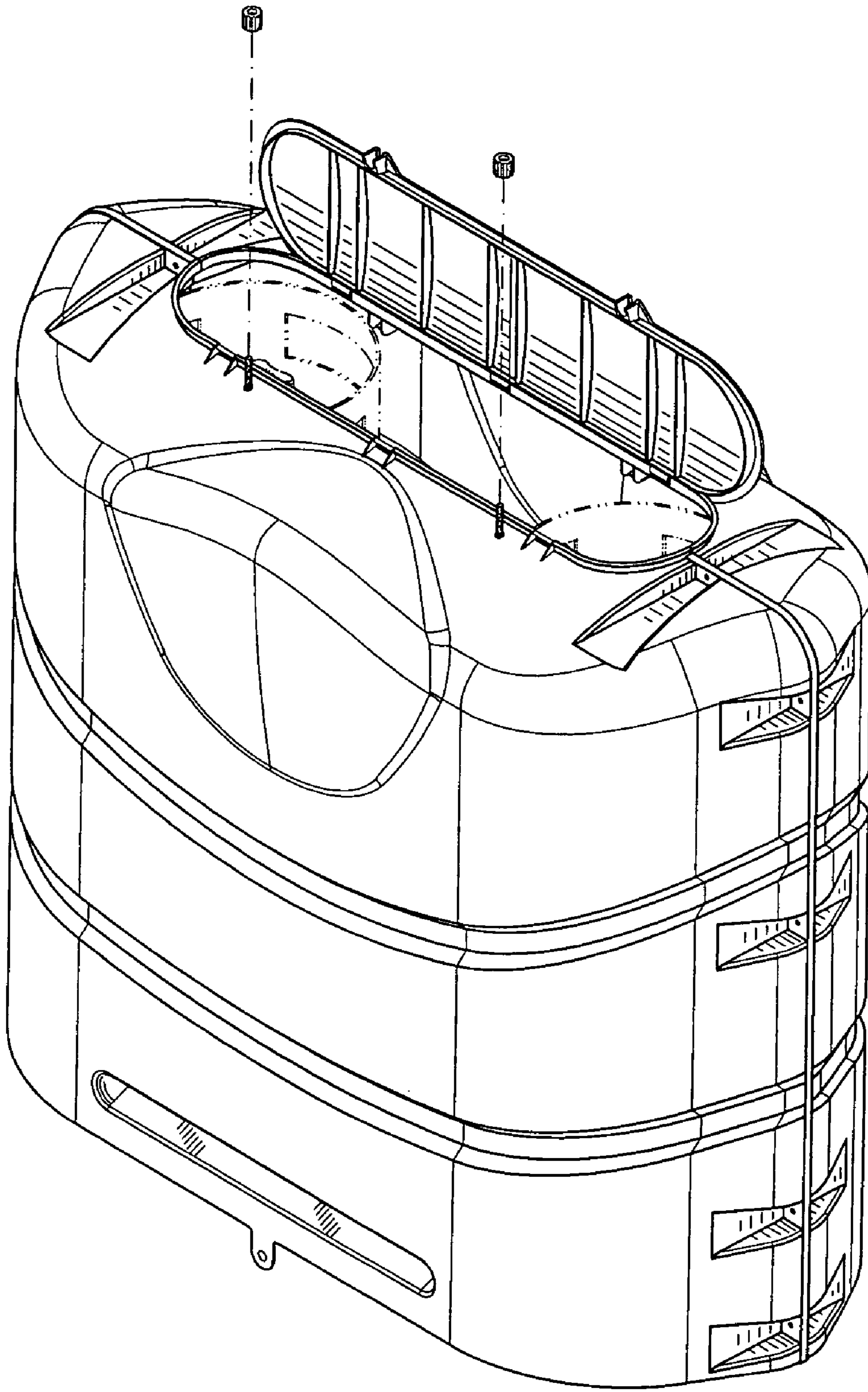


FIG. 4

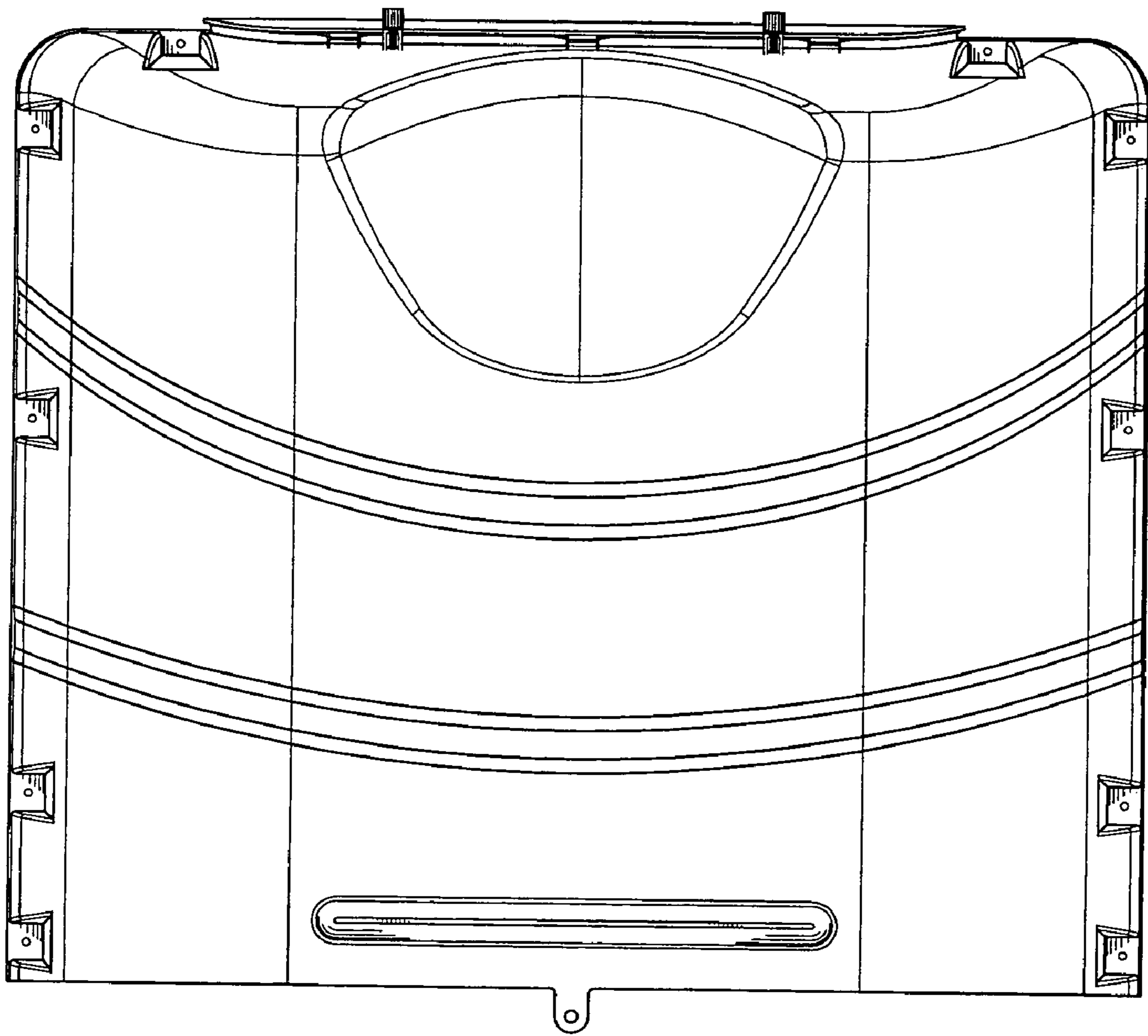


FIG. 5

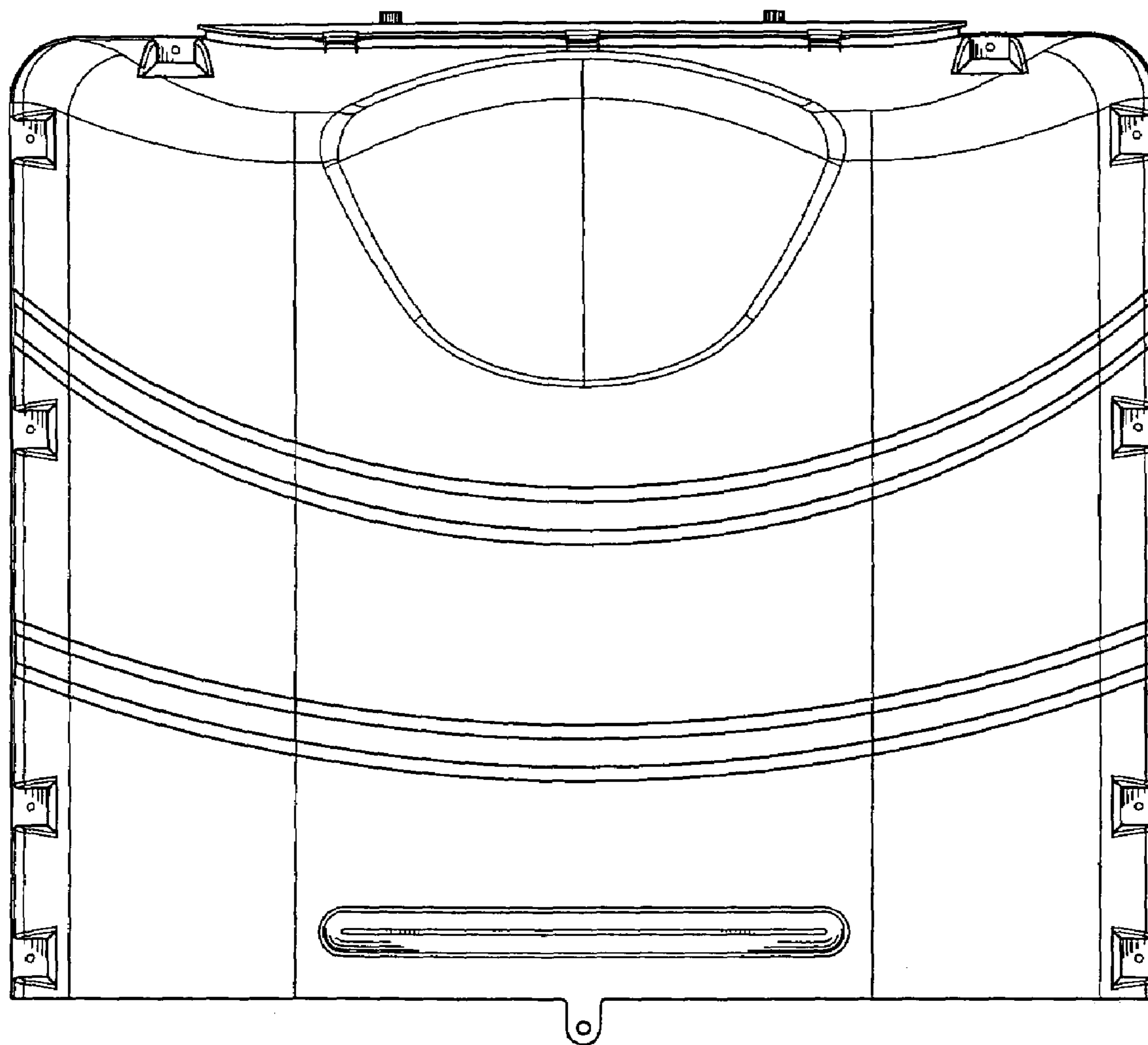


FIG. 6

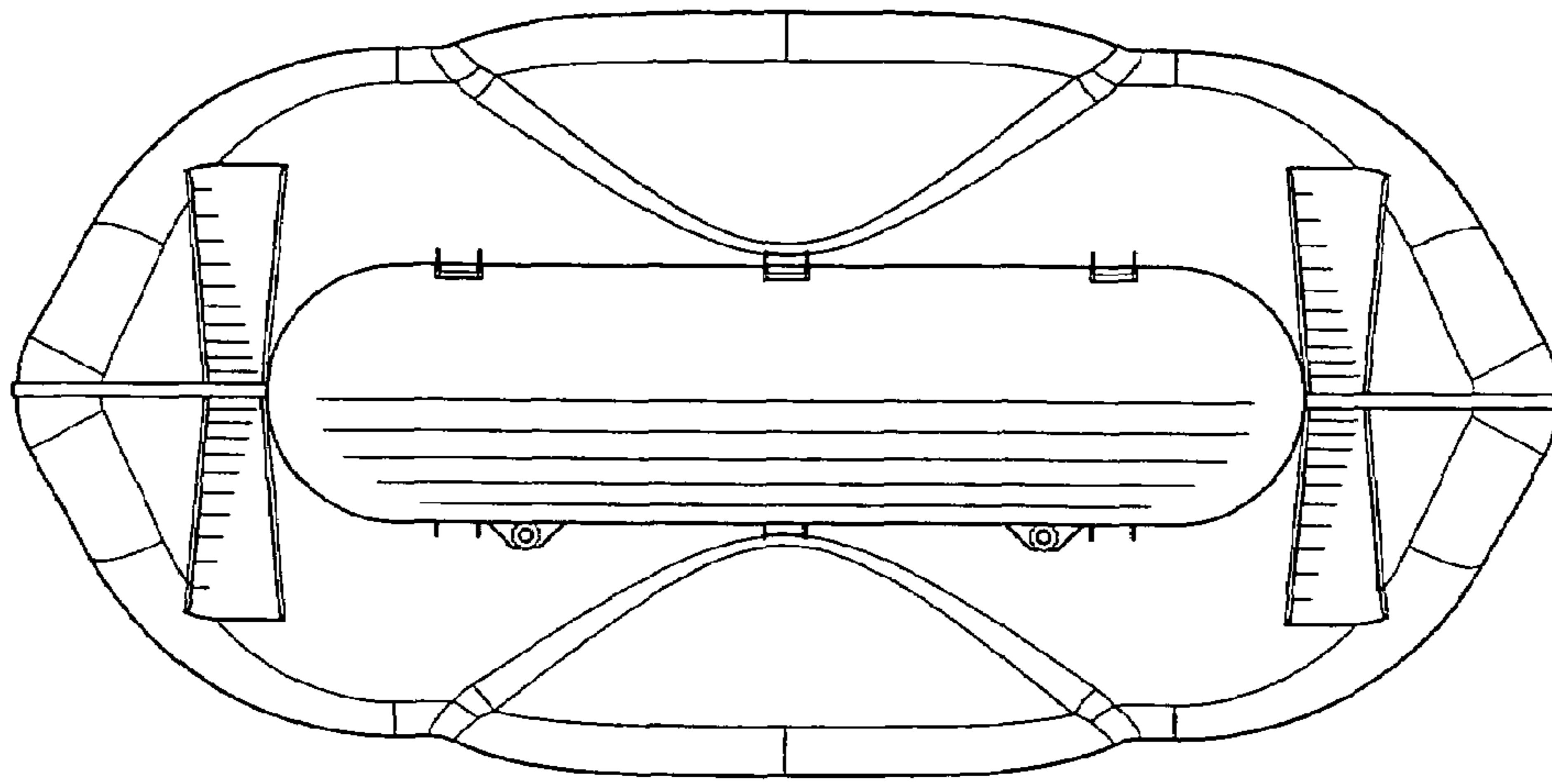


FIG. 7

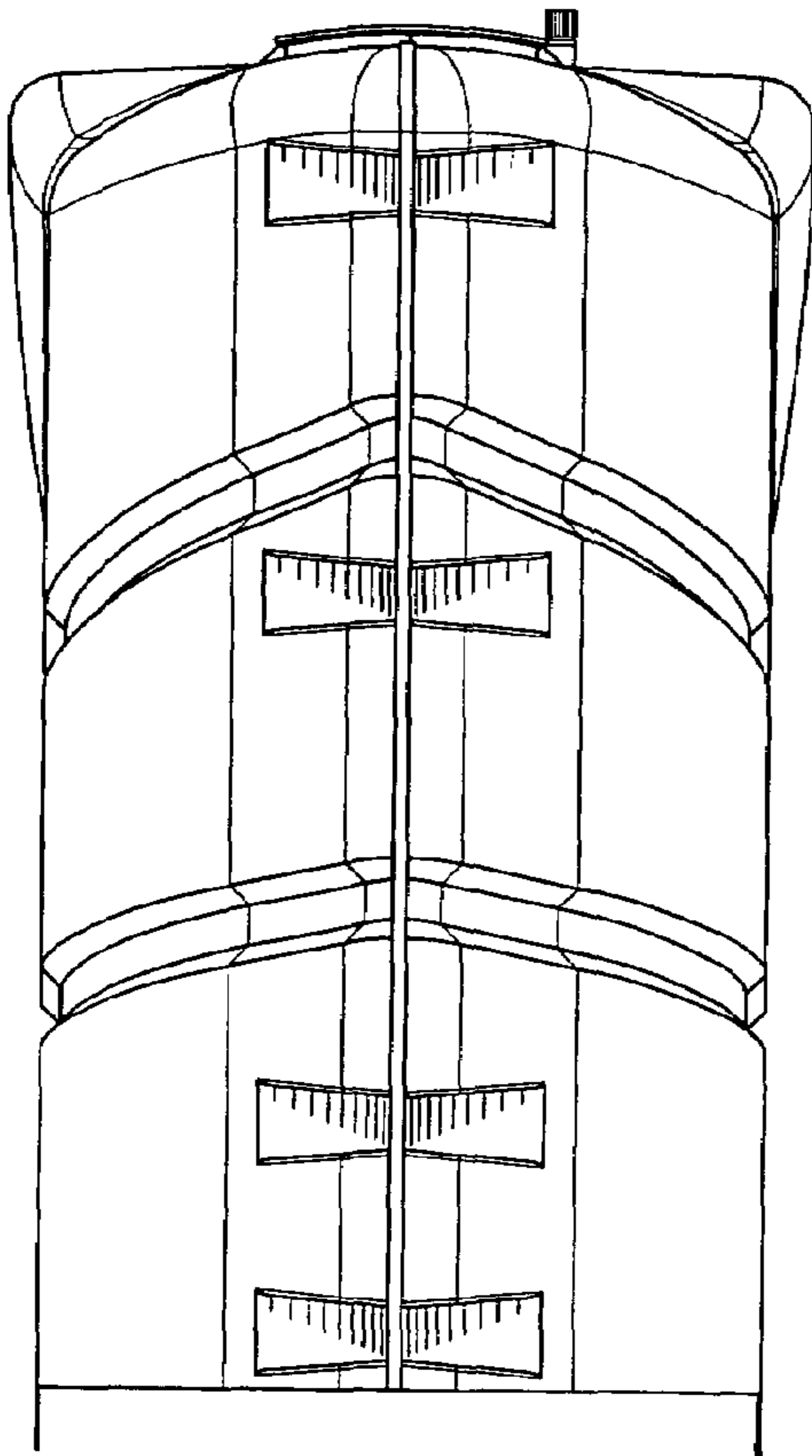


FIG. 8

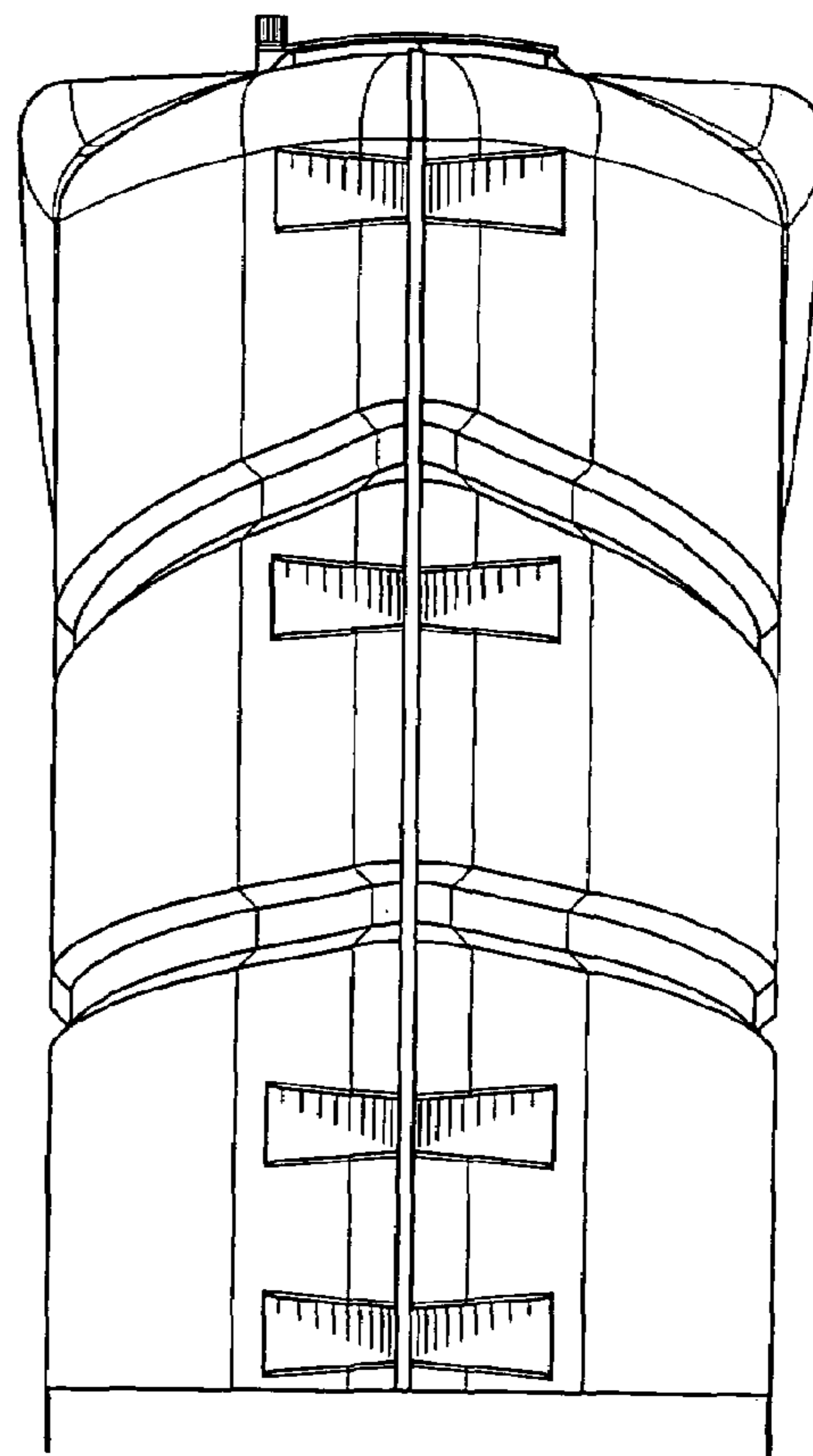


FIG. 9

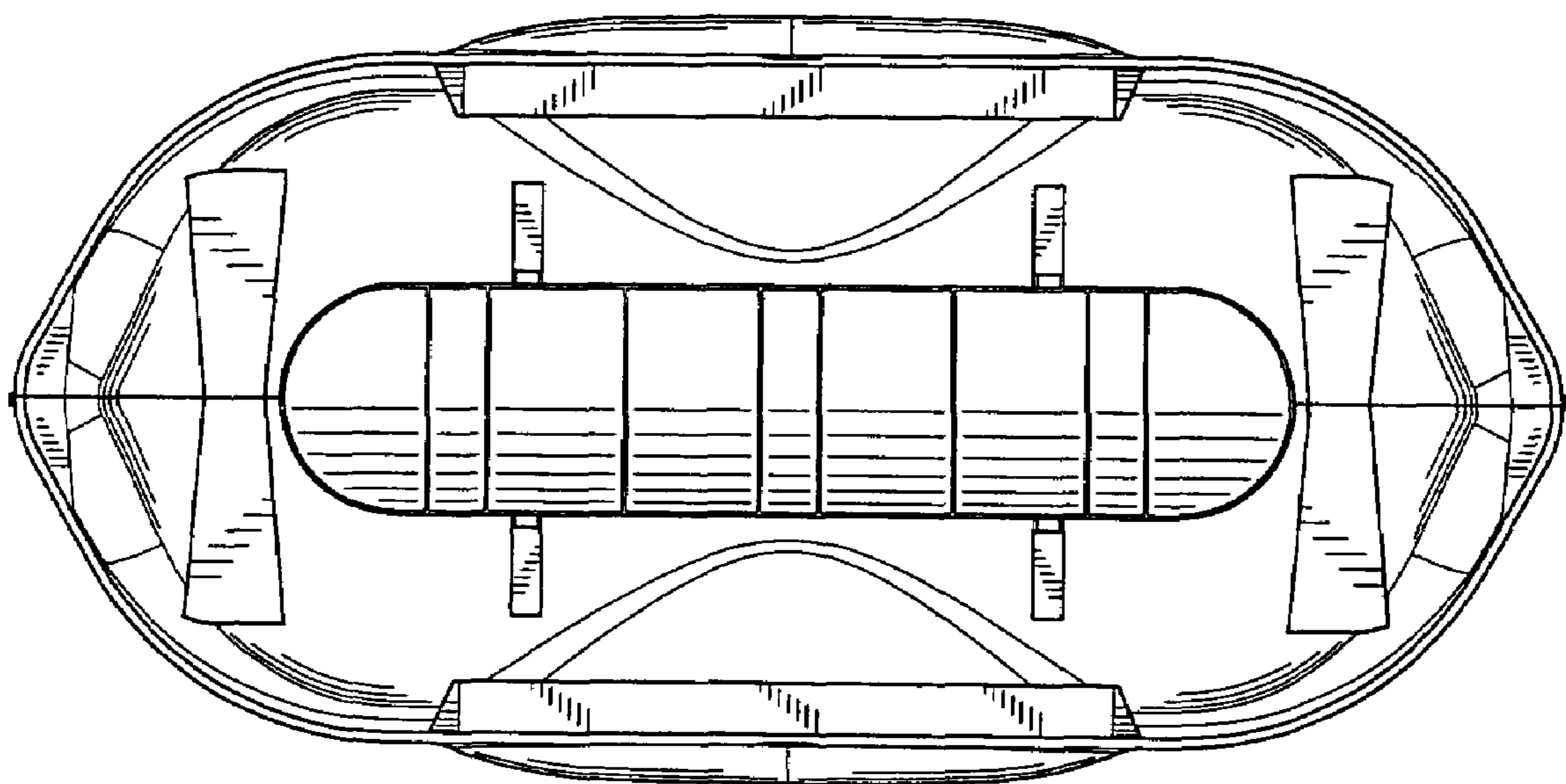


FIG. 10