

US00D561295S

(12) **United States Design Patent**
Taylor

(10) **Patent No.:** **US D561,295 S**

(45) **Date of Patent:** **** Feb. 5, 2008**

(54) **KNIFE**

(75) Inventor: **Stewart A. Taylor**, Kingsport, TN (US)

(73) Assignee: **Taylor Brands, LLC**, Kingsport, TN (US)

(**) Term: **14 Years**

(21) Appl. No.: **29/248,755**

(22) Filed: **Aug. 31, 2006**

(51) **LOC (8) Cl.** **22-02**

(52) **U.S. Cl.** **D22/118**

(58) **Field of Classification Search** D22/117-120;
30/151-154, 160, 355, 342, 294, 314, 320,
30/340, 251, 294.4, 297-298; D8/95-99
See application file for complete search history.

(56) **References Cited**

U.S. PATENT DOCUMENTS

4,283,854 A * 8/1981 Austin 30/314
D473,911 S * 4/2003 Green D22/118
6,658,743 B2 * 12/2003 Dudley et al. 30/314
D502,526 S * 3/2005 Rae D22/118

OTHER PUBLICATIONS

Smokey Mountain Knifeworks, Bear 8 inch guthook with Black Kraton Handle, Bear & Son Cutlery, Inc., 2001.*

Smokey Mountain Knifeworks, Bear 8 inch guthook with India Stag Bone Handle, Bear & Son Cutlery, Inc., 2001.*

Smokey Mountain Knifeworks, Bear 8 inch Damascus guthook with India Stag Bone Handle, Bear & Son Cutlery, Inc., 2001.*

* cited by examiner

Primary Examiner—Catherine R. Oliver

(74) *Attorney, Agent, or Firm*—Luedeka, Neely & Graham, PC

(57) **CLAIM**

The ornamental design for a knife, as shown.

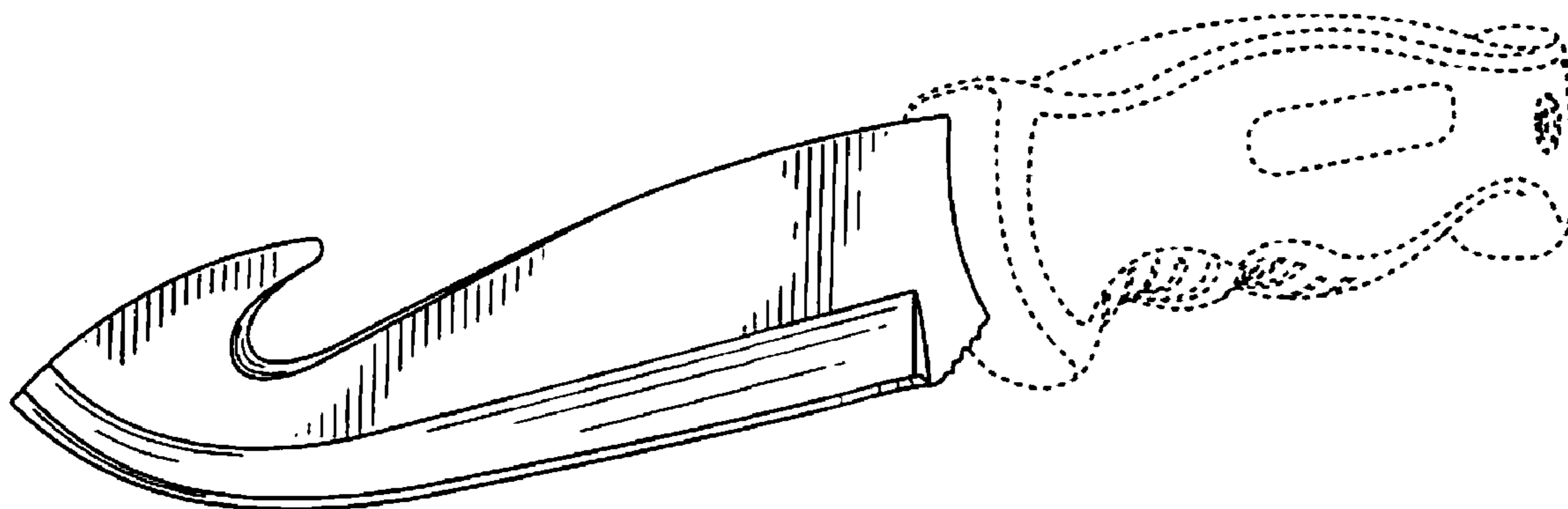
DESCRIPTION

FIG. 1 is a perspective view of the knife of my new design; FIG. 2 is a left side view of the knife of my new design; FIG. 3 is a top plan view of the knife of my new design; FIG. 4 is a right side view of the knife of my new design; FIG. 5 is a bottom plan view of the knife of my new design; FIG. 6 is a front end view of the knife of my new design; and,

FIG. 7 is a rear end view of the knife of my new design.

The broken line showing of environment in the drawings is included for the purpose of illustrating only and forms no part of the claimed design.

1 Claim, 4 Drawing Sheets



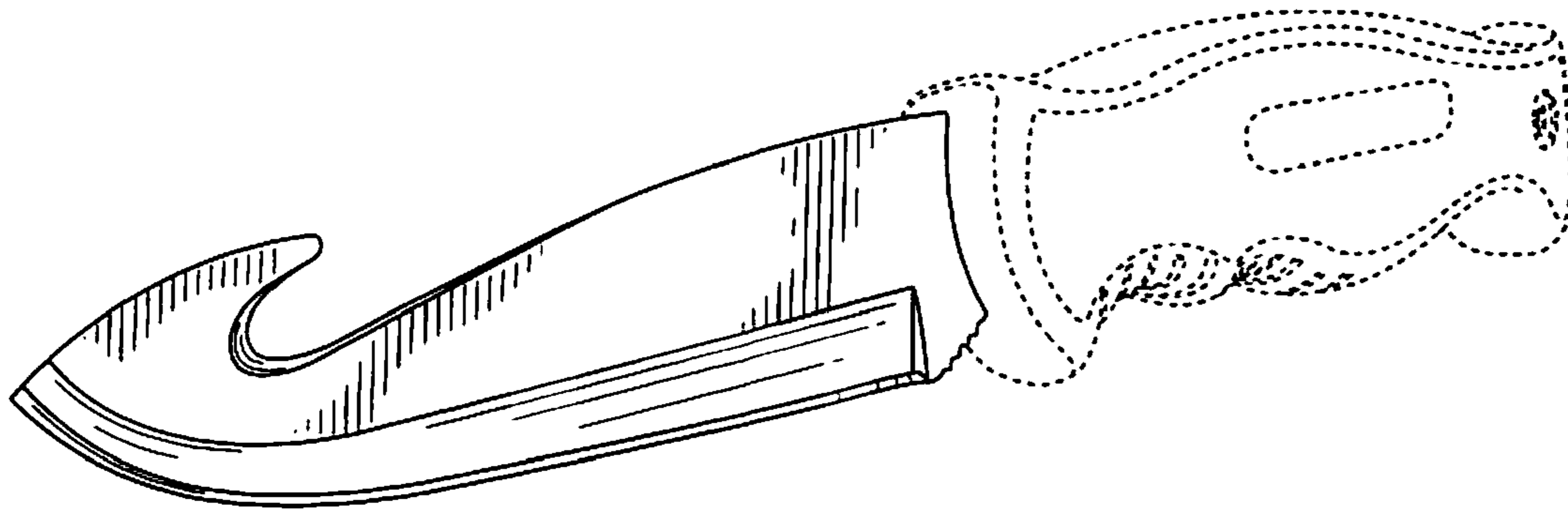
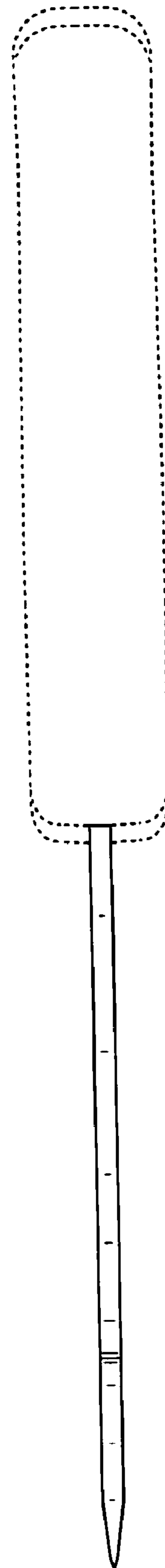
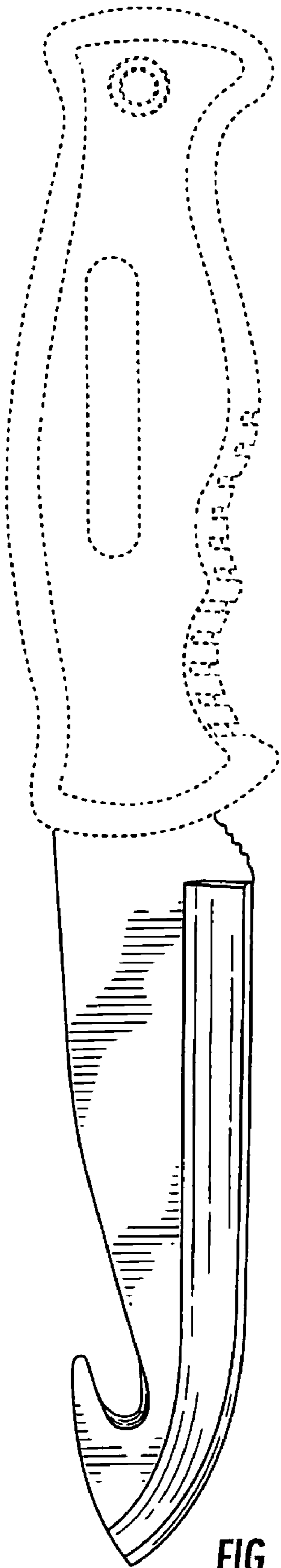


FIG. 1



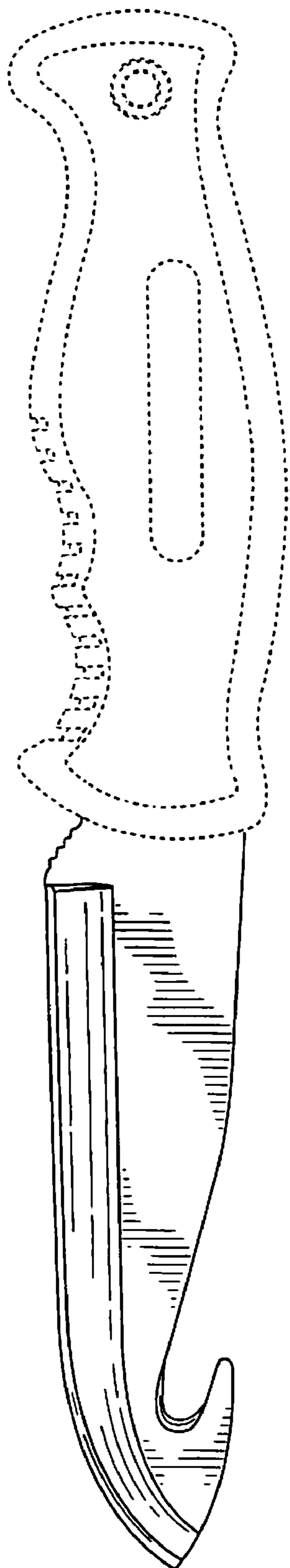


FIG. 4

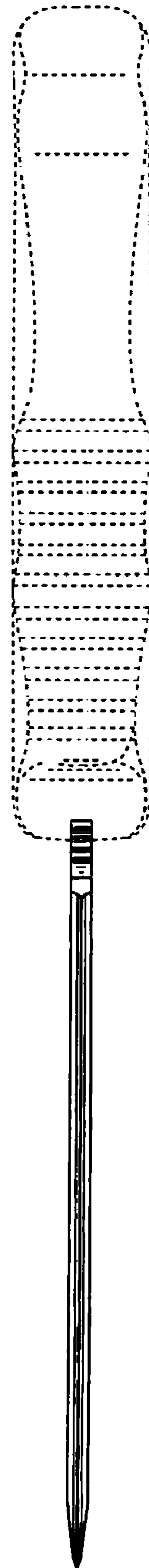


FIG. 5

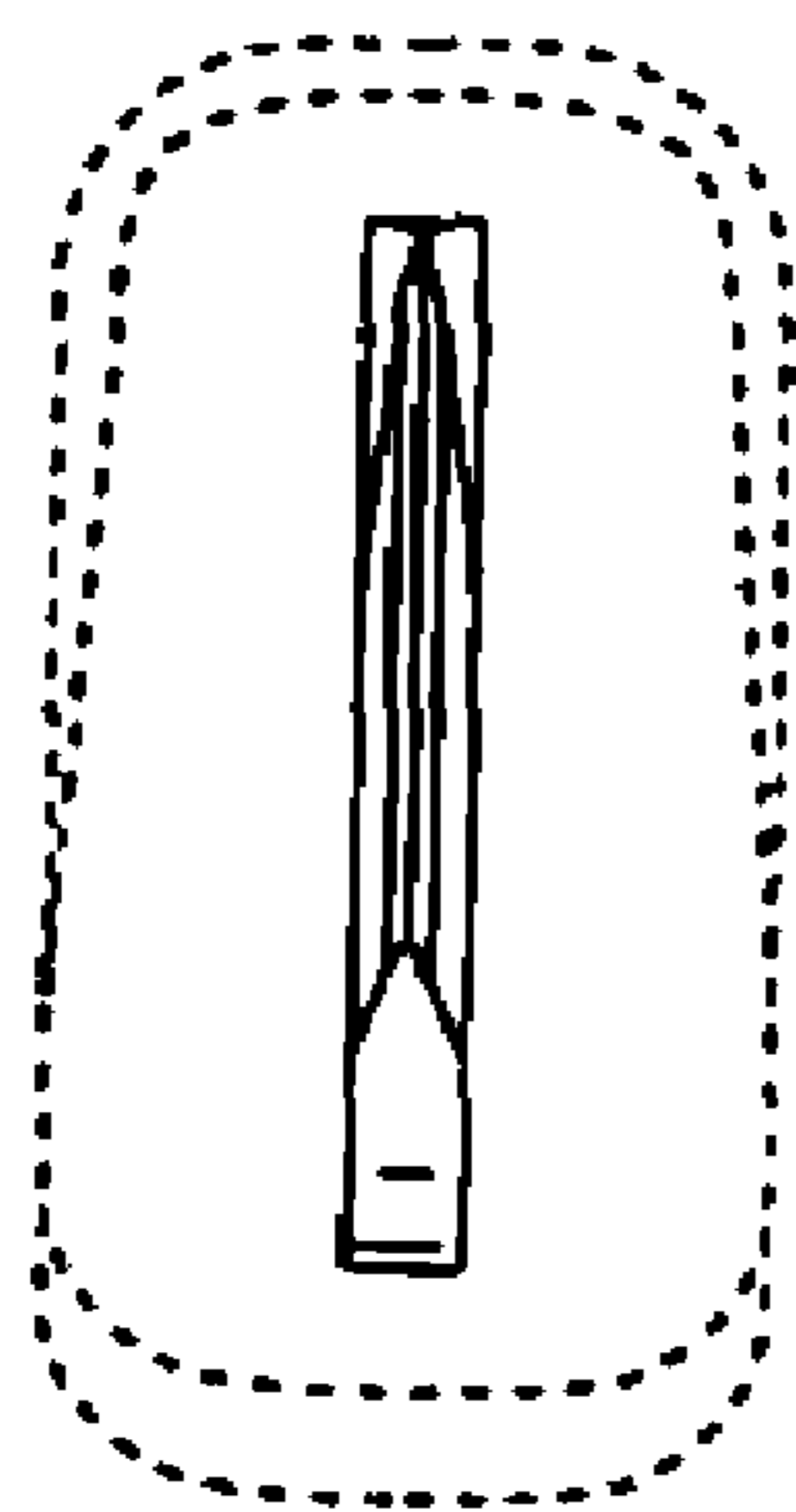


FIG. 6

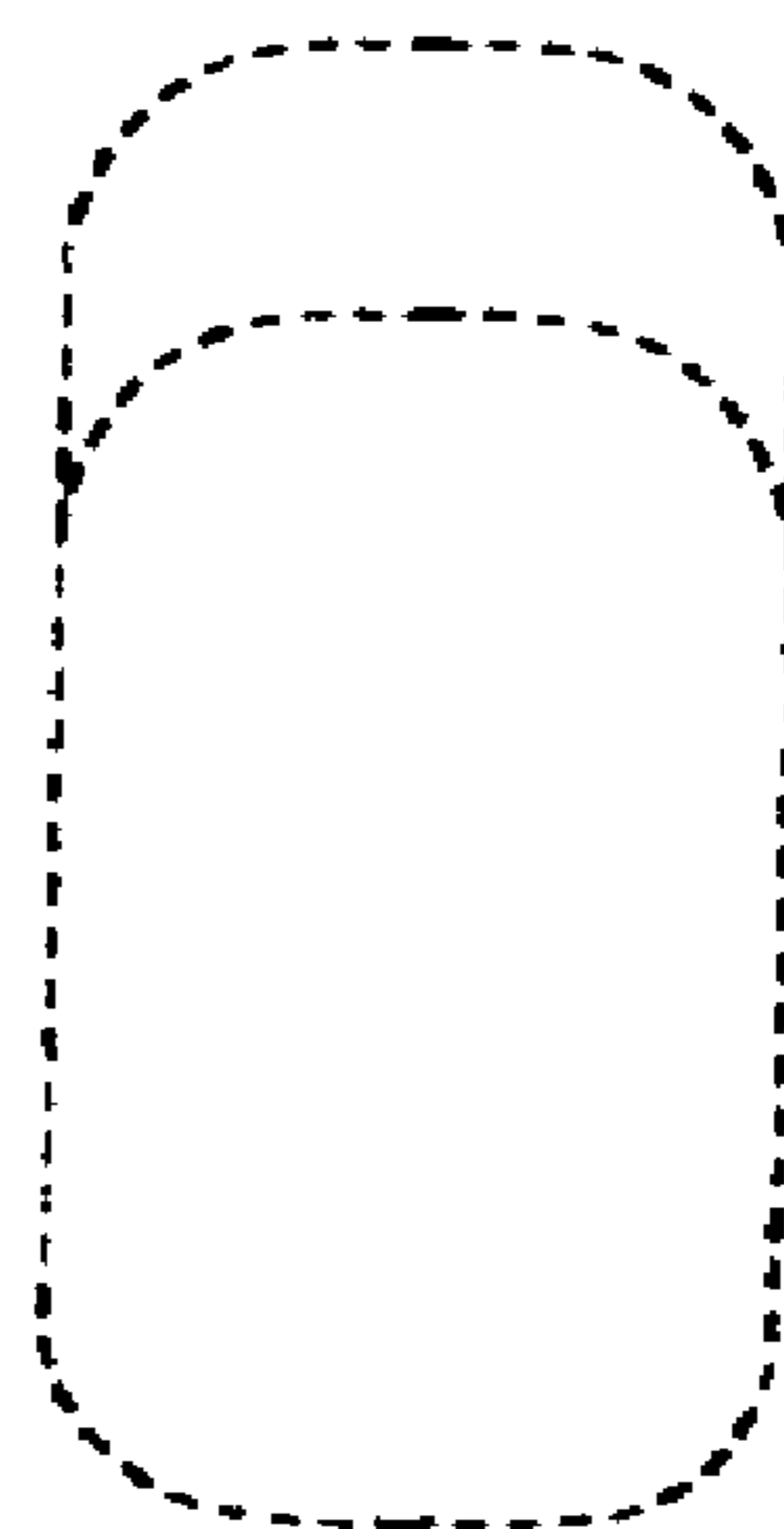


FIG. 7