



US00D561285S

(12) **United States Design Patent**
Llewellyn et al.

(10) **Patent No.:** **US D561,285 S**

(45) **Date of Patent:** **** Feb. 5, 2008**

(54) **BACK DESIGN FOR A GOLF CLUB IRON HEAD**

D494,240 S * 8/2004 Schweigert D21/759
6,860,819 B2 * 3/2005 Gilbert 473/291
D528,178 S * 9/2006 Best D21/759

(75) Inventors: **David Llewellyn**, Duluth, GA (US);
Damon Spencer, Duluth, GA (US);
Chuck Couch, Cumming, GA (US);
Richard Delvac, Lawrenceville, GA (US)

* cited by examiner

Primary Examiner—Mitchell Siegel

(74) *Attorney, Agent, or Firm*—Troutman Sanders, LLP;
James E. Schutz

(73) Assignee: **Mizuno USA**, Norcross, GA (US)

(57) **CLAIM**

(**) Term: **14 Years**

The ornamental design for the back design for a golf club iron head, as shown and described.

(21) Appl. No.: **29/269,986**

DESCRIPTION

(22) Filed: **Dec. 12, 2006**

(51) **LOC (8) Cl.** **21-02**

FIG. 1 is a perspective view of the back design for a golf club iron head;

(52) **U.S. Cl.** **D21/759**

FIG. 2 is an elevational view of the design of FIG. 1;

(58) **Field of Classification Search** D21/747–751,
D21/759; 473/324–334, 291, 350
See application file for complete search history.

FIG. 3 is a planar cross-sectional view taken along lines 3–3 in FIG. 2;

(56) **References Cited**

FIG. 4 is a planar cross-sectional view taken along lines 4–4 in FIG. 2; and,

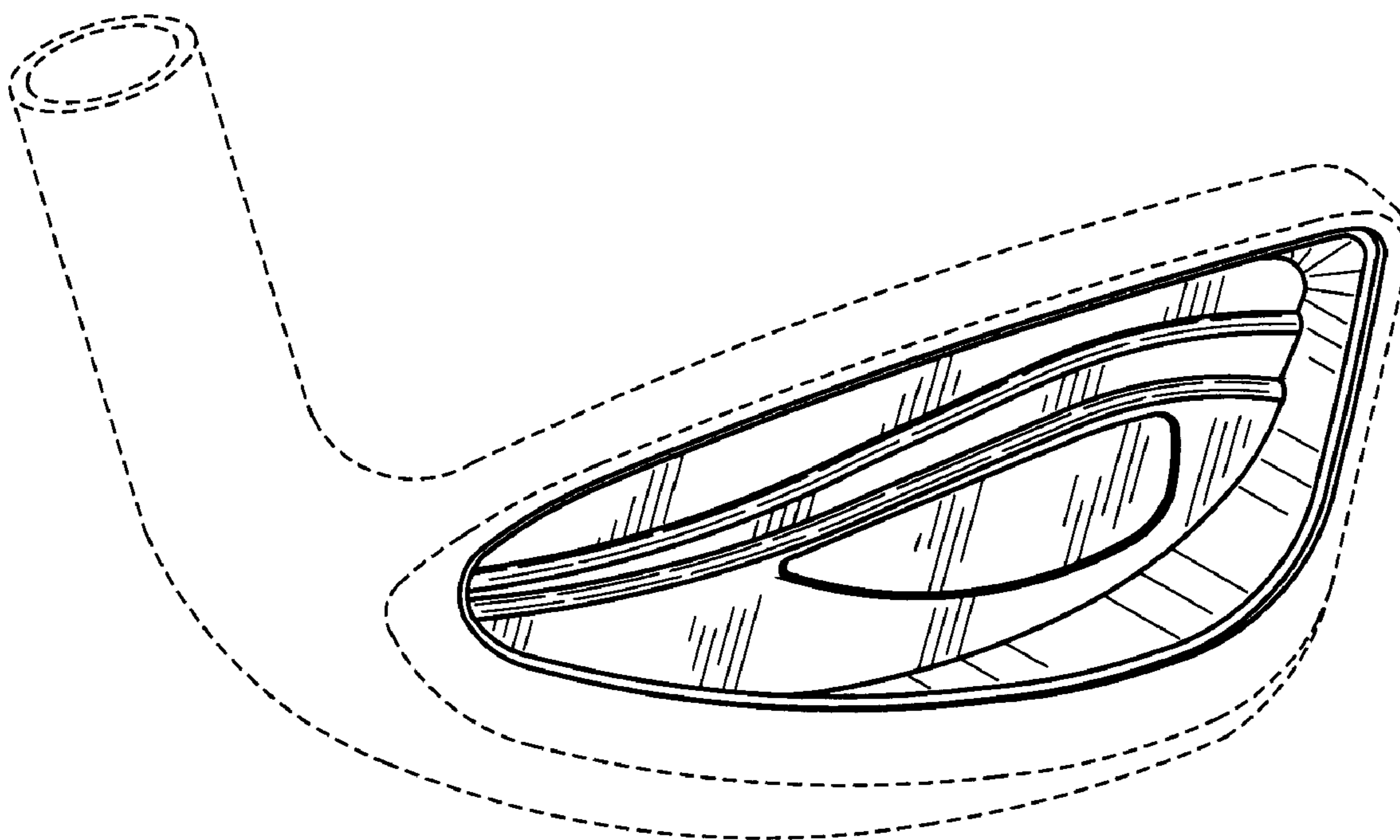
U.S. PATENT DOCUMENTS

FIG. 5 is a planar cross-sectional view taken along lines 5–5 in FIG. 2.

D353,644 S * 12/1994 Hirsch et al. D21/748
D399,277 S * 10/1998 Ezaki D21/747
D401,637 S * 11/1998 Best et al. D21/747
D412,545 S * 8/1999 Best et al. D21/759
D432,611 S * 10/2000 McCabe et al. D21/759
6,290,607 B1 * 9/2001 Gilbert et al. 473/291

The broken line showing is included for the purpose of illustrating and forms no part of the claimed design.

1 Claim, 2 Drawing Sheets



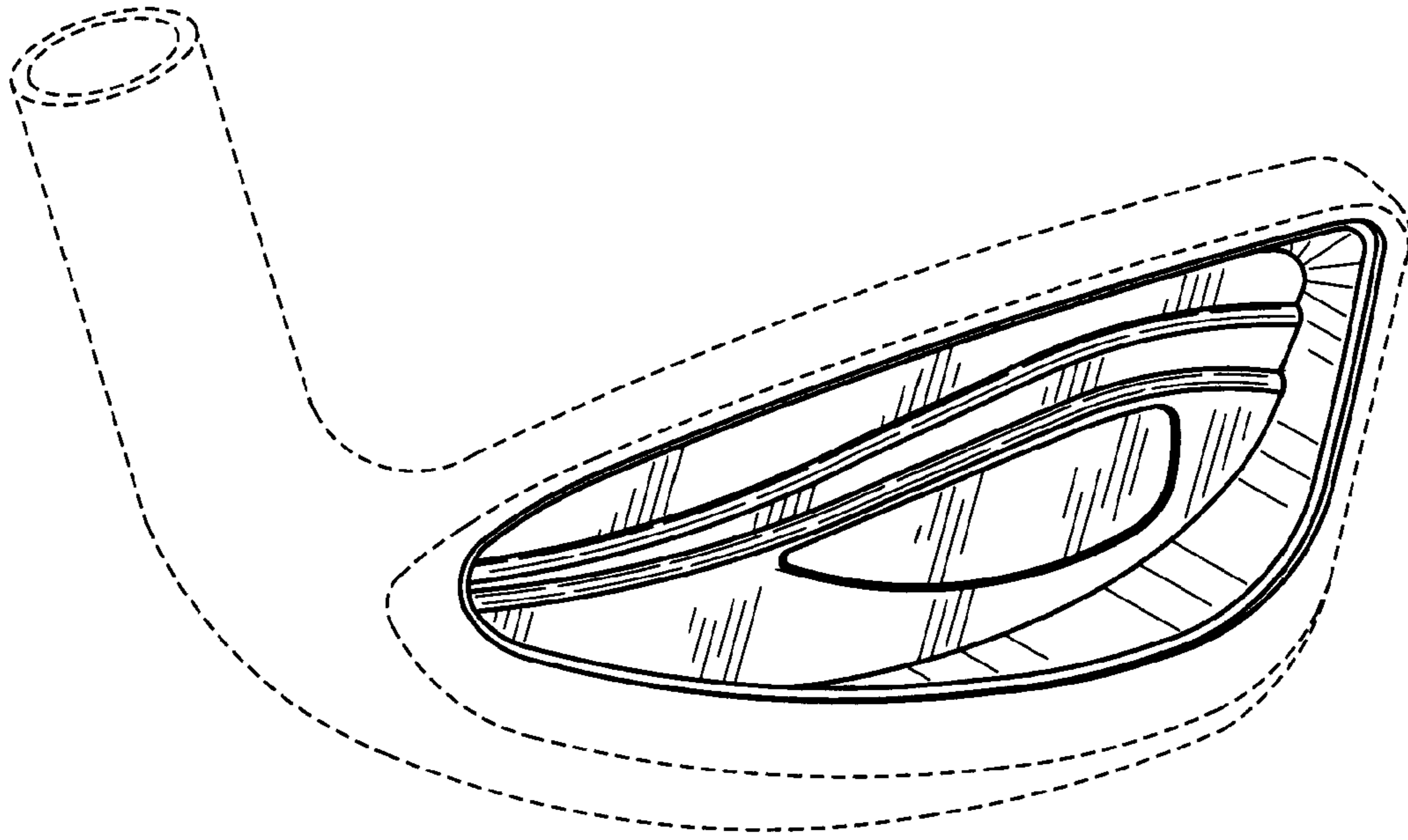


Fig. 1

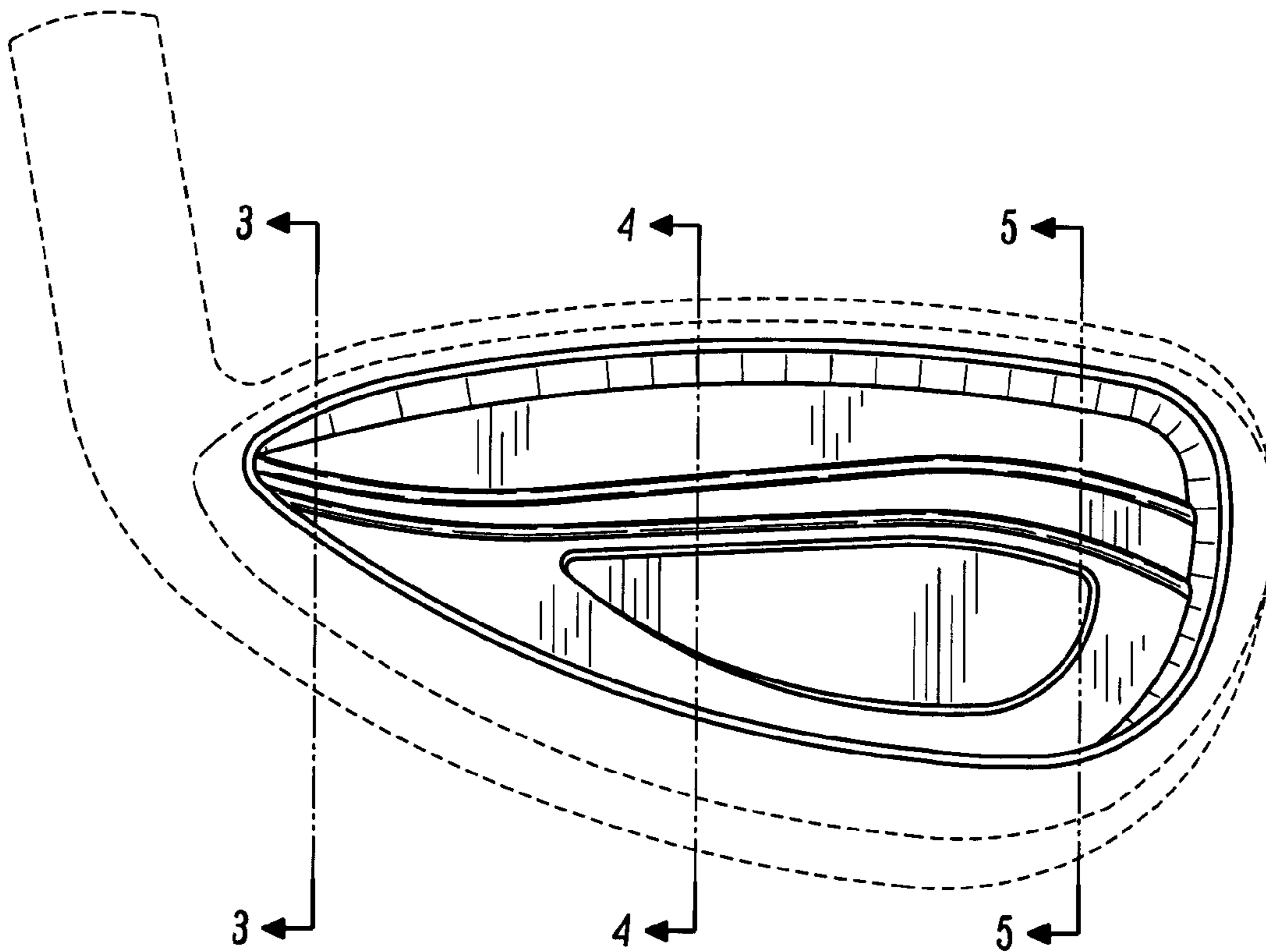


Fig. 2

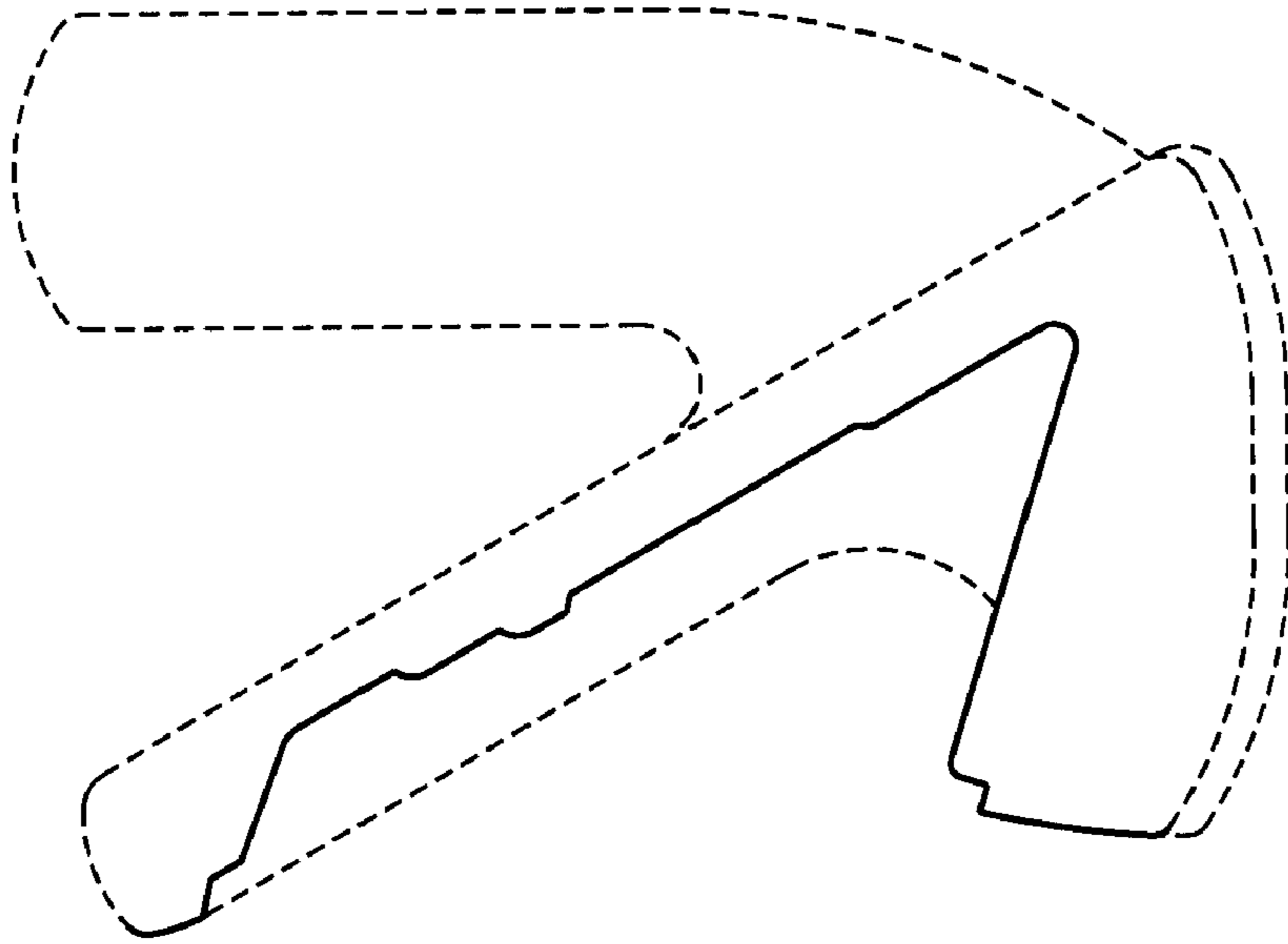


Fig. 3

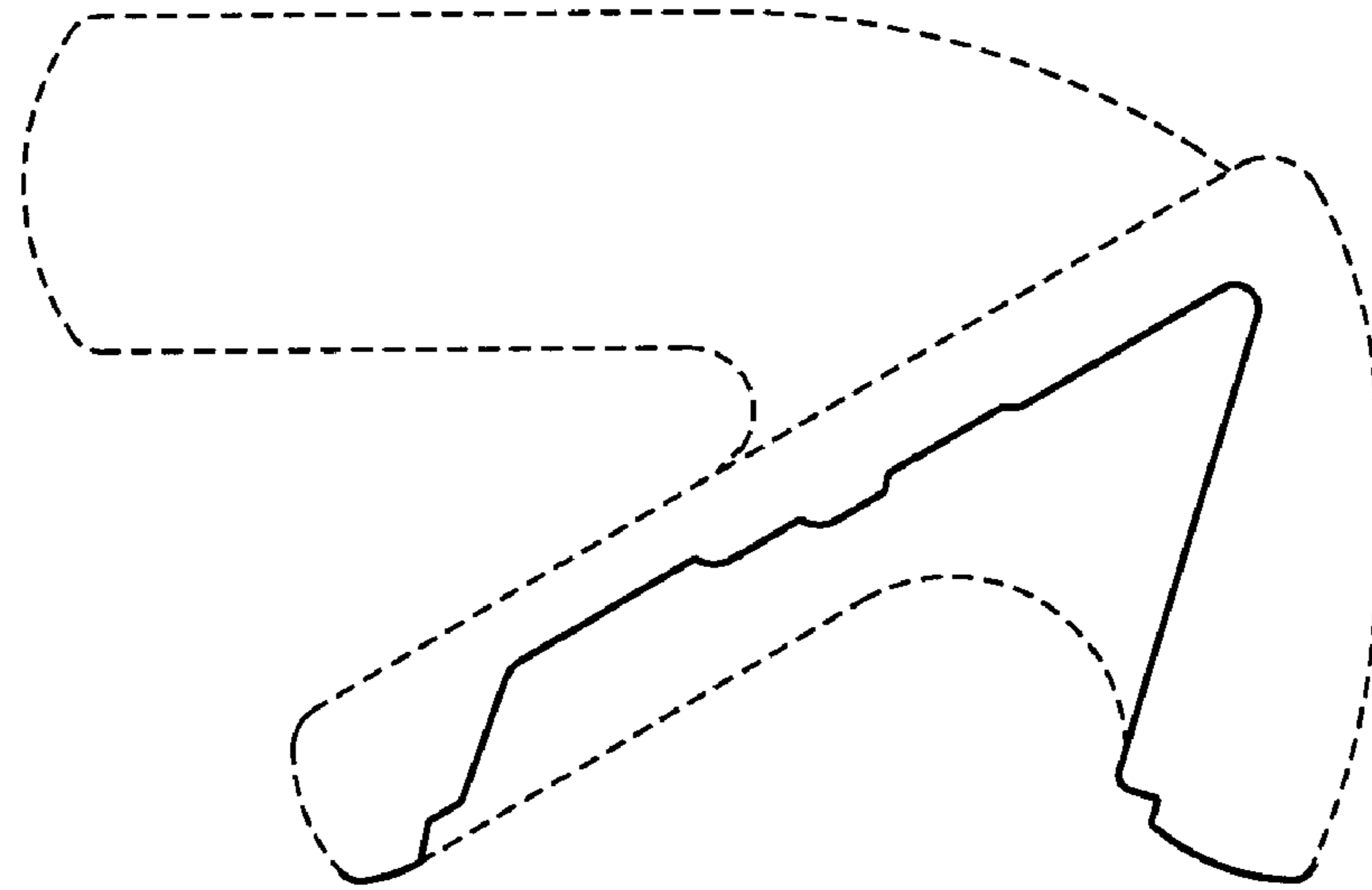


Fig. 4

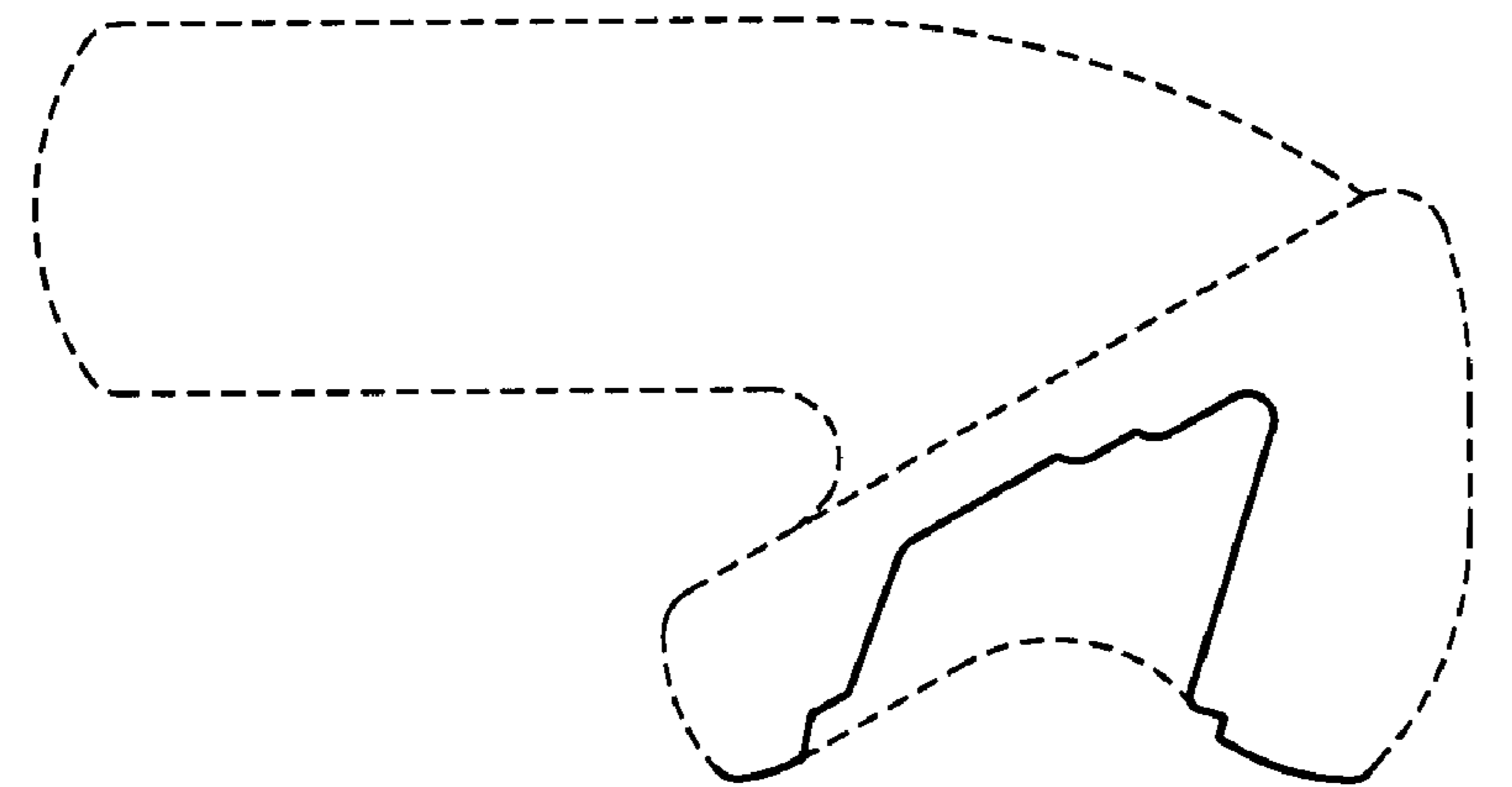


Fig. 5