

US00D561284S

(12) **United States Design Patent**
Nagai et al.

(10) **Patent No.:** **US D561,284 S**
(45) **Date of Patent:** **** Feb. 5, 2008**

(54) **GOLF CLUB WOOD HEAD**

(75) Inventors: **Masao Nagai**, Osaka (JP); **David Llewellyn**, Duluth, GA (US); **Harry B. Taylor**, Old Hickory, TN (US)

(73) Assignee: **Mizuno USA**, Norcross, GA (US)

(**) Term: **14 Years**

(21) Appl. No.: **29/269,935**

(22) Filed: **Dec. 11, 2006**

(51) **LOC (8) Cl.** **21-02**

(52) **U.S. Cl.** **D21/759**

(58) **Field of Classification Search** D21/733,
D21/752, 759; 473/324–331, 343–346
See application file for complete search history.

(56) **References Cited**

U.S. PATENT DOCUMENTS

D338,935 S *	8/1993	Antonious	D21/733
D469,836 S *	2/2003	Mendralla et al.	D21/759
D473,604 S *	4/2003	Antonious	D21/733
D481,087 S *	10/2003	Antonious	D21/733
D500,541 S *	1/2005	Rollinson et al.	D21/759
D513,424 S *	1/2006	Erickson et al.	D21/752
D516,651 S *	3/2006	Evans et al.	D21/752

D518,543 S *	4/2006	Aguinaldo et al.	D21/759
D530,761 S *	10/2006	Evans et al.	D21/752
D532,852 S *	11/2006	Tang et al.	D21/752
D534,600 S *	1/2007	Tang et al.	D21/752

* cited by examiner

Primary Examiner—Mitchell Siegel

(74) *Attorney, Agent, or Firm*—Troutman Sanders, LLP; James E. Schutz

(57) **CLAIM**

The ornamental design for the golf club wood head, as shown and described.

DESCRIPTION

FIG. 1 is a top view of the new design for the golf club wood head;

FIG. 2 is a rear view of the design shown in FIG. 1;

FIG. 3 is a front view of the design shown in FIG. 1;

FIG. 4 is a bottom view of the design shown in FIG. 1; and,

FIG. 5 is a rear view of the design shown in FIG. 1.

The broken line showing is included for the purpose of illustrating and forms no part of the claimed design.

1 Claim, 2 Drawing Sheets

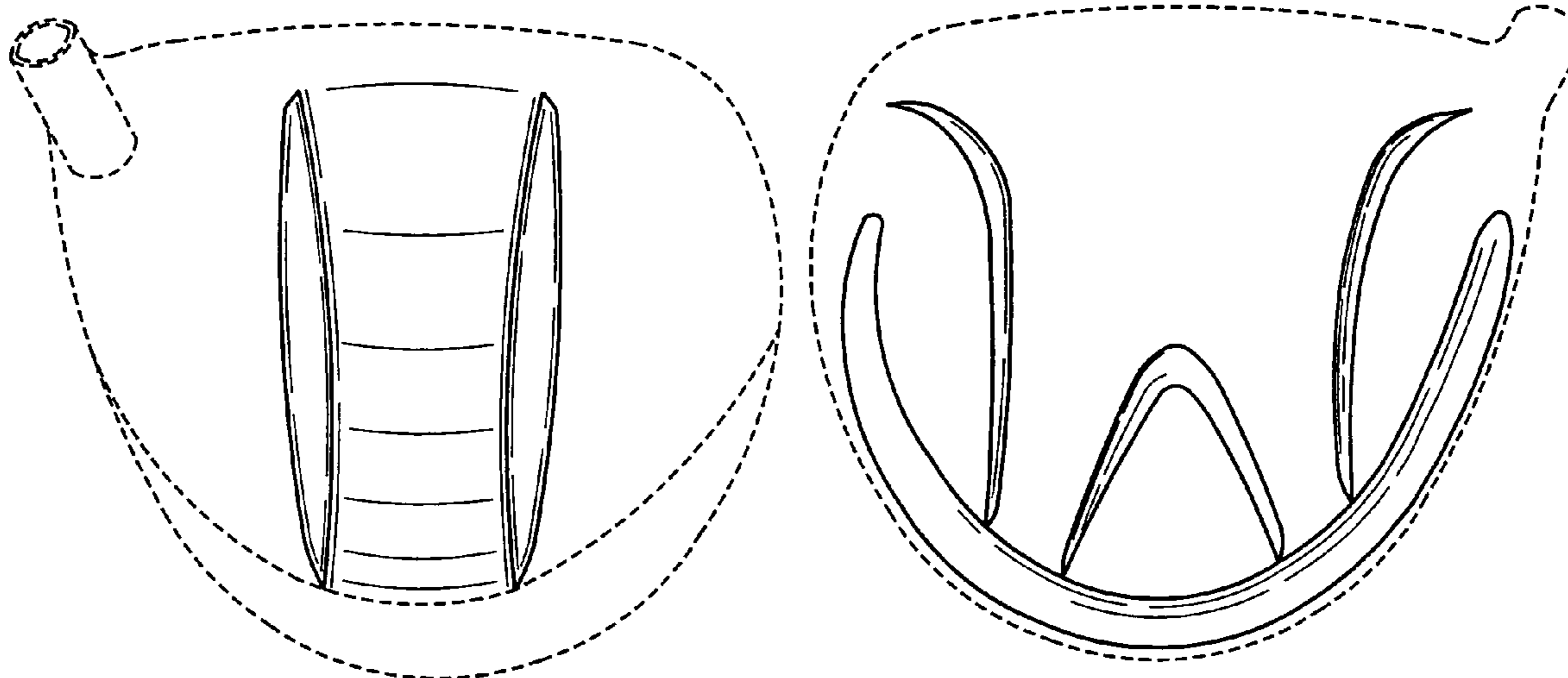


Fig. 1

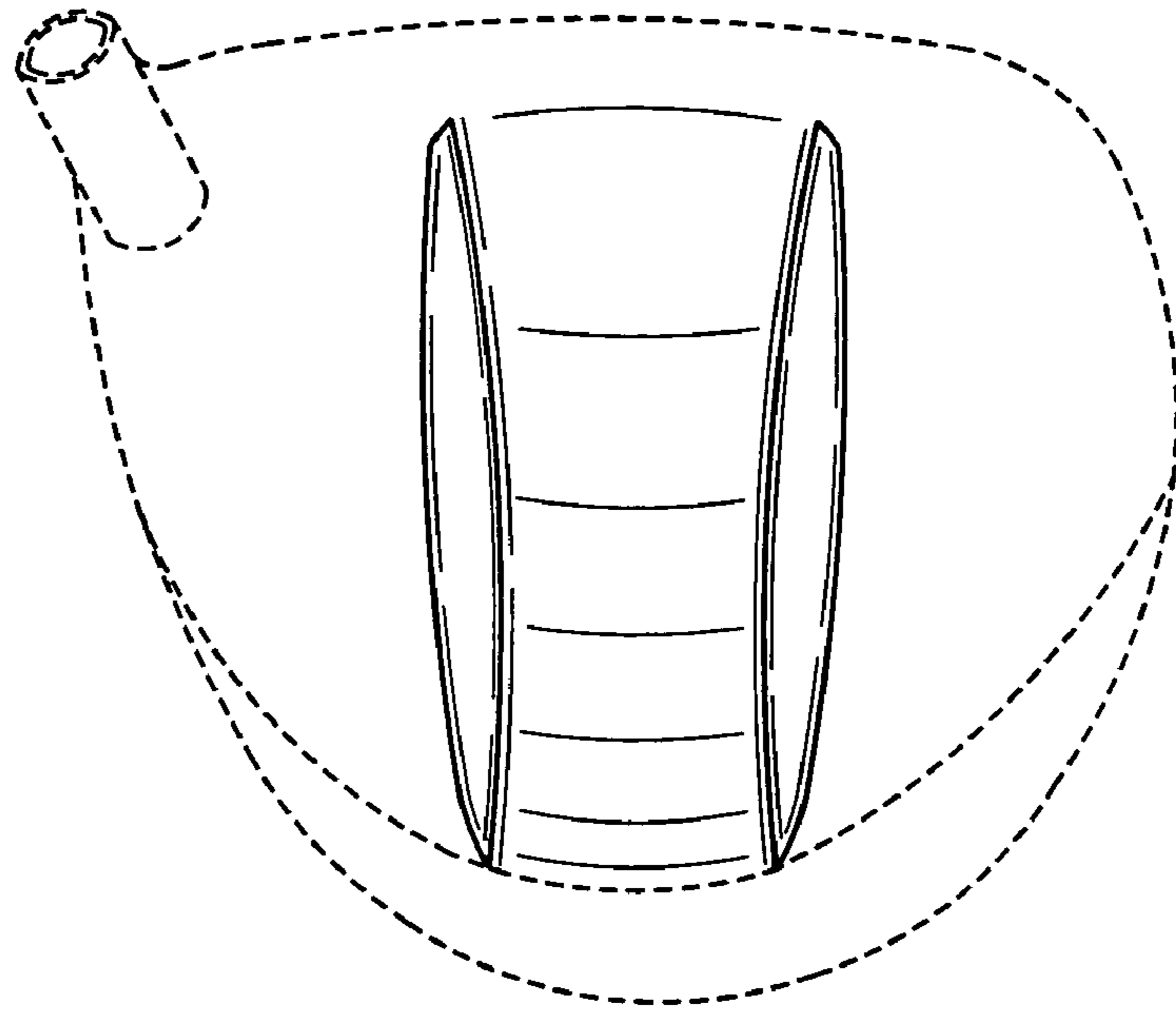


Fig. 2

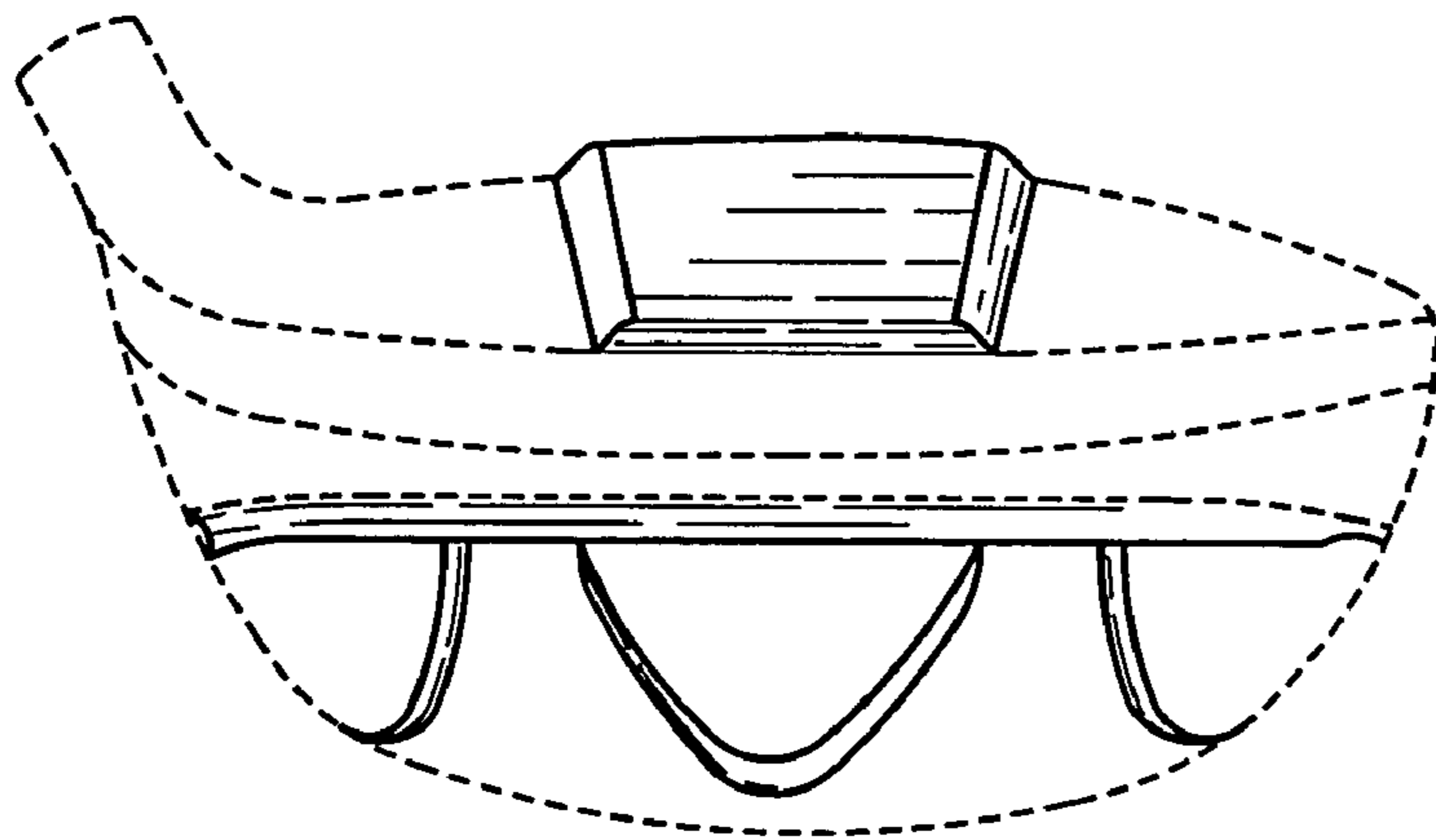
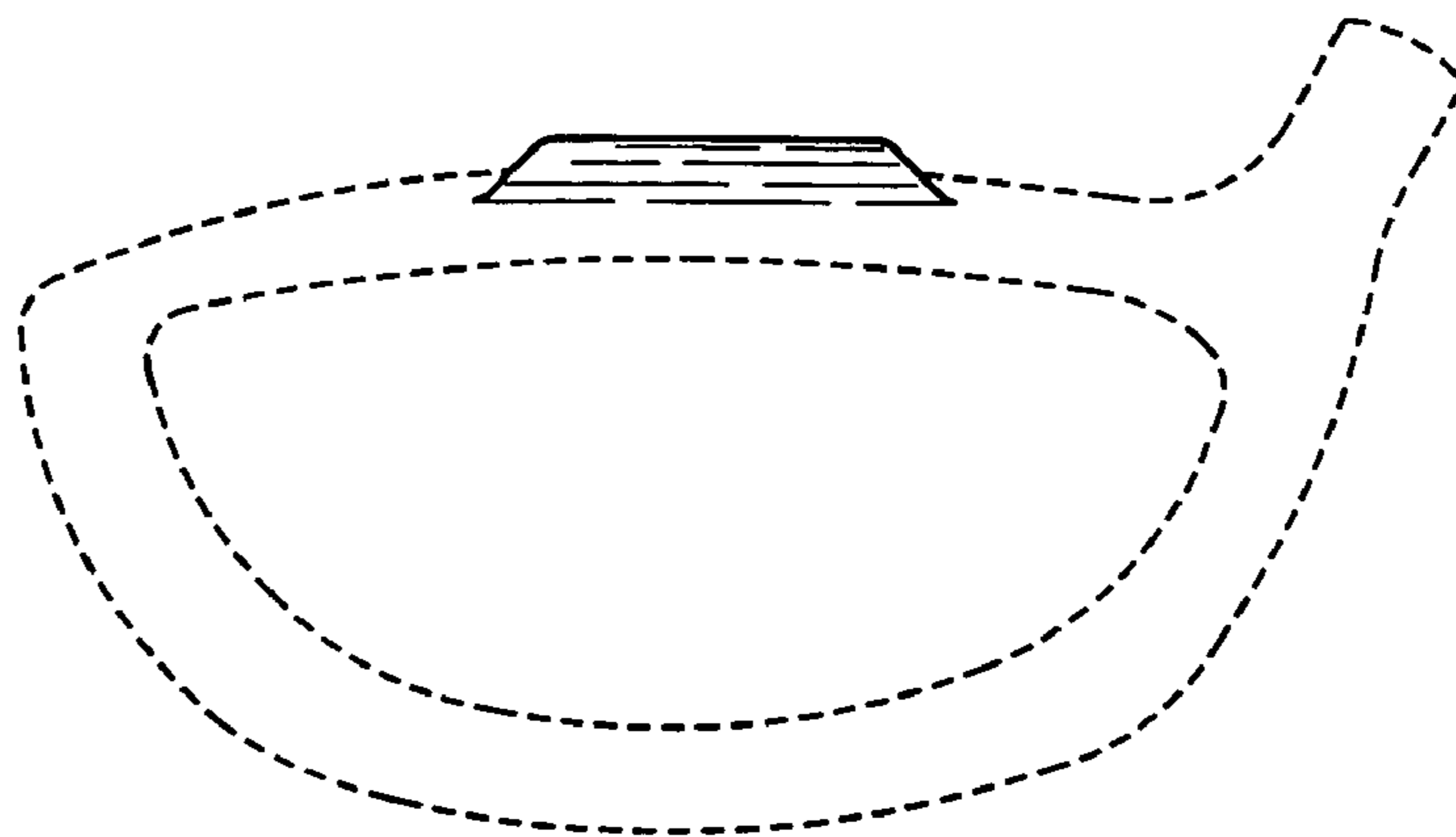


Fig. 3



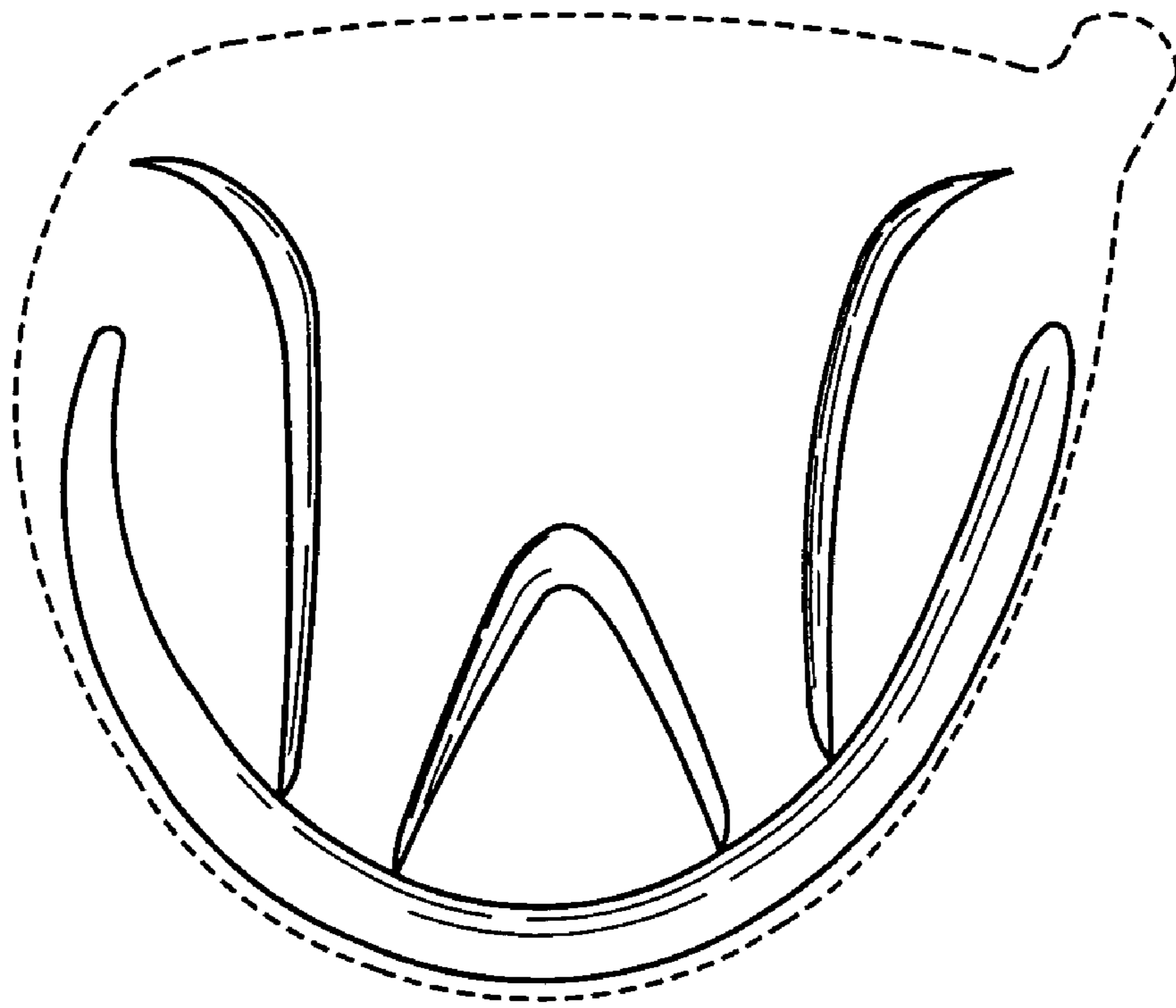


Fig. 4

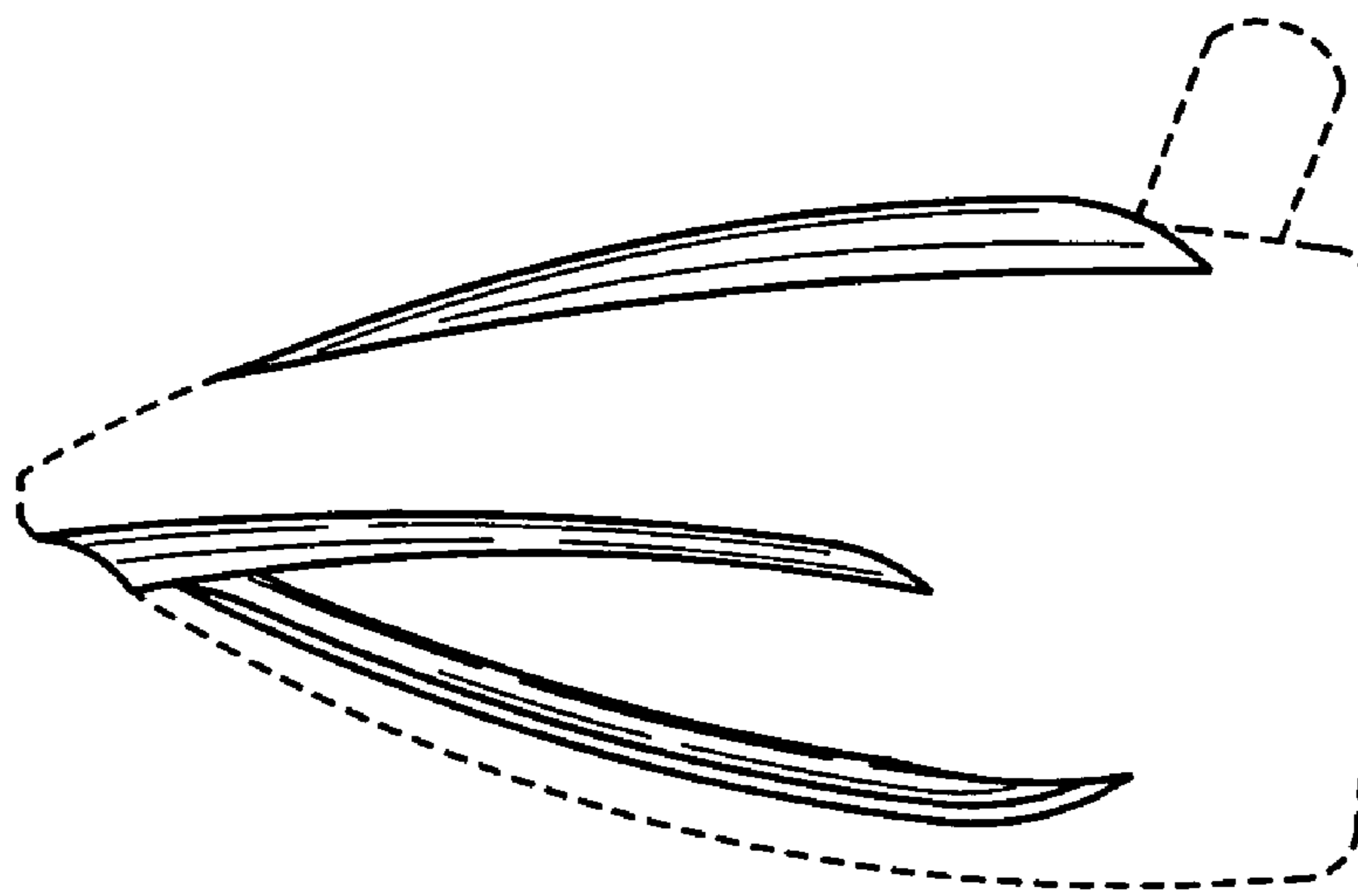


Fig. 5