



US00D561276S

(12) **United States Design Patent** (10) **Patent No.:** **US D561,276 S**
Bingham, Jr. et al. (45) **Date of Patent:** **** Feb. 5, 2008**

(54) **EXERCISE MACHINE**

(75) Inventors: **Robert J. Bingham, Jr.**, Woodinville, WA (US); **Christopher Loew**, Palo Alto, CA (US); **Ryan P. Selby**, Seattle, WA (US)

(73) Assignee: **LeMond Fitness, Inc.**, Woodinville, WA (US)

(**) Term: **14 Years**

(21) Appl. No.: **29/248,208**

(22) Filed: **Aug. 2, 2006**

(51) **LOC (8) Cl.** **21-02**

(52) **U.S. Cl.** **D21/697**

(58) **Field of Classification Search** D21/662, D21/663, 664, 665, 666, 667, 670, 694, 668, D21/697; 482/51, 52, 57, 58, 59, 64, 65
See application file for complete search history.

(56) **References Cited**

U.S. PATENT DOCUMENTS

D299,371 S *	1/1989	Tsuyama	D21/663
D344,313 S *	2/1994	Wu	D21/663
D357,953 S *	5/1995	Warehime et al.	D21/667
D366,298 S *	1/1996	Wu	D21/663
6,102,834 A *	8/2000	Chen	482/57
D438,919 S *	3/2001	Shaw	D21/697
D444,515 S *	7/2001	Moran et al.	D21/663
D506,792 S *	6/2005	Nagano	D21/663
D512,754 S *	12/2005	Nagano	D21/663
D519,171 S *	4/2006	Kuo	D21/663
D534,226 S *	12/2006	Corbalis et al.	D21/697

* cited by examiner

Primary Examiner—Philip S. Hyder
(74) *Attorney, Agent, or Firm*—George C. Rondeau, Jr.; Davis Wright Tremaine LLP

(57) **CLAIM**

The ornamental design for an exercise machine, as shown and described.

DESCRIPTION

FIG. 1 is a left side elevational view of an exercise machine showing our new design.

FIG. 2 is a top plan view thereof.

FIG. 3 is a bottom plan view thereof.

FIG. 4 is a front elevational view thereof.

FIG. 5 is a rear elevational view thereof.

FIG. 6 is a left side elevational view thereof, the right side elevational view being a mirror image thereof with the pedal in a diametrically opposite position.

FIG. 7 is a left side elevational view of a second embodiment thereof.

FIG. 8 is a top plan view thereof.

FIG. 9 is a bottom plan view thereof.

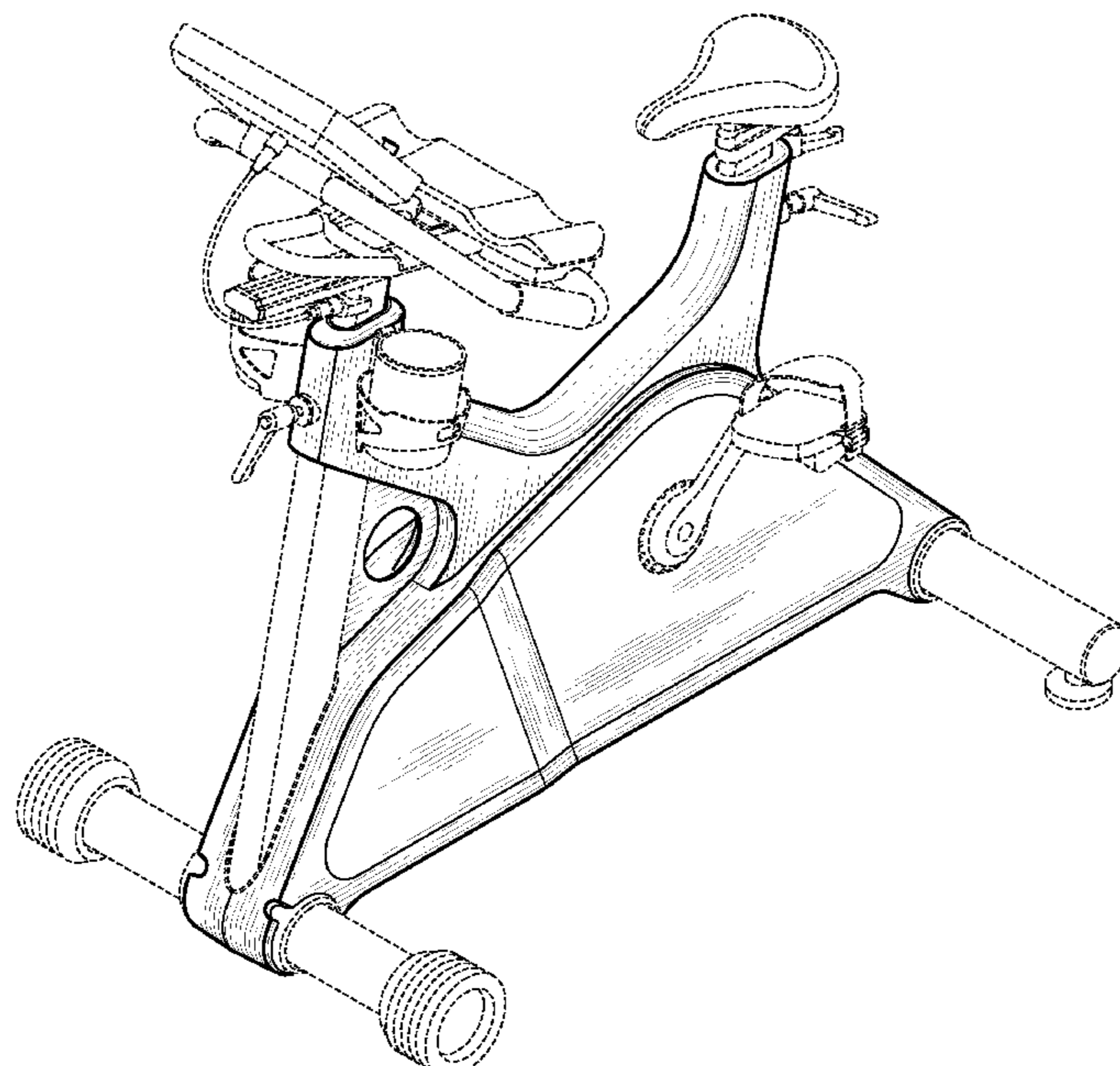
FIG. 10 is a front elevational view thereof.

FIG. 11 is a rear elevational view thereof; and,

FIG. 12 is a left side elevational view thereof, the right side elevational view being a mirror image thereof with the pedal in a diametrically opposite position.

The broken lines are for illustrative purposes only and form no part of the claimed design.

1 Claim, 12 Drawing Sheets



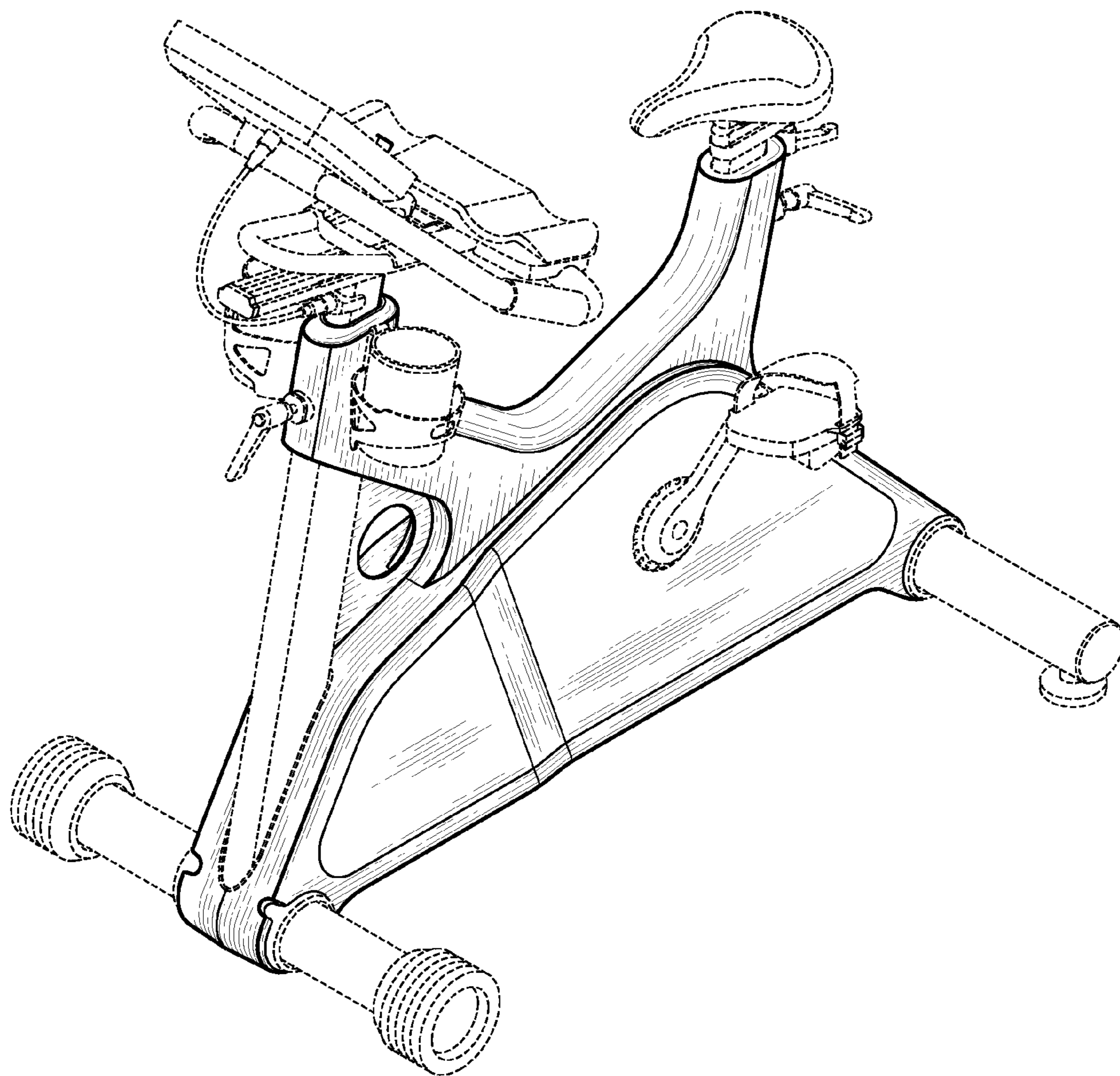


Fig. 1

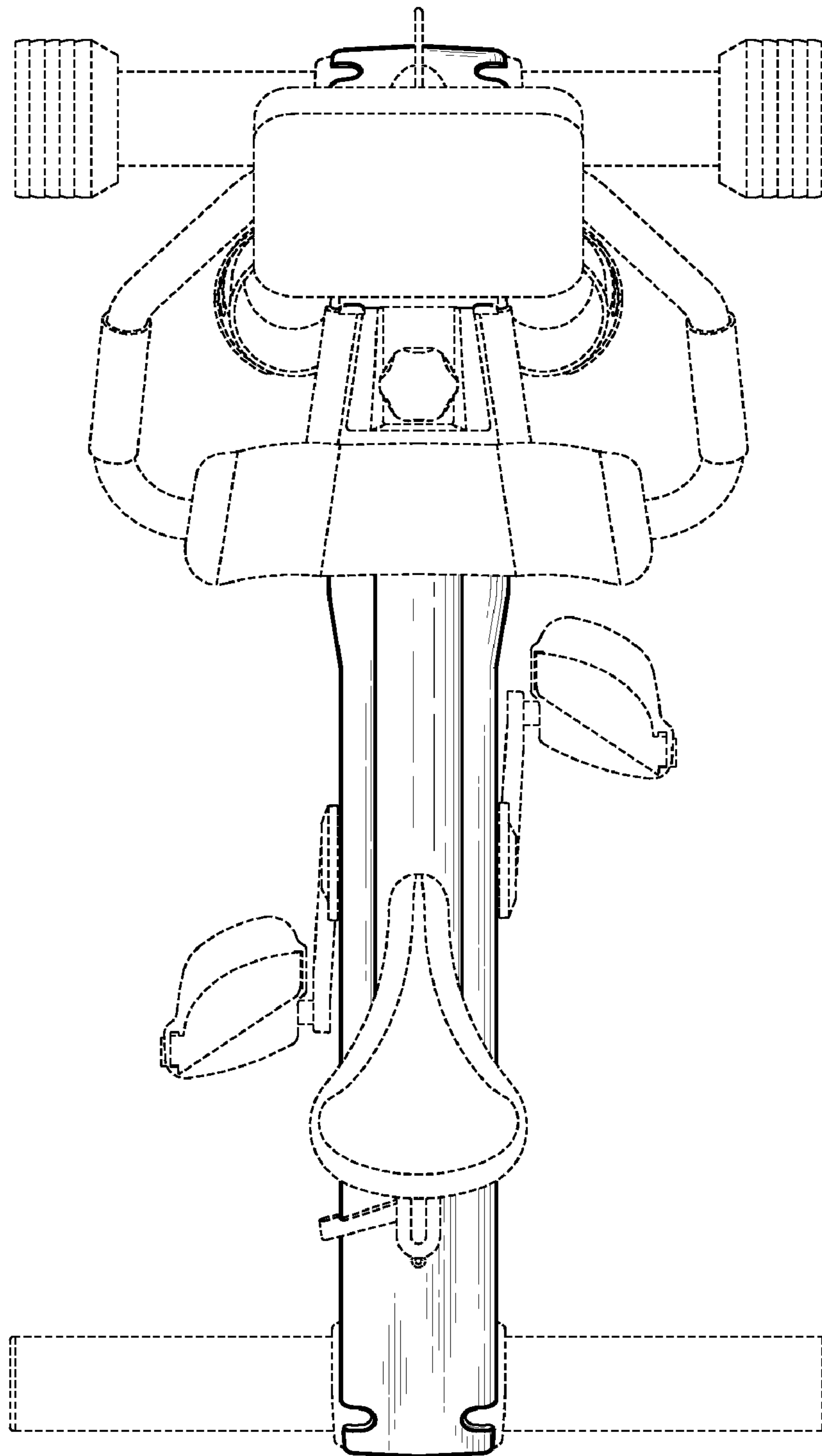


Fig. 2

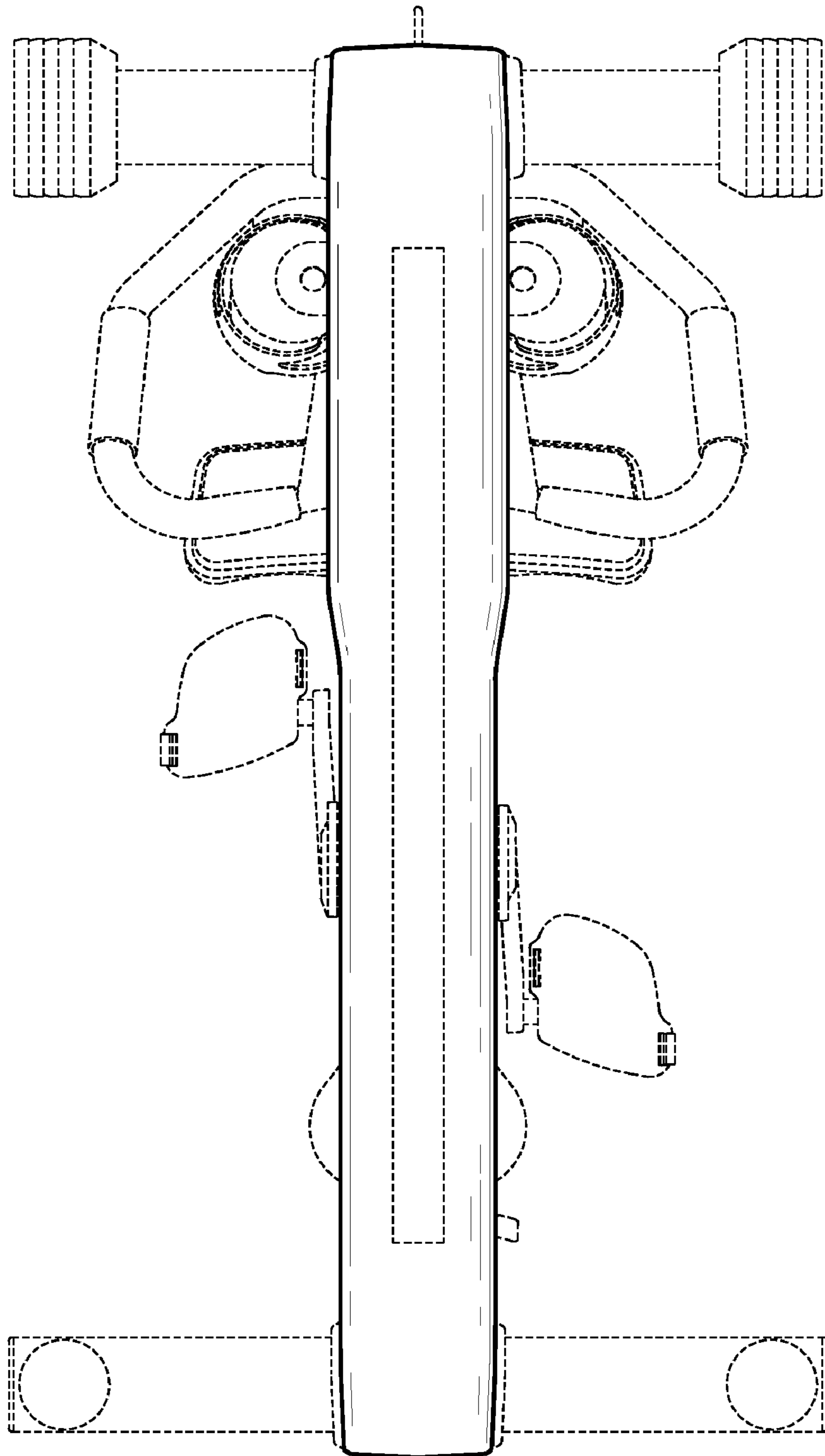


Fig. 3

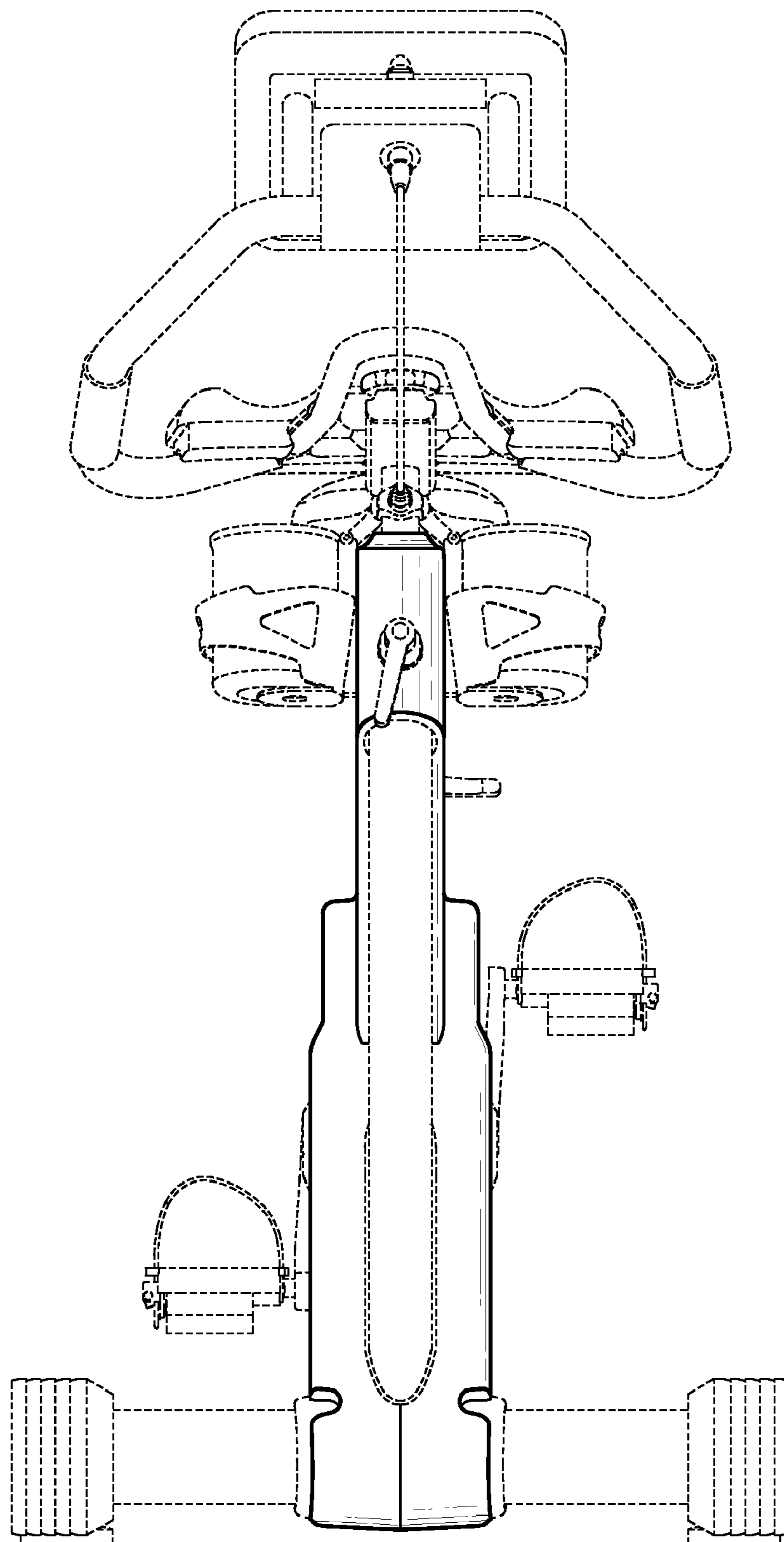


Fig. 4

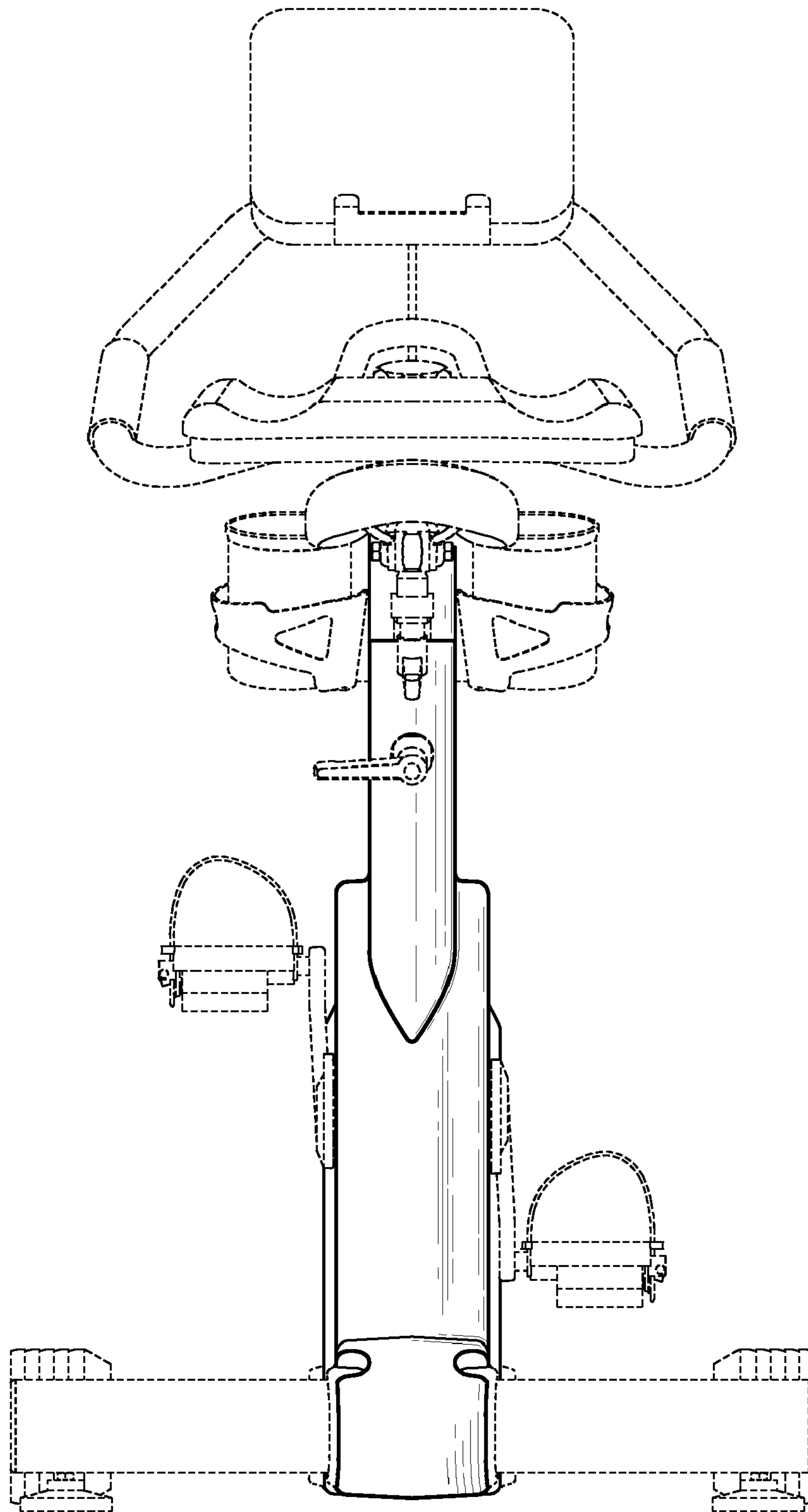


Fig. 5

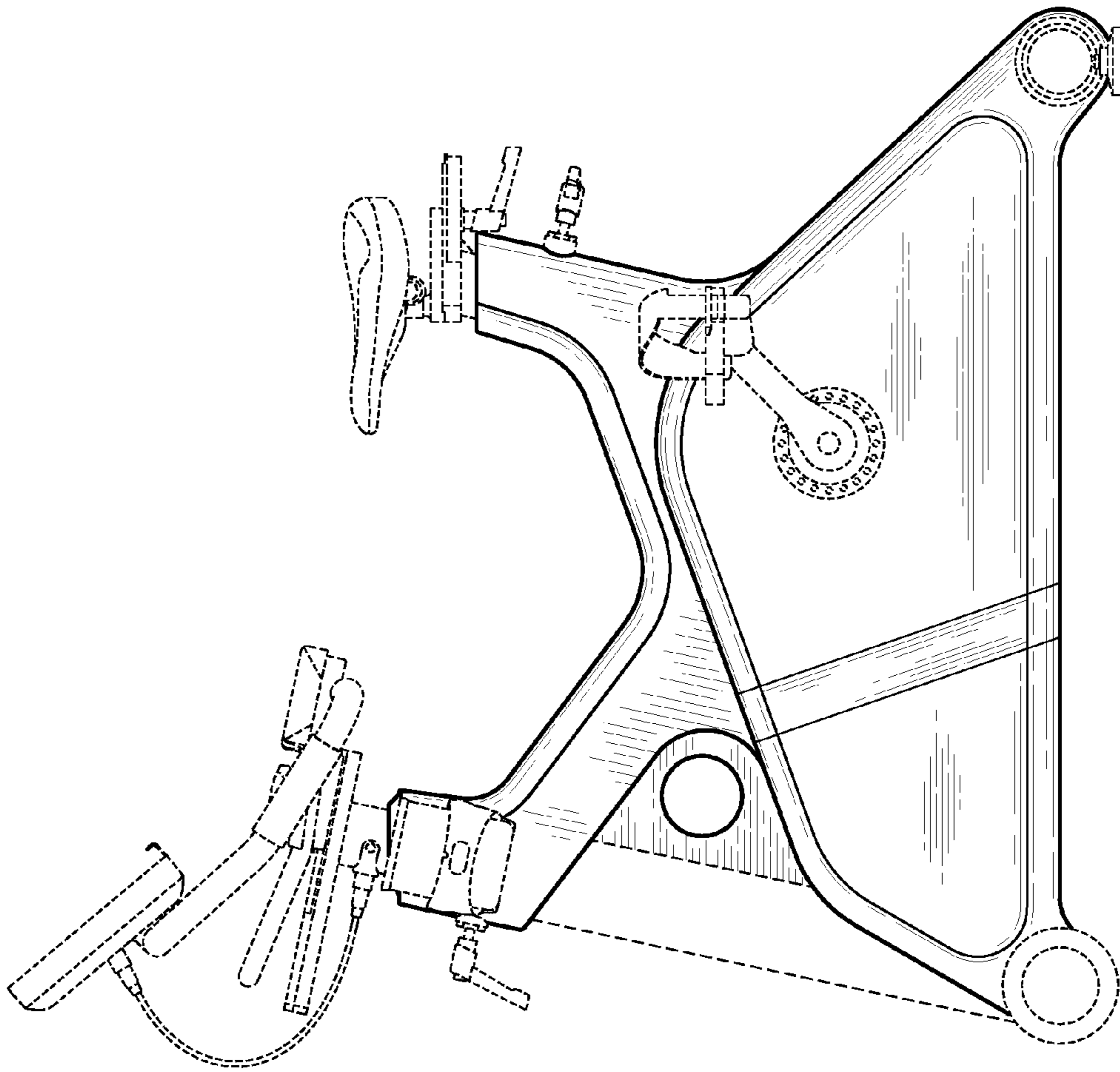


Fig. 6

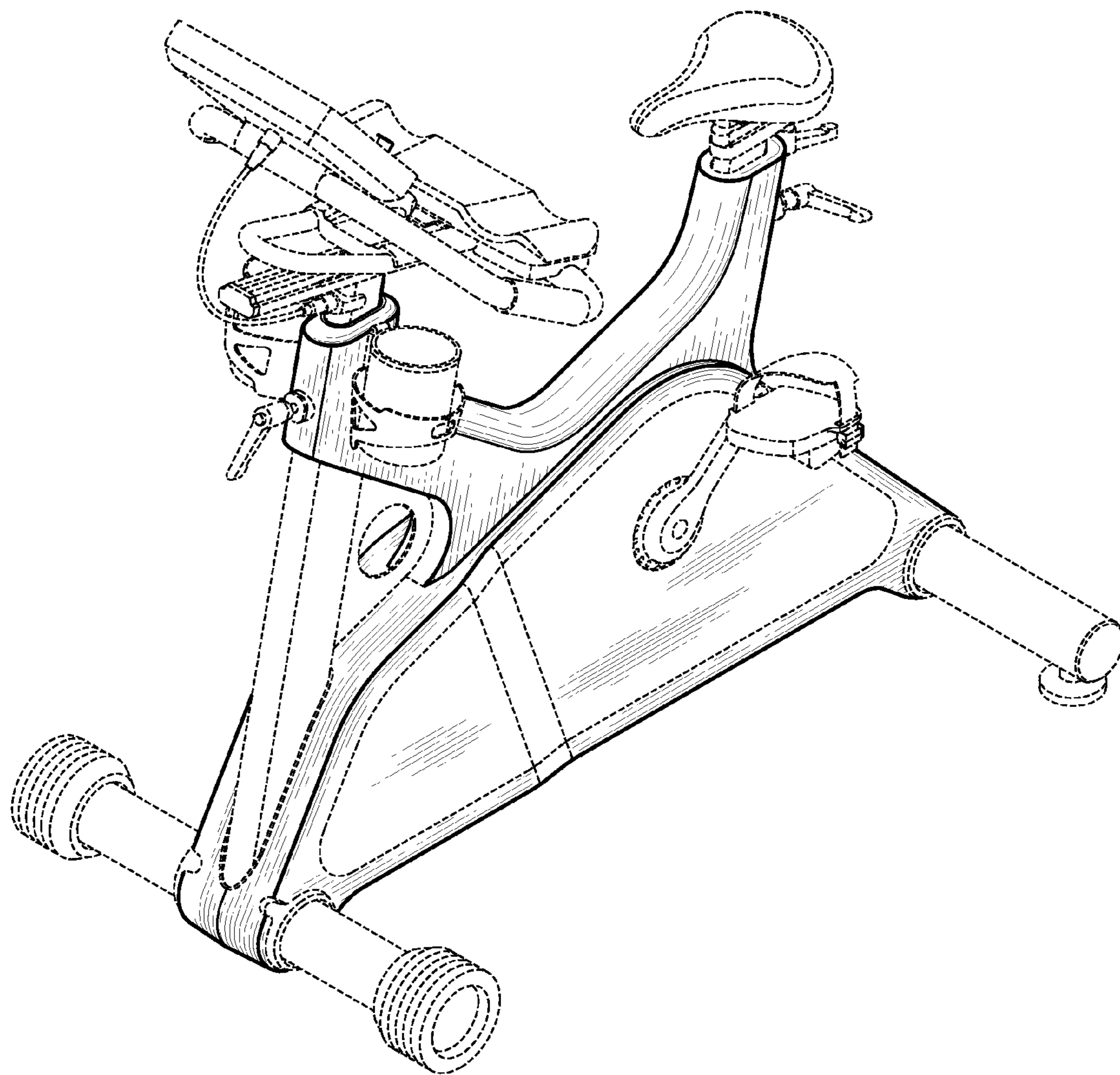


Fig. 7

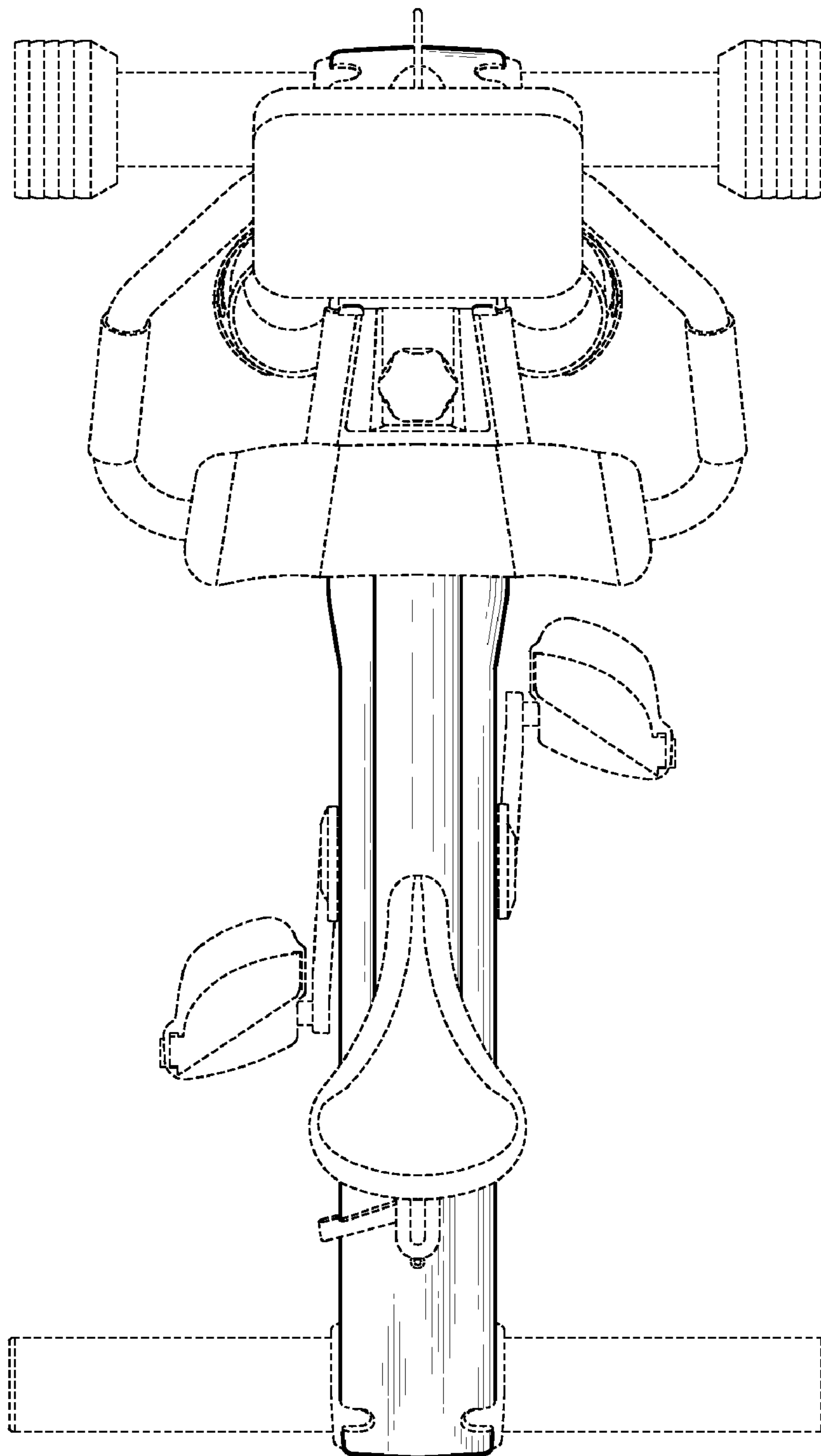


Fig. 8

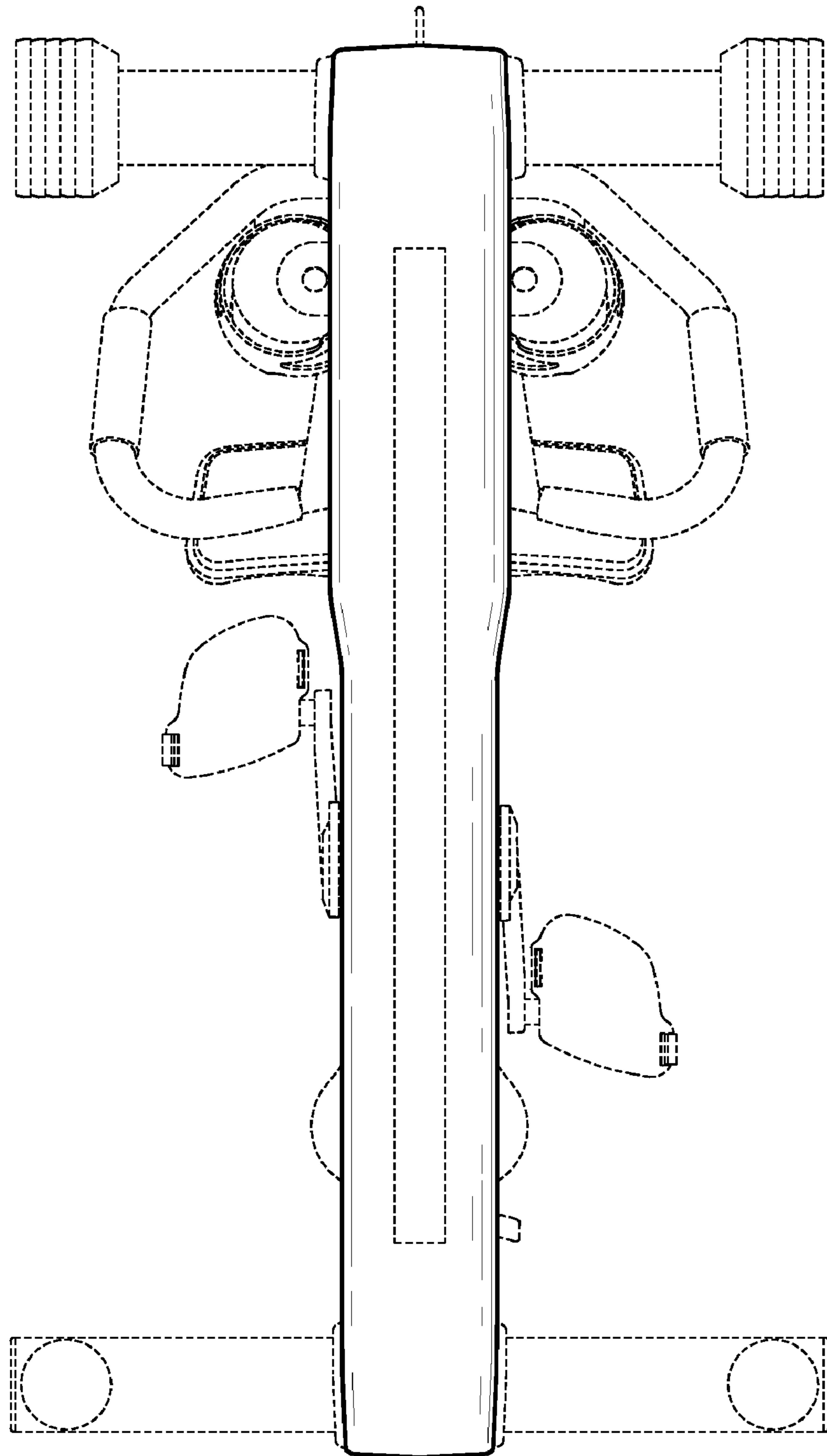


Fig. 9

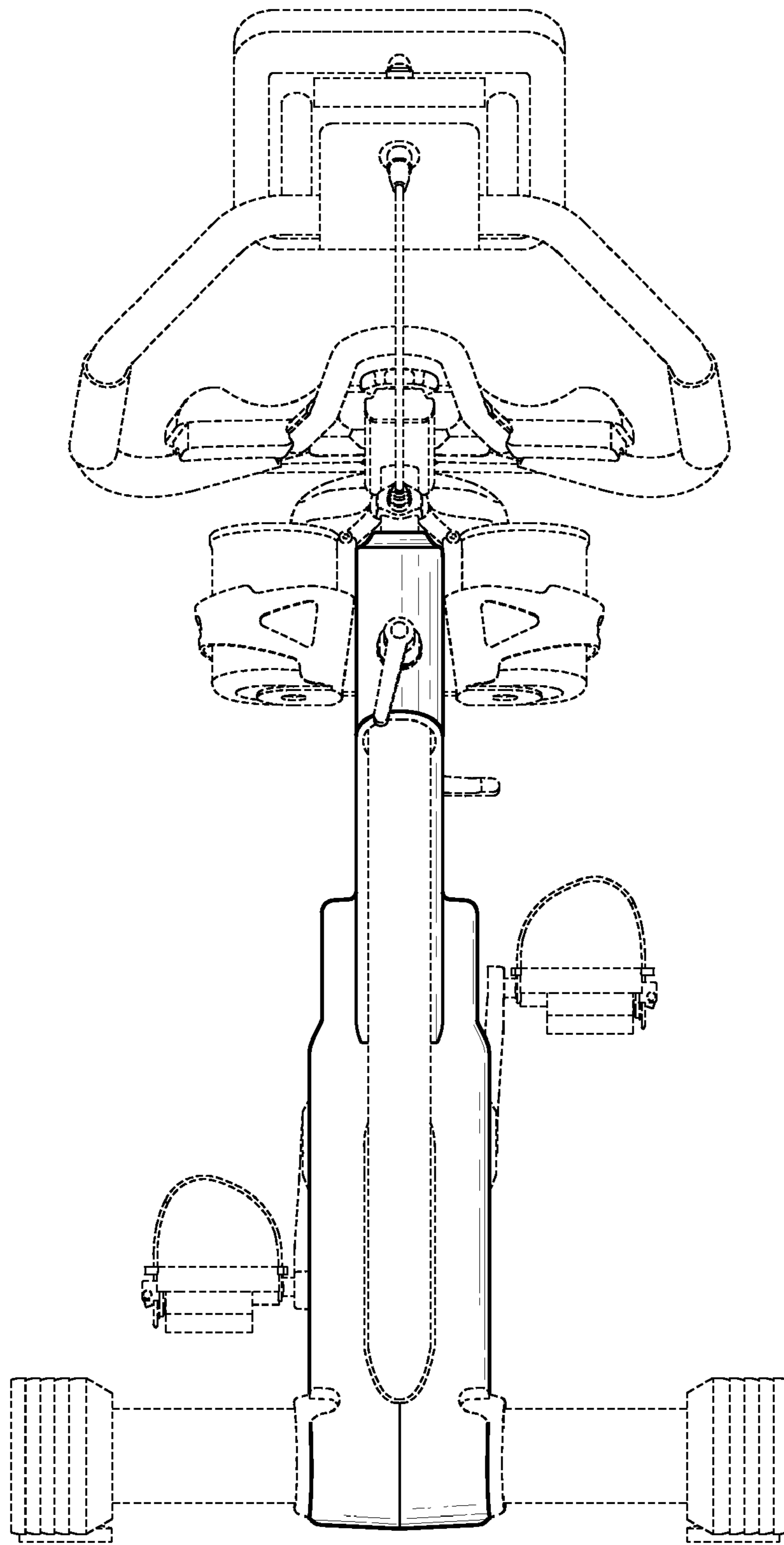


Fig. 10

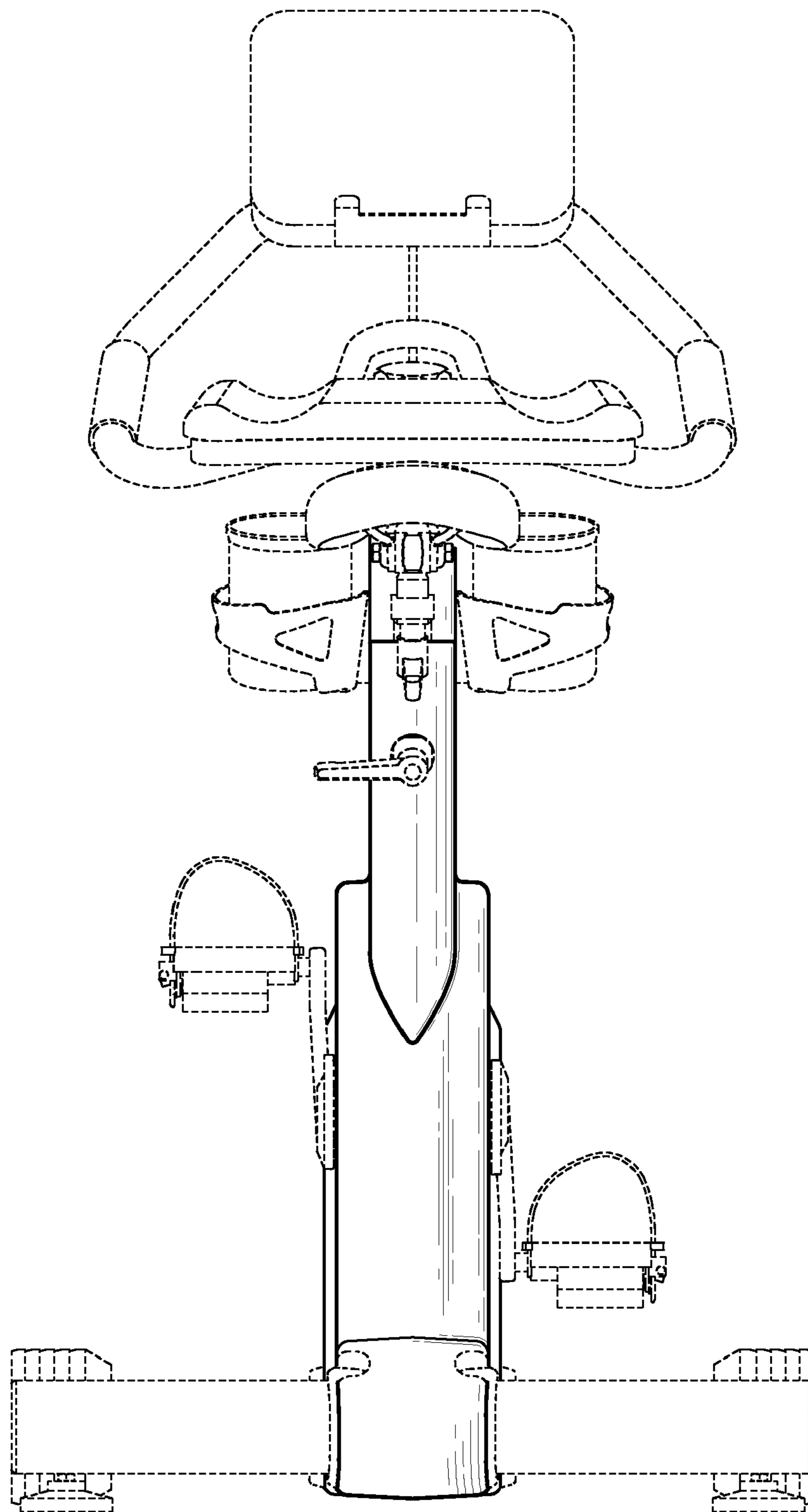


Fig. 11

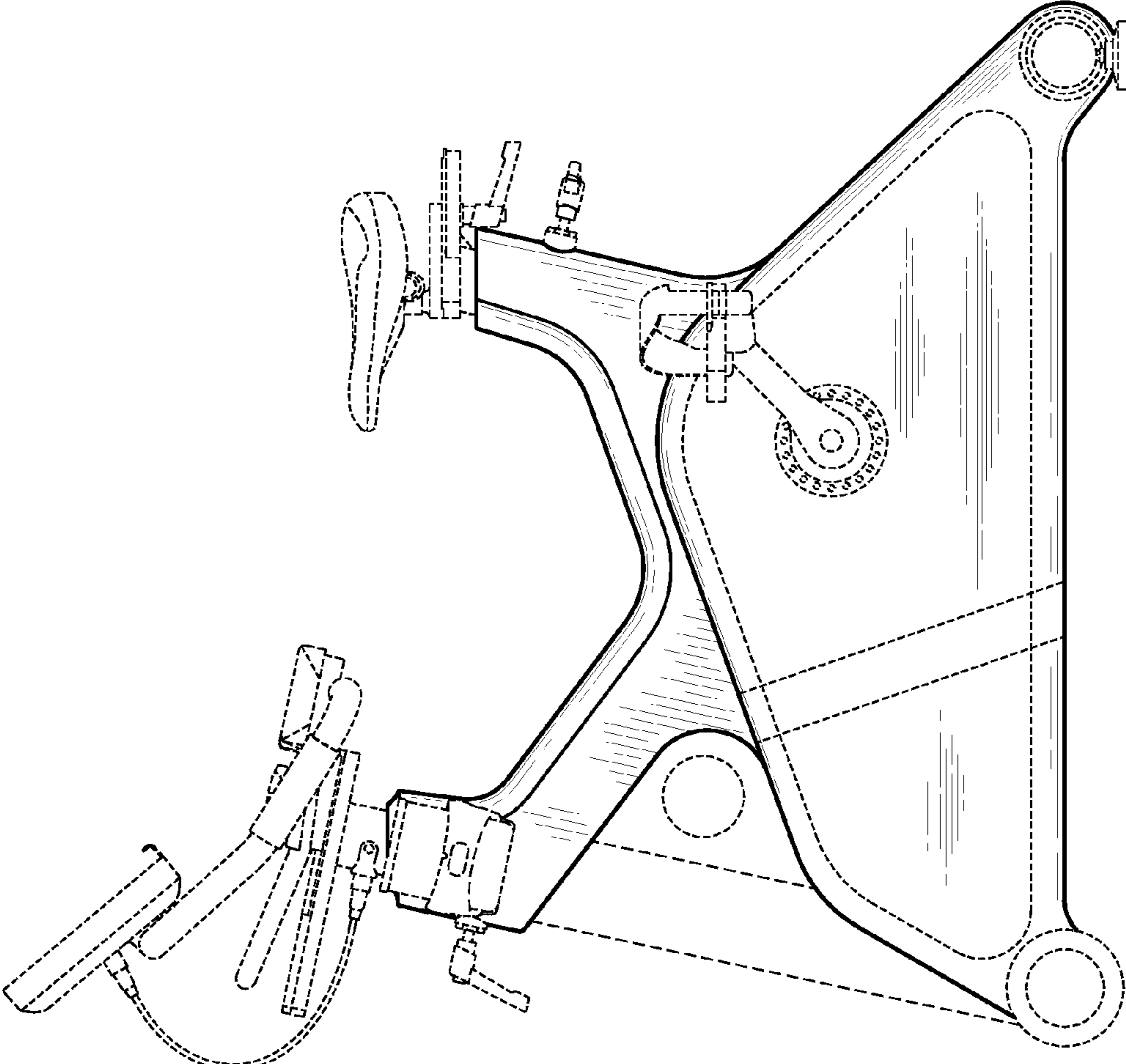


Fig. 12