



US00D561268S

(12) **United States Design Patent**  
**Myers**

(10) **Patent No.:** **US D561,268 S**

(45) **Date of Patent:** **\*\* Feb. 5, 2008**

(54) **USER INTERFACE BEZEL**

(75) Inventor: **Gordon H. Myers**, Reno, NV (US)

(73) Assignee: **Bally Gaming, Inc.**, Las Vegas, NV (US)

(\*\*) Term: **14 Years**

(21) Appl. No.: **29/276,223**

(22) Filed: **Jan. 19, 2007**

(51) **LOC (8) Cl.** ..... **21-01**

(52) **U.S. Cl.** ..... **D21/385; D21/370**

(58) **Field of Classification Search** ..... D21/324,  
D21/329, 369–370, 385; D10/50, 103; D14/257–258,  
D14/383, 385, 386, 388, 443; D20/1–2,  
D20/8–9; D99/28; 194/206; 273/138.1,  
273/309; 463/11–13, 25–26, 46–47

See application file for complete search history.

(56) **References Cited**

**U.S. PATENT DOCUMENTS**

- D344,684 S \* 3/1994 Metz et al. .... D10/103
- D415,165 S \* 10/1999 Tokiyama et al. .... D14/258
- D417,145 S \* 11/1999 McLaughlin ..... D21/369
- 6,227,970 B1 \* 5/2001 Shimizu et al. .... 463/20
- D455,742 S \* 4/2002 Kiai ..... D14/257
- D488,280 S \* 4/2004 Zerman et al. .... D99/28

- D488,839 S \* 4/2004 Bristol et al. .... D21/369
- D495,373 S \* 8/2004 Bristol et al. .... D21/369
- D505,530 S \* 5/2005 Nelson et al. .... D99/28
- D515,144 S \* 2/2006 Boyd ..... D21/369
- D519,570 S \* 4/2006 Amaitis et al. .... D21/370
- D542,807 S \* 5/2007 Long et al. .... D14/257
- 2003/0220135 A1 \* 11/2003 Gauselmann ..... 463/25
- 2004/0214628 A1 \* 10/2004 Boyd et al. .... 463/20
- 2005/0153773 A1 \* 7/2005 Nguyen et al. .... 463/25

\* cited by examiner

*Primary Examiner*—Sandra L. Morris

(74) *Attorney, Agent, or Firm*—J P Cody

(57) **CLAIM**

The ornamental design for a user interface bezel, as shown and described.

**DESCRIPTION**

FIG. 1 is a perspective view of a user interface bezel, showing my new design;

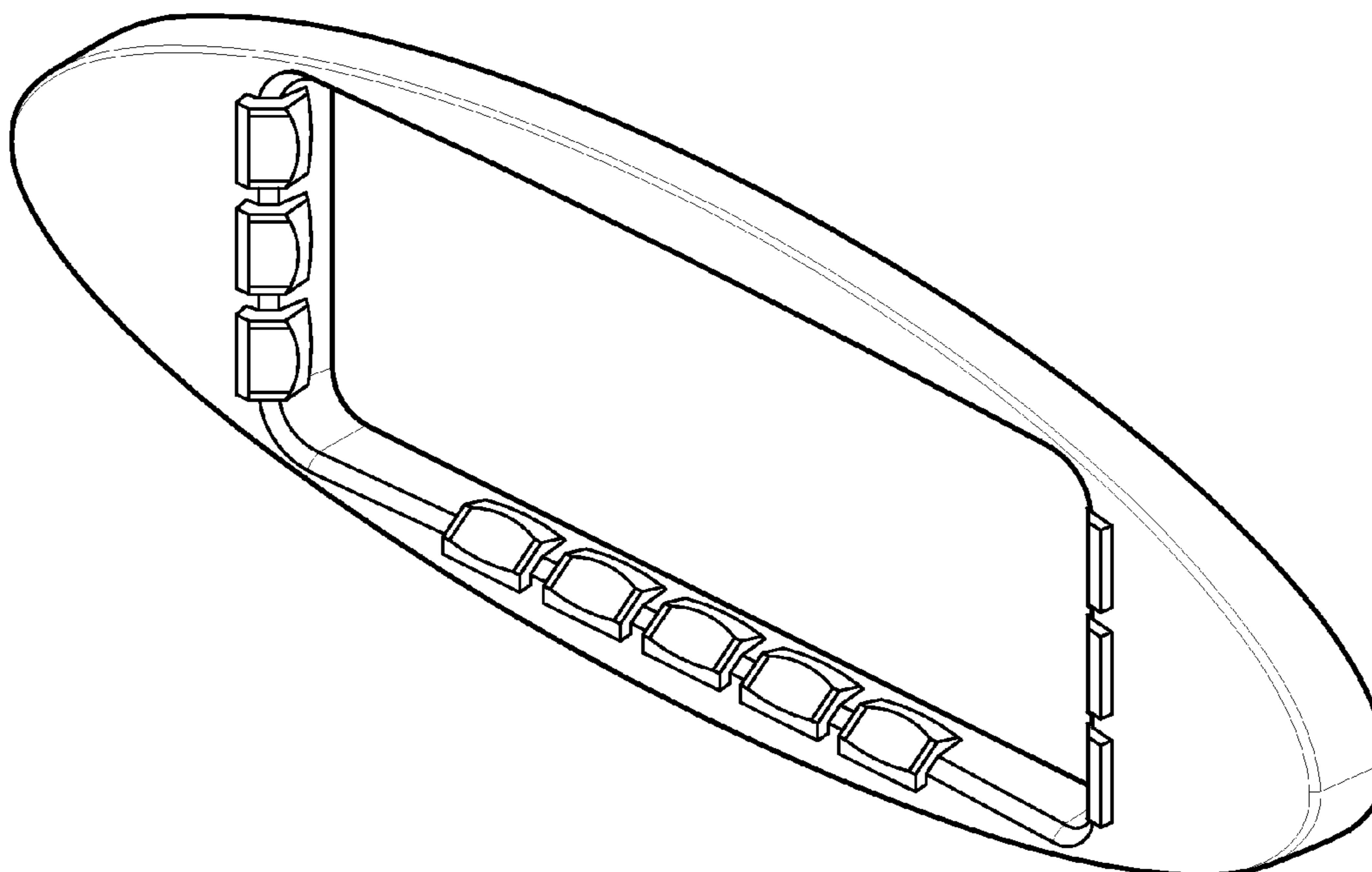
FIG. 2 is a top view thereof;

FIG. 3 is a front elevational view thereof;

FIG. 4 is a right side elevational view thereof; and,

FIG. 5 is a rear elevational view thereof.

**1 Claim, 3 Drawing Sheets**



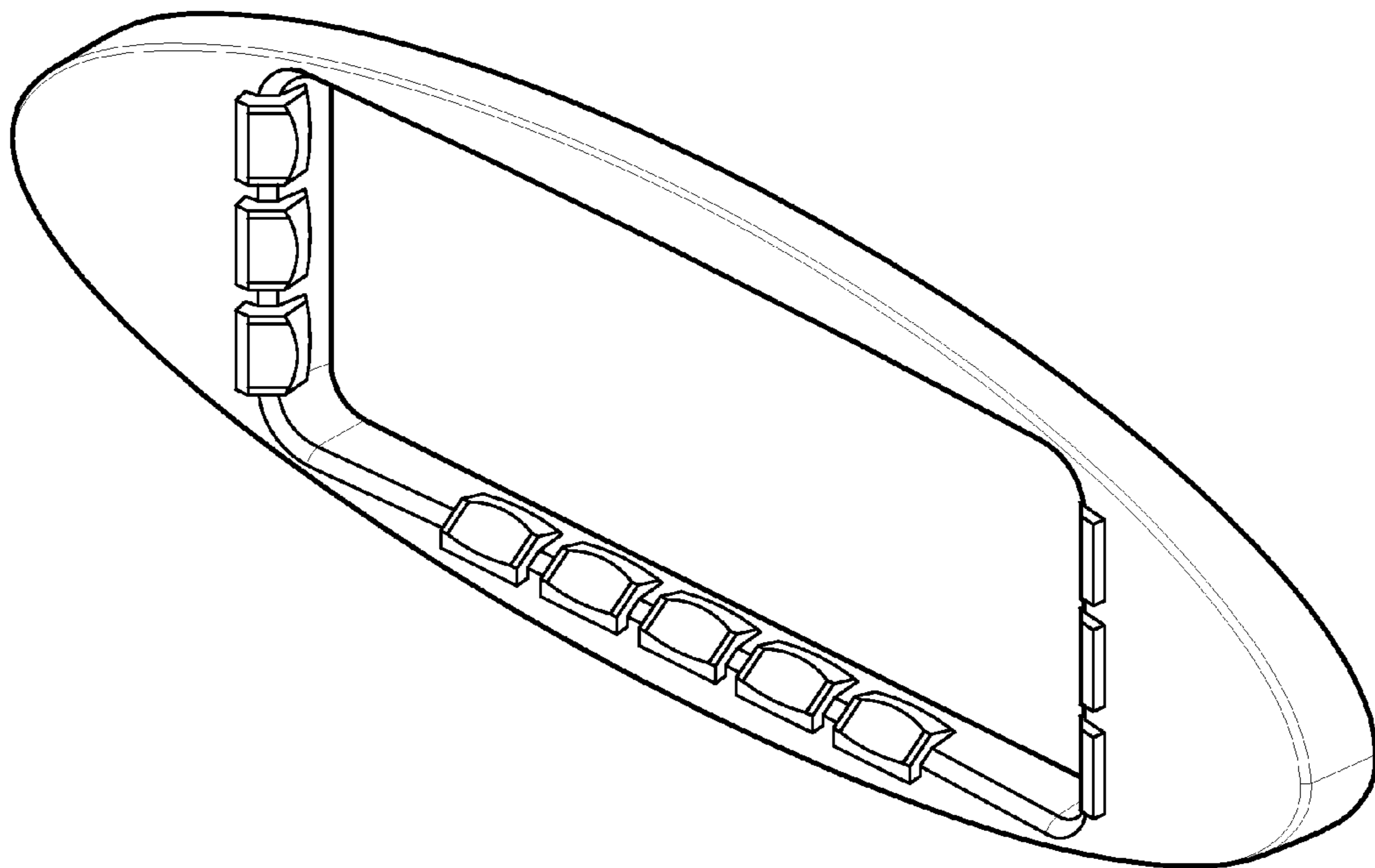


FIG.1

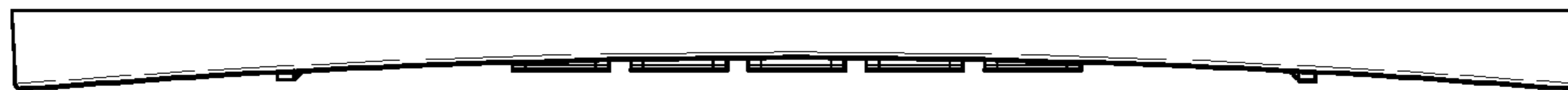


FIG. 2

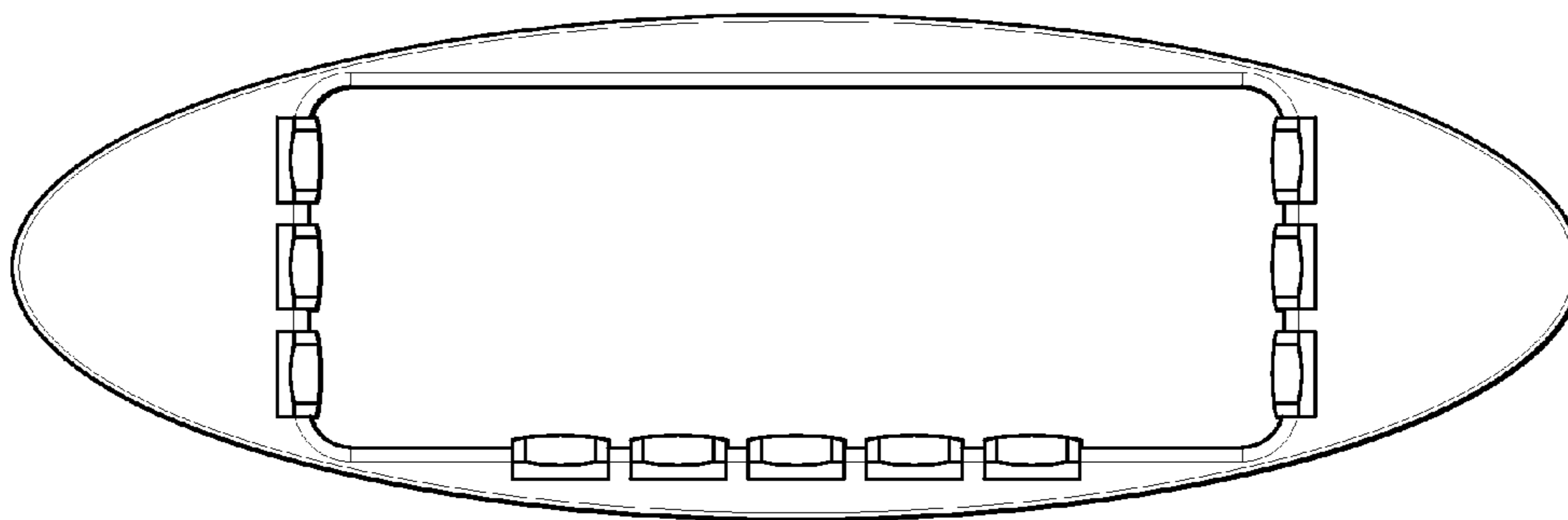


FIG. 3

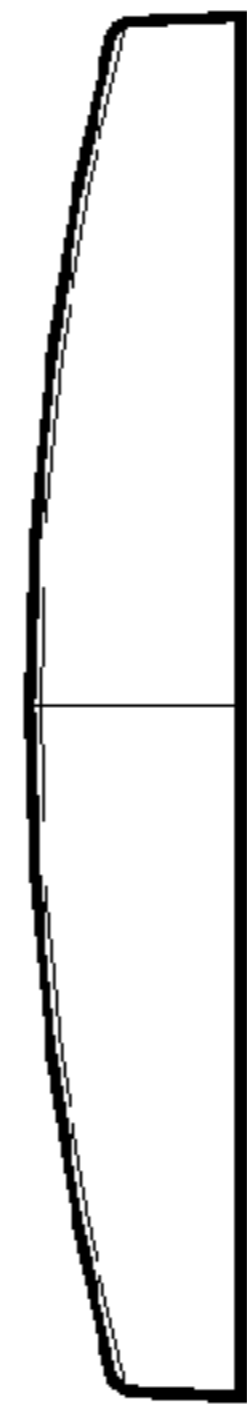


FIG. 4

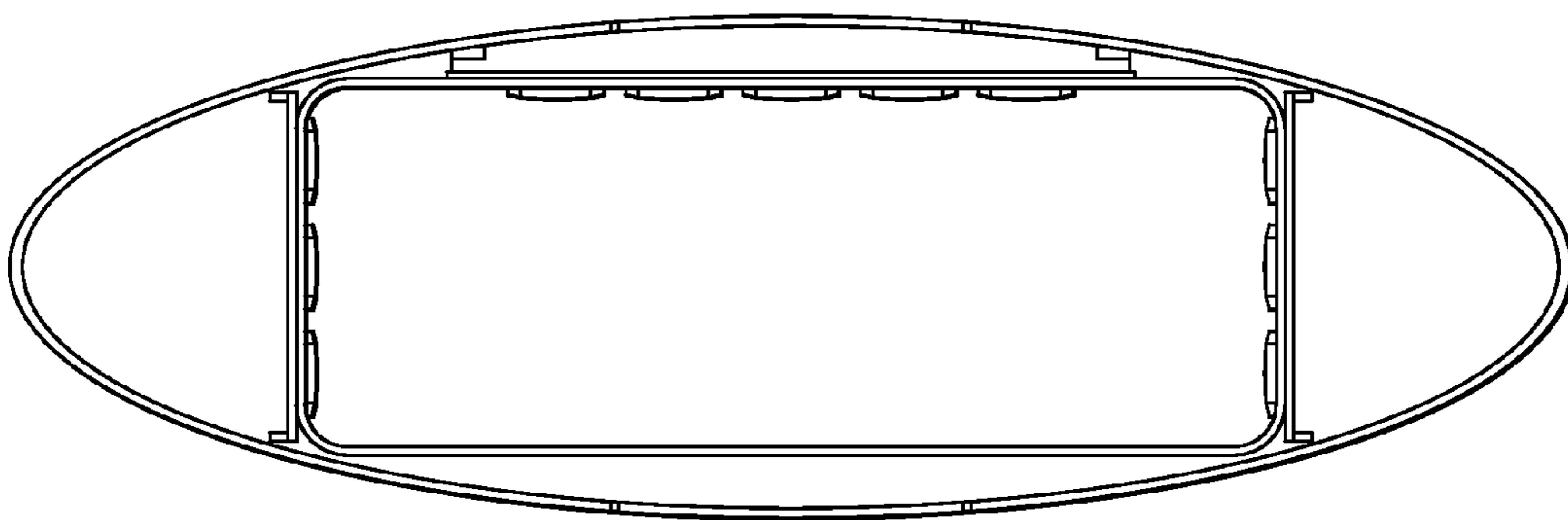


FIG. 5