



US00D561255S

(12) **United States Design Patent** (10) **Patent No.:** **US D561,255 S**
Oas (45) **Date of Patent:** **** Feb. 5, 2008**

(54) **BIG RIBBON PAPER CLIP**

(76) Inventor: **Daniel Oas**, 6250 No. Irwindale Ave.,
Irwindale, CA (US) 91702

(**) Term: **14 Years**

(21) Appl. No.: **29/267,293**

(22) Filed: **Oct. 10, 2006**

(51) **LOC (8) Cl.** **19-02**

(52) **U.S. Cl.** **D19/65**

(58) **Field of Classification Search** D11/120,
D11/133, 56, 66, 98; D19/65; D21/794;
D22/129; D6/303; D7/354, 628; 72/379.2;
24/563

See application file for complete search history.

(56) **References Cited**

U.S. PATENT DOCUMENTS

- D378,904 S * 4/1997 Sciuto D11/66
- D381,361 S * 7/1997 Sato D19/65
- 5,970,777 A * 10/1999 Hunt et al. 72/379.2
- D433,450 S * 11/2000 Ferguson D19/65
- D446,837 S * 8/2001 Tate D21/794
- D455,978 S * 4/2002 Brown D11/98
- D456,476 S * 4/2002 Tate D21/794
- 6,457,218 B1 * 10/2002 Lawrence 24/563
- D473,813 S * 4/2003 Titus et al. D11/66
- D481,647 S * 11/2003 Drew D11/56
- D485,504 S * 1/2004 Drew D11/56
- D495,023 S * 8/2004 Kurachi D22/129
- D506,783 S * 6/2005 Siegel D19/65
- D507,704 S * 7/2005 Dean et al. D6/303
- D520,905 S * 5/2006 Andrews D11/133

- D525,520 S * 7/2006 Martin D8/356
- D525,897 S * 8/2006 Raiman D11/66
- D526,886 S * 8/2006 Kramer D8/356
- D531,223 S * 10/2006 Lynch D19/65
- D533,050 S * 12/2006 Kelleghan D8/356
- D533,746 S * 12/2006 Levy et al. D7/354
- D540,905 S * 4/2007 Wilson D22/129
- D542,590 S * 5/2007 Levy et al. D7/354
- D544,761 S * 6/2007 Vovan D7/628
- D544,811 S * 6/2007 Perkins D11/120
- D544,914 S * 6/2007 Blagrove D19/2

* cited by examiner

Primary Examiner—Cathron C. Brooks
Assistant Examiner—Austin Murphy
(74) *Attorney, Agent, or Firm*—Edgar W. Averill, Jr.;
Kenneth L. Green

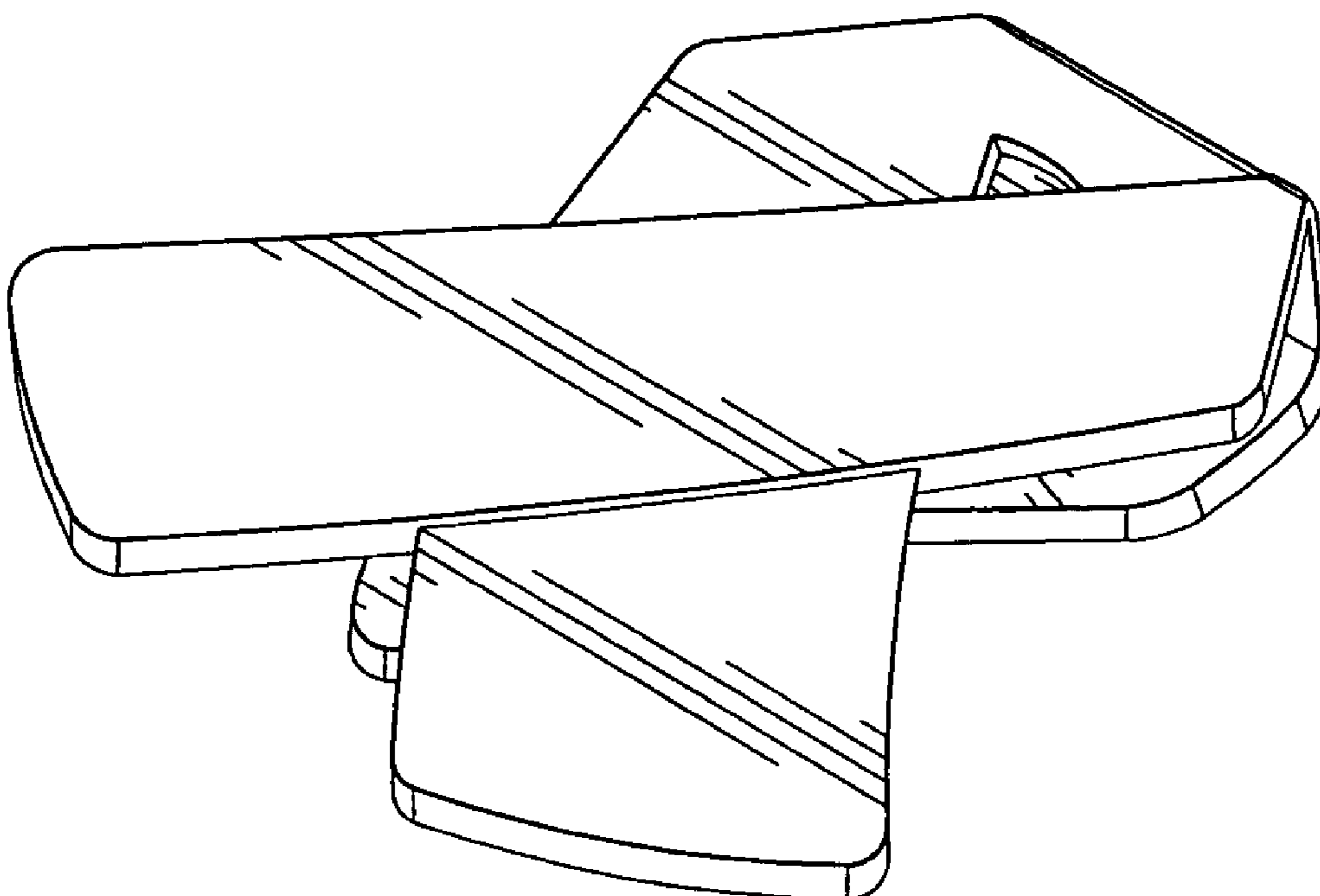
(57) **CLAIM**

The ornamental design for a big ribbon paper clip, as shown.

DESCRIPTION

FIG. 1 is a perspective view showing the front, right side and bottom of the big ribbon paper clip showing my new design. FIG. 2 is a front view thereof. FIG. 3 is a left side view thereof. FIG. 4 is a right side view thereof. FIG. 5 is a bottom view thereof. FIG. 6 is a back view thereof; and, FIG. 7 is a top view thereof.

1 Claim, 2 Drawing Sheets



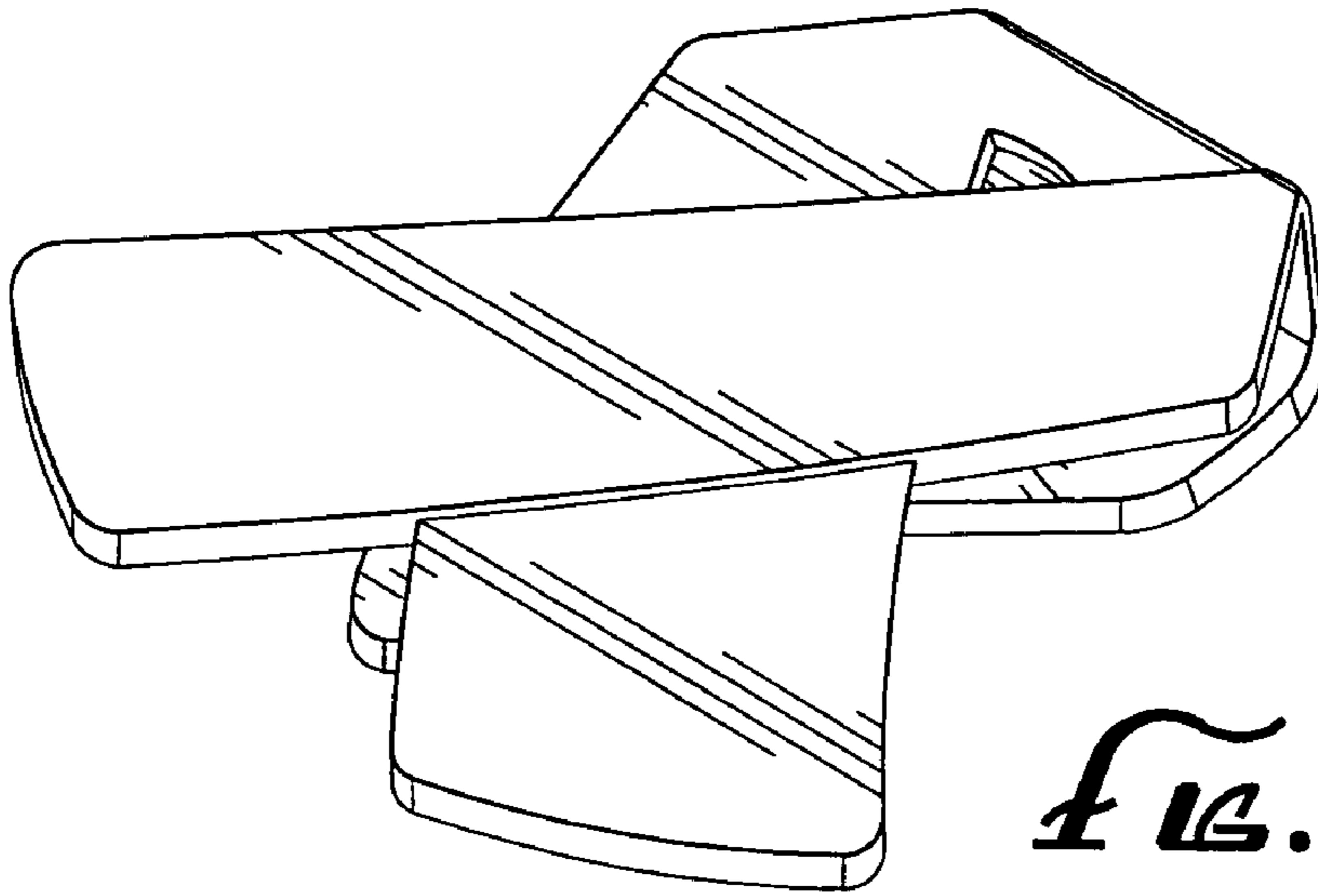


FIG. 1

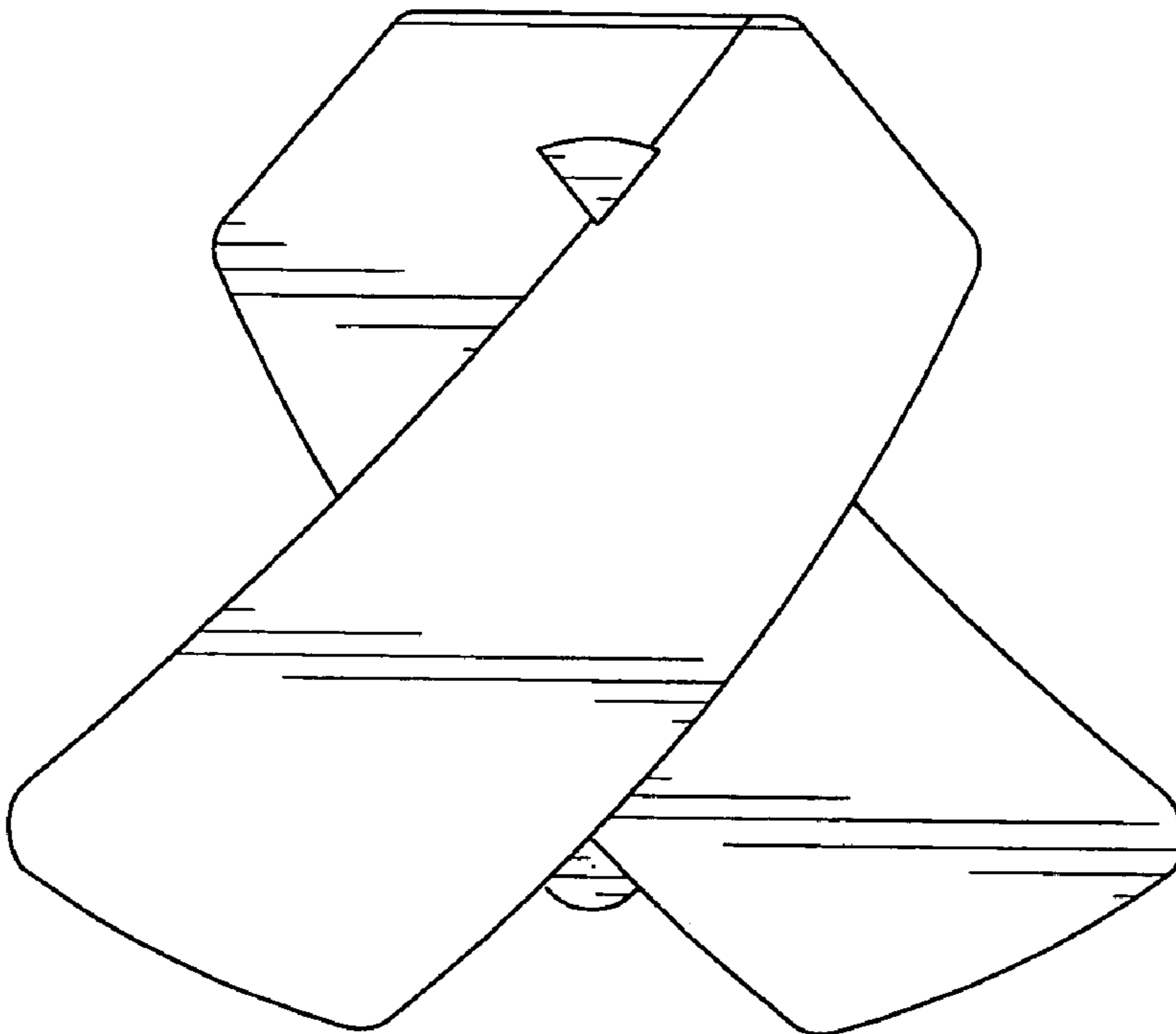


FIG. 2

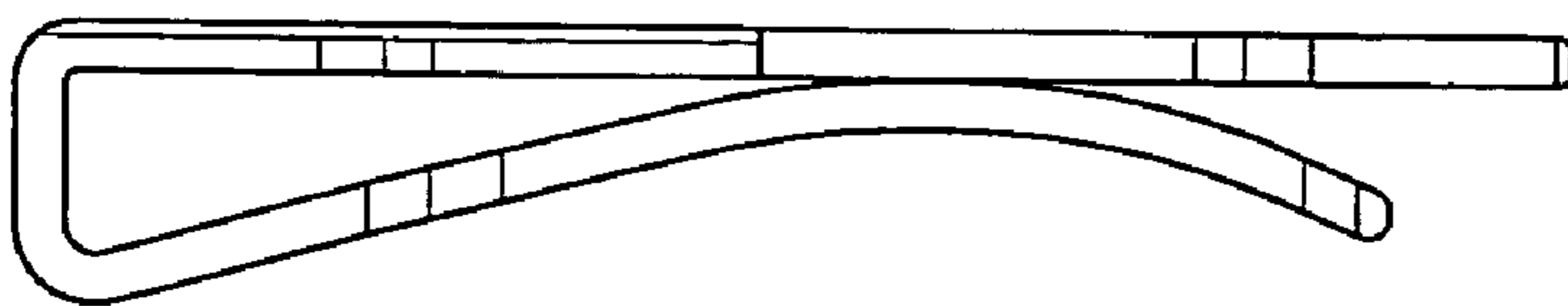


FIG. 3

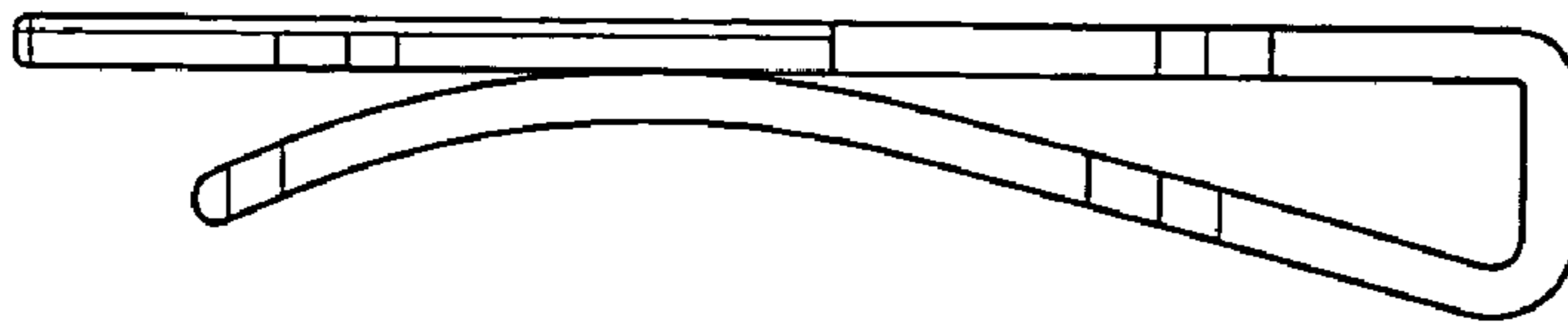


FIG. 4

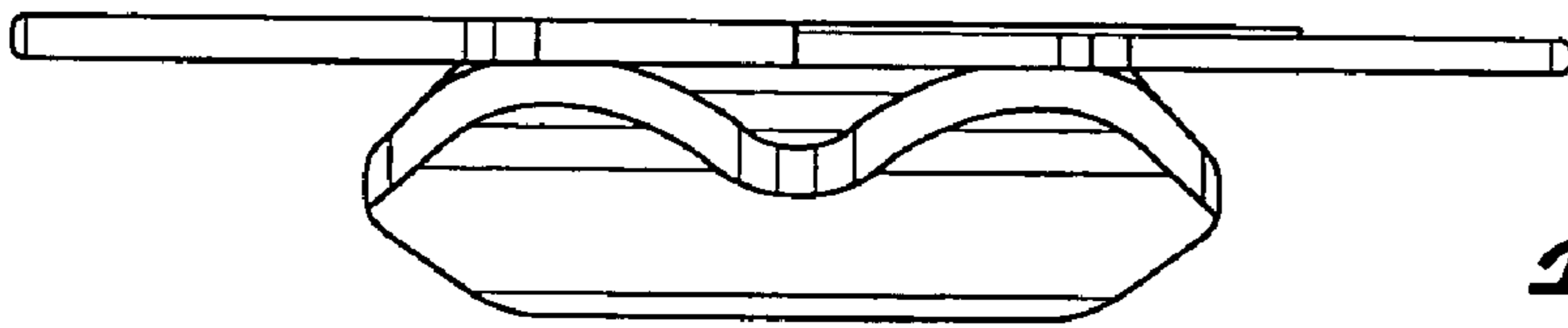


FIG. 5

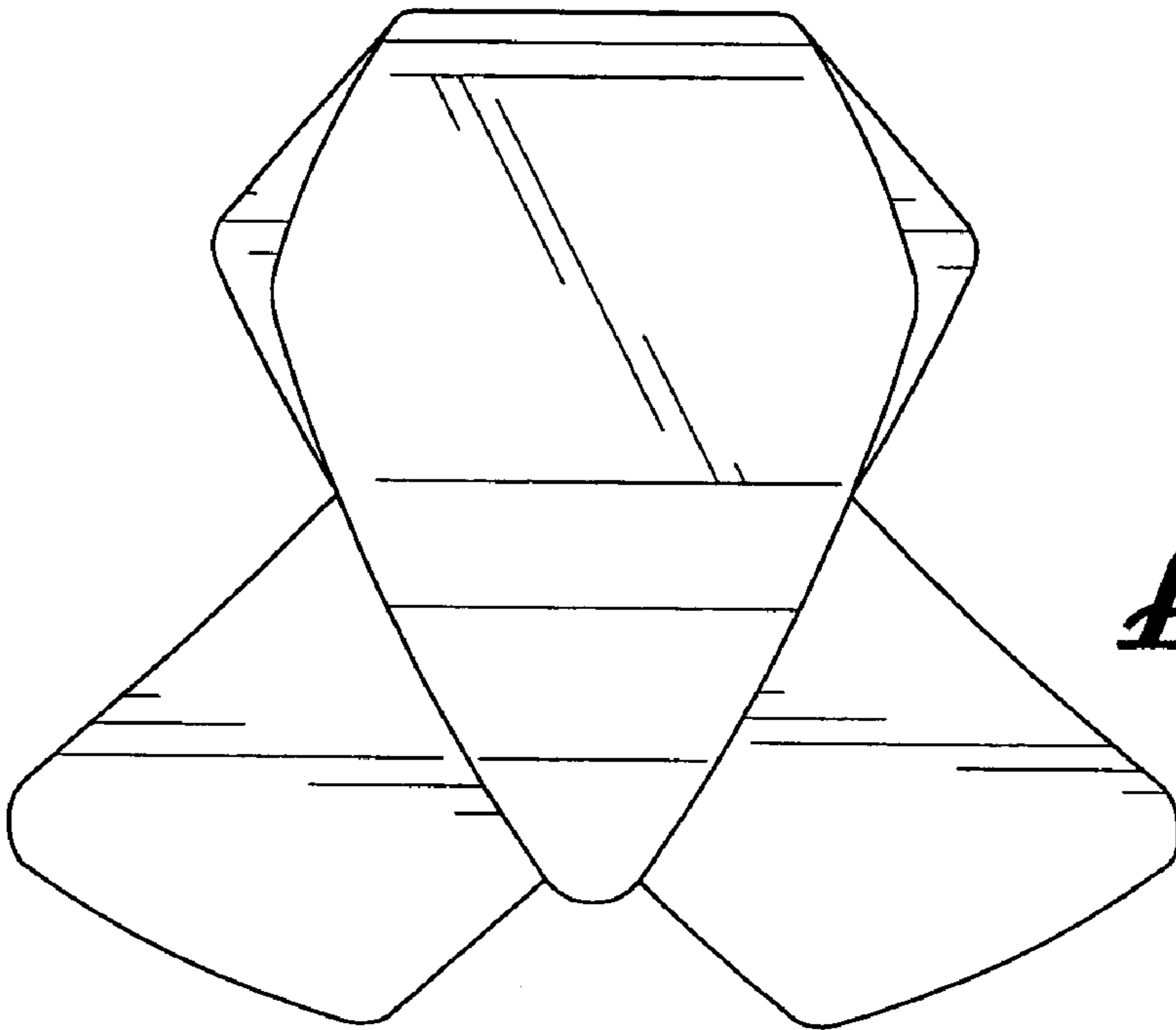


FIG. 6

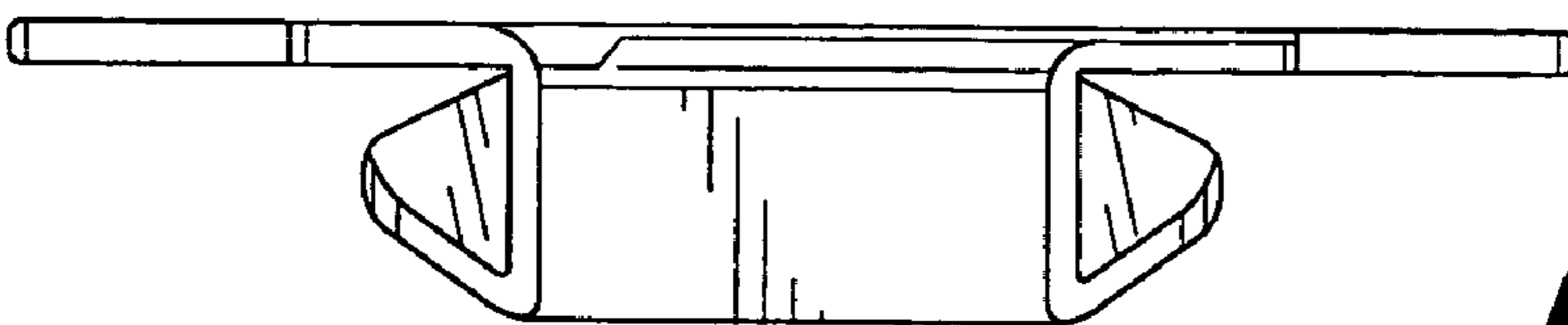


FIG. 7