

US00D561251S

(12) **United States Design Patent**
Tjin Wong Joe et al.

(10) **Patent No.:** **US D561,251 S**

(45) **Date of Patent:** **** Feb. 5, 2008**

(54) **MULTI-FUNCTION PRINTER**

(75) Inventors: **Mylene-Angele-Kit-Njoek Tjin Wong Joe**, Singapore (SG); **Heng-Yong Lau**, Singapore (SG)

(73) Assignee: **Hewlett-Packard Development Company, L.P.**, Houston, TX (US)

(**) Term: **14 Years**

(21) Appl. No.: **29/263,726**

(22) Filed: **Jul. 28, 2006**

(51) **LOC (8) Cl.** **14-02**

(52) **U.S. Cl.** **D18/55**

(58) **Field of Classification Search** D18/50,
D18/54, 54.1, 55; D14/420-425, 462-470;
400/613, 613.1-613.4, 691-694, 690.1-690.4
See application file for complete search history.

(56) **References Cited**

U.S. PATENT DOCUMENTS

- D501,667 S * 2/2005 Ishigami et al. D18/50
- D528,154 S * 9/2006 Hattori D18/54
- D532,450 S * 11/2006 Smith et al. D18/55

- D533,218 S * 12/2006 Gant et al. D18/55
- D536,372 S * 2/2007 Lim et al. D18/53
- D539,283 S * 3/2007 McIntyre D14/425

* cited by examiner

Primary Examiner—Cathy Anne MacCormac

(57) **CLAIM**

The ornamental design for a multi-function printer, substantially as shown.

DESCRIPTION

FIG. 1 is a front perspective view of a multi-function printer in accordance with the new design;

FIG. 2 is a front view thereof;

FIG. 3 is a top view thereof;

FIG. 4 is a right side view thereof;

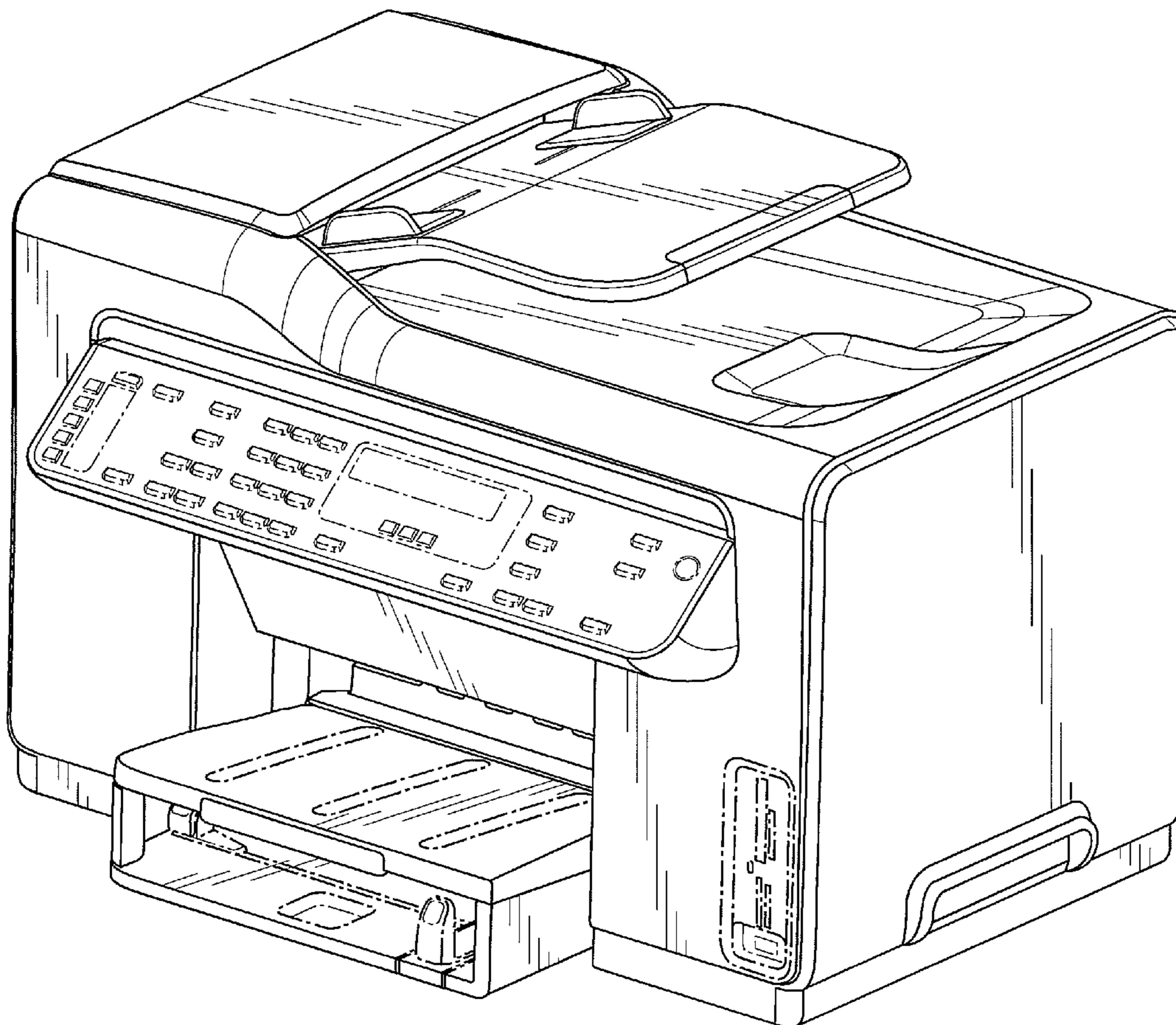
FIG. 5 is a left side view thereof;

FIG. 6 is a rear view thereof; and,

FIG. 7 is bottom view thereof.

The broken lines are for illustrative purposes only and form no part of the claimed design.

1 Claim, 7 Drawing Sheets



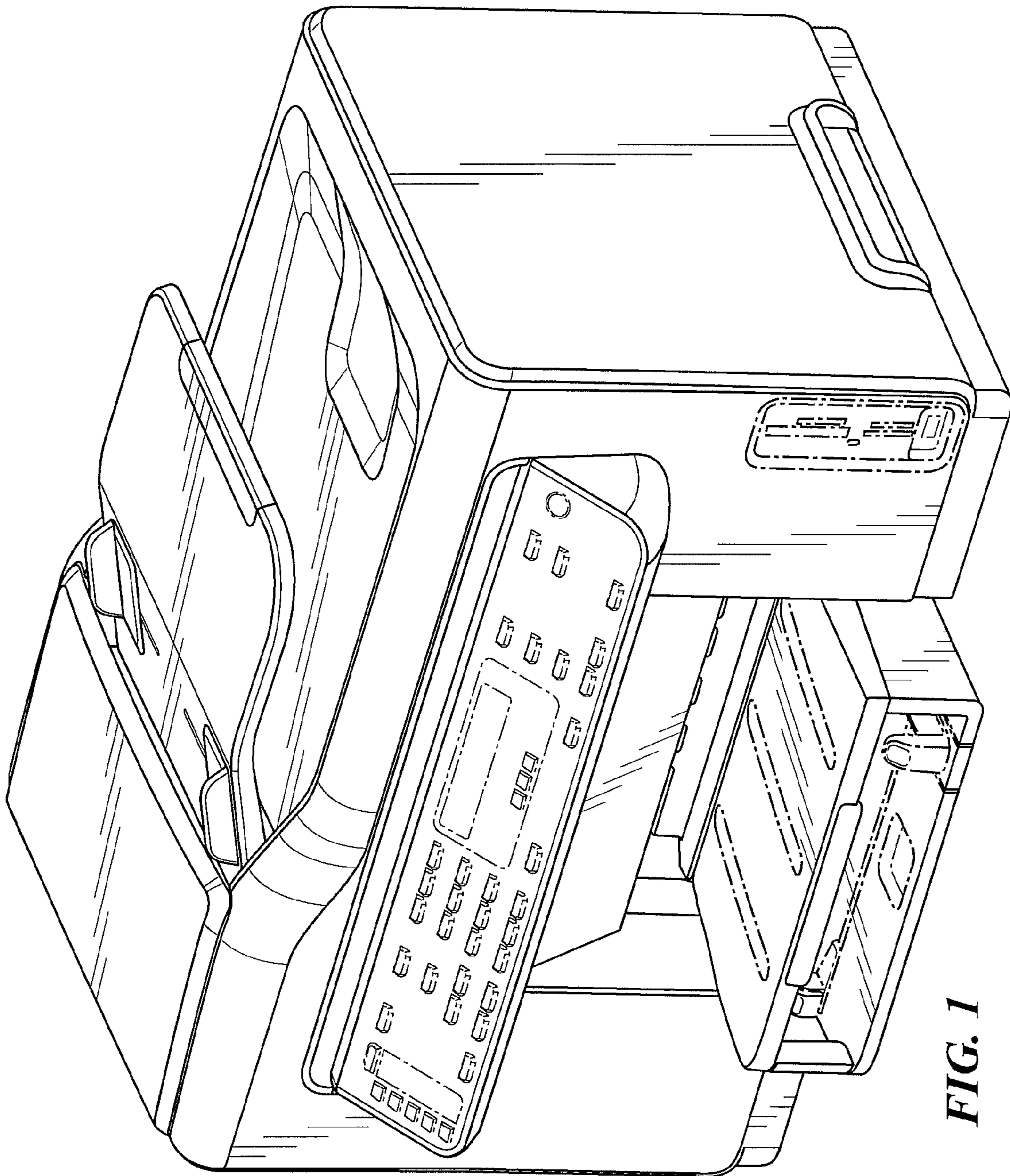


FIG. 1

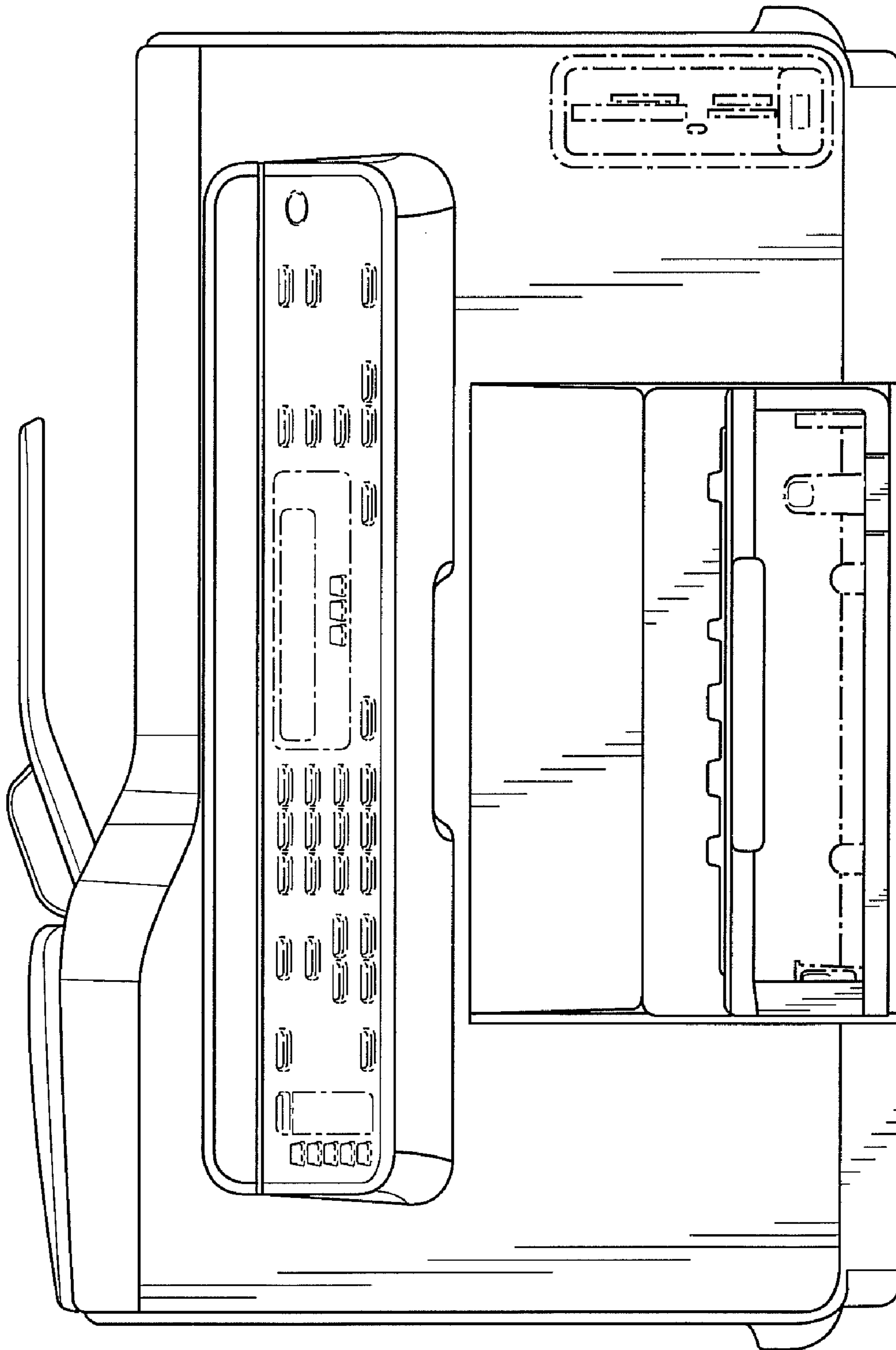


FIG. 2

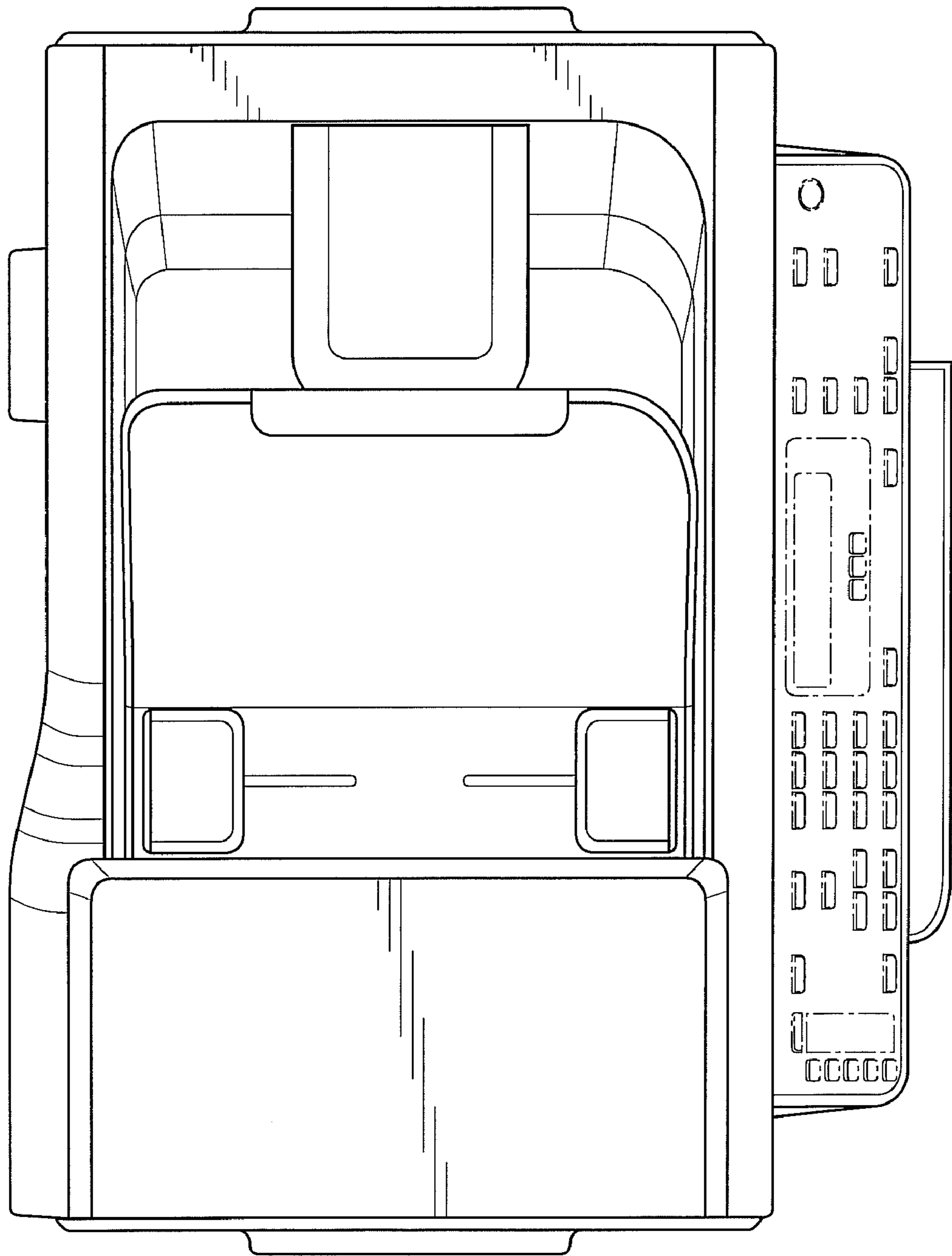


FIG. 3

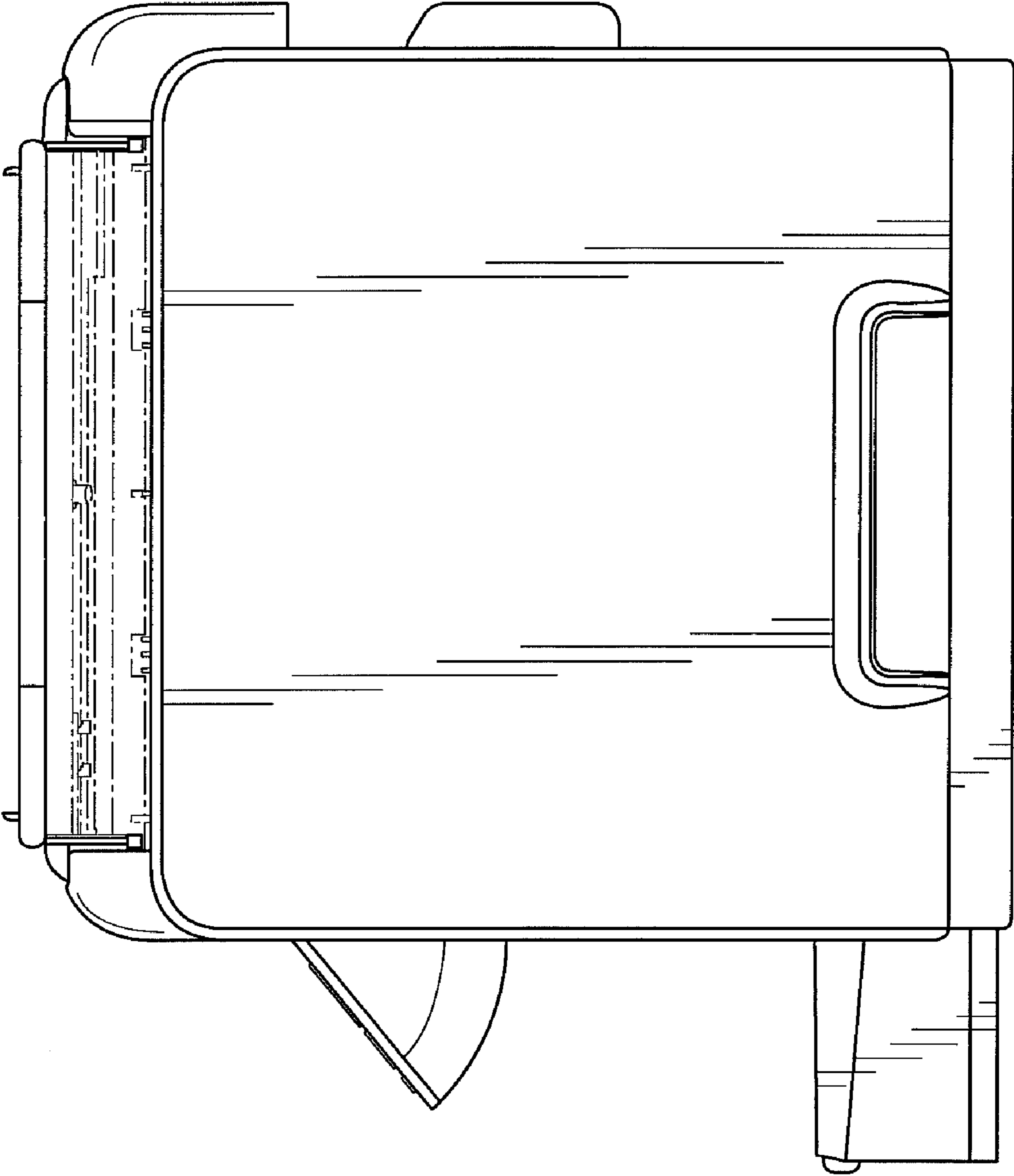


FIG. 4

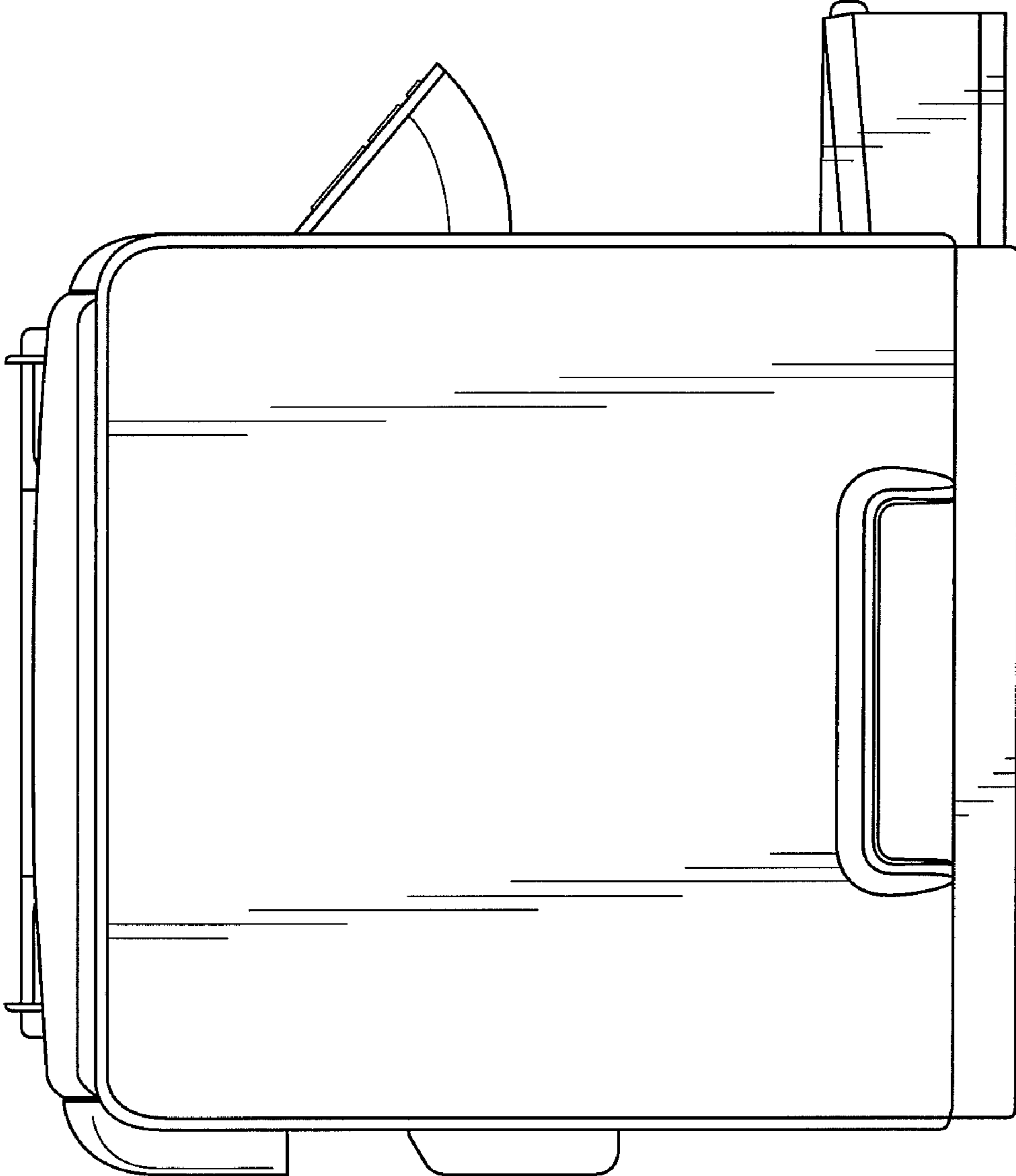


FIG. 5

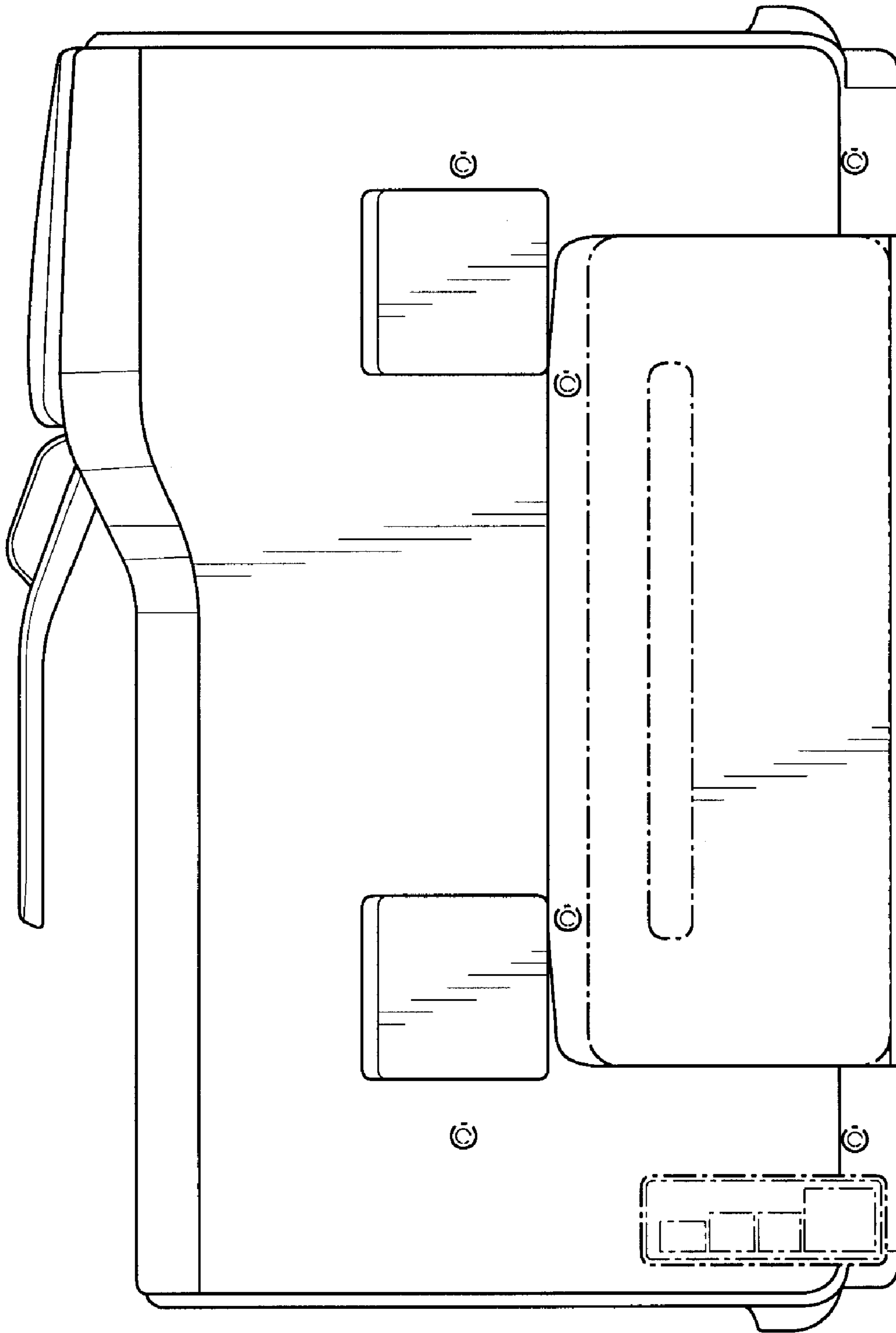


FIG. 6

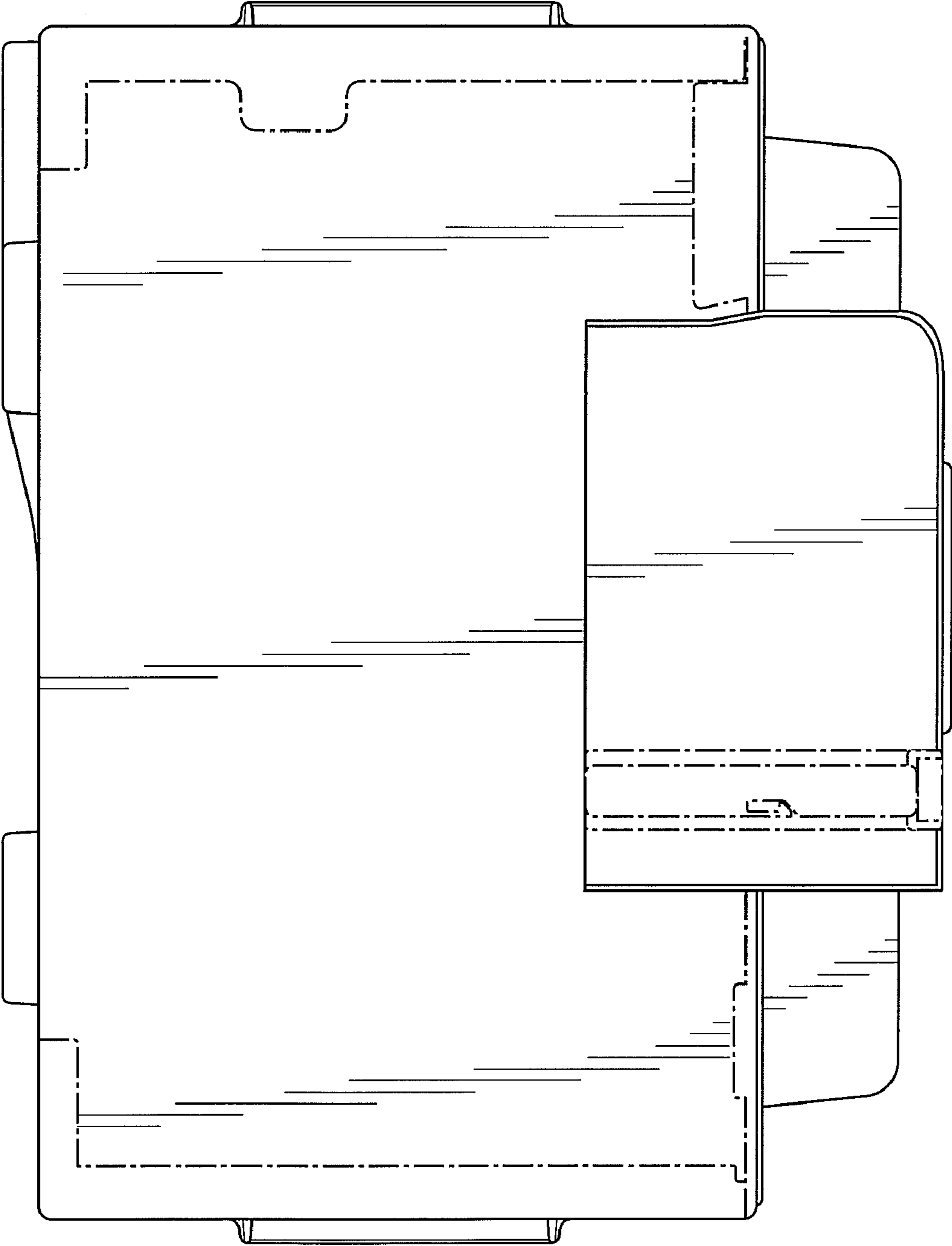


FIG. 7