



US00D561250S

(12) **United States Design Patent**
Smith et al.

(10) **Patent No.: US D561,250 S**

(45) **Date of Patent: ** *Feb. 5, 2008**

(54) **PRINTER HOUSING**

(75) Inventors: **Michael E. Smith**, Austin, TX (US);
Greg Holderfield, Oak Park, IL (US)

(73) Assignee: **Dell Products L.P.**, Round Rock, TX (US)

(*) Notice: This patent is subject to a terminal disclaimer.

(**) Term: **14 Years**

(21) Appl. No.: **29/248,837**

(22) Filed: **Sep. 7, 2006**

(51) **LOC (8) Cl. 14-02**

(52) **U.S. Cl. D18/55**

(58) **Field of Classification Search** D18/50,
D18/54, 54.1, 55; D14/420–425, 462–470;
400/613, 613.1–613.4, 691–694, 690.1–690.4
See application file for complete search history.

(56) **References Cited**

U.S. PATENT DOCUMENTS

- D501,667 S * 2/2005 Ishigami et al. D18/50
- D501,874 S 2/2005 Ishigami D18/50
- D502,732 S 3/2005 Ishigami D18/50
- D505,154 S 5/2005 Wong et al. D18/50
- 7,062,197 B2* 6/2006 Kunugi 399/107
- D528,154 S * 9/2006 Hattori D18/54

- D532,449 S * 11/2006 Tjin Wong Joe et al. D18/55
- D532,450 S * 11/2006 Smith et al. D18/55
- D533,218 S * 12/2006 Gant et al. D18/55
- D534,578 S * 1/2007 Katayama et al. D18/55
- D539,283 S * 3/2007 McIntyre D18/55
- D545,357 S * 6/2007 Hattori et al. D18/55

* cited by examiner

Primary Examiner—Cathy Anne MacCormac
(74) *Attorney, Agent, or Firm*—Hamilton & Terrile, LLP;
Robert W. Holland

(57) **CLAIM**

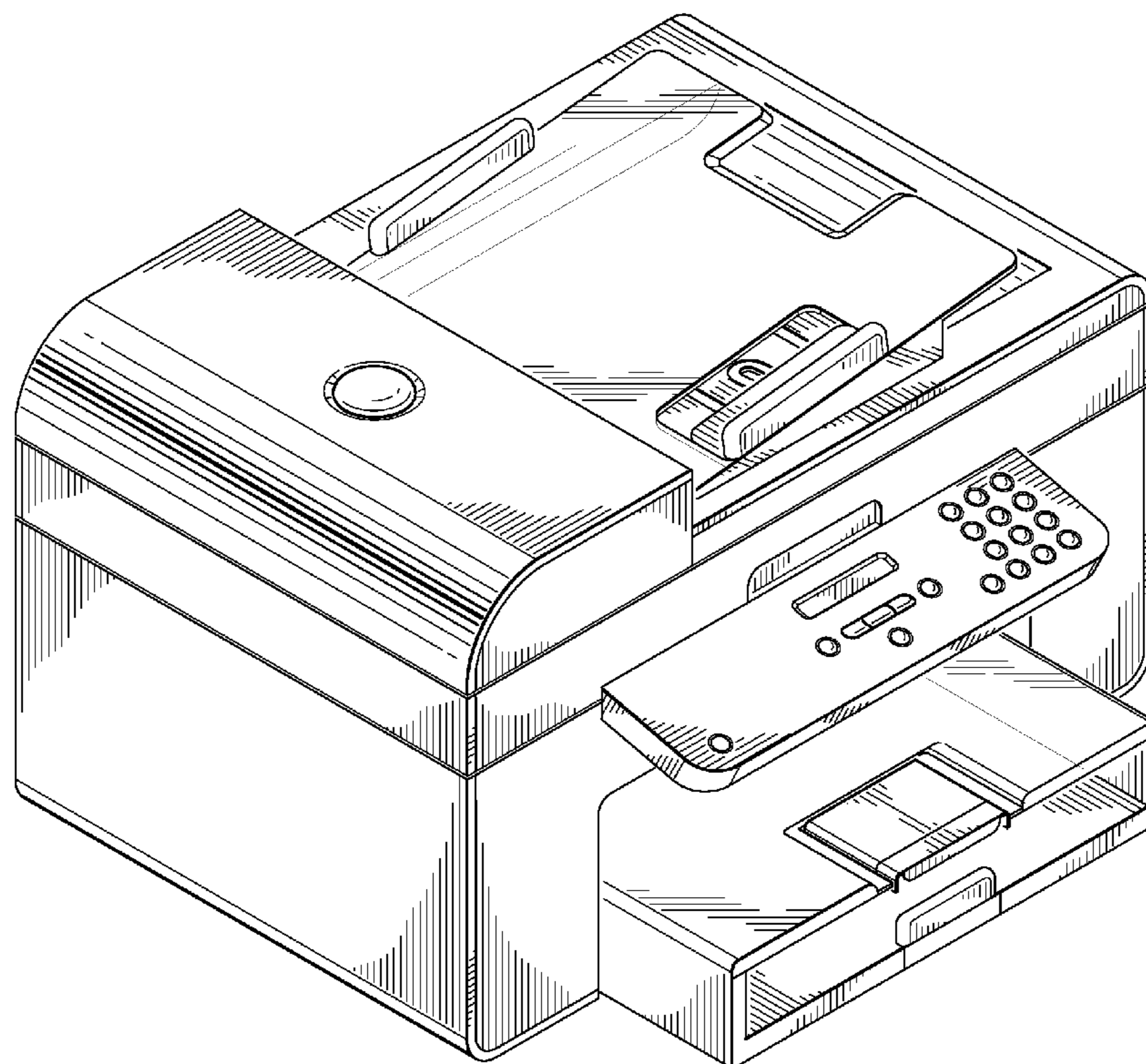
We claim the ornamental design for the printer housing, as shown and described.

DESCRIPTION

FIG. 1 is a front perspective view of a printer housing comprising the present invention;
FIG. 2 is a front elevation view thereof;
FIG. 3 is a right side elevation view thereof;
FIG. 4 is a left side elevation view thereof;
FIG. 5 is a rear elevation view thereof; and,
FIG. 6 is a top plan view thereof.

The broken lines are for illustrative purposes only and form no part of the claimed design.

1 Claim, 4 Drawing Sheets



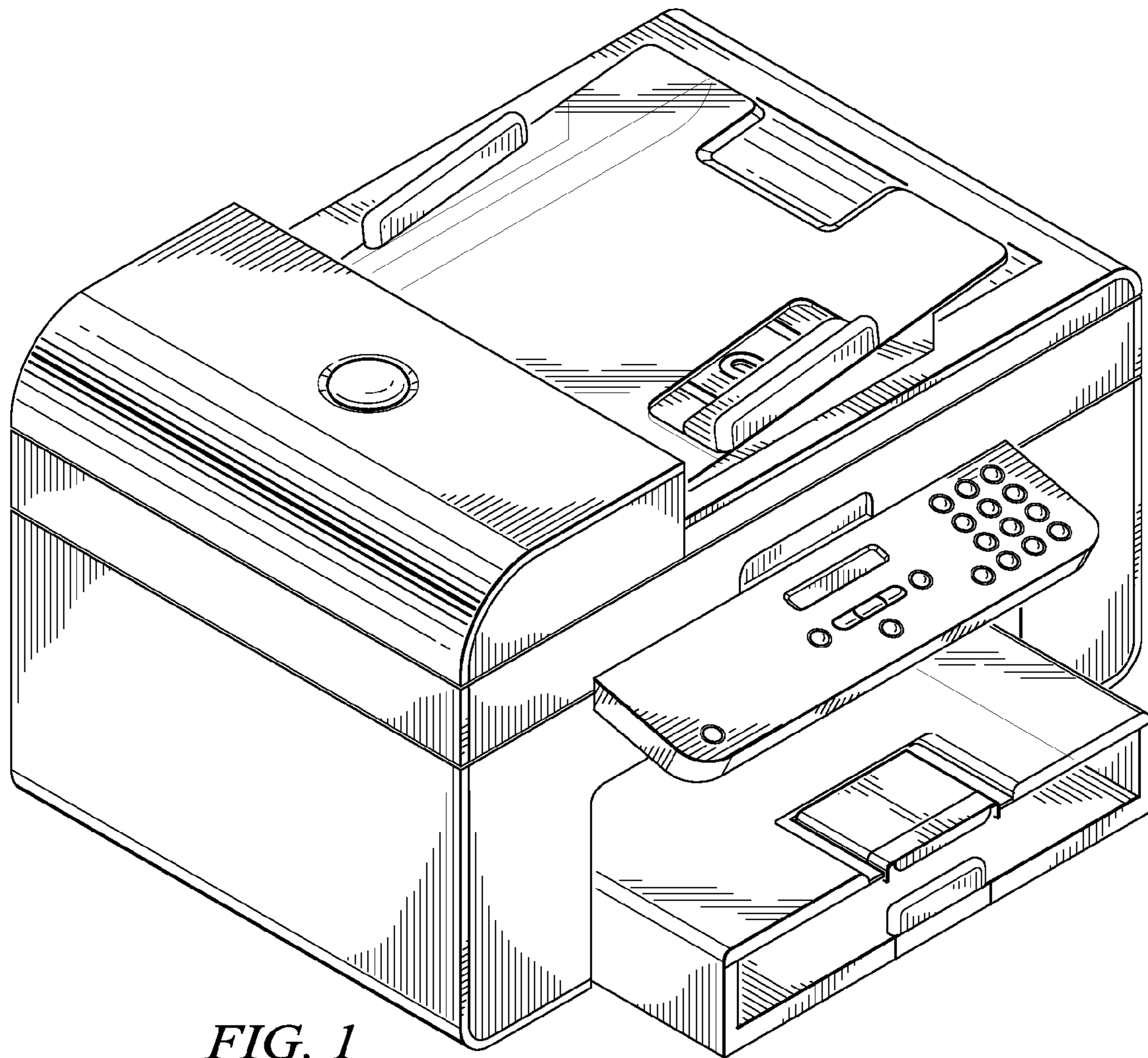


FIG. 1

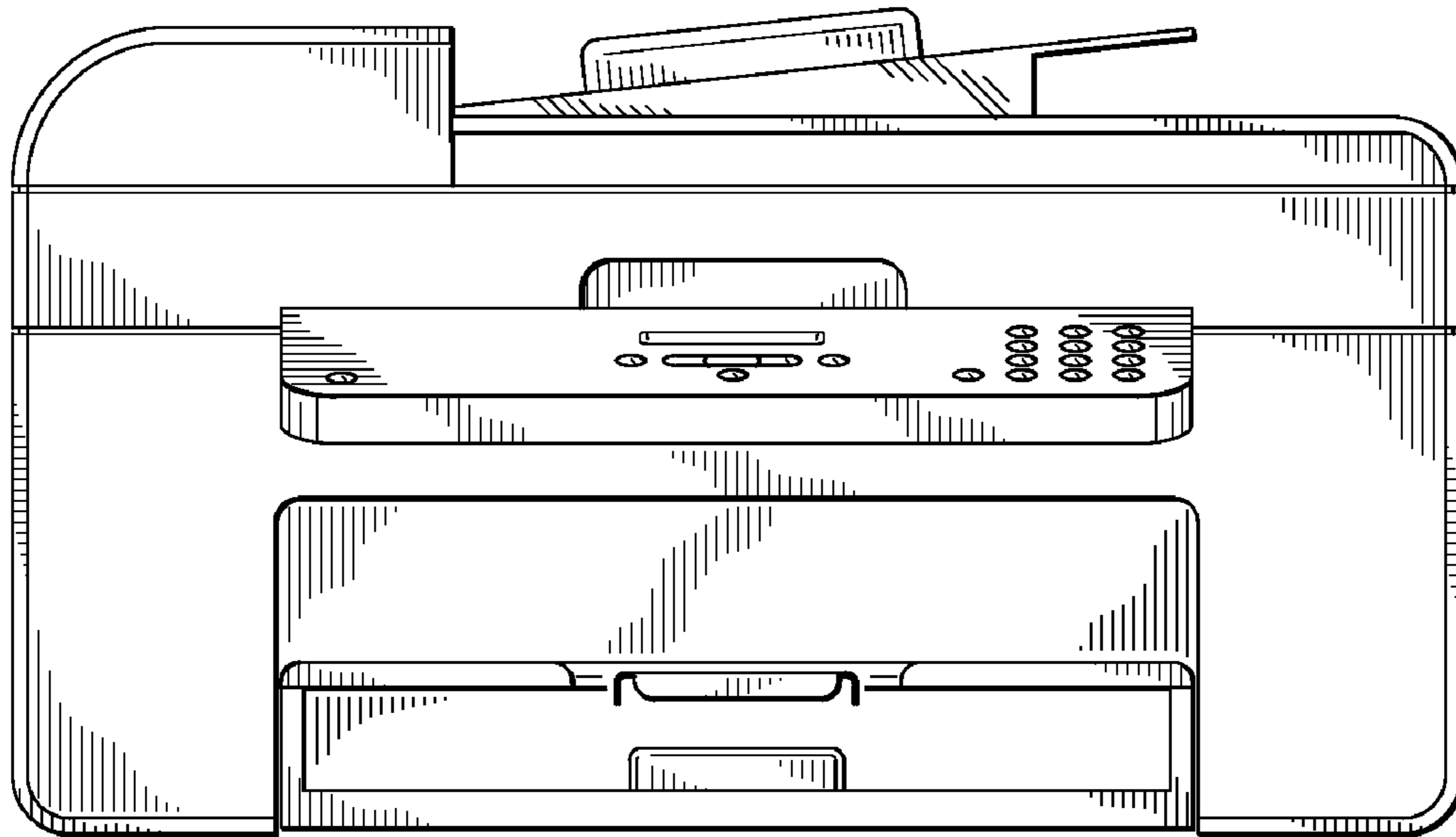


FIG. 2

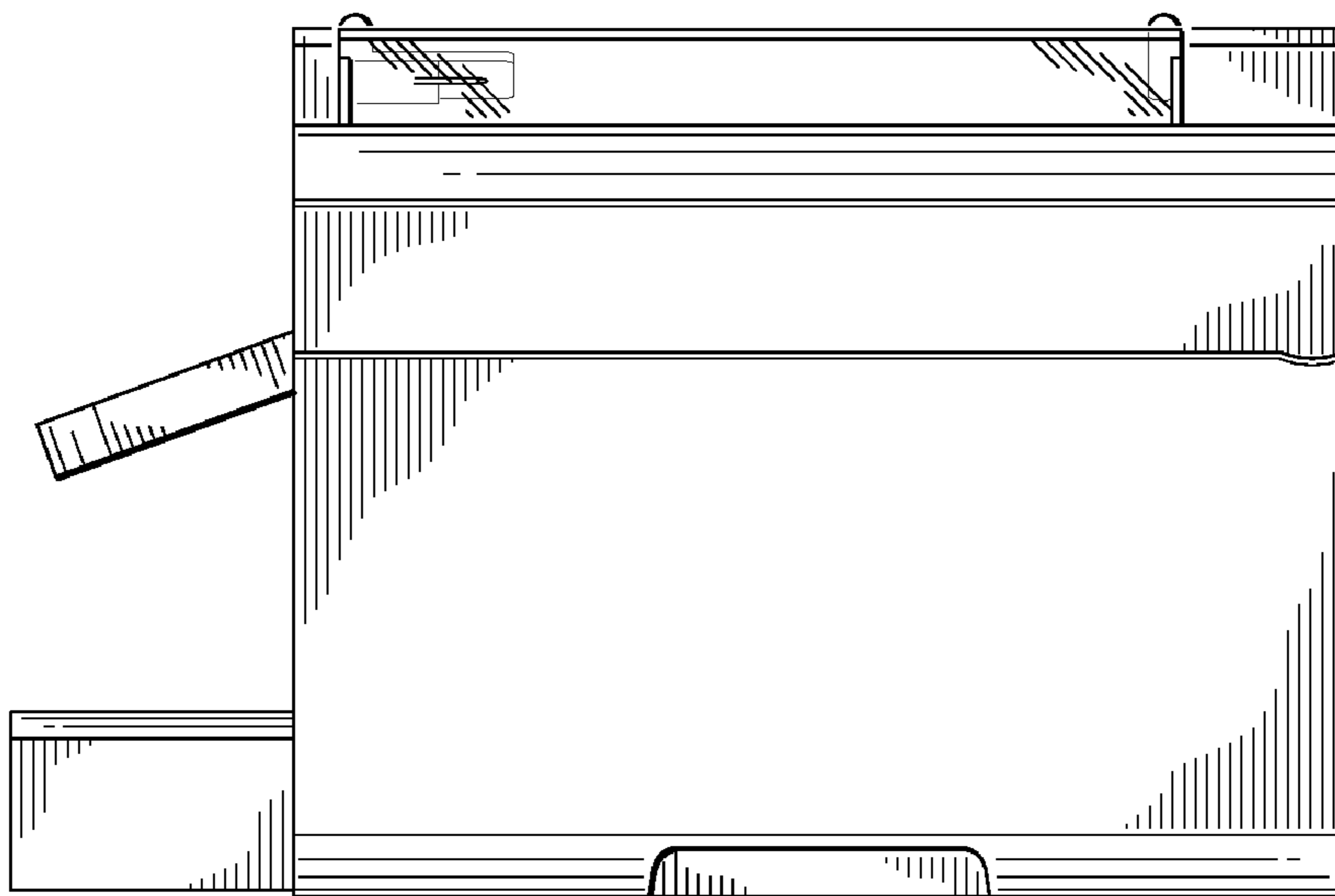


FIG. 3

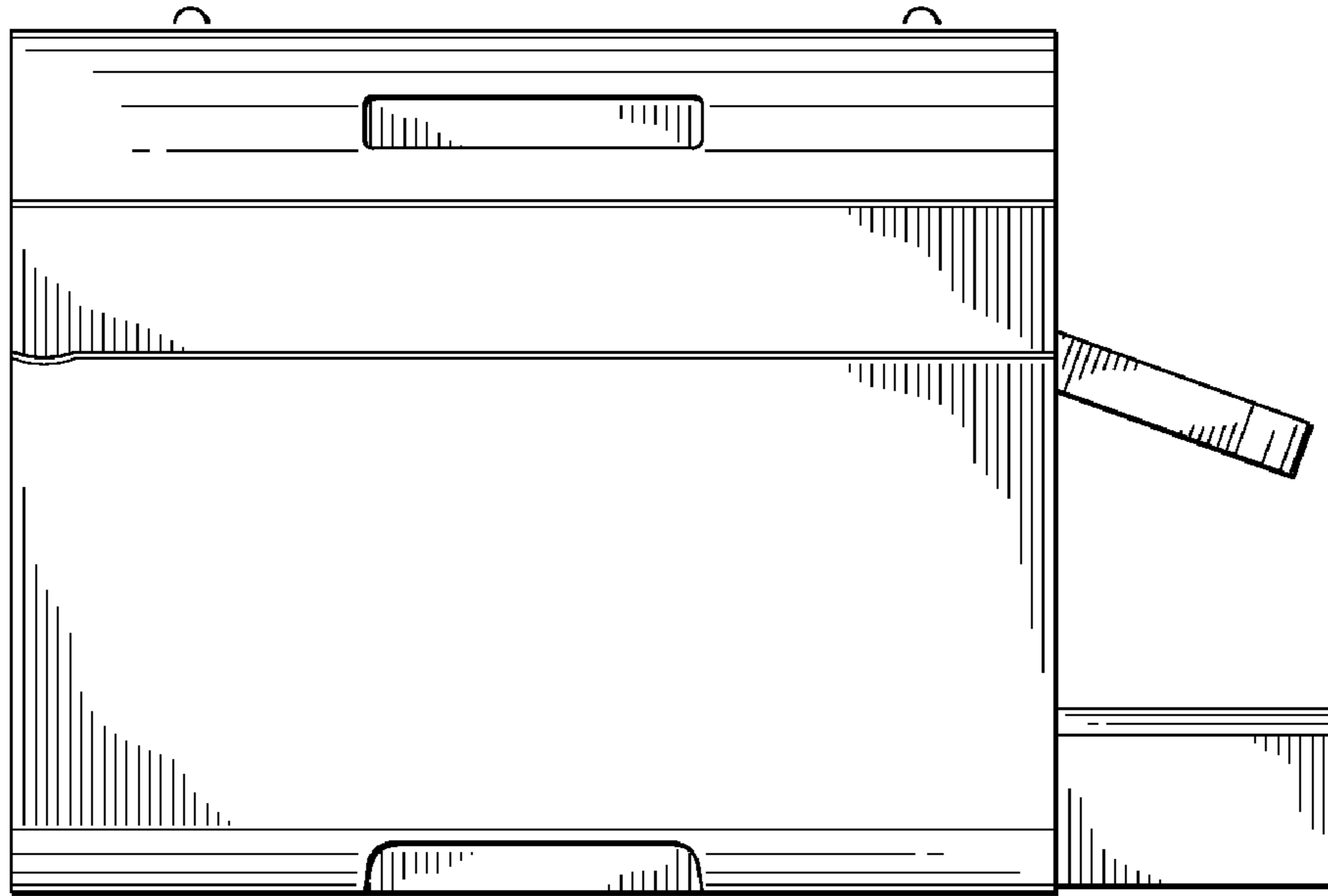


FIG. 4

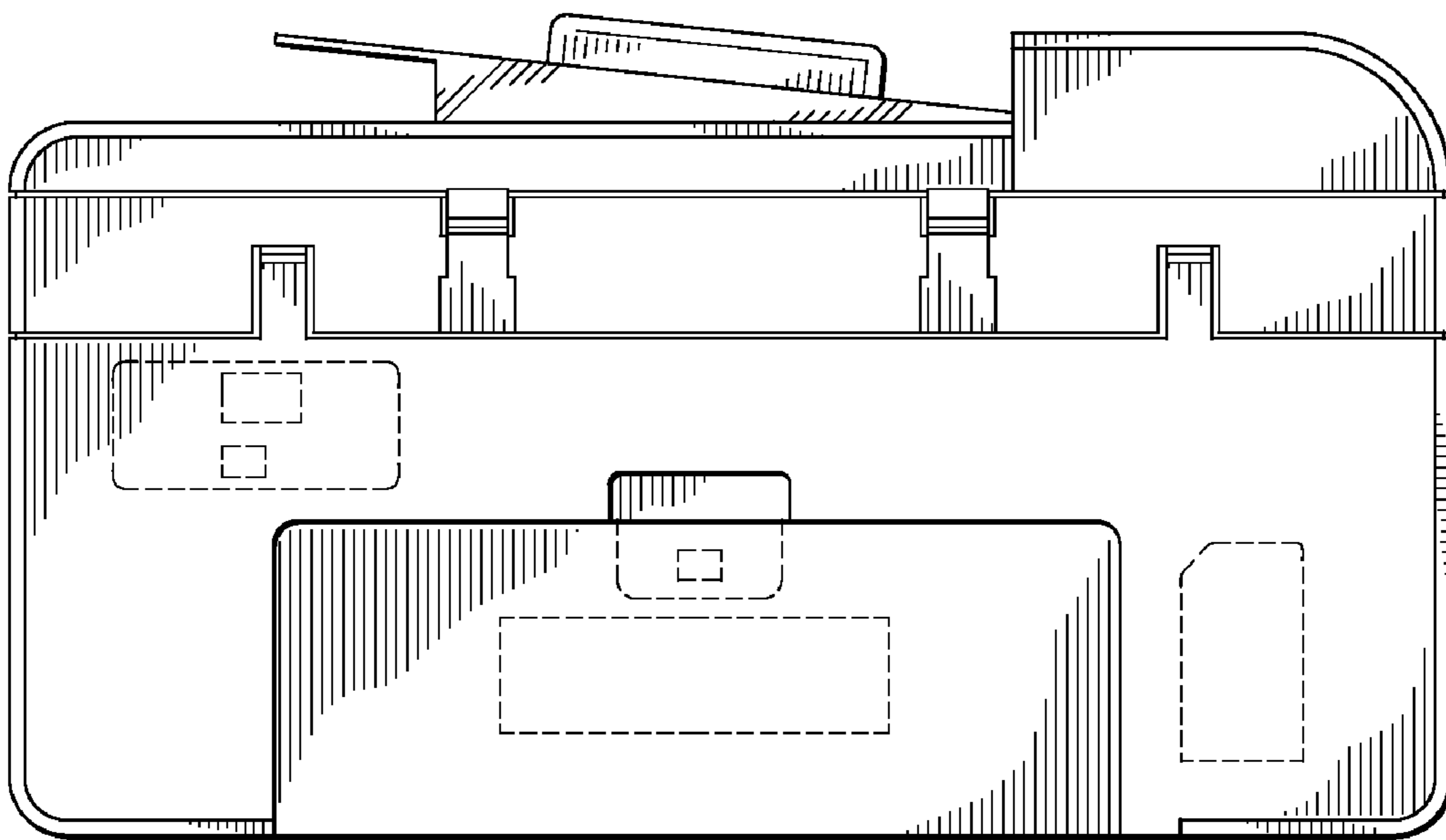


FIG. 5

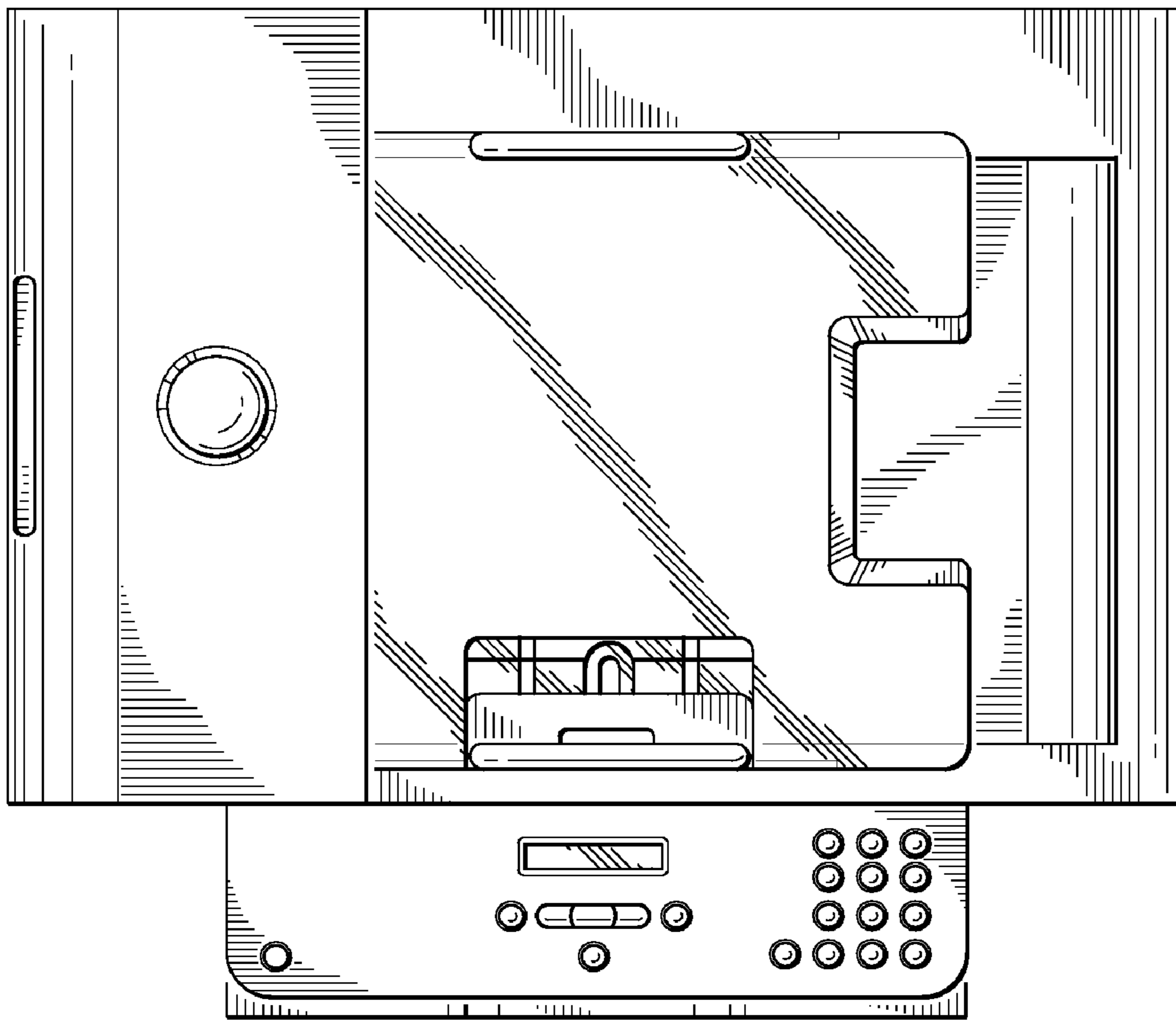


FIG. 6