

US00D561248S

(12) **United States Design Patent**
Lee et al.

(10) **Patent No.:** **US D561,248 S**
(45) **Date of Patent:** **** Feb. 5, 2008**

(54) **COLOR LASER PRINTER**

(75) Inventors: **Son-Young Lee**, Seoul (KR); **Bong-Uk Lim**, Seoul (KR); **Yun-Gi Hong**, Seoul (KR)

(73) Assignee: **Samsung Electronics Co., Ltd.**, Kyunggi-Do (KR)

(**) Term: **14 Years**

(21) Appl. No.: **29/269,898**

(22) Filed: **Dec. 11, 2006**

(51) **LOC (8) Cl.** **14-02**

(52) **U.S. Cl.** **D18/50**

(58) **Field of Classification Search** D18/36-39,
D18/50, 54, 54.1, 55; D14/420-425, 462-470;
400/613, 613.1-613.4, 690.1-690.4, 691-694
See application file for complete search history.

(56) **References Cited**

U.S. PATENT DOCUMENTS

D326,867 S	6/1992	Kwak	
D359,506 S	6/1995	Lee	
D378,218 S	2/1997	Hong et al.	
D431,597 S	* 10/2000	Gassett	D18/55
D456,445 S	* 4/2002	Kusanagi	D18/55
D463,484 S	* 9/2002	Kemmochi	D18/50
D477,632 S	* 7/2003	Todd	D18/55
D527,045 S	* 8/2006	Lim et al.	D18/50
D530,361 S	* 10/2006	Chambers	D18/50
D530,737 S	10/2006	Lim et al.	

D532,043 S	11/2006	Park et al.
D536,372 S	2/2007	Lim et al.
D551,700 S	9/2007	Park et al.
D552,170 S	10/2007	Kim et al.

OTHER PUBLICATIONS

U.S. Appl. No. 29/256,401, Applicant: Tae-Kung Park, et al., filed Mar. 20, 2006 entitled Laser Complex.
U.S. Appl. No. 29/261,029, Applicant: Seok-Won Bae, et al., filed Jun. 6, 2006 entitled Laser Printer.

* cited by examiner

Primary Examiner—Cathy Anne MacCormac

(74) *Attorney, Agent, or Firm*—Flynn, Thiel, Boutell & Tanis, P.C.

(57) **CLAIM**

The ornamental design for a color laser printer, as shown and described.

DESCRIPTION

FIG. 1 is a top front perspective view of a color laser printer showing our new design;

FIG. 2 is a front elevational view thereof;

FIG. 3 is a rear elevational view thereof;

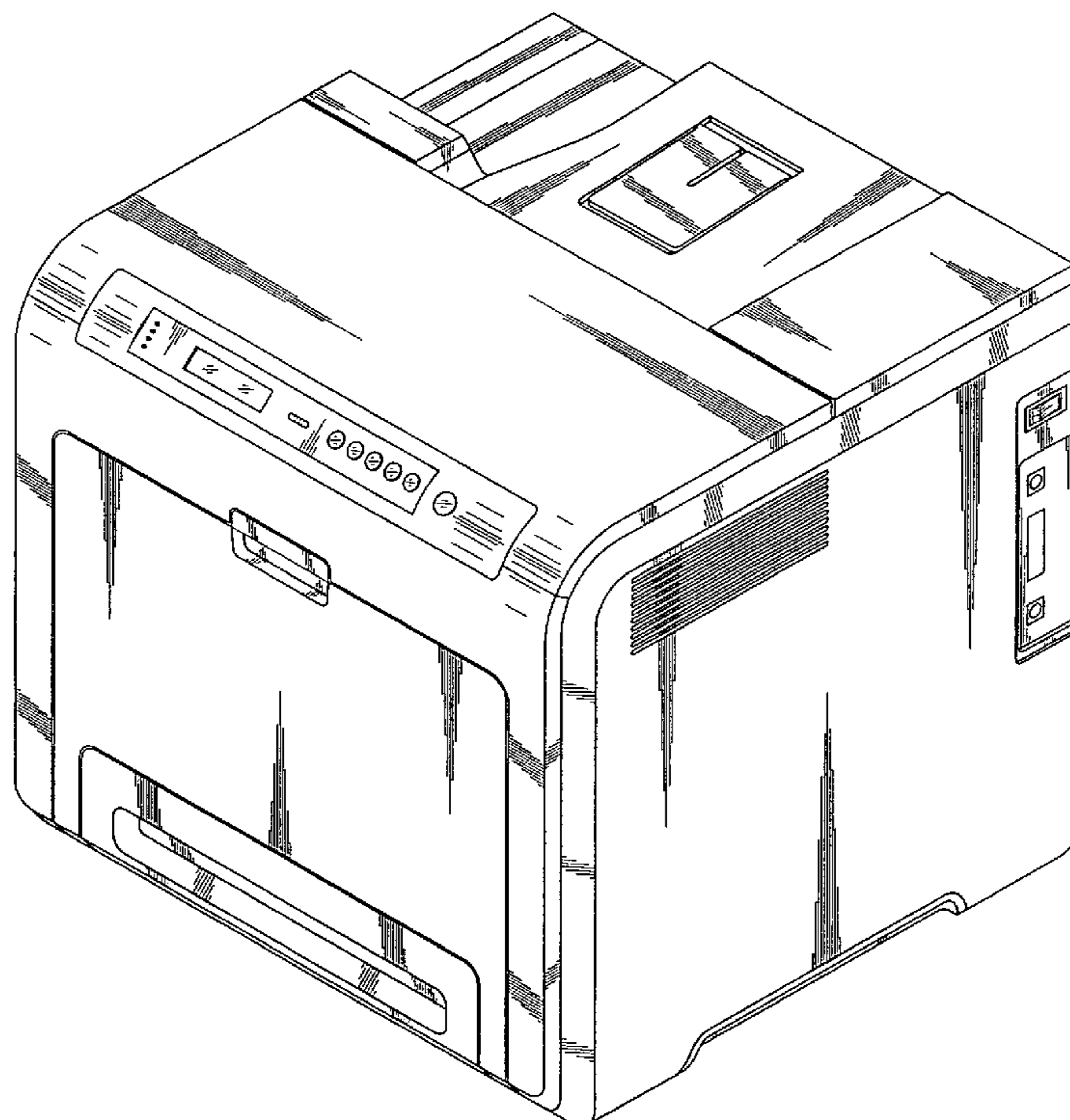
FIG. 4 is a left side elevational view thereof;

FIG. 5 is a right side elevational view thereof;

FIG. 6 is a top plan view thereof; and,

FIG. 7 is a bottom plan view thereof.

1 Claim, 4 Drawing Sheets



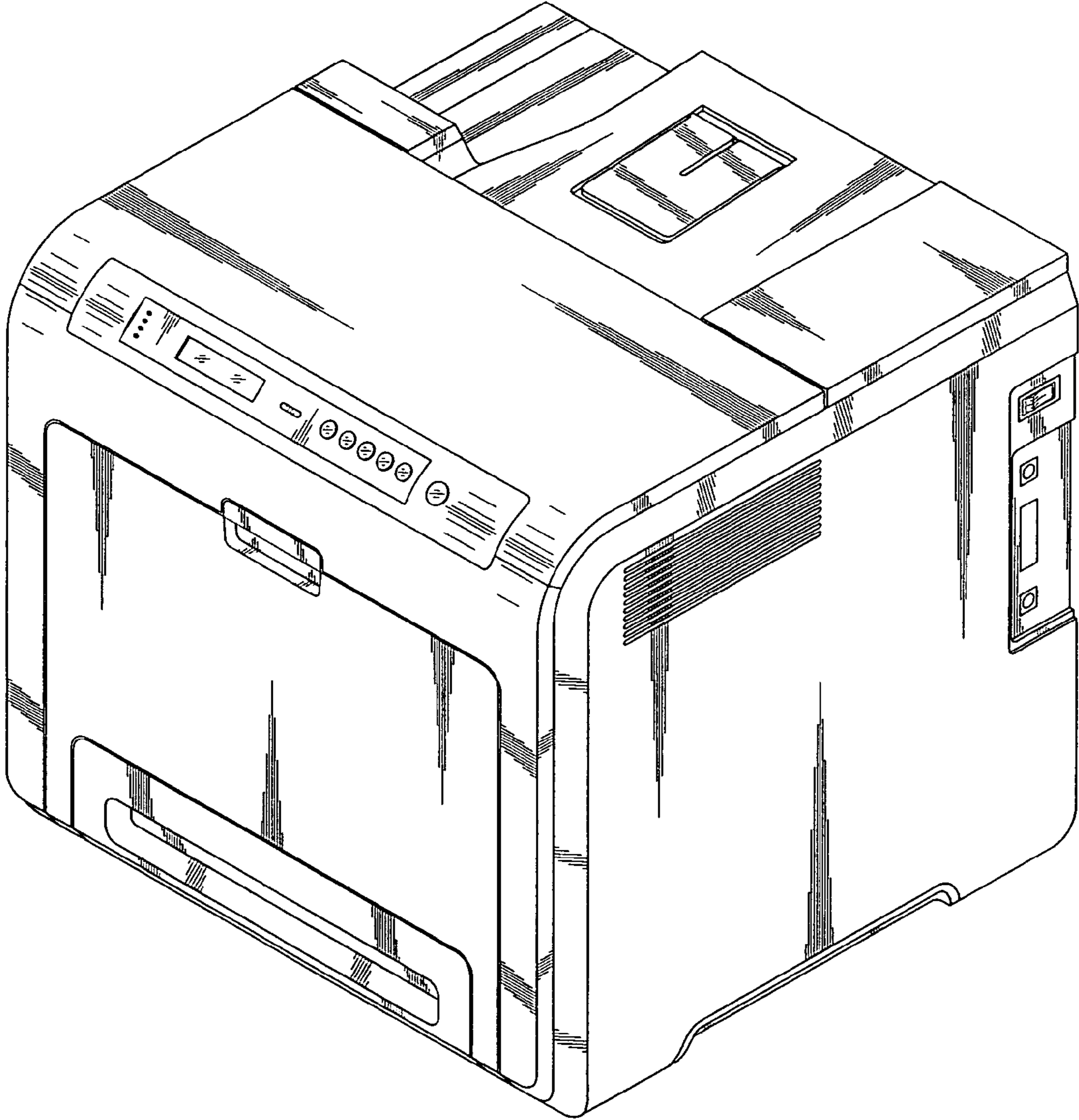


FIG. 1

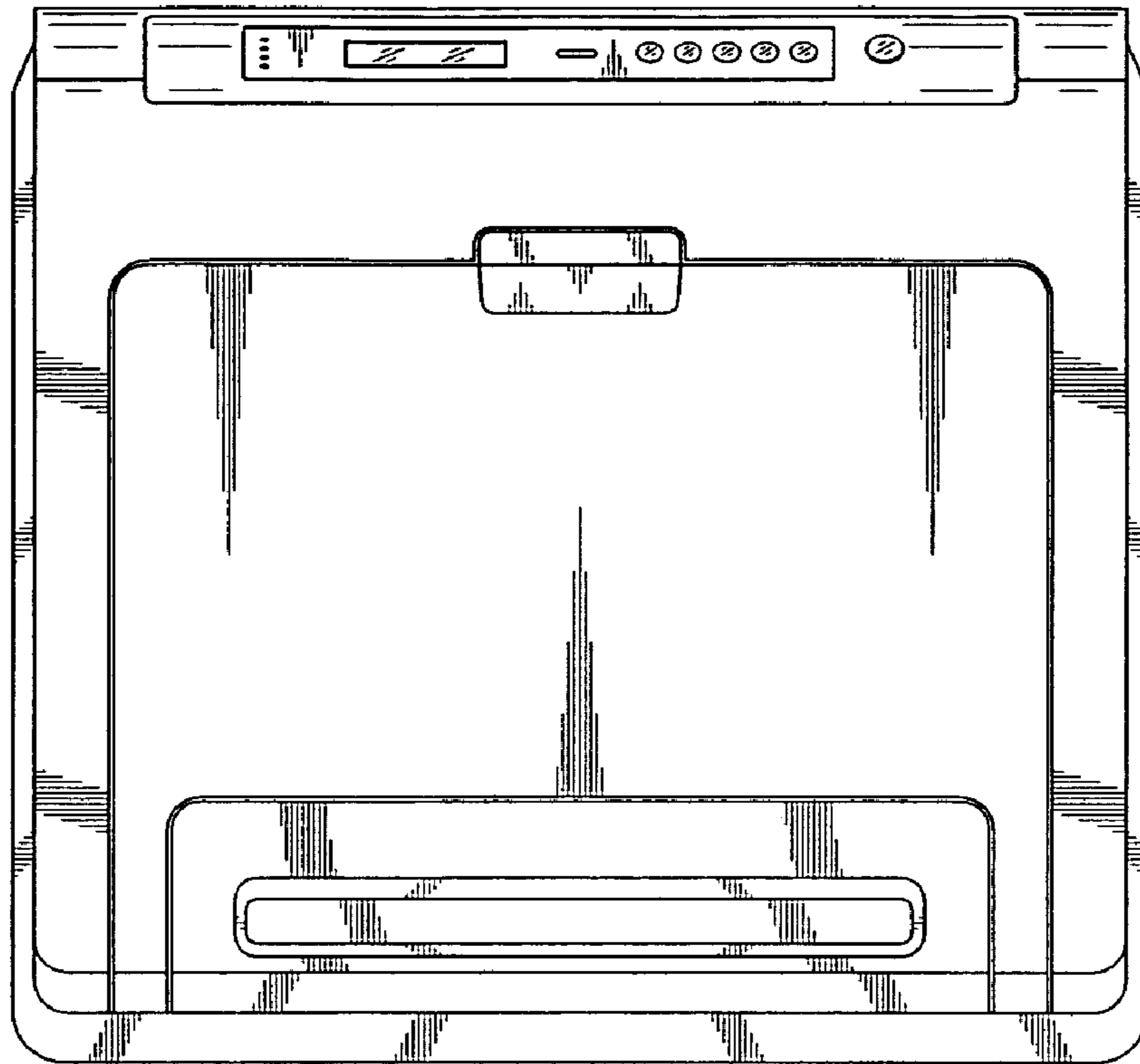


FIG. 2

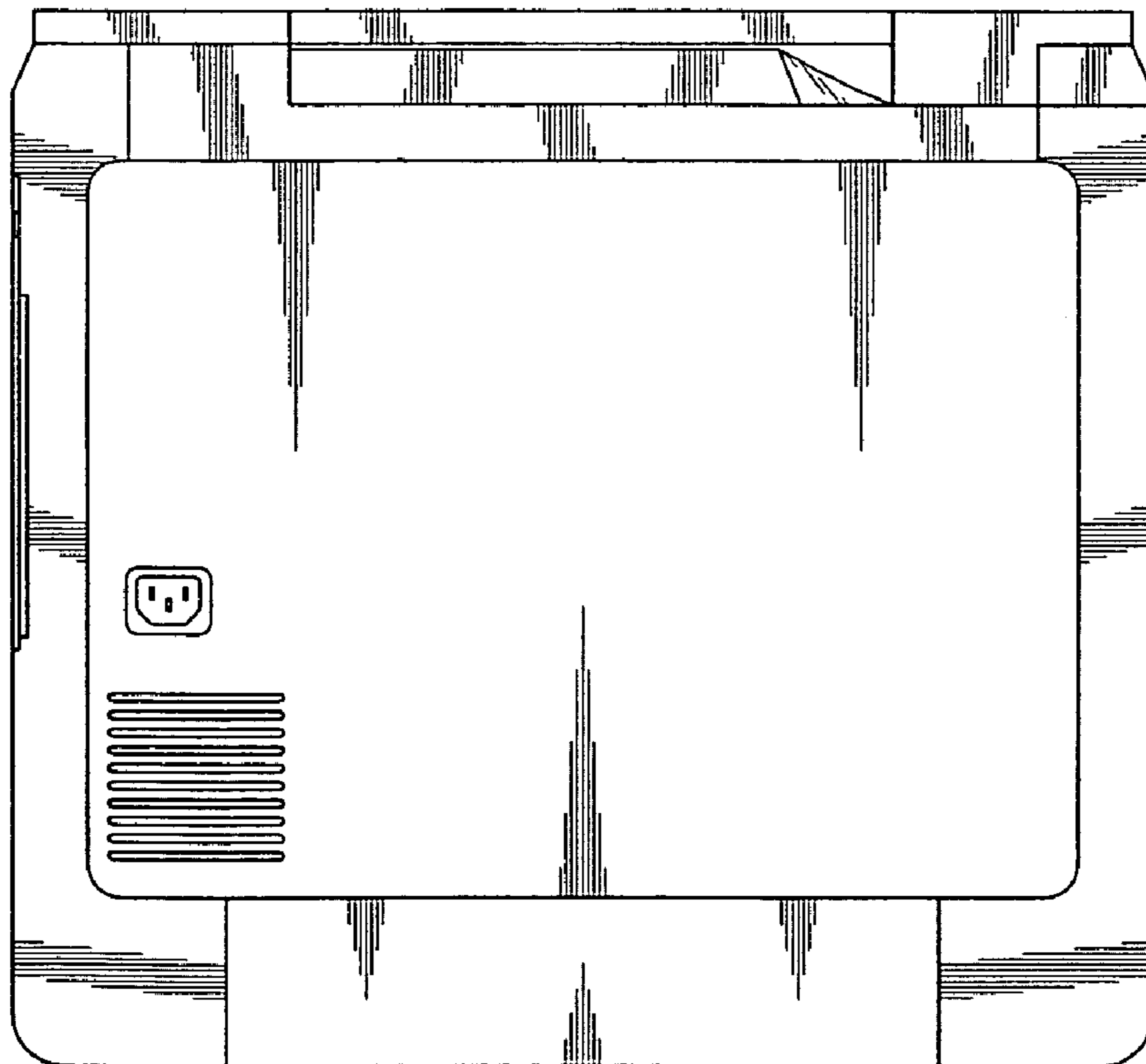


FIG. 3

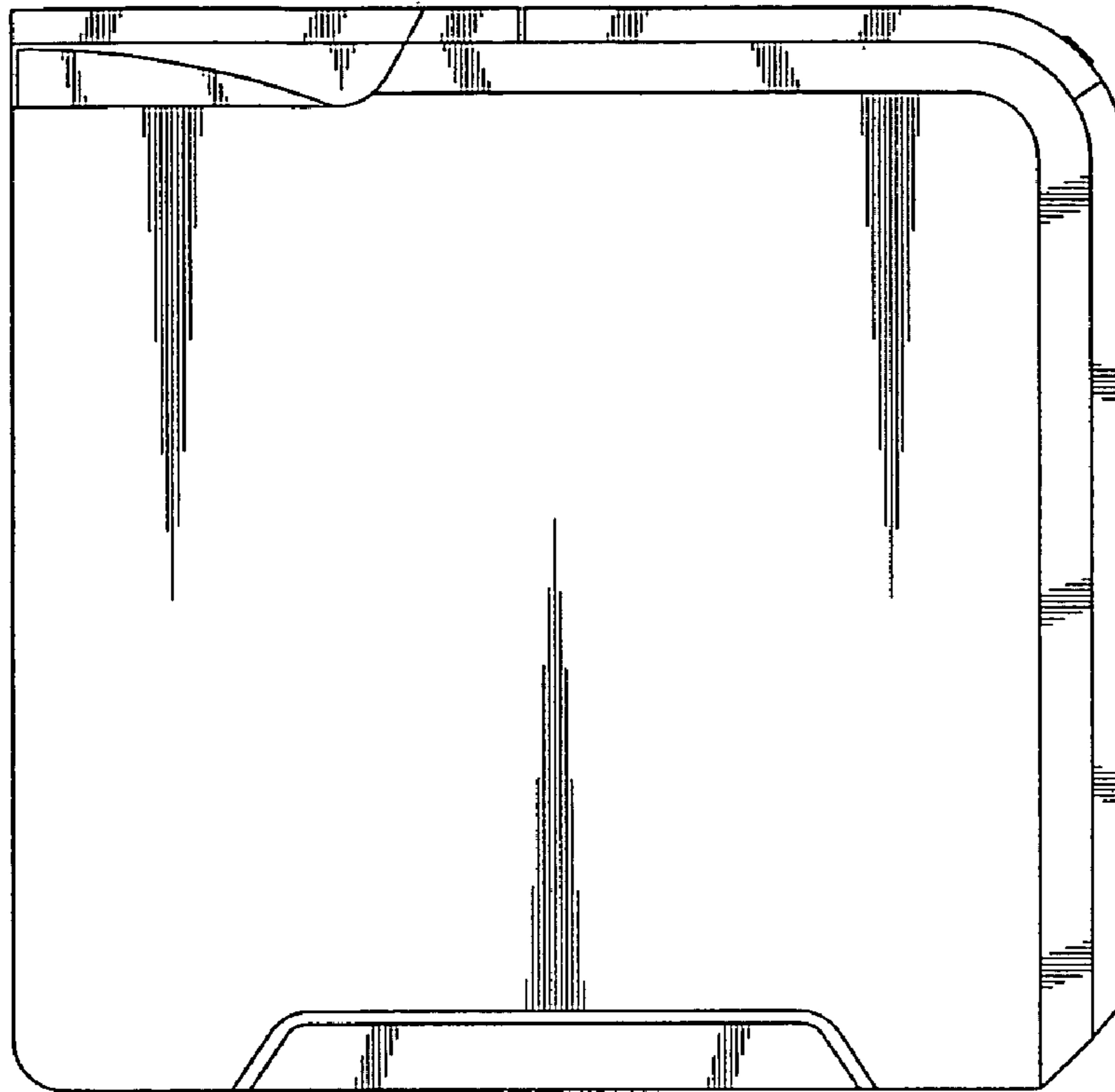


FIG. 4

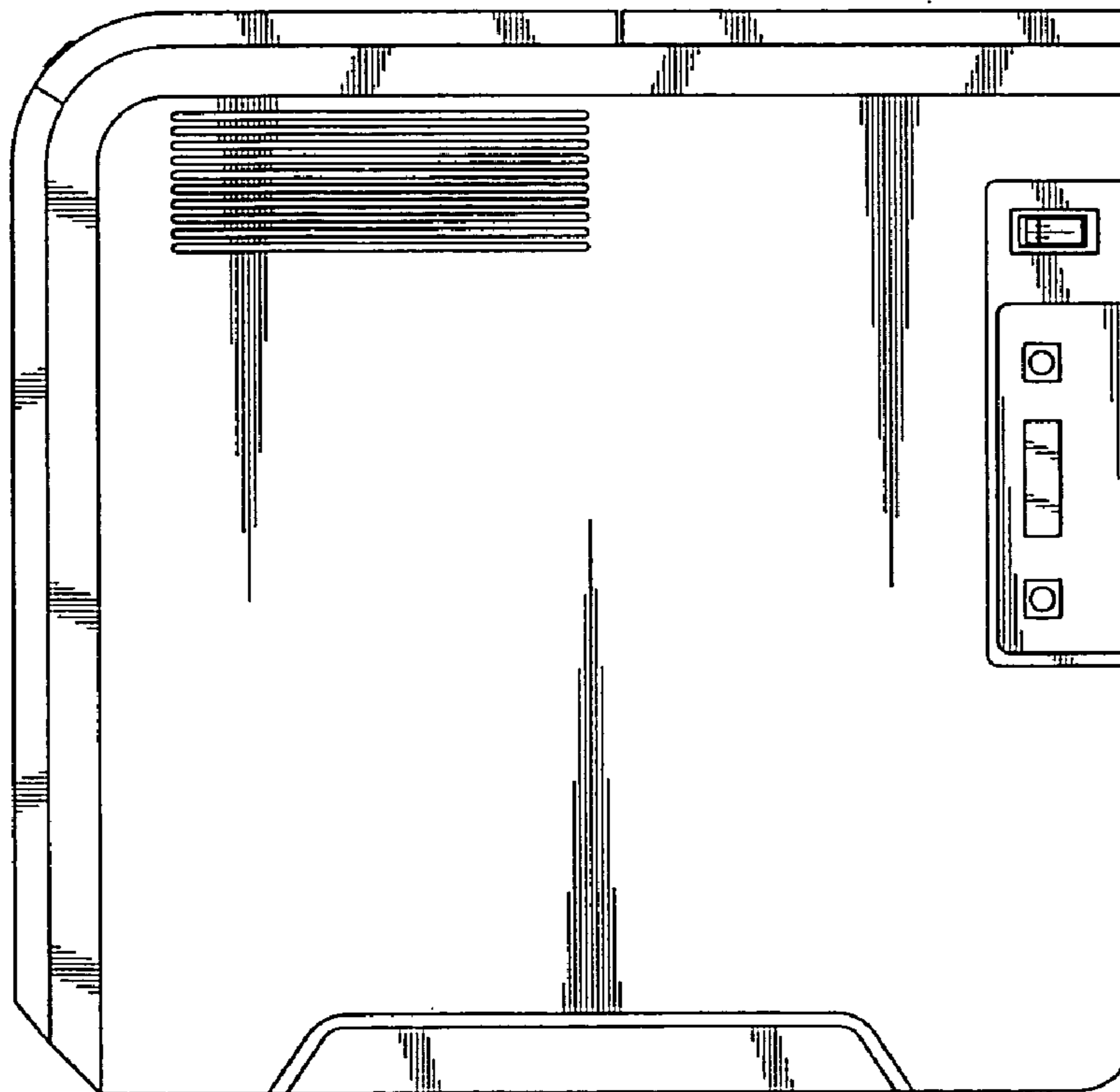


FIG. 5

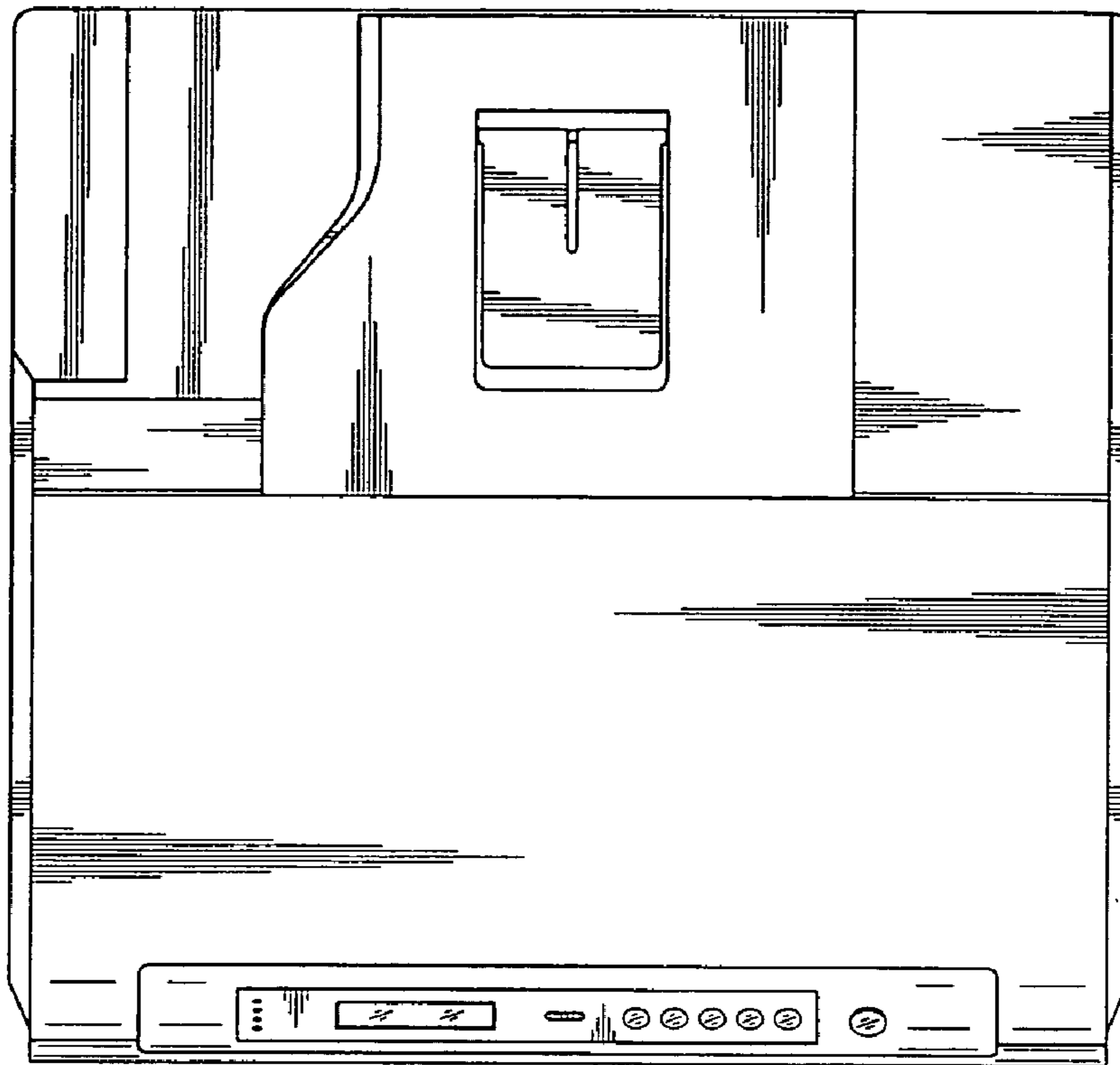


FIG. 6

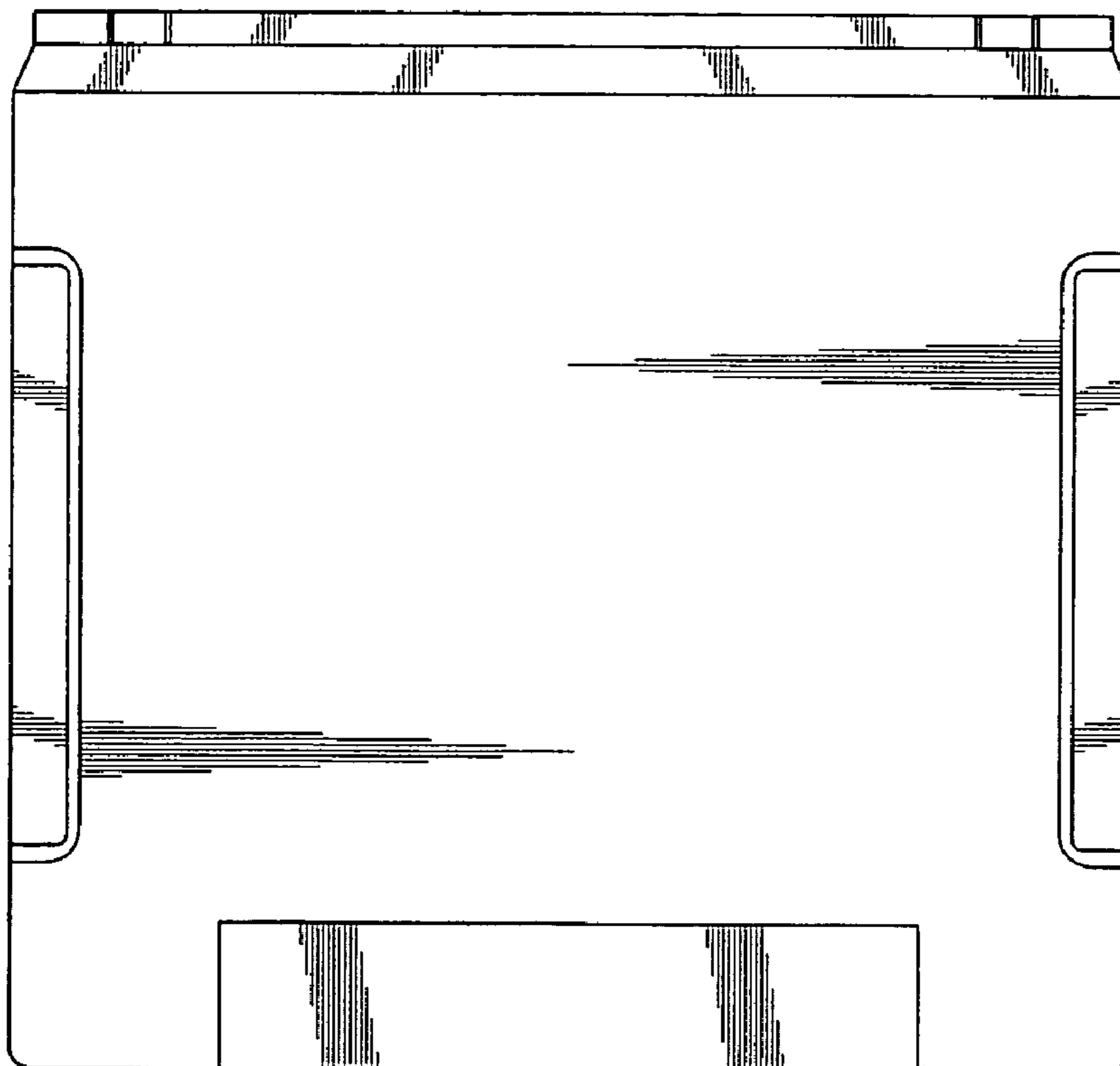


FIG. 7