

US00D561247S

(12) **United States Design Patent**  
**Morishita**

(10) **Patent No.:** **US D561,247 S**

(45) **Date of Patent:** **\*\* Feb. 5, 2008**

(54) **LASER PRINTER**

D515,132 S \* 2/2006 Todd ..... D18/55  
D528,594 S \* 9/2006 Terenzio et al. .... D18/50

(75) Inventor: **Yasuhiro Morishita**, Tokyo (JP)

\* cited by examiner

(73) Assignee: **Canon Kabushiki Kaisha**, Tokyo (JP)

*Primary Examiner*—Cathy Anne MacCormac

(\*\*) Term: **14 Years**

(74) *Attorney, Agent, or Firm*—Fitzpatrick, Cella, Harper & Scinto

(21) Appl. No.: **29/250,039**

(22) Filed: **Oct. 31, 2006**

(57) **CLAIM**

(30) **Foreign Application Priority Data**

The ornamental design for a laser printer, as shown and described.

Jun. 23, 2006 (JP) ..... 2006-016284

**DESCRIPTION**

(51) **LOC (8) Cl.** ..... **14-02**

FIG. 1 is a front view of a laser printer showing my new design;

(52) **U.S. Cl.** ..... **D18/50**

FIG. 2 is a rear view thereof;

(58) **Field of Classification Search** ..... D18/36-39,

FIG. 3 is a top plan view thereof;

D18/50, 54, 54.1, 55; D14/420-425, 462-470;

FIG. 4 is a bottom plan view thereof;

400/613, 613.1-613.4, 690.1-690.4, 691-694

FIG. 5 is a left side view thereof;

See application file for complete search history.

FIG. 6 is a right side view thereof; and,

FIG. 7 is a perspective view thereof.

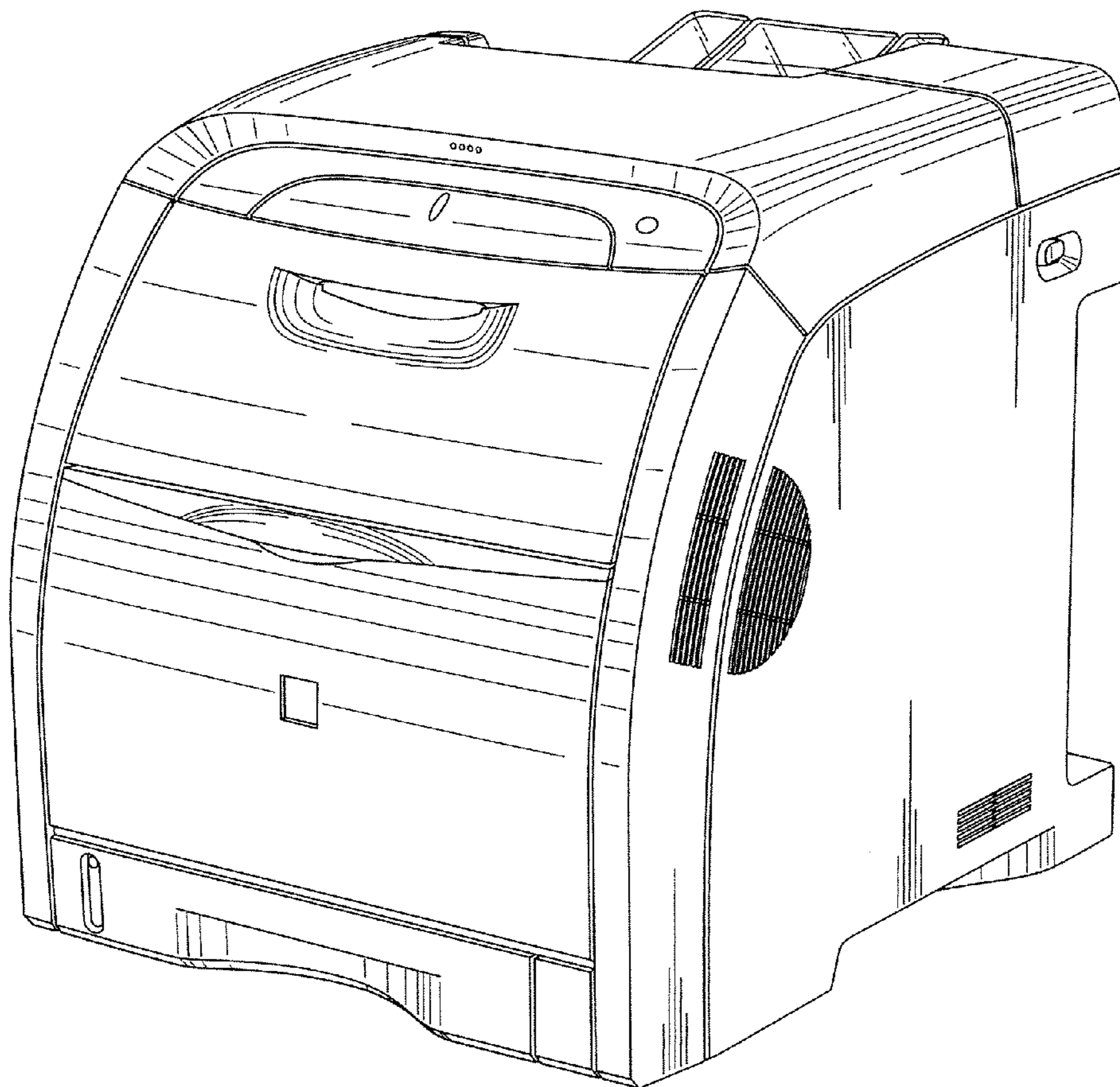
(56) **References Cited**

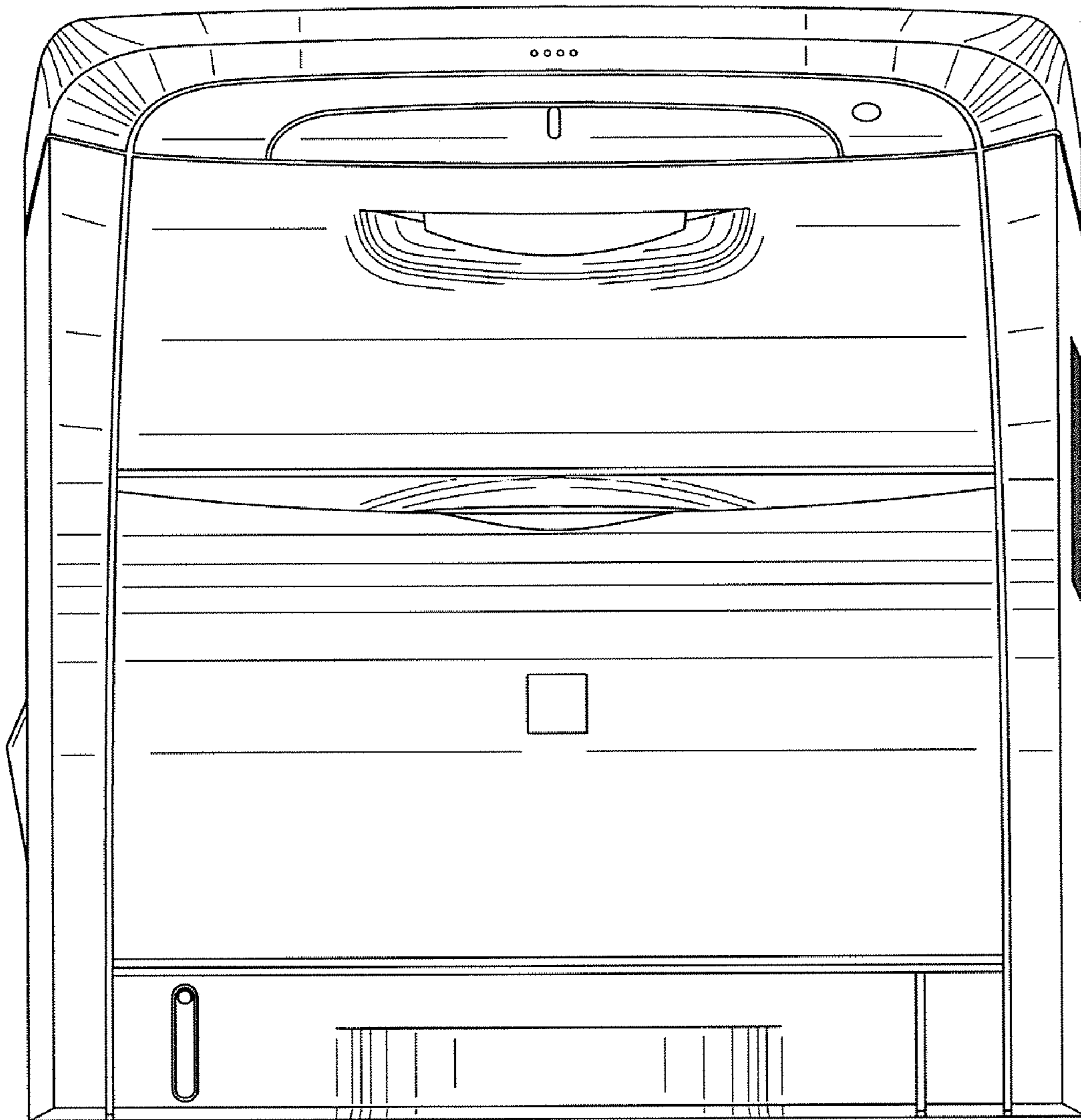
**U.S. PATENT DOCUMENTS**

D439,275 S \* 3/2001 Ohashi ..... D18/55

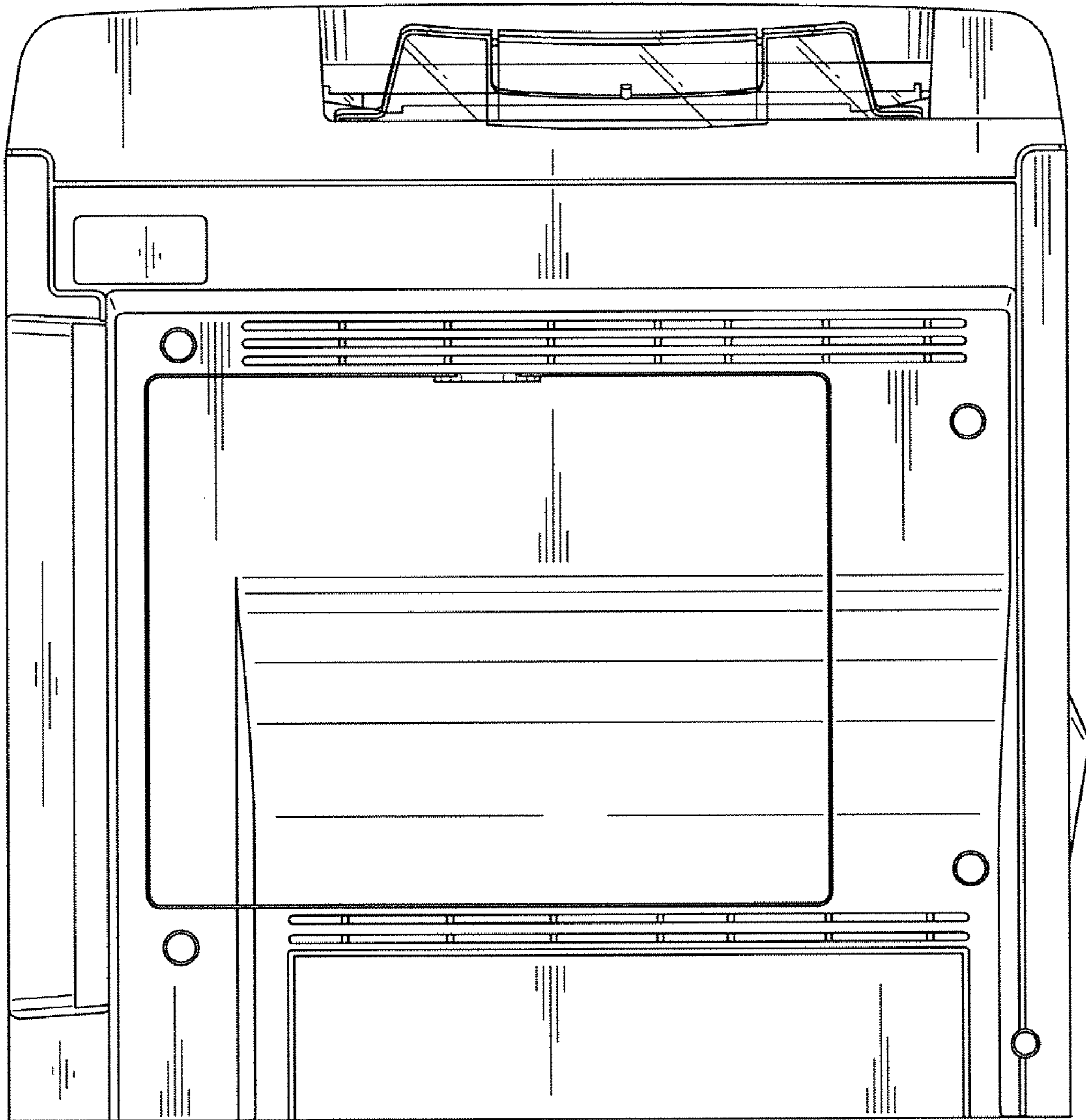
D474,501 S \* 5/2003 Hayashi ..... D18/55

**1 Claim, 7 Drawing Sheets**

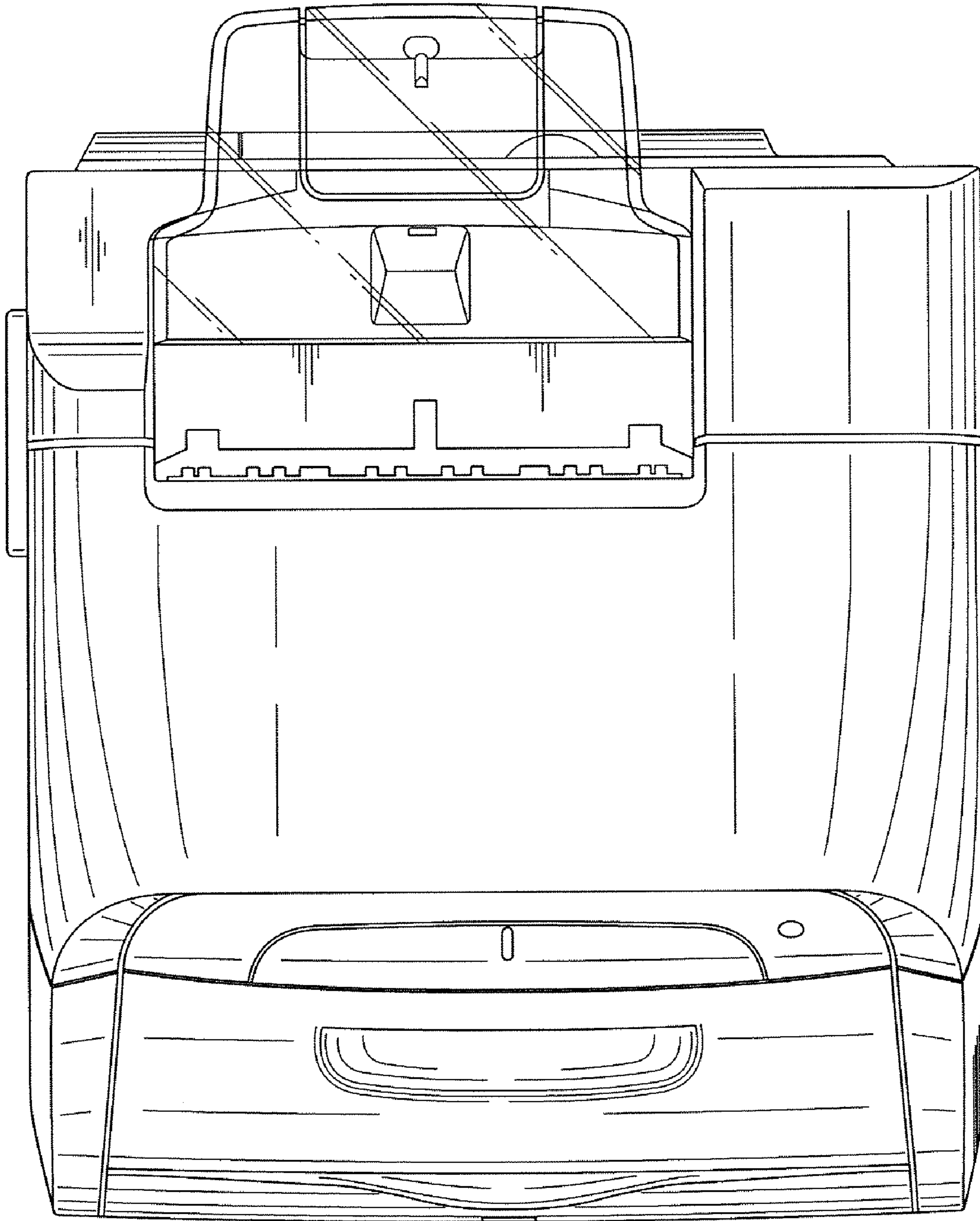




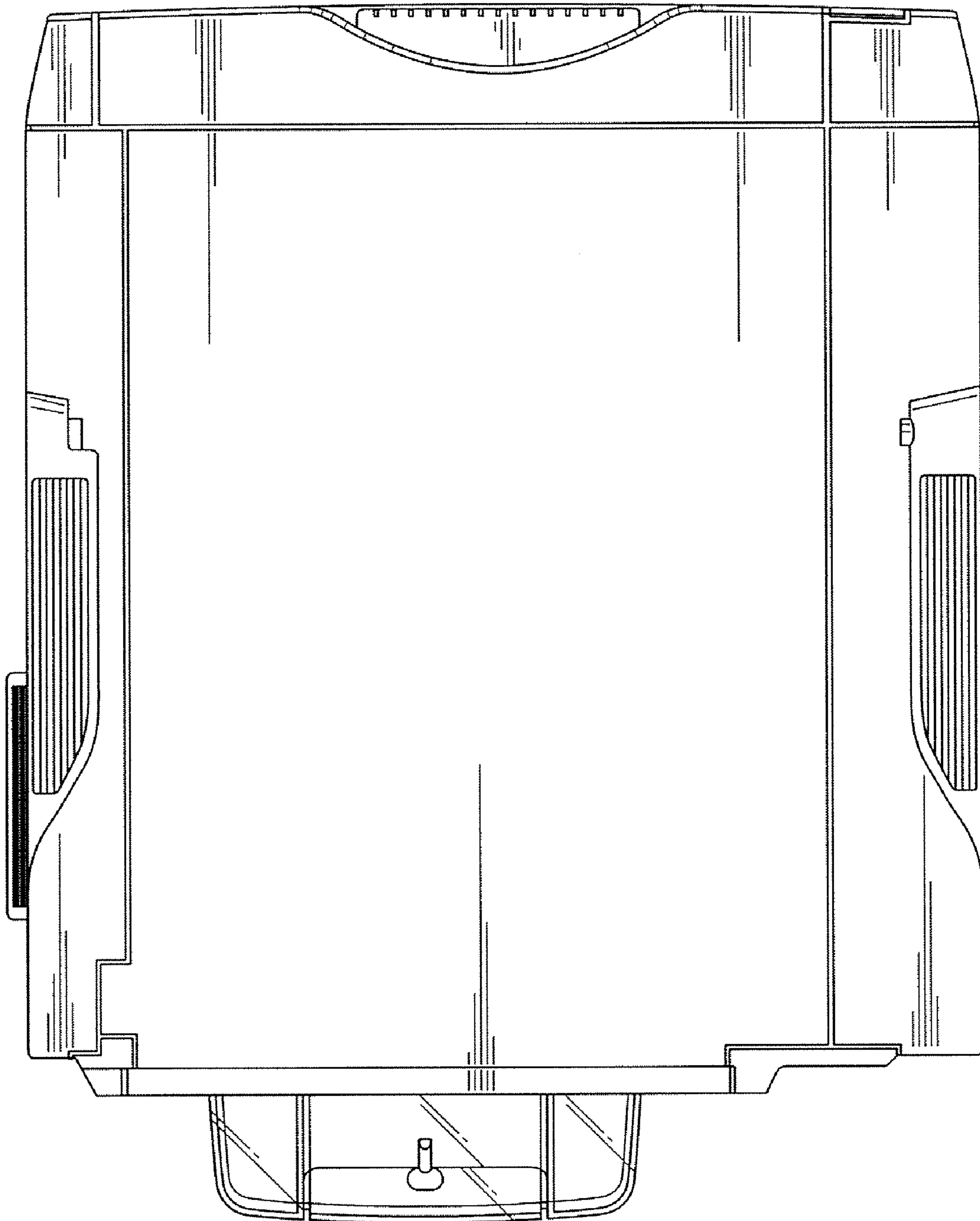
*FIG. 1*



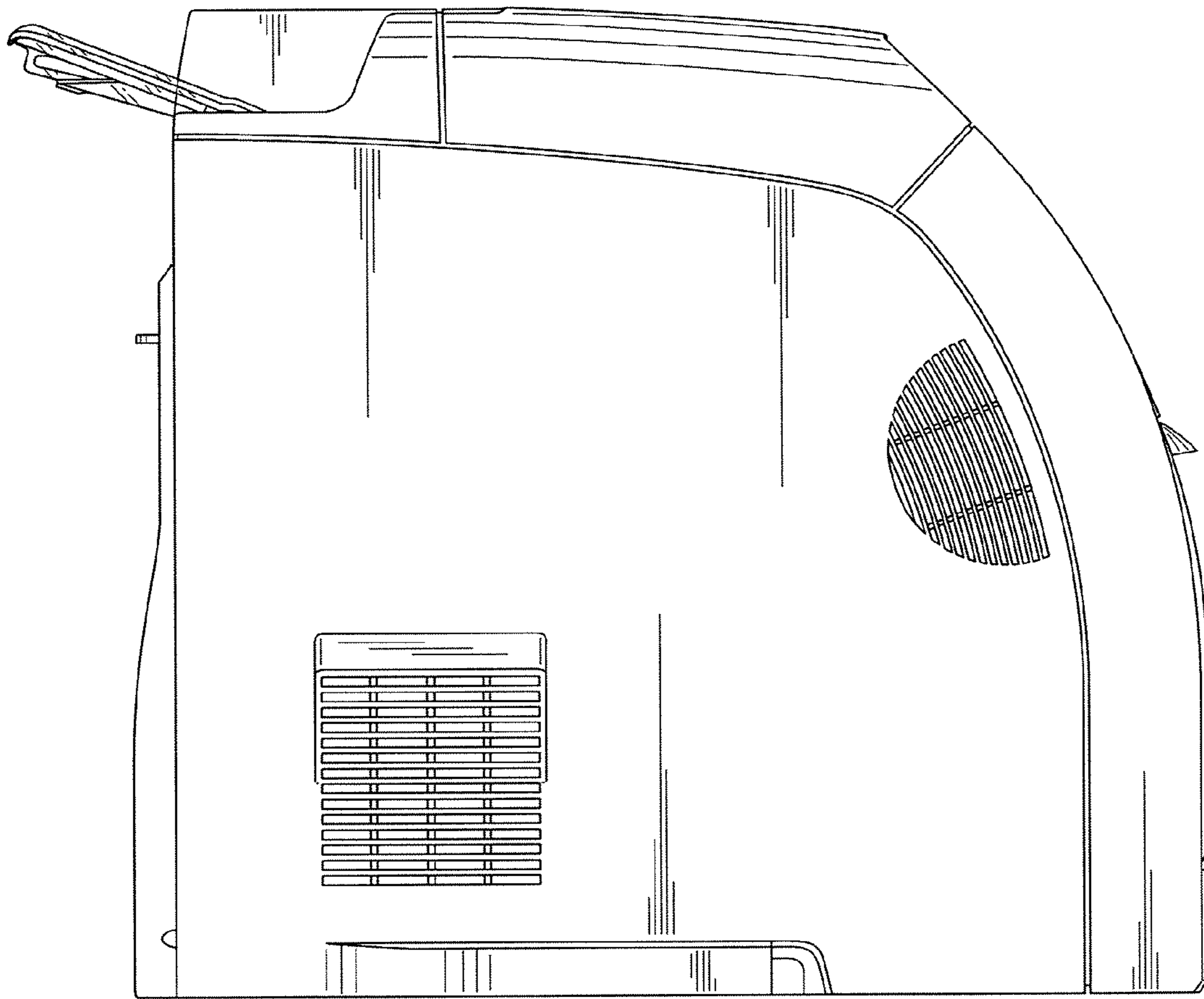
*FIG. 2*



*FIG. 3*



*FIG. 4*



*FIG. 5*

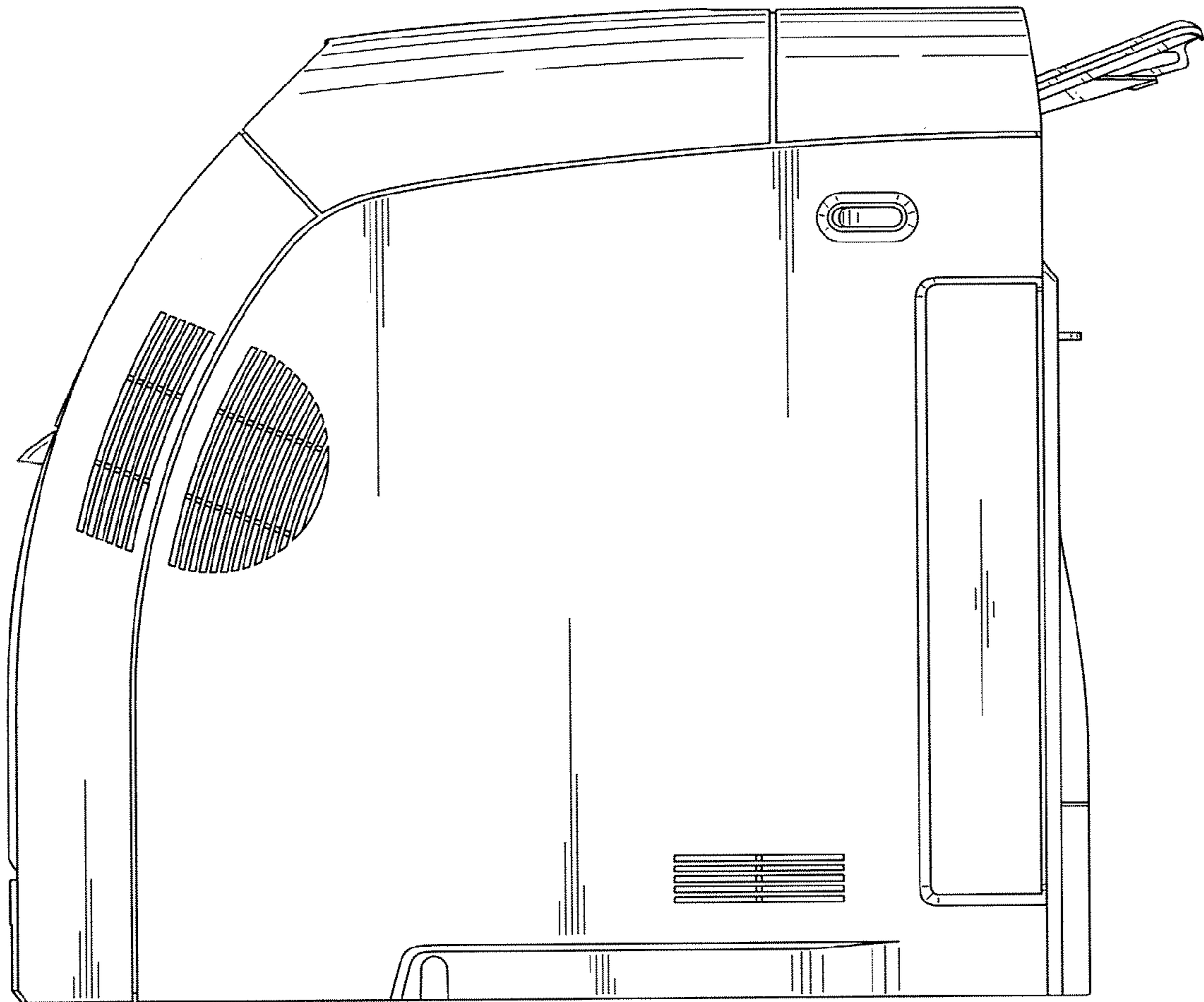


FIG. 6

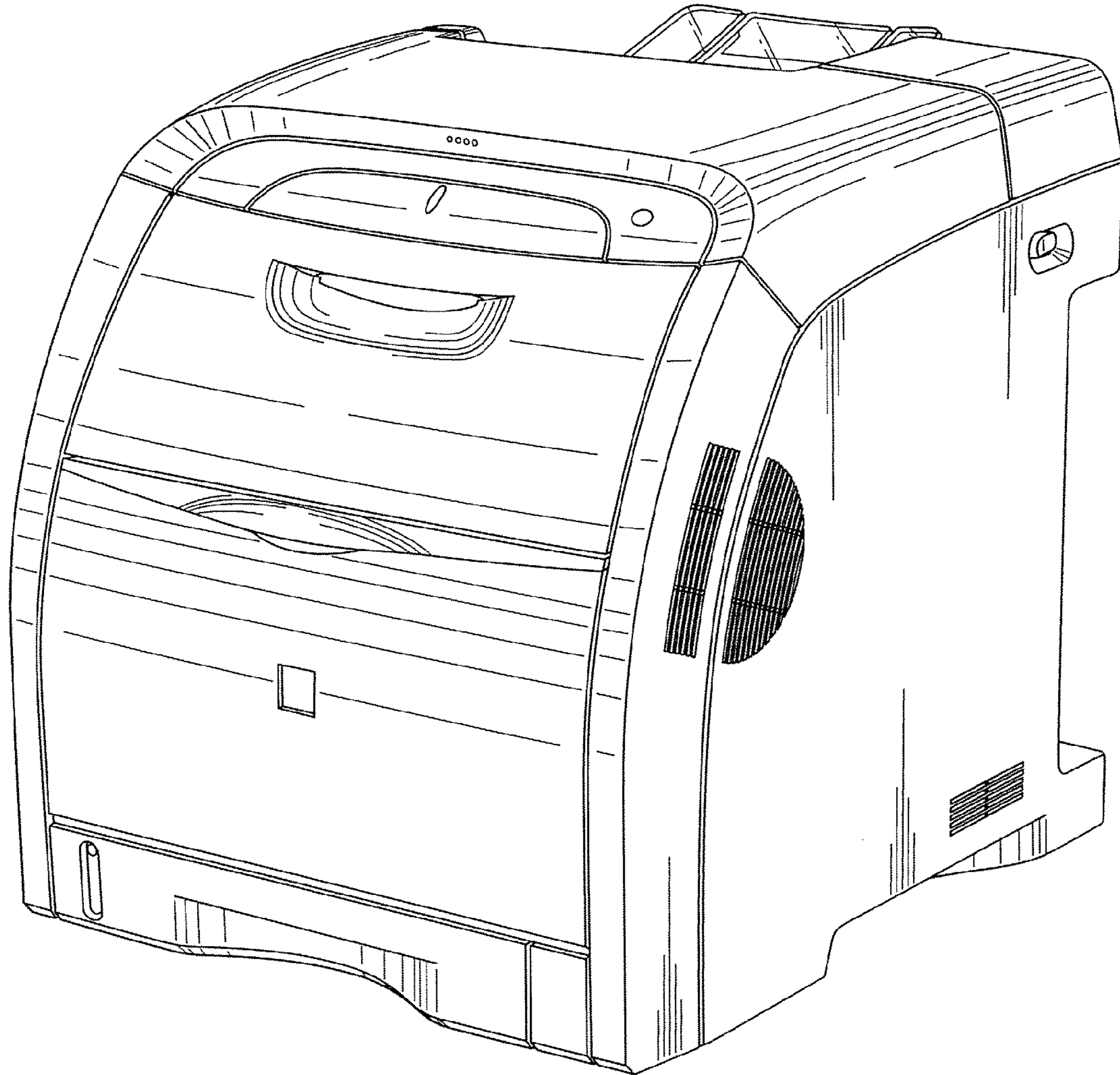


FIG. 7