



US00D561246S

(12) **United States Design Patent**
Matsuda et al.

(10) **Patent No.:** **US D561,246 S**
(45) **Date of Patent:** **** Feb. 5, 2008**

(54) **ELECTRONIC CALCULATOR**
(75) Inventors: **Makoto Matsuda**, Tokyo (JP); **Junichi Ono**, Higashikurume (JP)
(73) Assignee: **Casio Keisanki Kabushiki Kaisha**, Tokyo (JP)
(**) Term: **14 Years**
(21) Appl. No.: **29/273,288**
(22) Filed: **Mar. 1, 2007**

(30) **Foreign Application Priority Data**
Dec. 27, 2006 (JP) 2006-035976

(51) **LOC (8) Cl.** **18-01**
(52) **U.S. Cl.** **D18/7; D14/347**
(58) **Field of Classification Search** D14/191, D14/218, 341-347, 383, 387, 388; D18/1, D18/2, 4.4, 4.5, 6-12, 12.1, 12.2, 12.3; D21/512; 235/58 R, 59 A, 59 BC, 59 BD, 59 BE, 235/59 BF, 59 BG, 59 BH, 39 CP, 59 T, 235/59 TP, 61 R; 708/100, 105, 130
See application file for complete search history.

(56) **References Cited**
U.S. PATENT DOCUMENTS

D310,543 S * 9/1990 Brown D18/7
D351,853 S * 10/1994 Ido D14/345
D362,865 S * 10/1995 Komuta et al. D18/7
D368,702 S * 4/1996 Shimizu D18/7
D377,043 S * 12/1996 Takahata D14/345

D388,456 S * 12/1997 Takahata et al. D18/7
D398,331 S * 9/1998 Ono D14/345
D402,967 S * 12/1998 Hanafsa et al. D18/7
6,798,649 B1 * 9/2004 Olodort et al. 235/61 R

* cited by examiner

Primary Examiner—Robert M. Spear
Assistant Examiner—Garth Rademaker
(74) *Attorney, Agent, or Firm*—Frishauf, Holtz, Goodman & Chick, P.C.

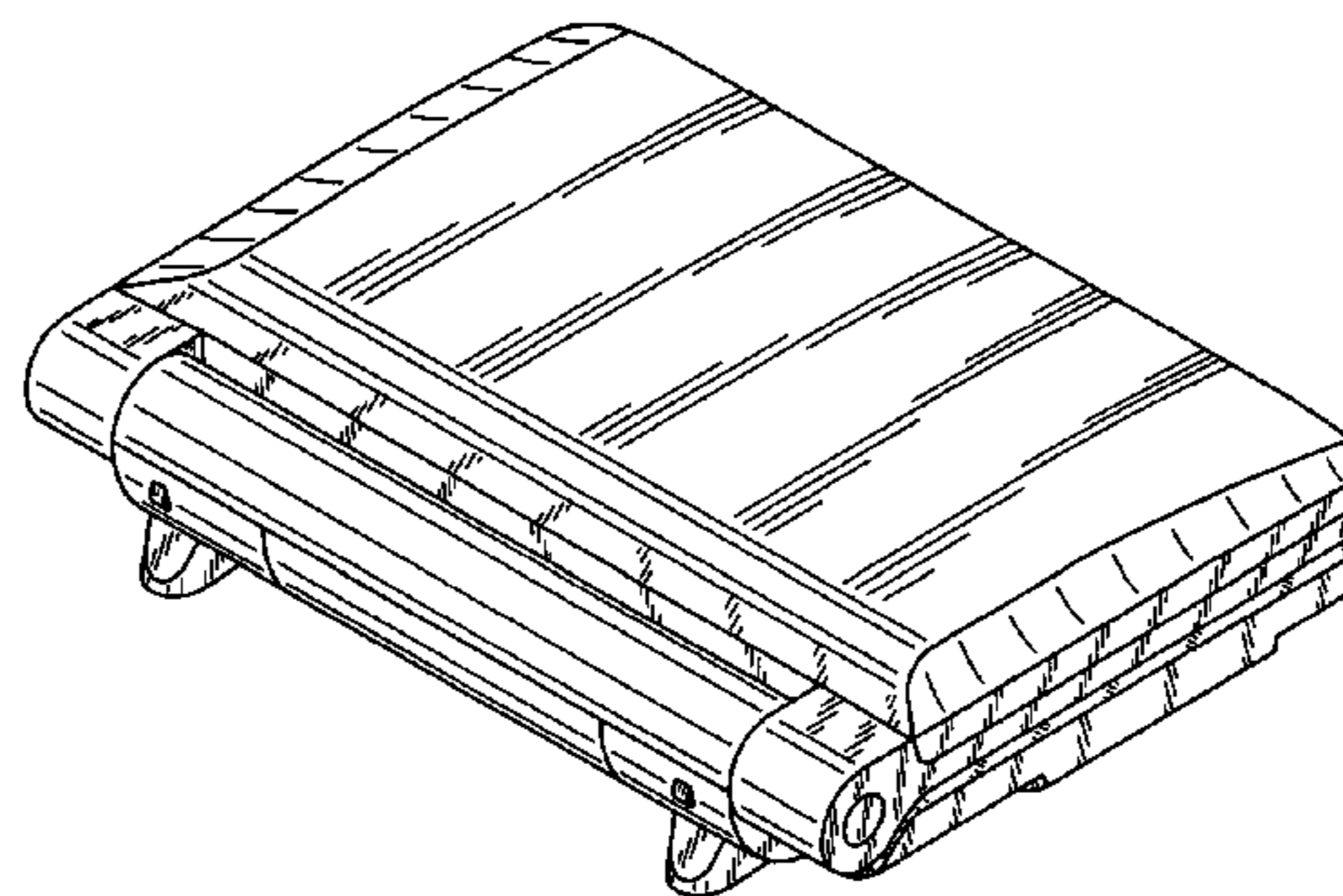
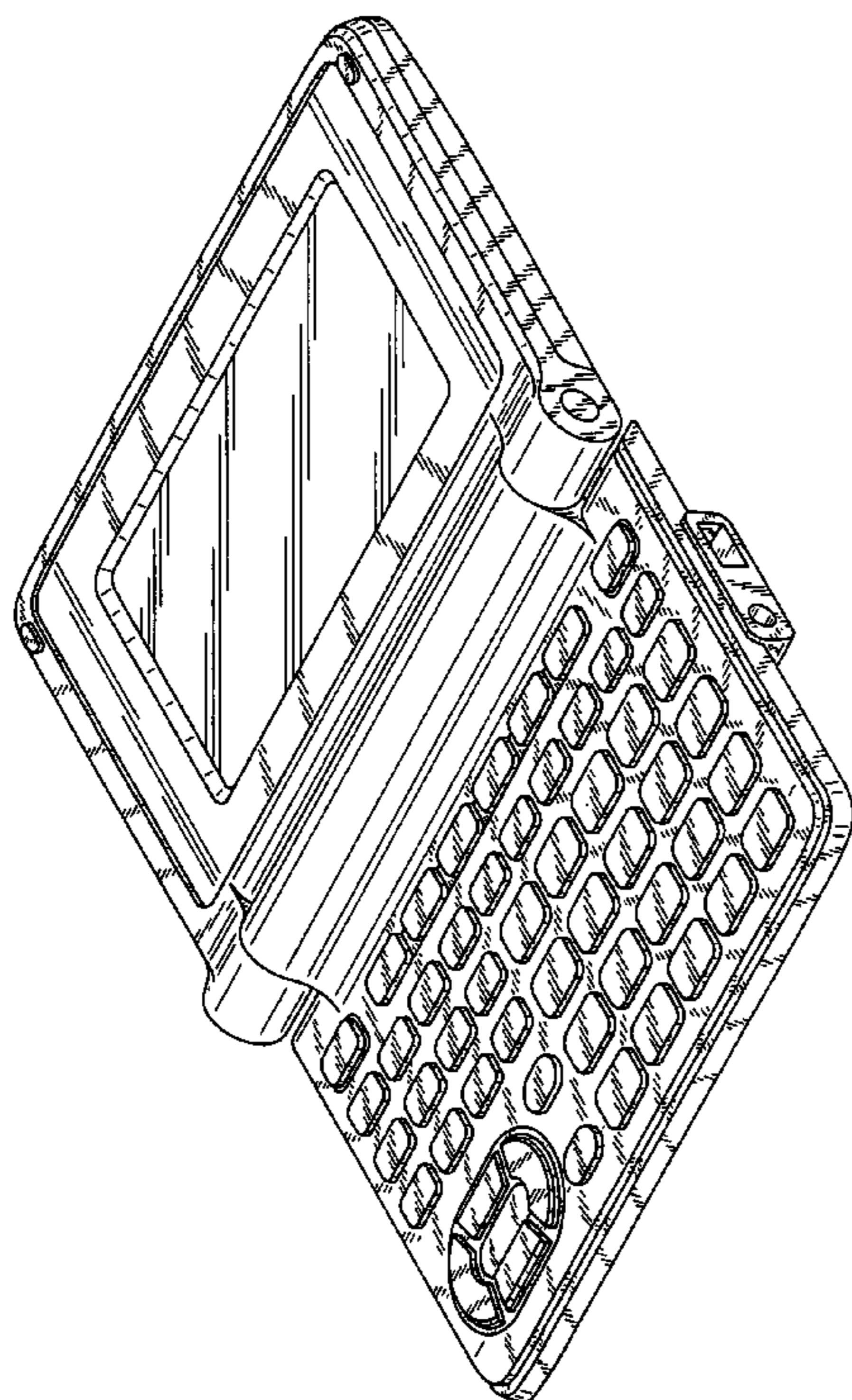
(57) **CLAIM**

The ornamental design for an electronic calculator, as shown and described.

DESCRIPTION

FIG. 1 is a front, right side, bottom perspective view of an electronic calculator showing our new design;
FIG. 2 is a front elevational view thereof;
FIG. 3 is a rear elevational view thereof;
FIG. 4 is a left side view thereof;
FIG. 5 is a right side view thereof;
FIG. 6 is a top plan view thereof;
FIG. 7 is a bottom plan view thereof;
FIG. 8 is a front, right side, bottom perspective view thereof shown in the closed position, and,
FIG. 9 is a front, left side, top perspective view thereof shown in the closed position.

1 Claim, 7 Drawing Sheets



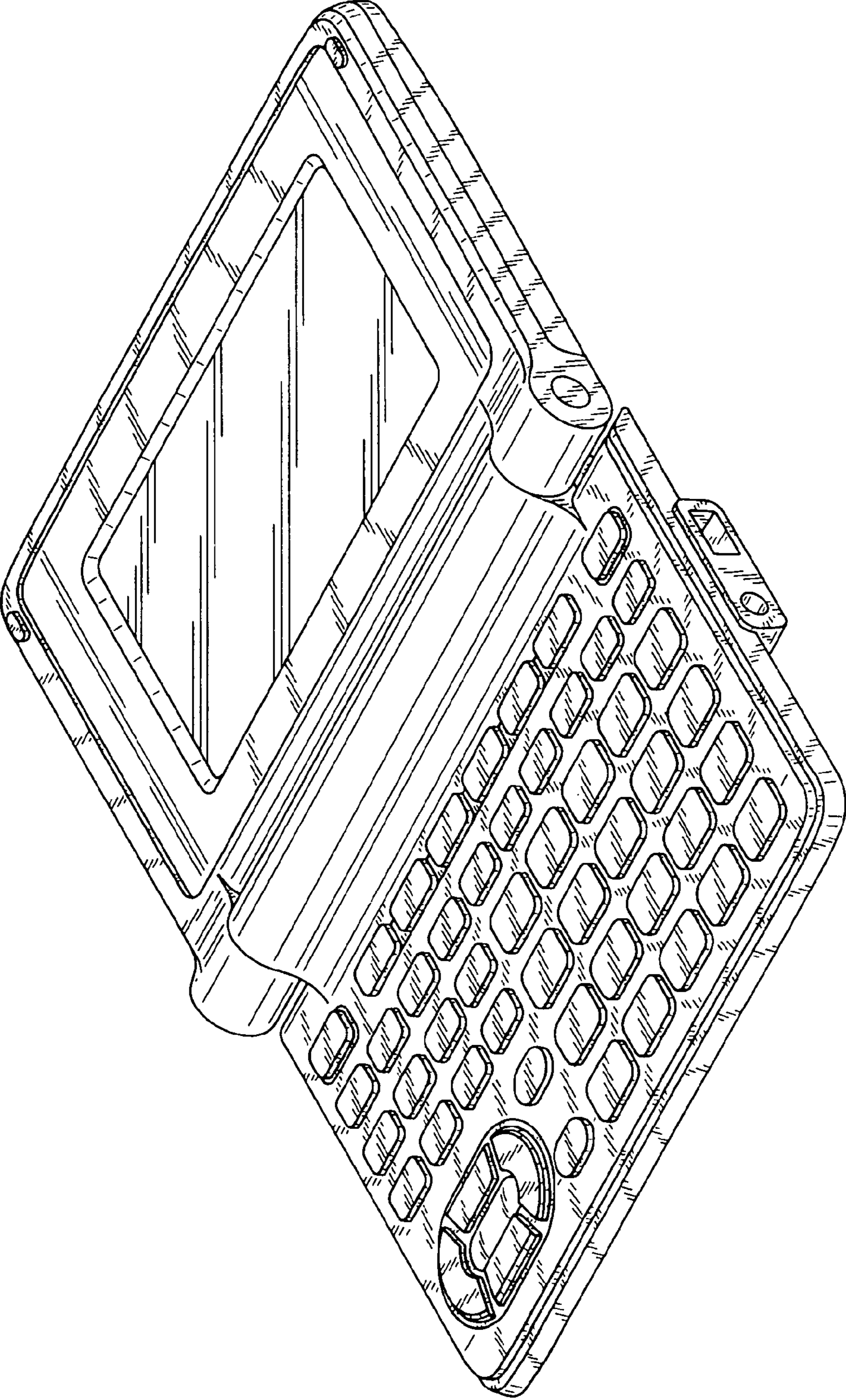


FIG. 1

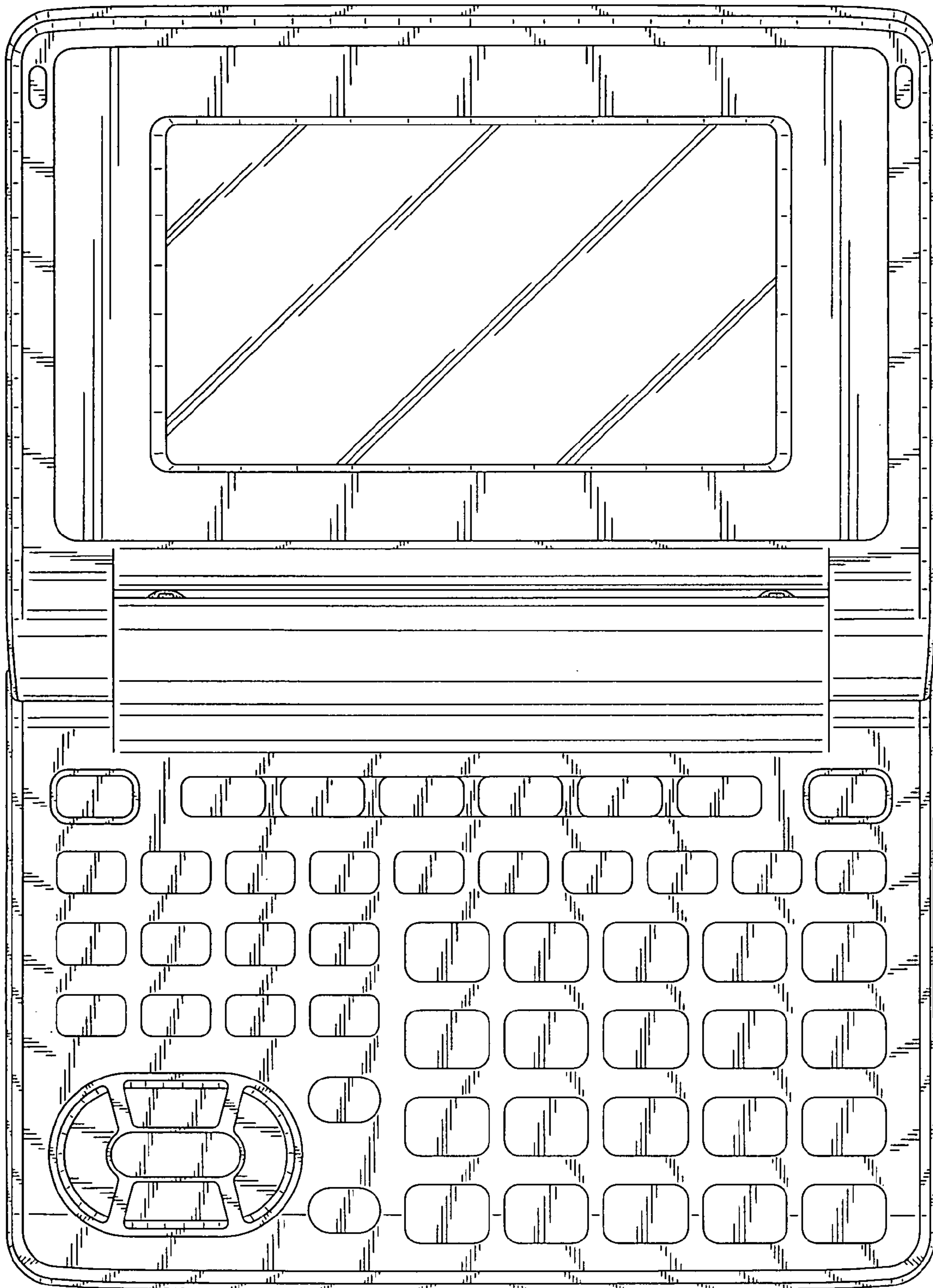


FIG. 2

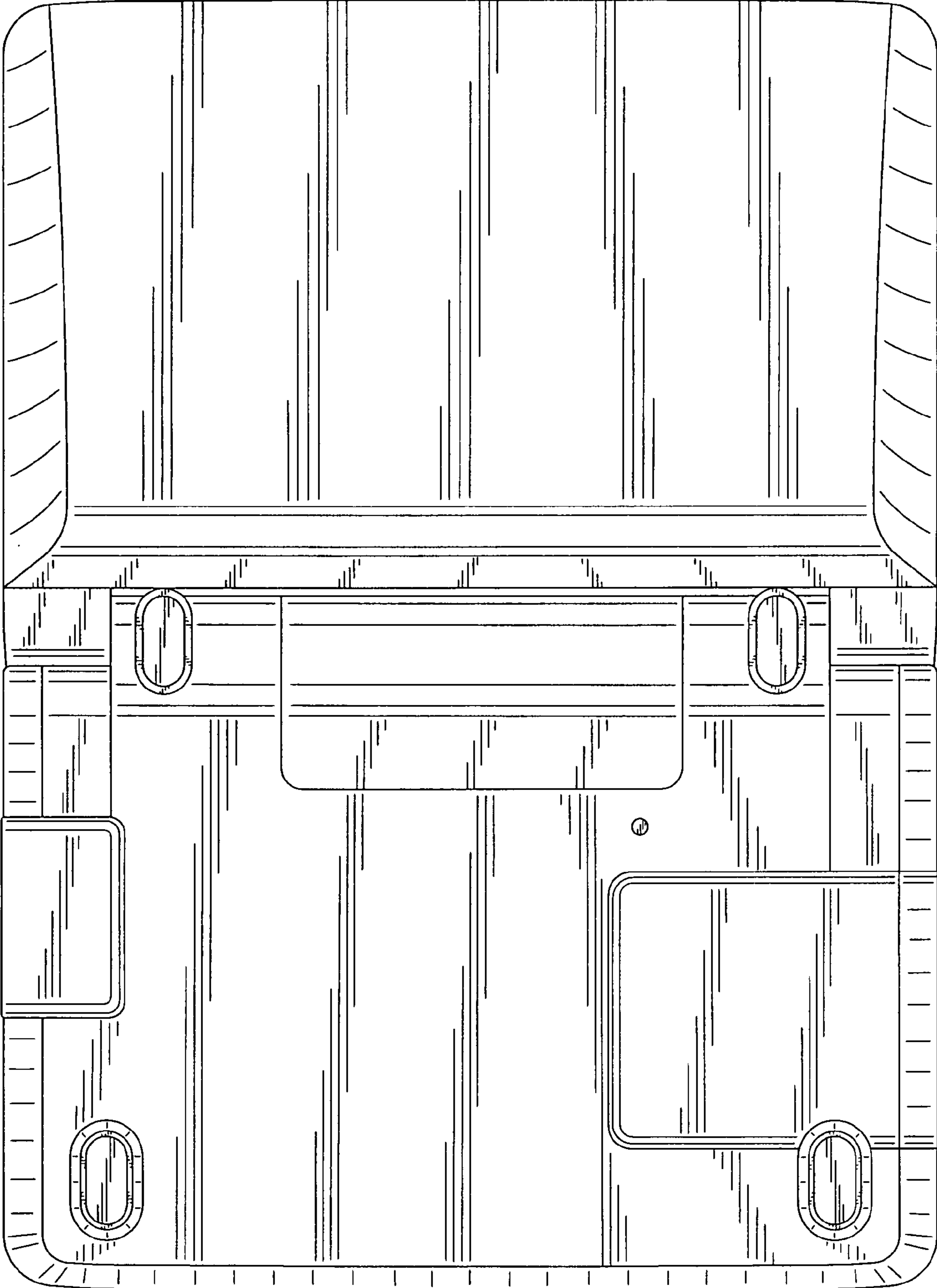


FIG. 3

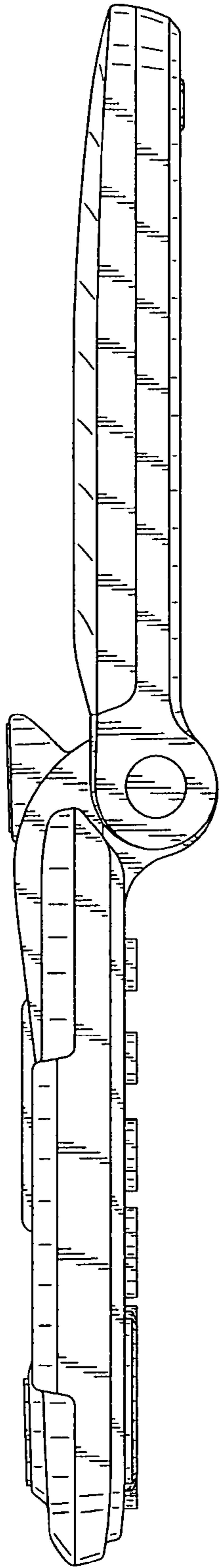


FIG. 4

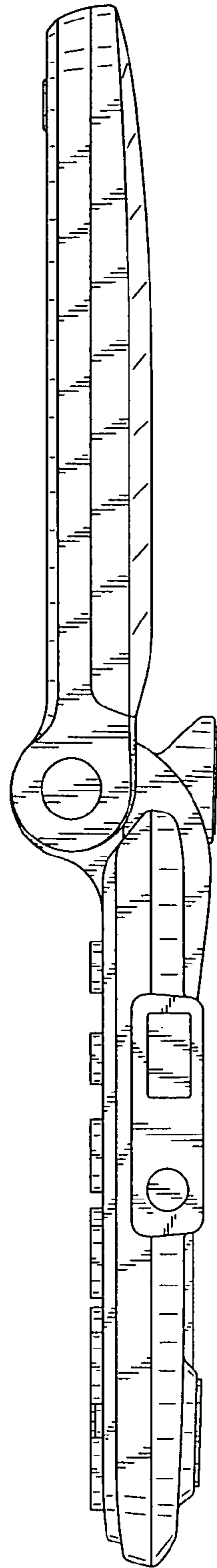


FIG. 5

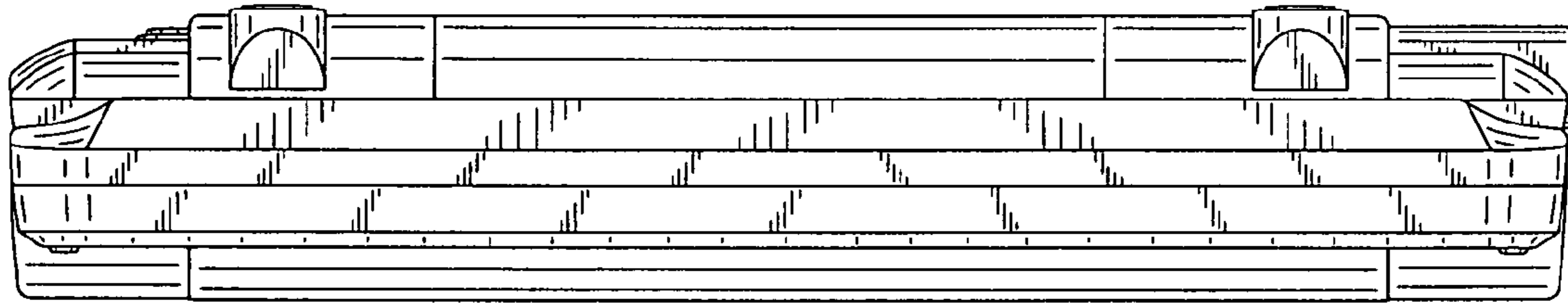


FIG. 6

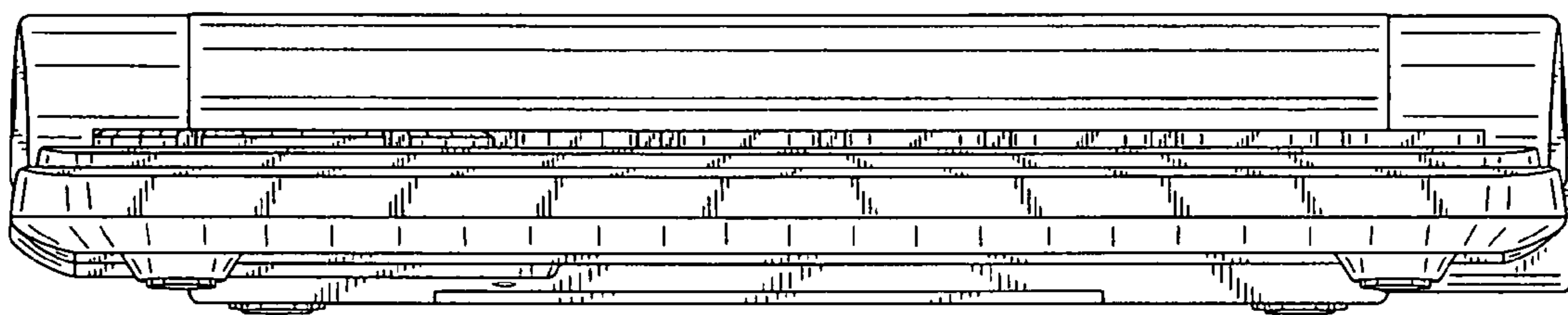


FIG. 7

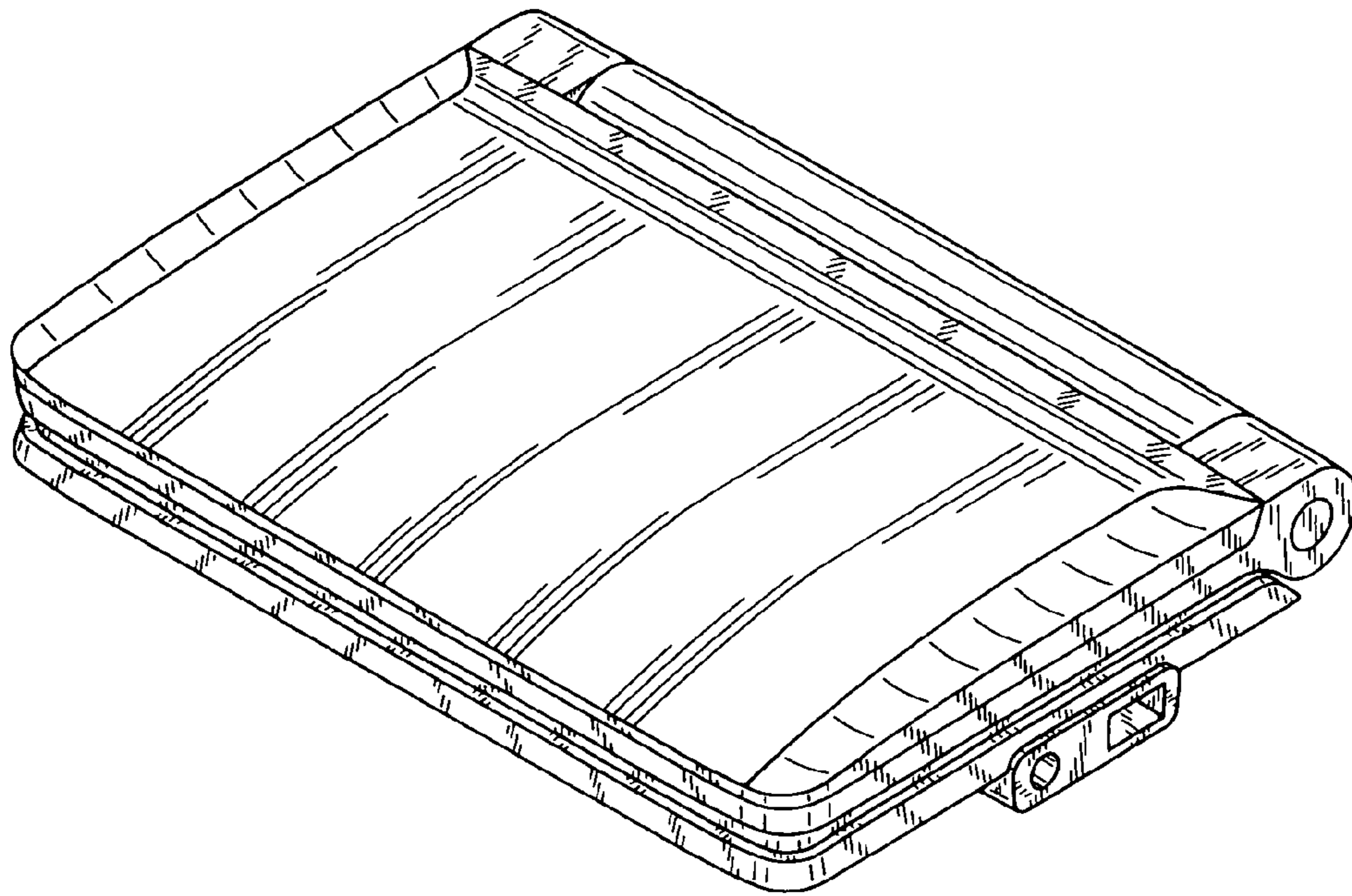


FIG. 8

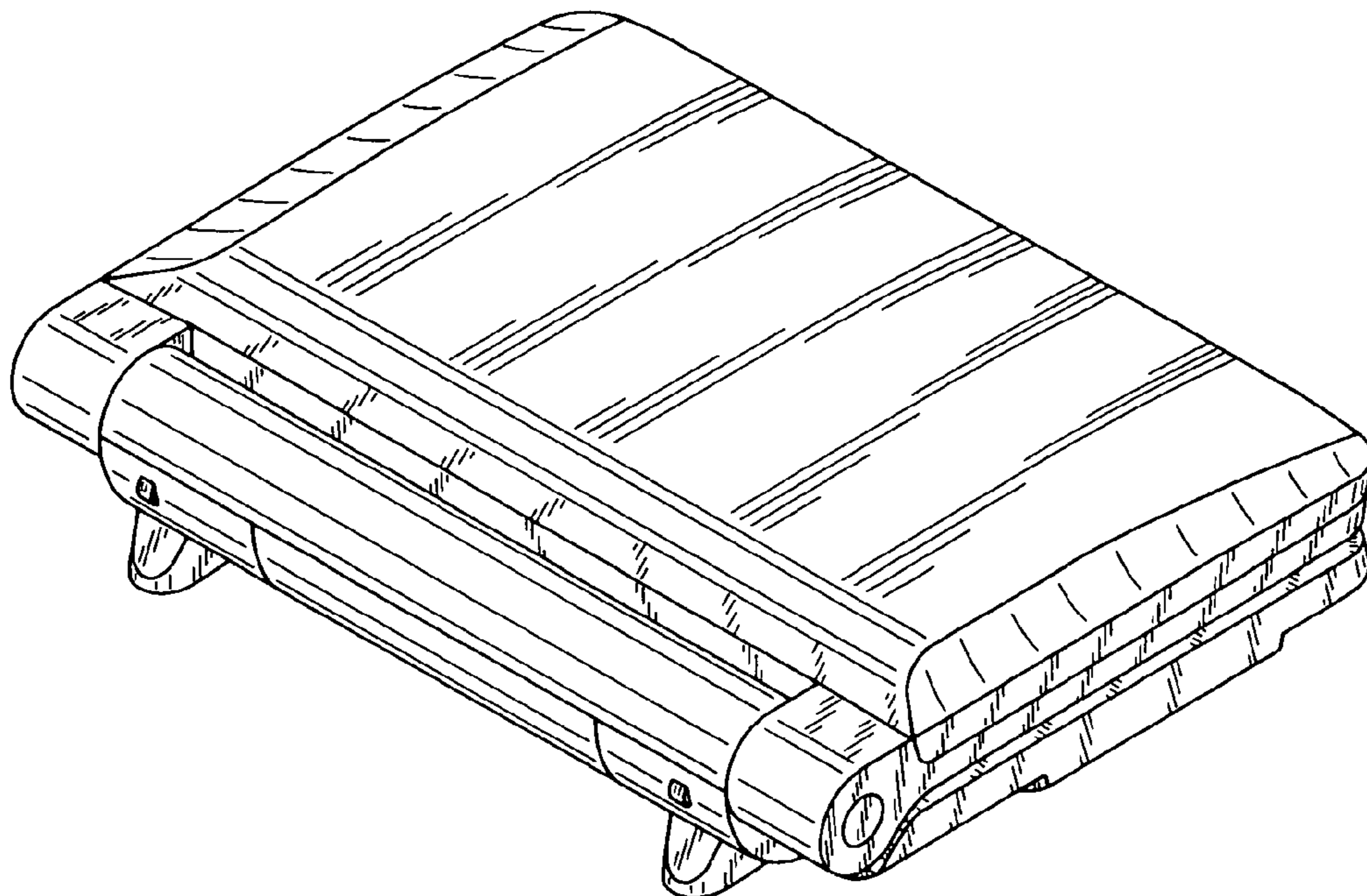


FIG. 9