



US00D561243S

(12) **United States Design Patent**
Dahl

(10) **Patent No.:** **US D561,243 S**
(45) **Date of Patent:** **** Feb. 5, 2008**

(54) **POINT OF SALE TERMINAL WITH
ADVERTISING PANELS**

(75) Inventor: **Oyvind Dahl**, Zurich (CH)

(73) Assignee: **Point Pay International, Inc.**, Miami,
FL (US)

(**) Term: **14 Years**

(21) Appl. No.: **29/244,119**

(22) Filed: **Dec. 5, 2005**

(51) **LOC (8) Cl.** **18-01**

(52) **U.S. Cl.** **D18/4.6**

(58) **Field of Classification Search** D14/336,
D14/371-376, 385-387; D18/3.1-3.3, 4.1-4.6,
D18/6-8, 11, 12, 12.1-12.3; D21/324, 329,
D21/332, 333; D99/28, 34-36, 43; 235/1 E,
235/2, 7 R, 12, 22, 33, 51, 52; 705/12, 15-18,
705/43

See application file for complete search history.

(56) **References Cited**

U.S. PATENT DOCUMENTS

D227,299 S * 6/1973 Moldovan, Jr. D18/6
D347,213 S * 5/1994 Bianco D14/387
D364,386 S * 11/1995 Bramlett et al. D14/387
5,937,396 A * 8/1999 Konya 705/43

D414,163 S * 9/1999 Hesselbach D14/387
D433,701 S * 11/2000 Chiu D18/4.6
D444,819 S * 7/2001 Kurz et al. D21/329
D502,727 S * 3/2005 Slinckx D18/4.6
D504,147 S * 4/2005 Slinckx D18/4.6

* cited by examiner

Primary Examiner—Robert M. Spear

Assistant Examiner—Garth Rademaker

(74) *Attorney, Agent, or Firm*—Holland & Knight LLP;
Brian J. Colandreo, Esq.

(57) **CLAIM**

The ornamental design for a point of sale terminal with
advertising panels, as shown and described.

DESCRIPTION

FIG. 1 is a front perspective view of a point of sale terminal
with advertising panels;

FIG. 2 is front elevation view thereof;

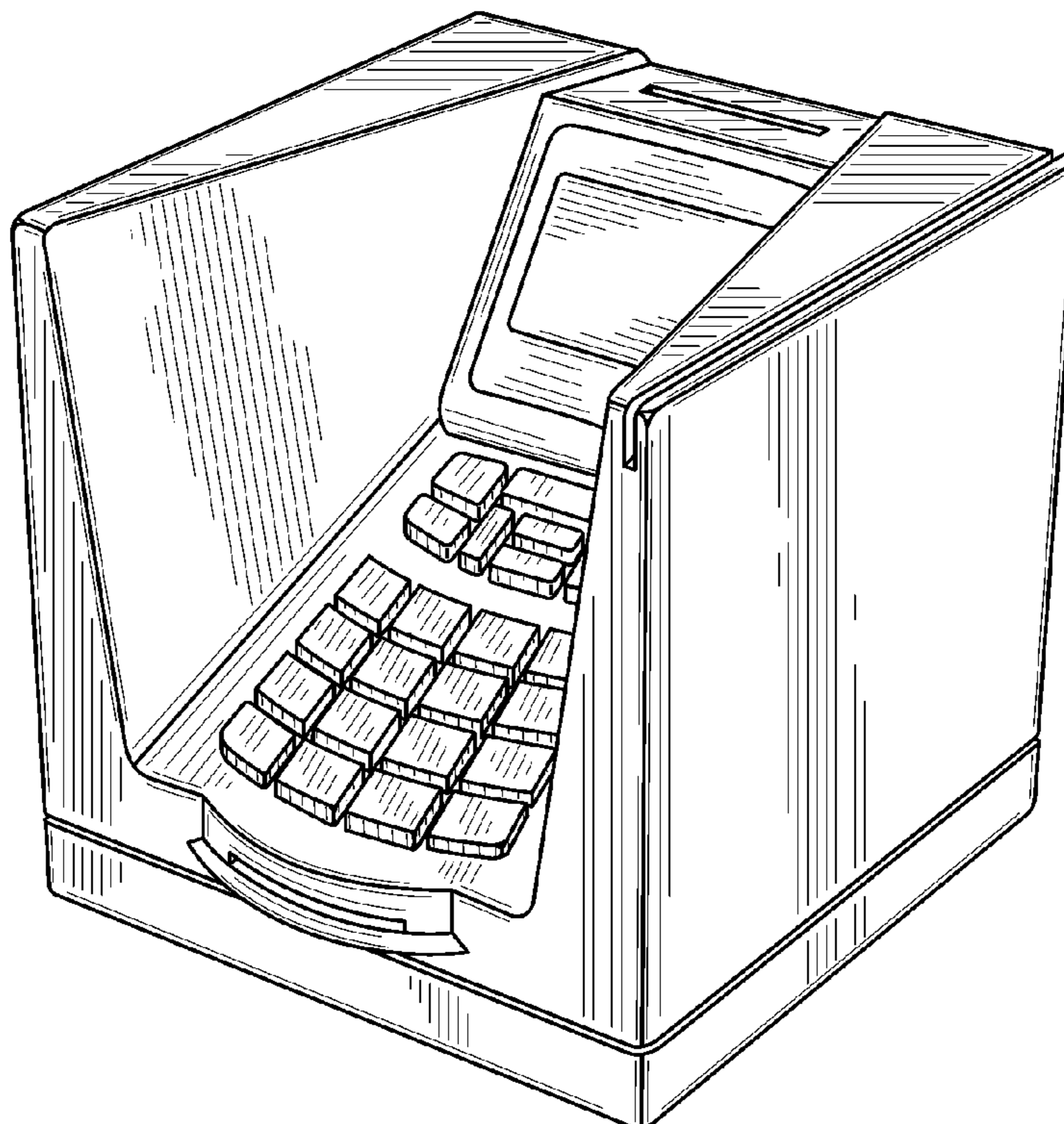
FIG. 3 is a top plan view thereof;

FIG. 4 is an exploded bottom perspective view thereof;

FIG. 5 is a left side elevation view thereof; and,

FIG. 6 is a rear perspective view thereof, shown in an
alternate position of use.

1 Claim, 3 Drawing Sheets



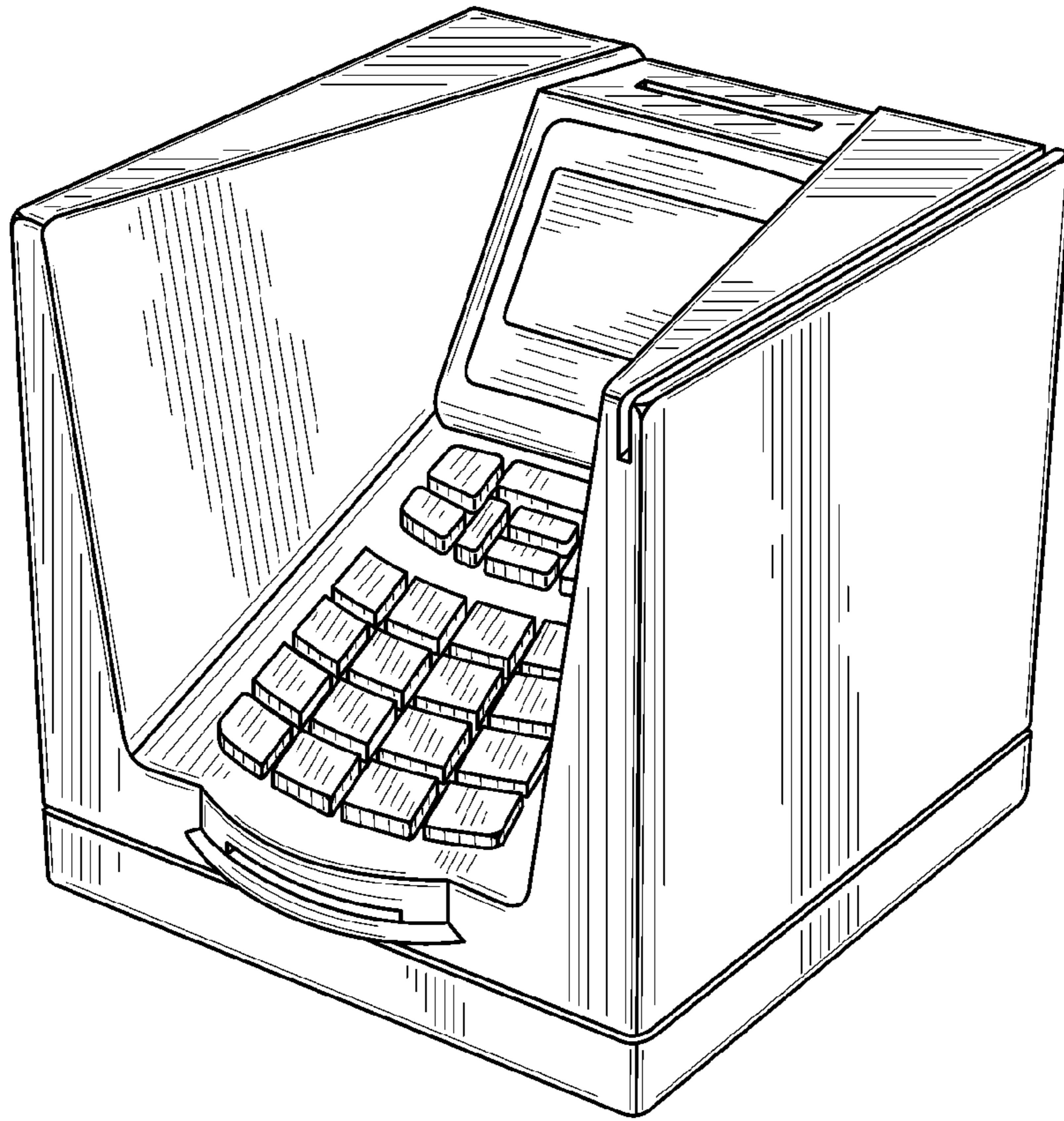


FIG. 1

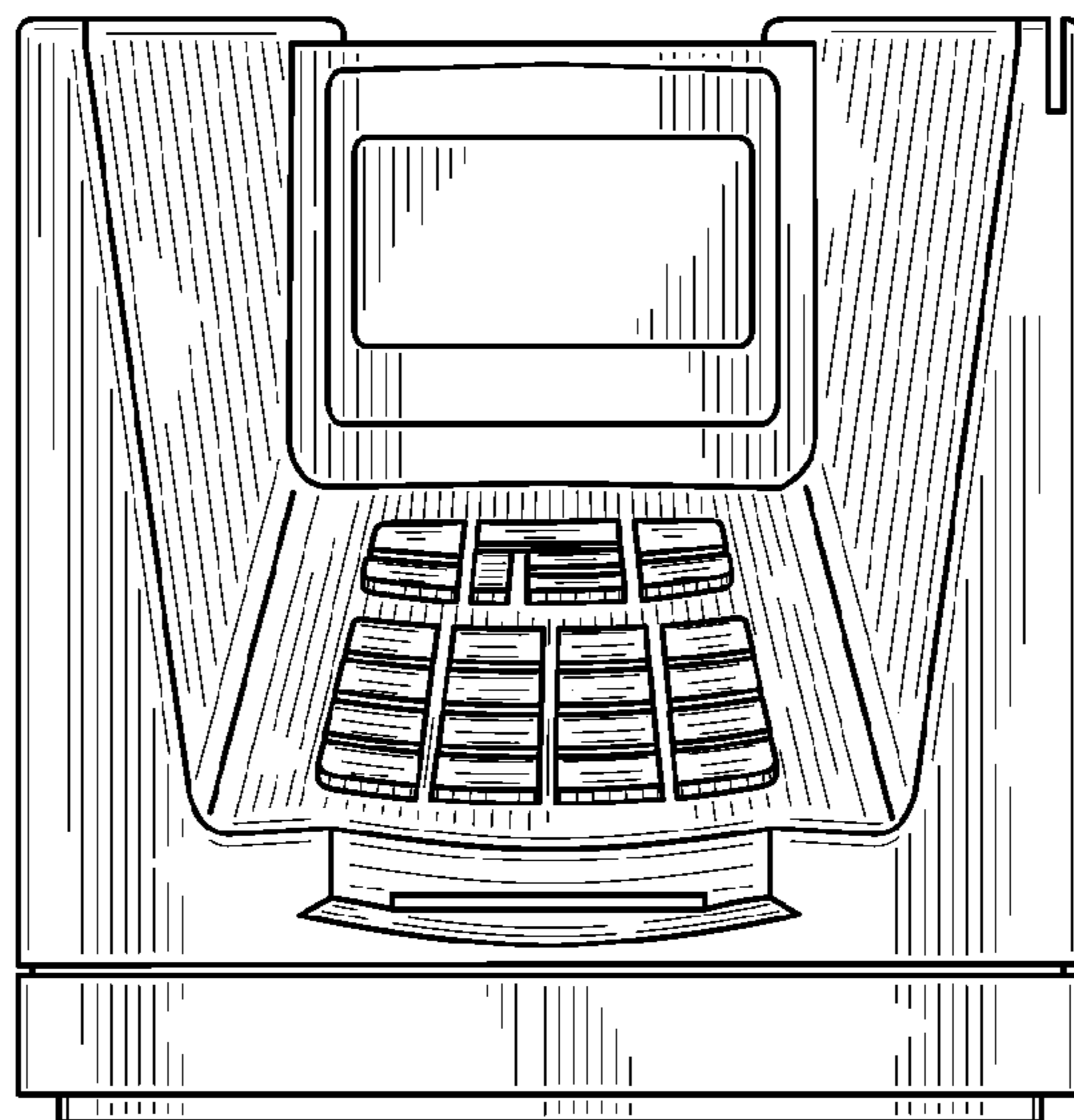


FIG. 2

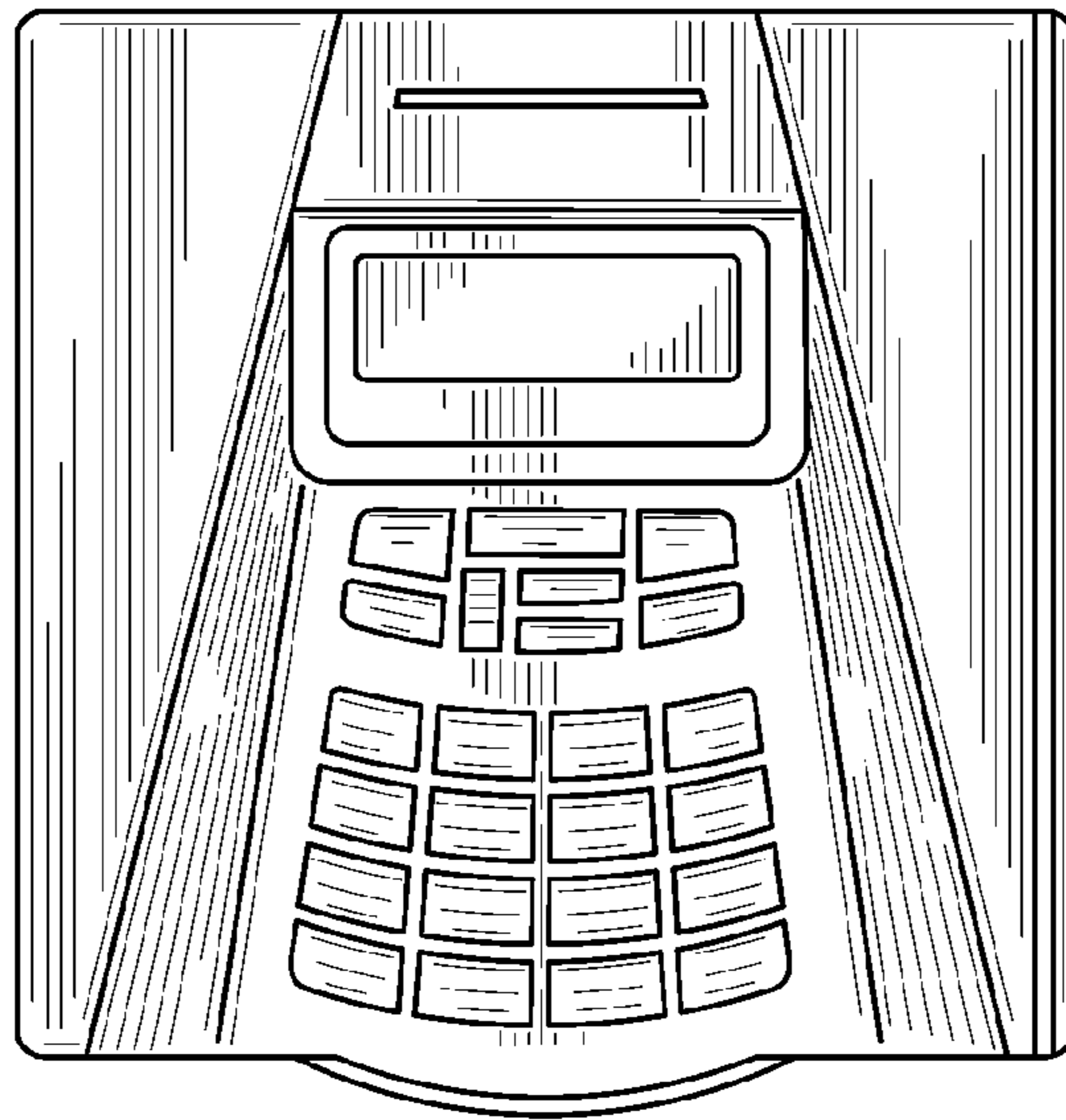


FIG. 3

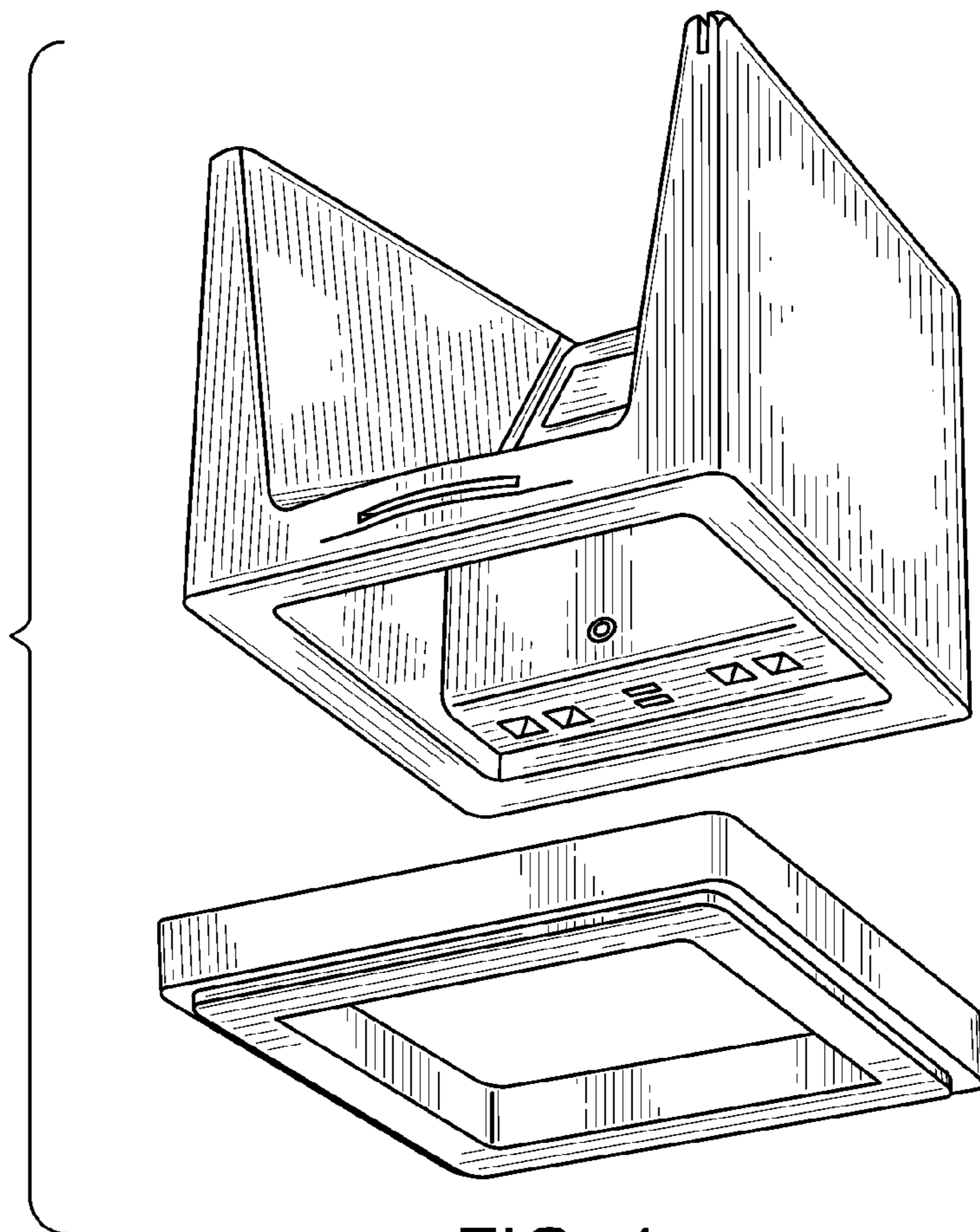


FIG. 4

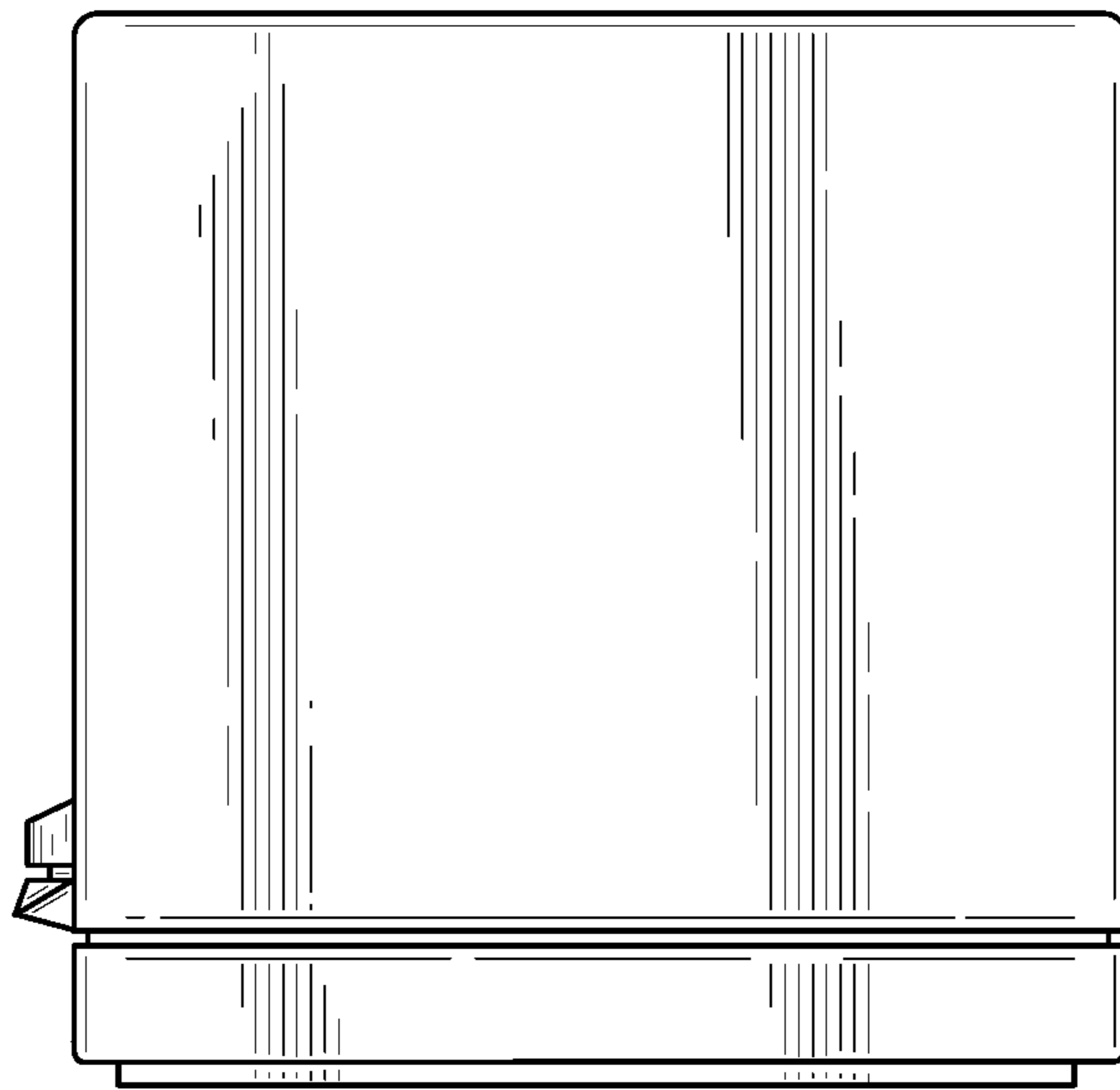


FIG. 5

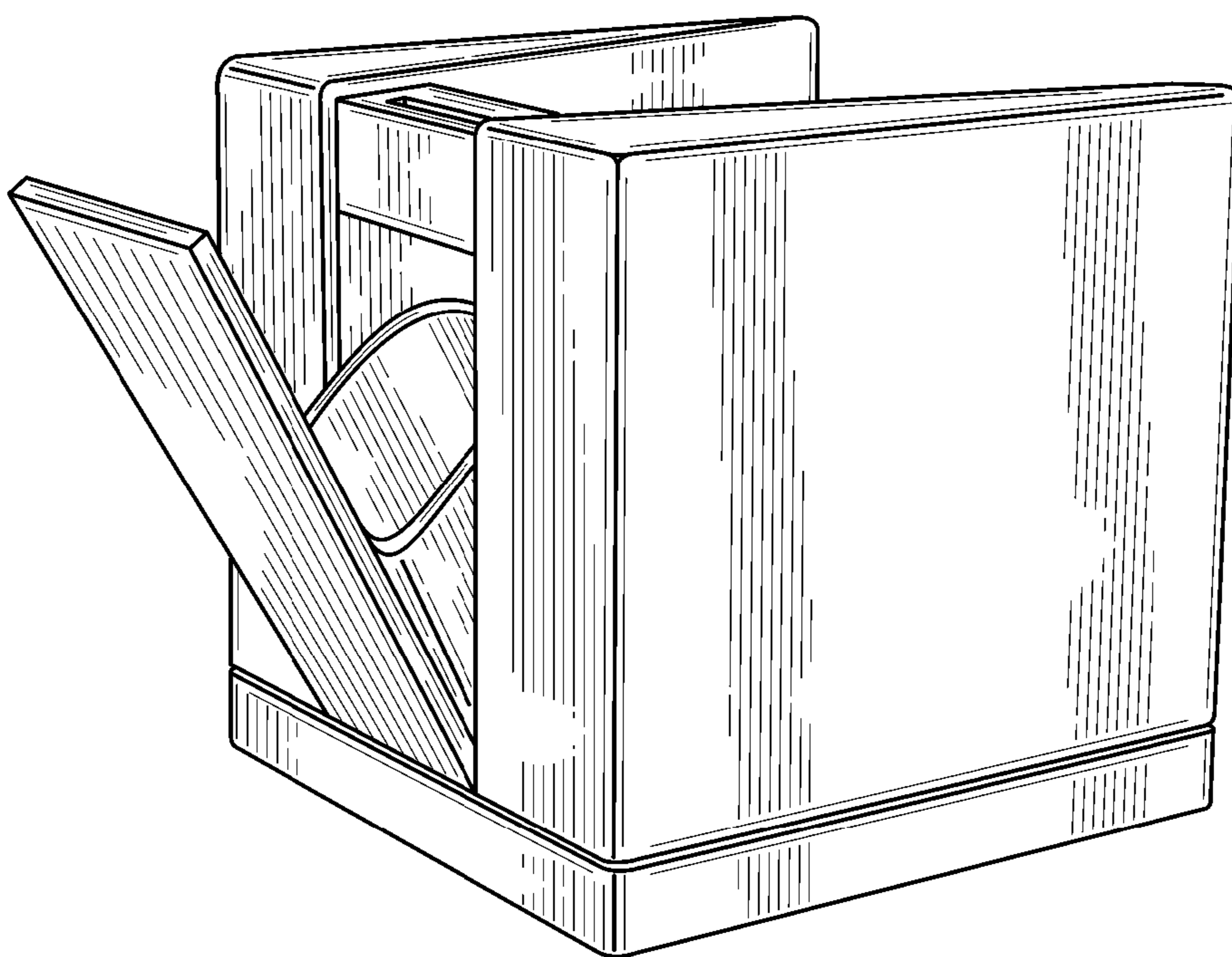


FIG. 6