



US00D561242S

(12) **United States Design Patent**  
**Dahl**

(10) **Patent No.:** **US D561,242 S**

(45) **Date of Patent:** **\*\* Feb. 5, 2008**

(54) **POINT OF SALE TERMINAL WITH  
ADVERTISING PANELS**

(75) Inventor: **Oyvind Dahl**, Zurich (CH)

(73) Assignee: **Point Pay International, Inc.**, Miami,  
FL (US)

(\*\*) Term: **14 Years**

(21) Appl. No.: **29/244,108**

(22) Filed: **Dec. 5, 2005**

(51) **LOC (8) Cl.** ..... **18-01**

(52) **U.S. Cl.** ..... **D18/4.6**

(58) **Field of Classification Search** ..... D14/336,  
D14/371-376, 385-387; D18/3.1-3.3, 4.1-4.6,  
D18/6-8, 11, 12, 12.1-12.3; D21/324, 329,  
D21/332, 333; D99/28, 34-36, 43; 235/1 E,  
235/2, 7 R, 12, 22, 33, 51, 52; 705/12, 15-18,  
705/43

See application file for complete search history.

(56) **References Cited**

**U.S. PATENT DOCUMENTS**

D224,233 S *	7/1972	Fujita	.....	D14/371
D226,921 S *	5/1973	Cone et al.	.....	D18/7
D249,091 S *	8/1978	Burtis	.....	D18/7
D252,410 S *	7/1979	Graser	.....	D99/28
D260,023 S *	7/1981	Pagani et al.	.....	D21/324
D276,626 S *	12/1984	Lockwood	.....	D99/28

D364,386 S *	11/1995	Bramlett et al.	.....	D14/387
D414,163 S *	9/1999	Hesselbach	.....	D14/387
D439,621 S *	3/2001	Podd et al.	.....	D21/329
D502,727 S *	3/2005	Slinckx	.....	D18/4.6
D504,147 S *	4/2005	Slinckx	.....	D18/4.6

\* cited by examiner

*Primary Examiner*—Robert M. Spear

*Assistant Examiner*—Garth Rademaker

(74) *Attorney, Agent, or Firm*—Holland & Knight LLP;  
Brian J. Colandreo, Esq.

(57) **CLAIM**

The ornamental design for a point of sale terminal with  
advertising panels, as shown and described.

**DESCRIPTION**

FIG. 1 is a front perspective view of a point of sale terminal  
with advertising panels;

FIG. 2 is front elevation view thereof;

FIG. 3 is a top plan view thereof;

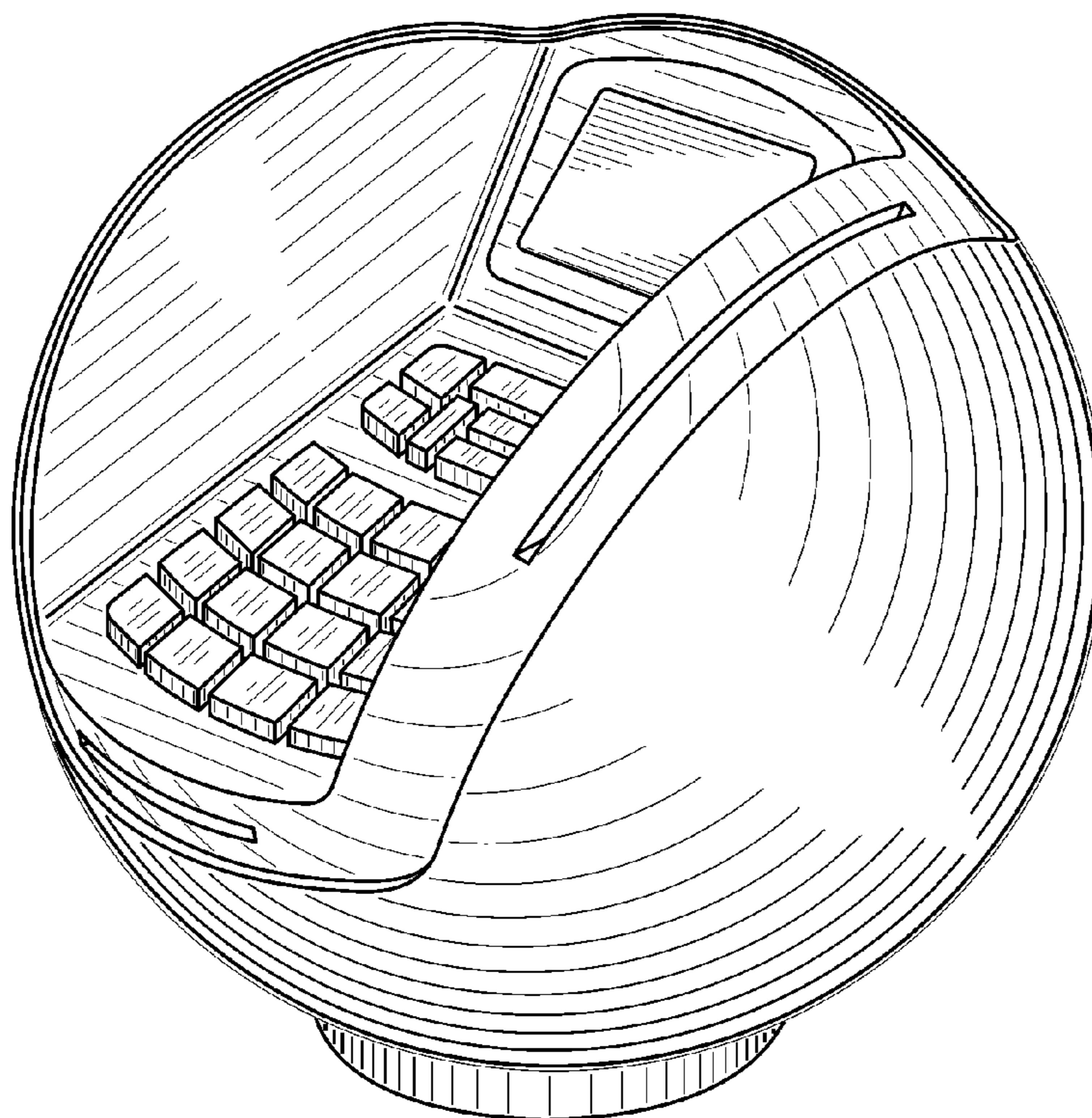
FIG. 4 is an exploded bottom perspective view thereof;

FIG. 5 is a left side elevation view thereof;

FIG. 6 is a right side elevation view thereof; and,

FIG. 7 is a rear perspective view thereof, shown in an  
alternate position of use.

**1 Claim, 4 Drawing Sheets**



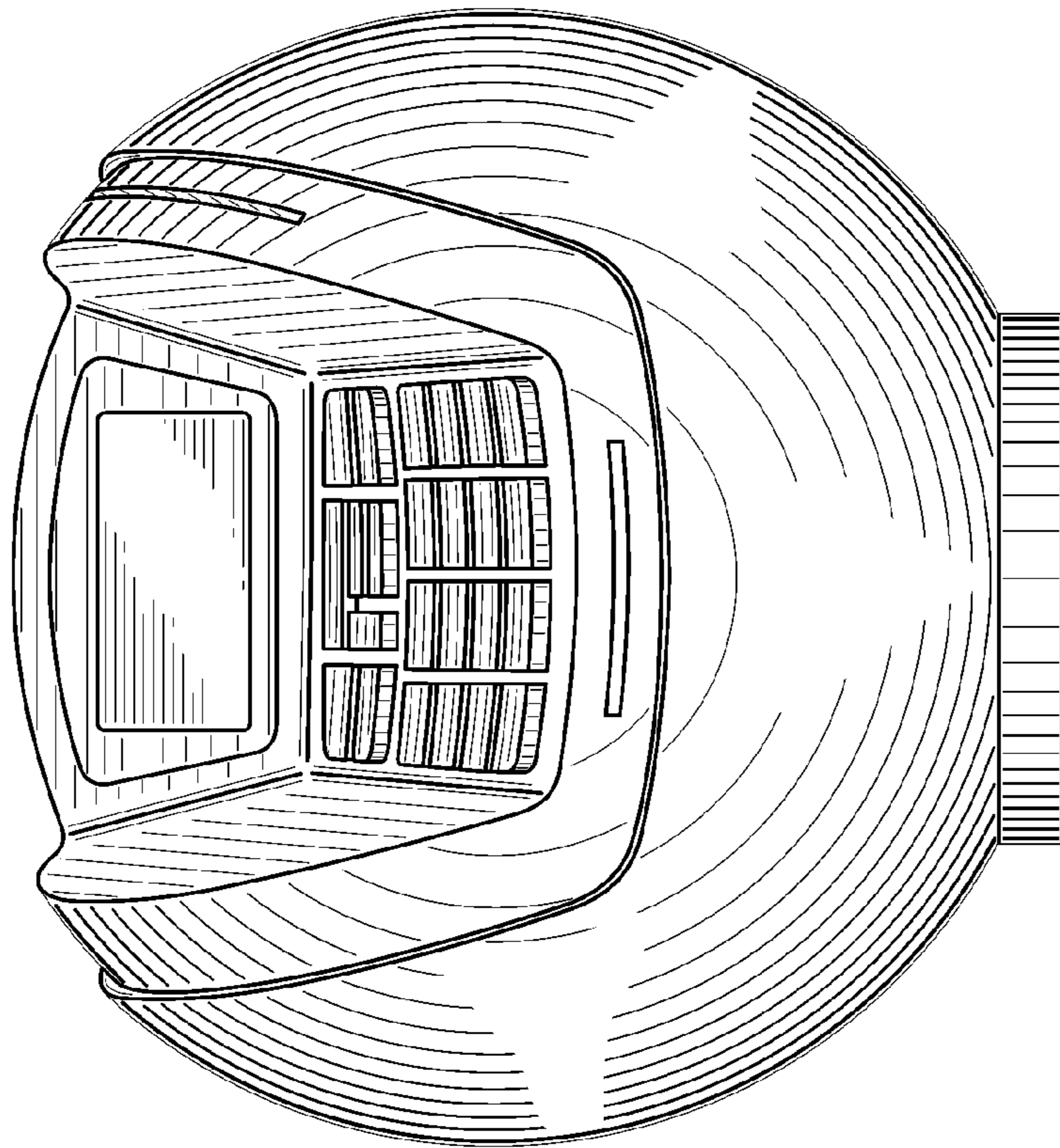


FIG. 2

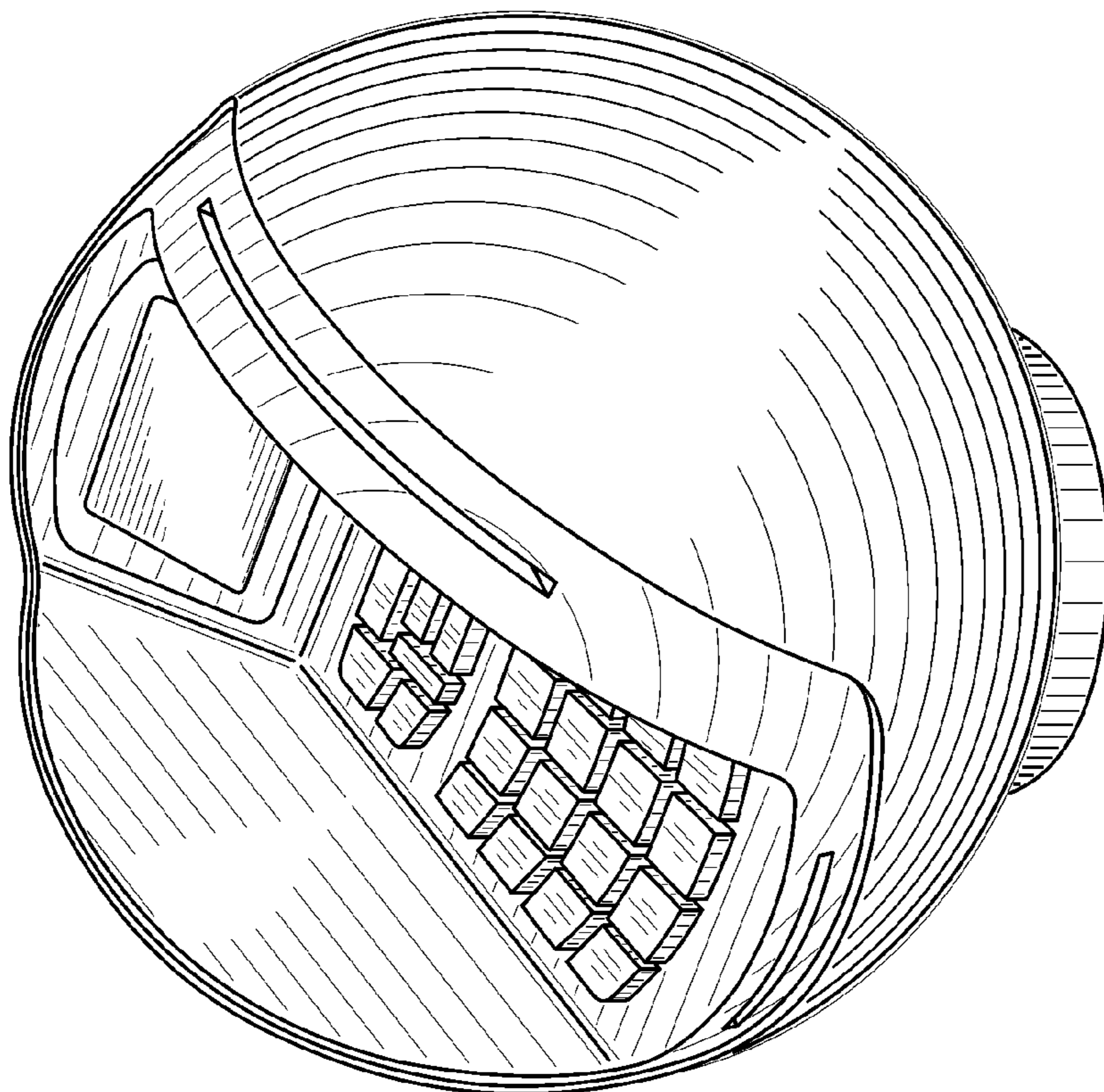


FIG. 1

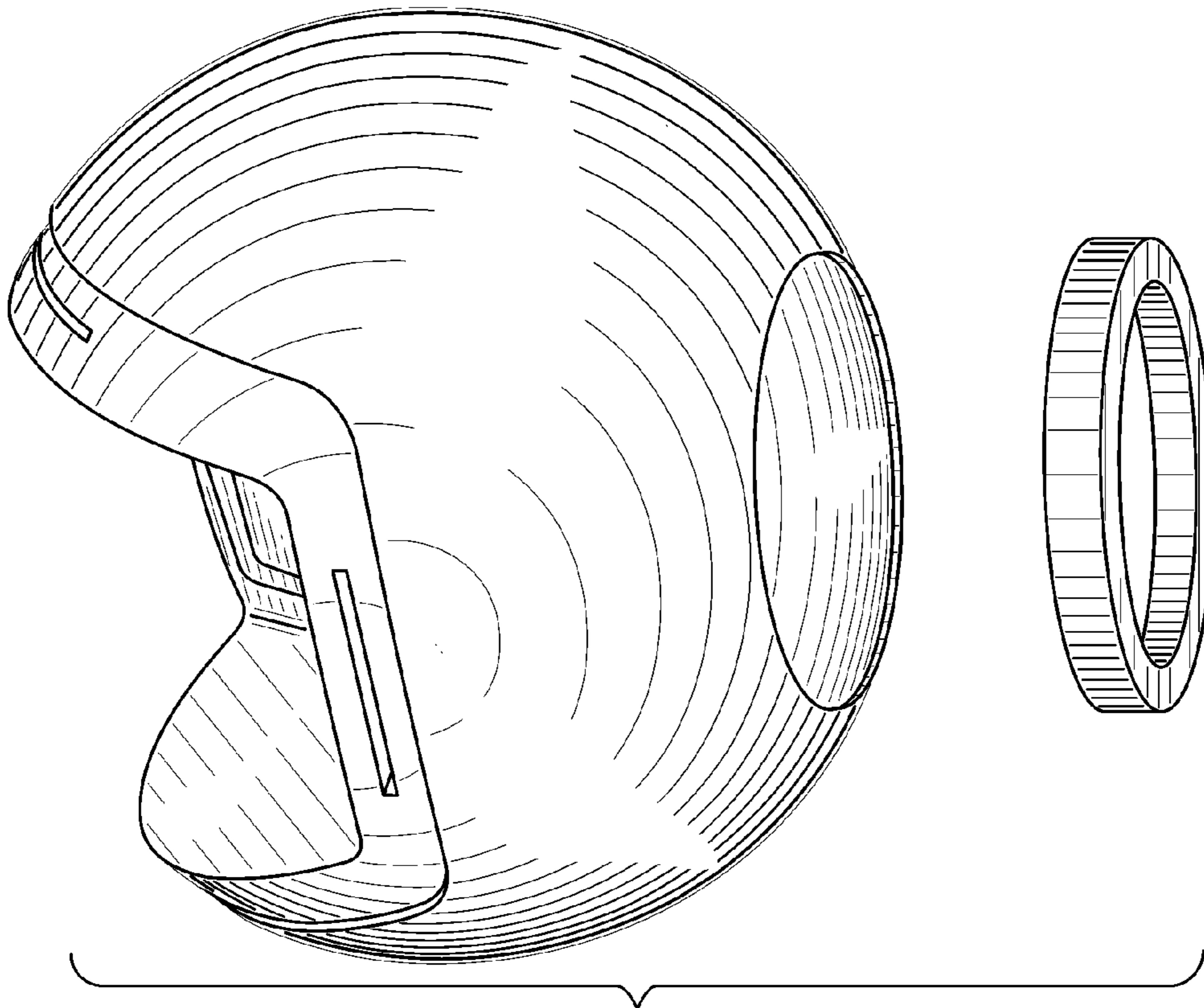


FIG. 4

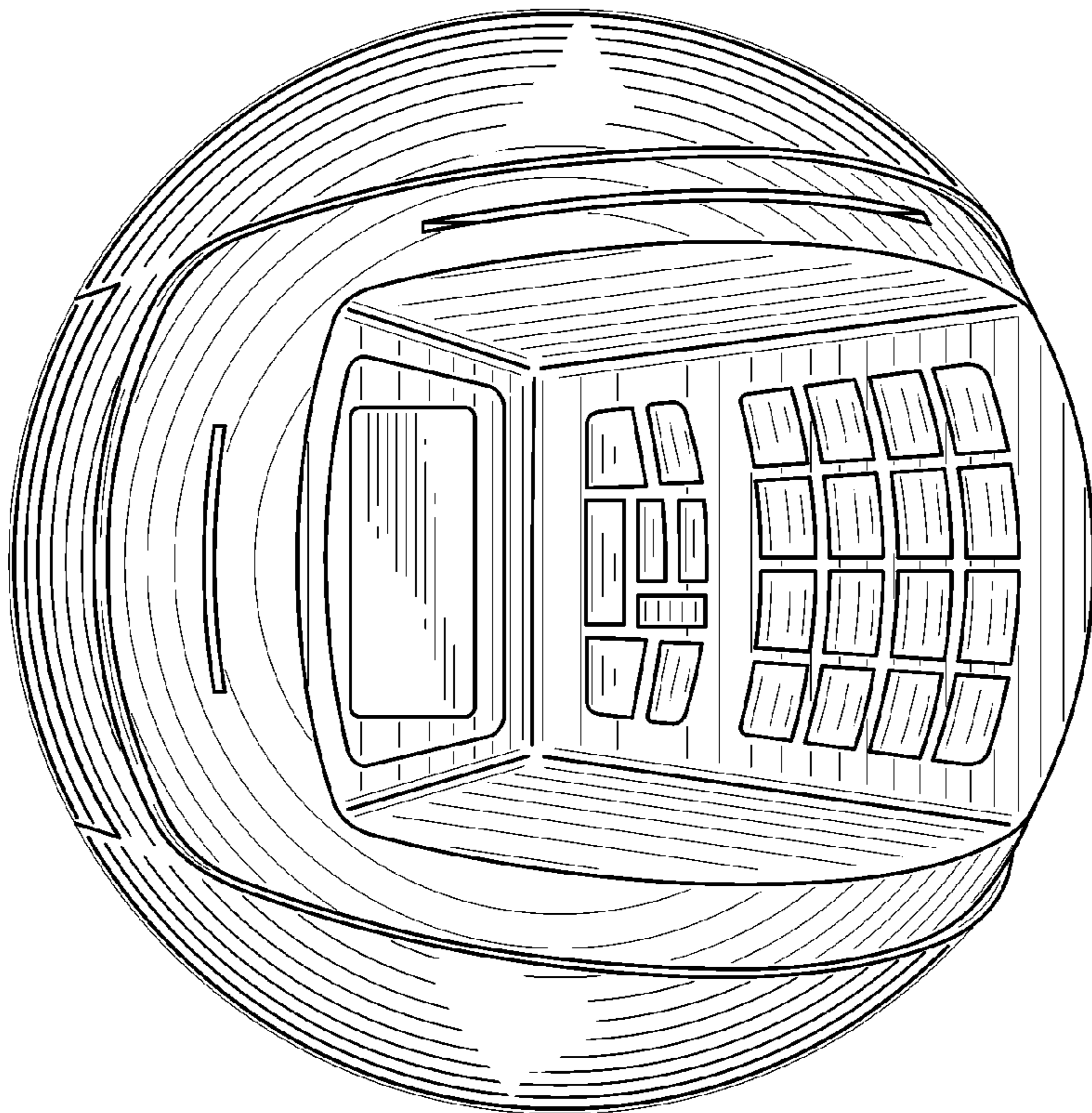


FIG. 3

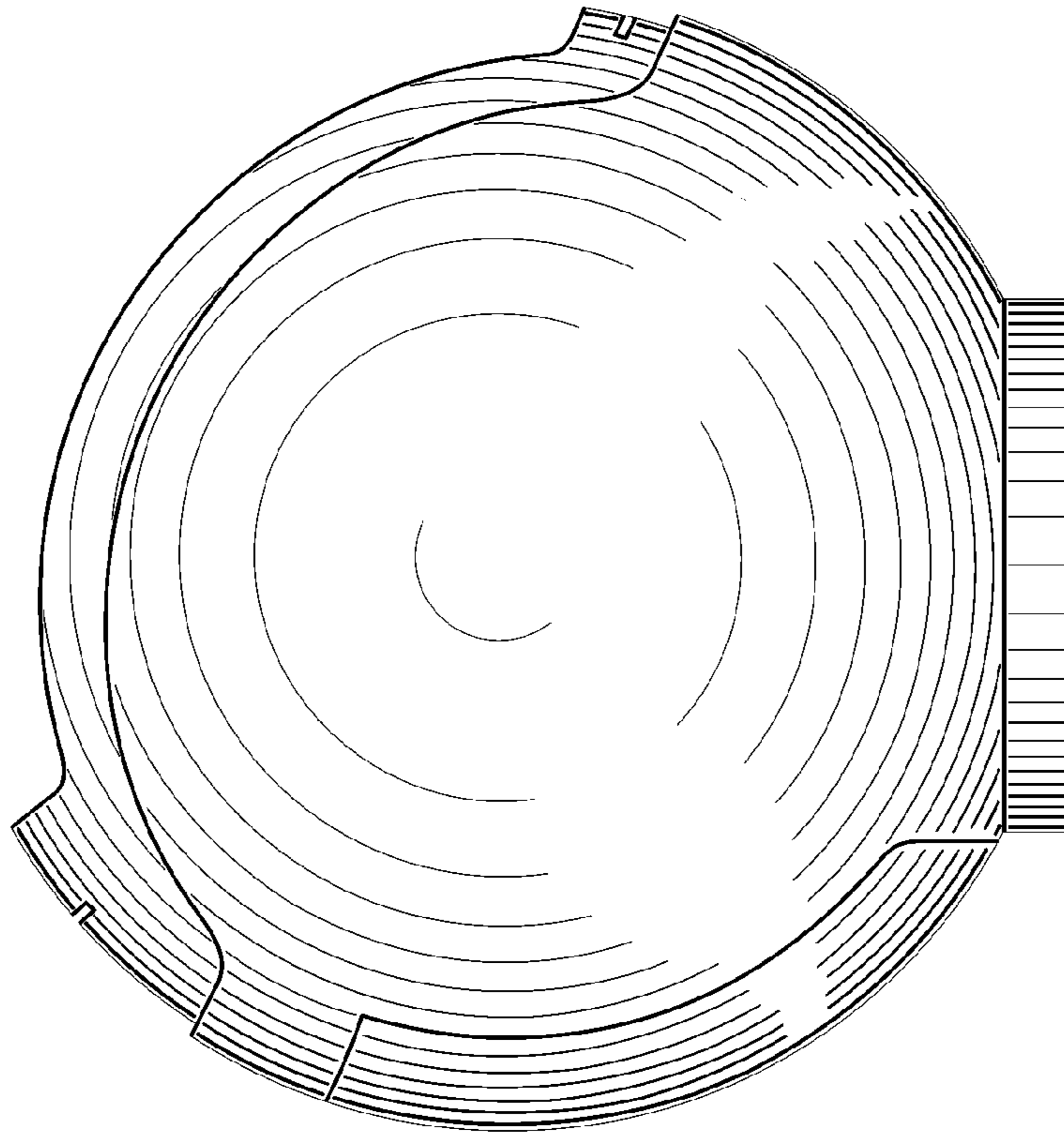


FIG. 6

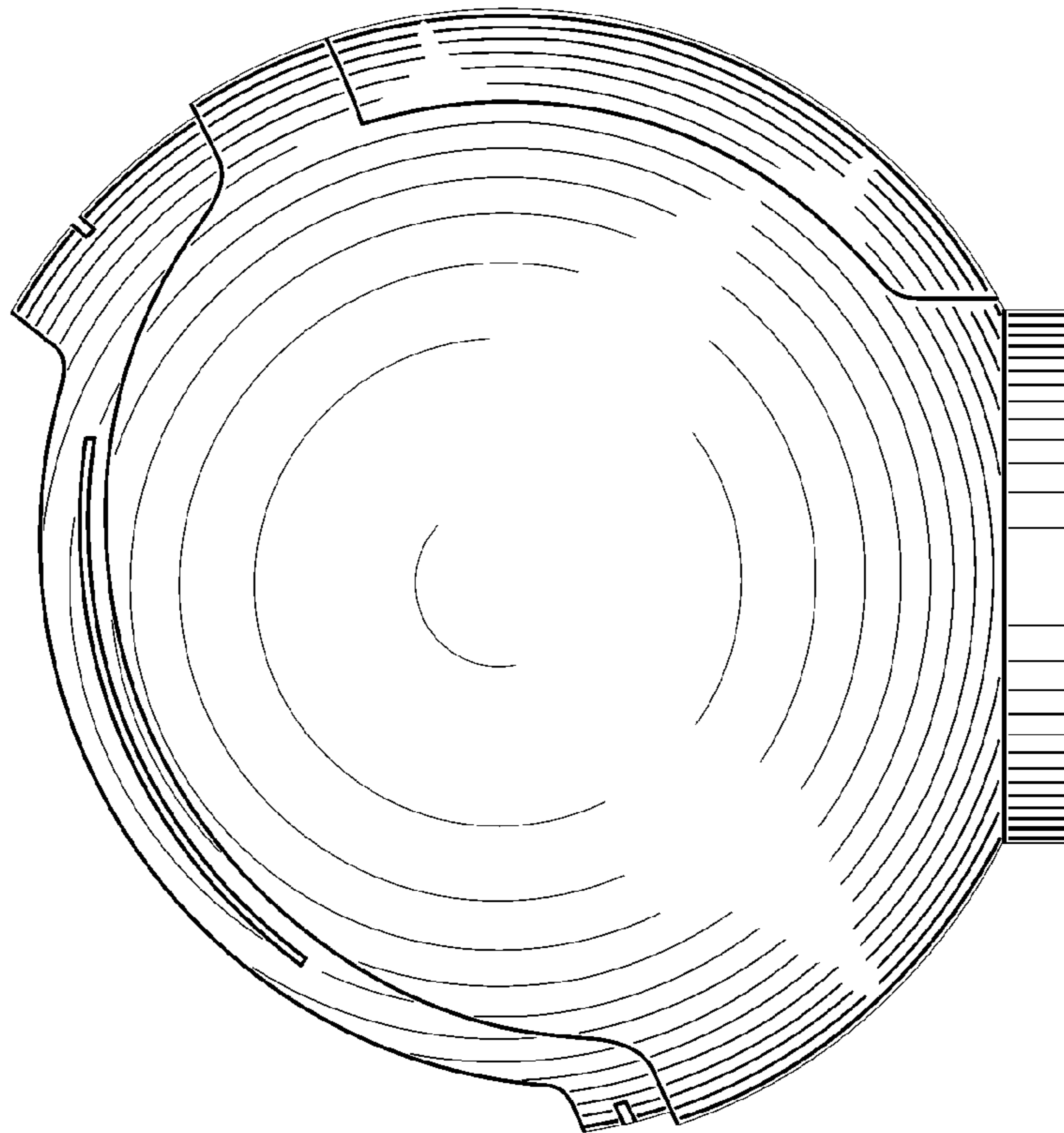


FIG. 5

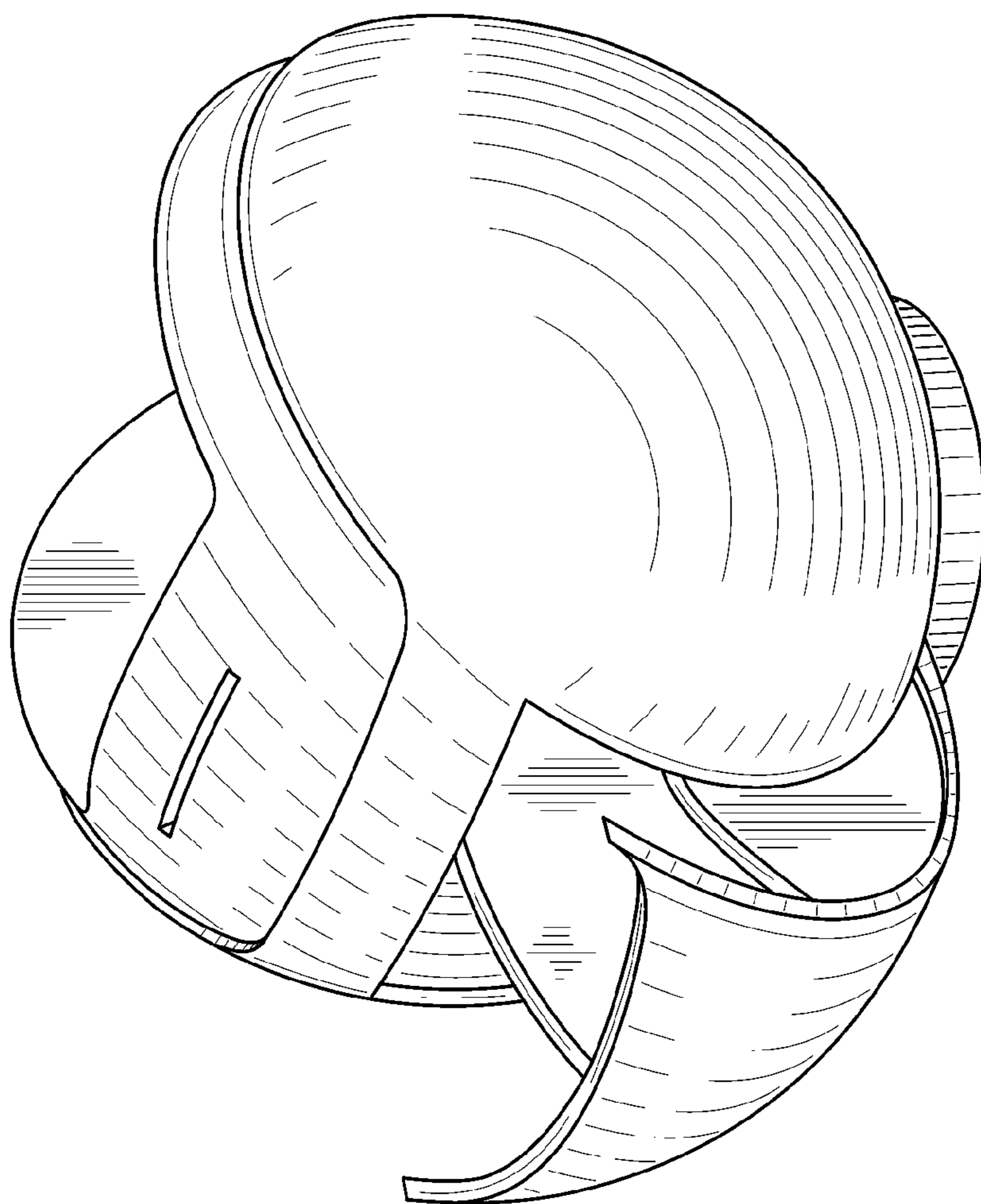


FIG. 7