



US00D561239S

(12) **United States Design Patent**
Nakao et al.

(10) **Patent No.:** **US D561,239 S**

(45) **Date of Patent:** **** Feb. 5, 2008**

(54) **PERCUSSION INSTRUMENT**

(74) *Attorney, Agent, or Firm*—Foley & Lardner LLP

(75) Inventors: **Koichi Nakao**, Hamamatsu (JP);
Masahiro Kitagawa, Hamamatsu (JP)

(57) **CLAIM**

We claim the ornamental design for a percussion instrument, as shown and described.

(73) Assignee: **Roland Corporation**, Hamamatsu (JP)

(**) Term: **14 Years**

DESCRIPTION

(21) Appl. No.: **29/231,914**

FIG. 1 is a top, front, left side perspective view of a percussion instrument showing our invention;

(22) Filed: **Jun. 10, 2005**

FIG. 2 is a top plan view thereof;

(51) **LOC (8) Cl.** **17-04**

FIG. 3 is a bottom plan view thereof;

(52) **U.S. Cl.** **D17/22**

FIG. 4 is a front elevational view thereof;

(58) **Field of Classification Search** D17/22;
84/106–107, 411 R, 422.1, 422.3

FIG. 5 is a bottom plan view thereof;

See application file for complete search history.

FIG. 6 is a right side elevational view thereof;

(56) **References Cited**

FIG. 7 is a left side elevational view thereof; and,

U.S. PATENT DOCUMENTS

FIG. 8 is a top, front, left side perspective view thereof, the broken line showing of the stand is for illustrative purposes only and forms no part of the claimed design.

D319,650 S * 9/1991 Hart D17/22

D448,754 S * 10/2001 Chang D14/217

D454,906 S * 3/2002 Senda et al. D17/22

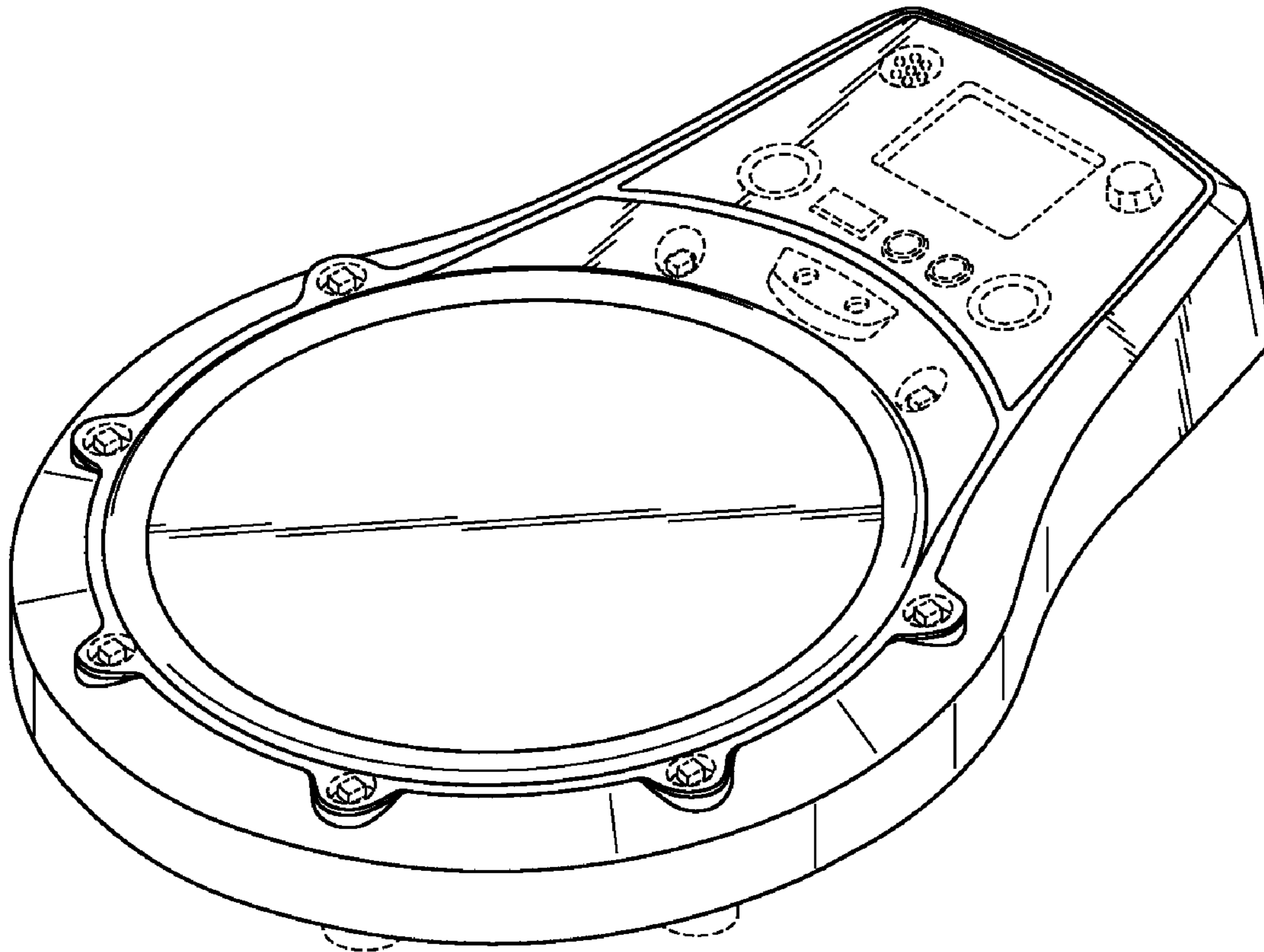
D455,774 S * 4/2002 Senda et al. D17/22

The ornamental design which is claimed is shown in solid lines in the drawings. The broken lines in the drawings are for illustrative purposes only and form no part of the claimed design.

* cited by examiner

Primary Examiner—Adir Aronovich
Assistant Examiner—Anna J Burmeister

1 Claim, 8 Drawing Sheets



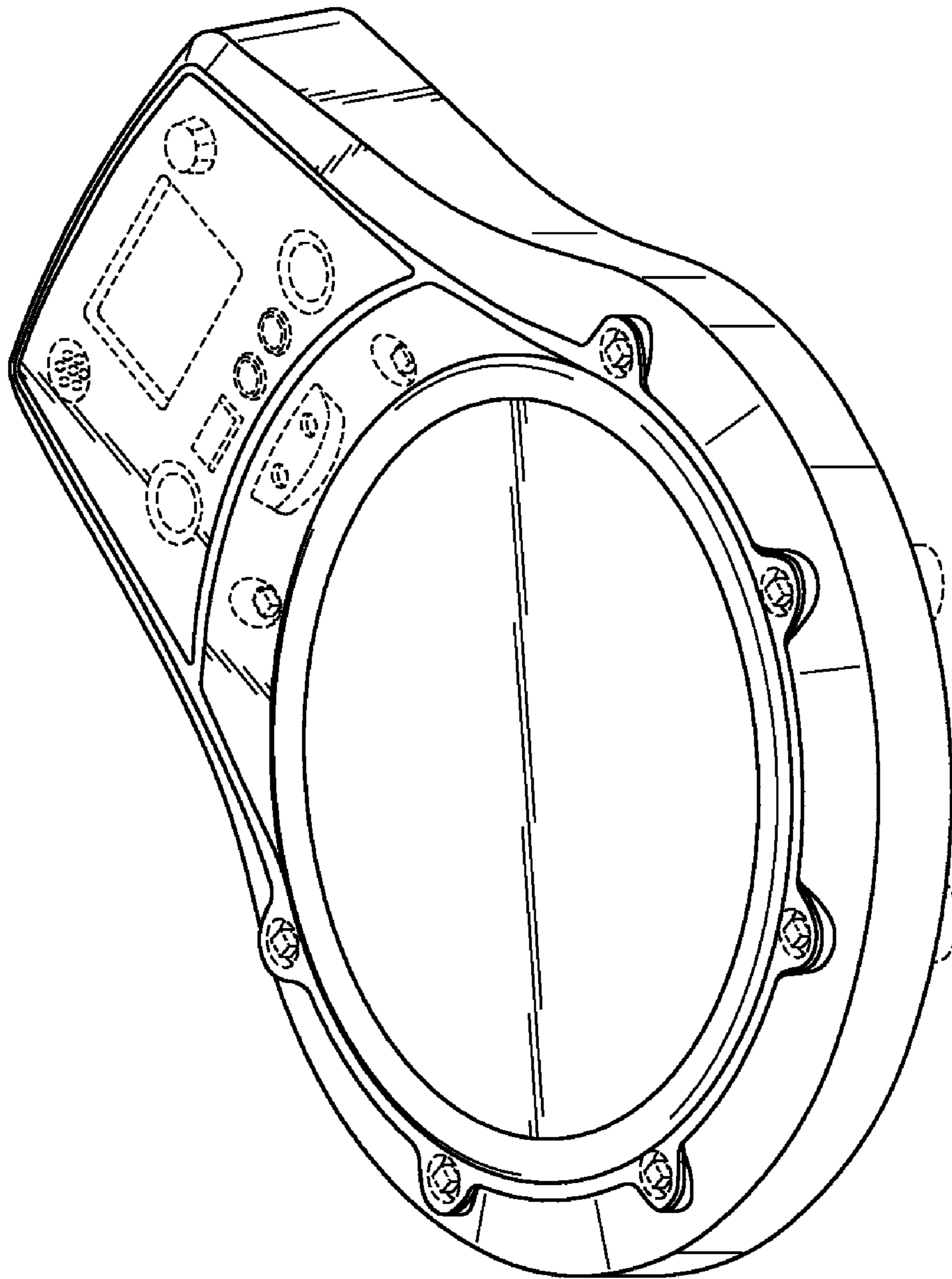


FIG. 1

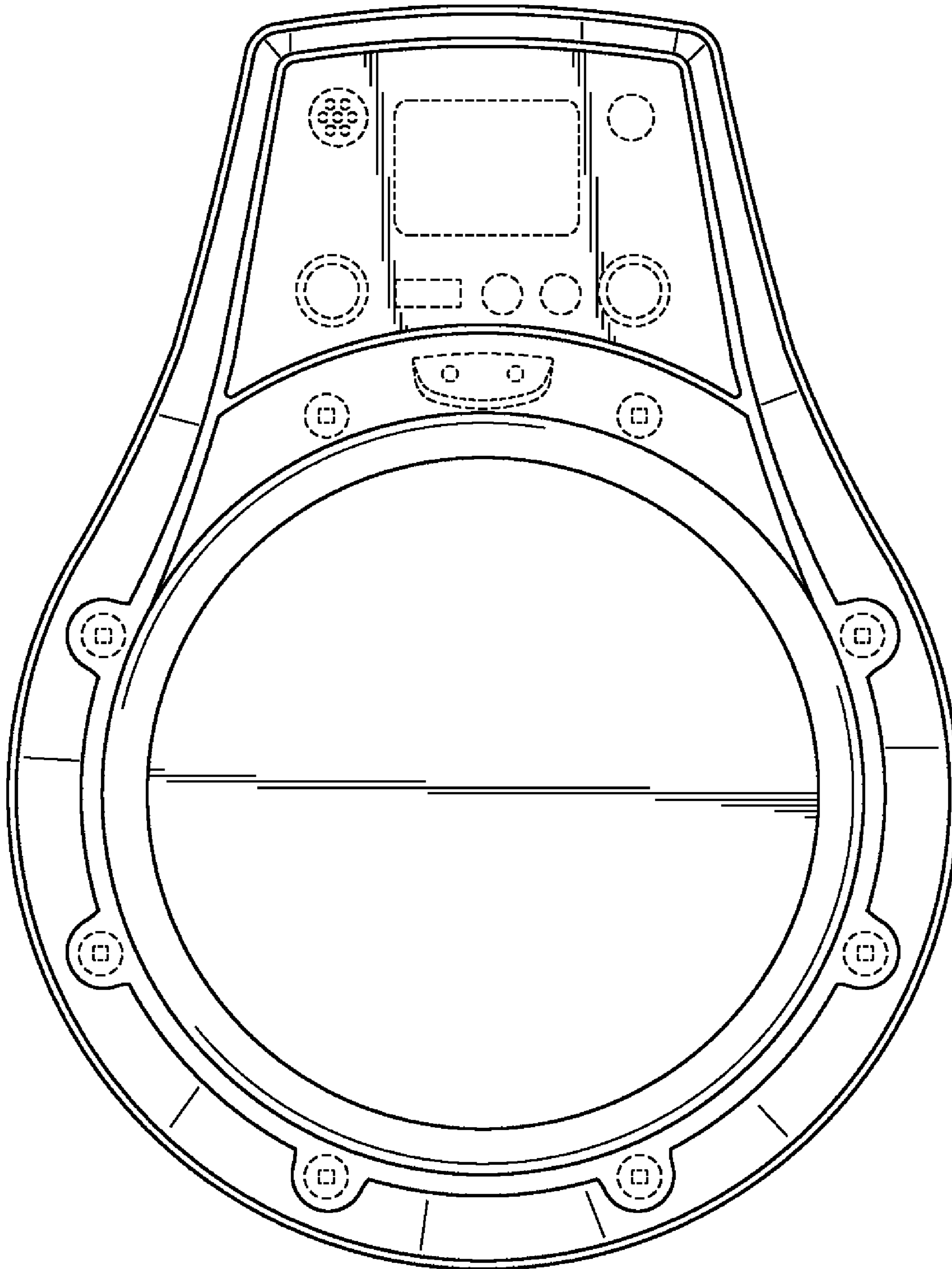


Fig. 2

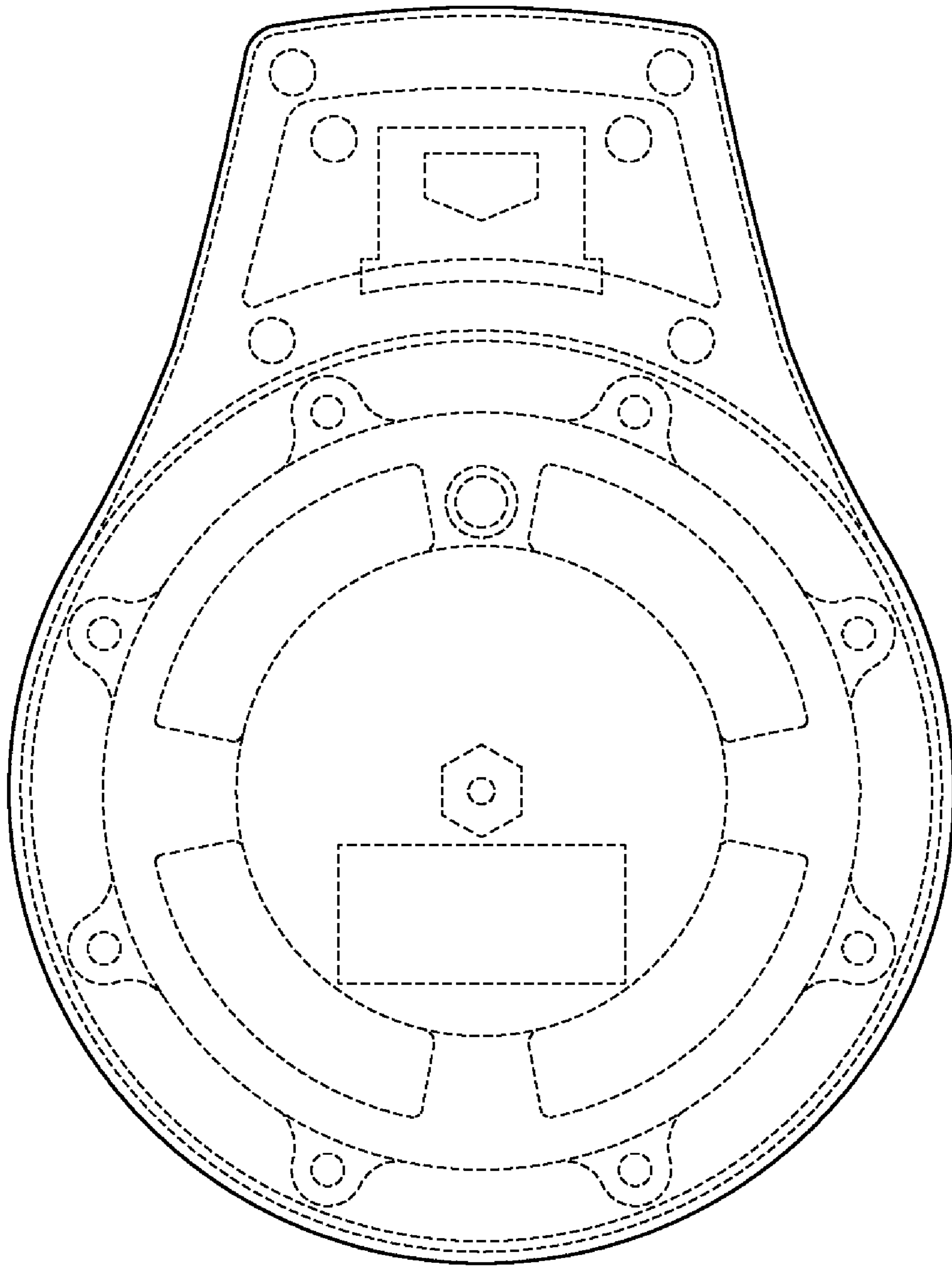


FIG. 3

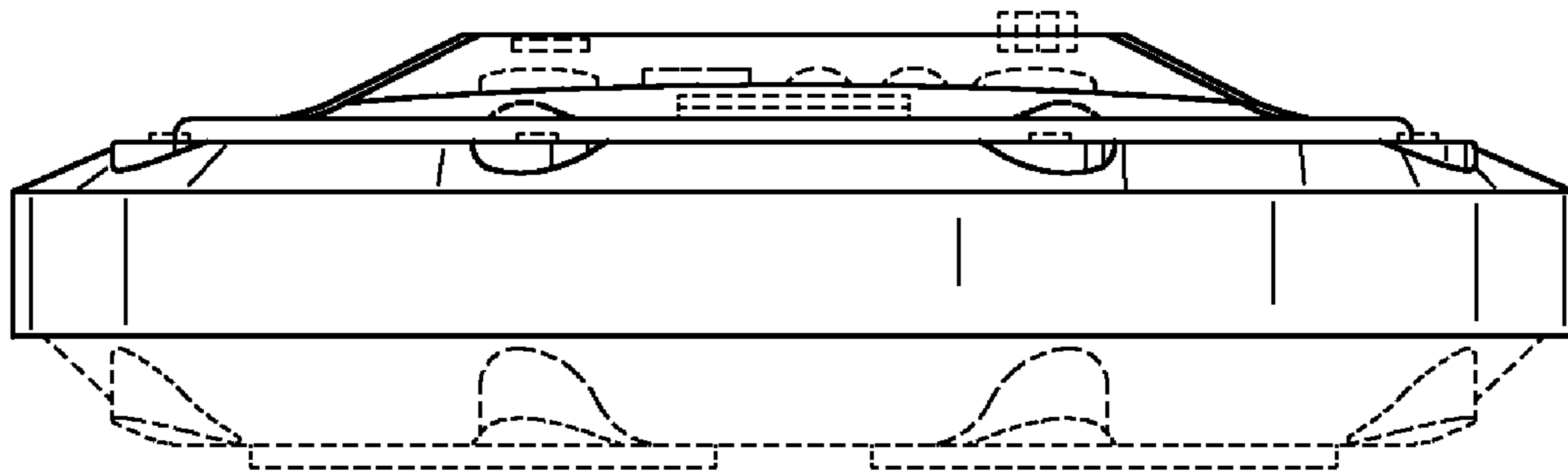


FIG. 4

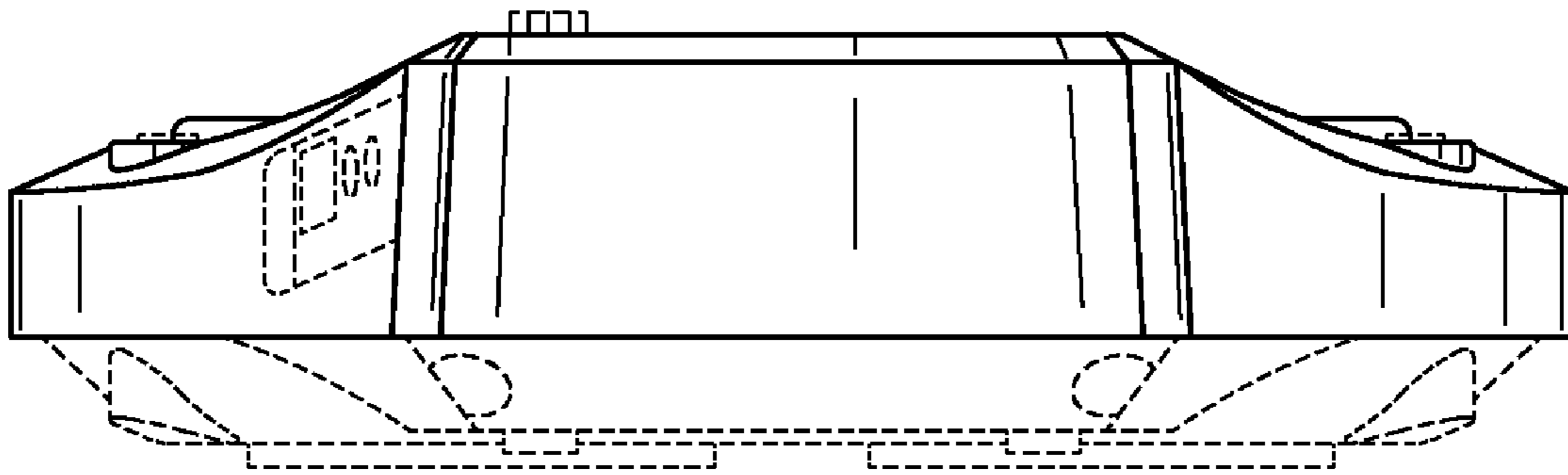


Fig. 5

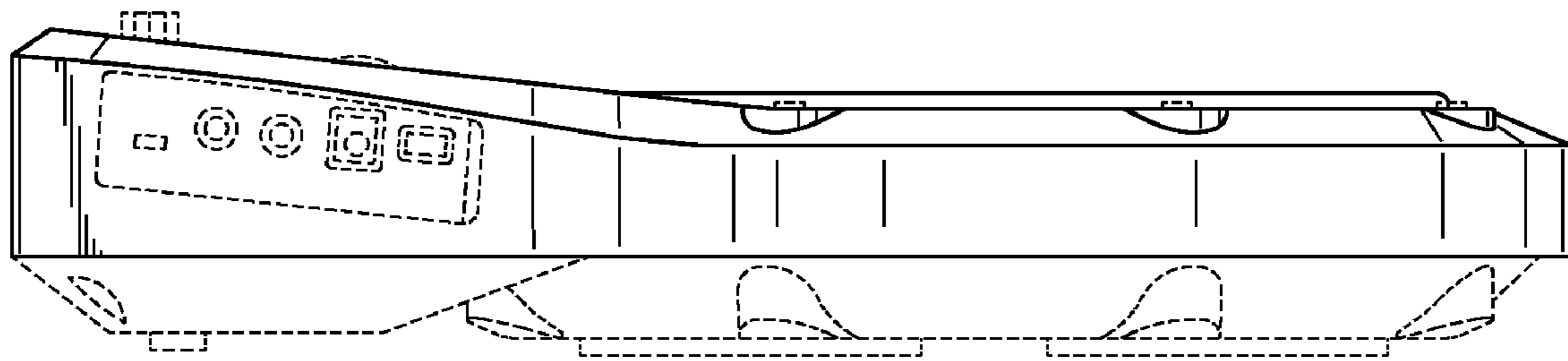


FIG. 6

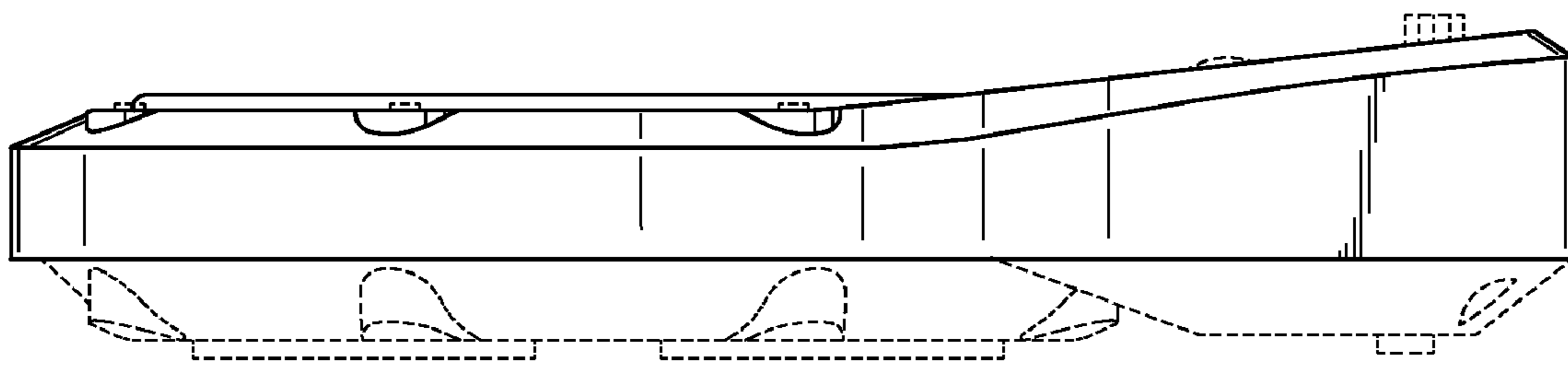


FIG. 7

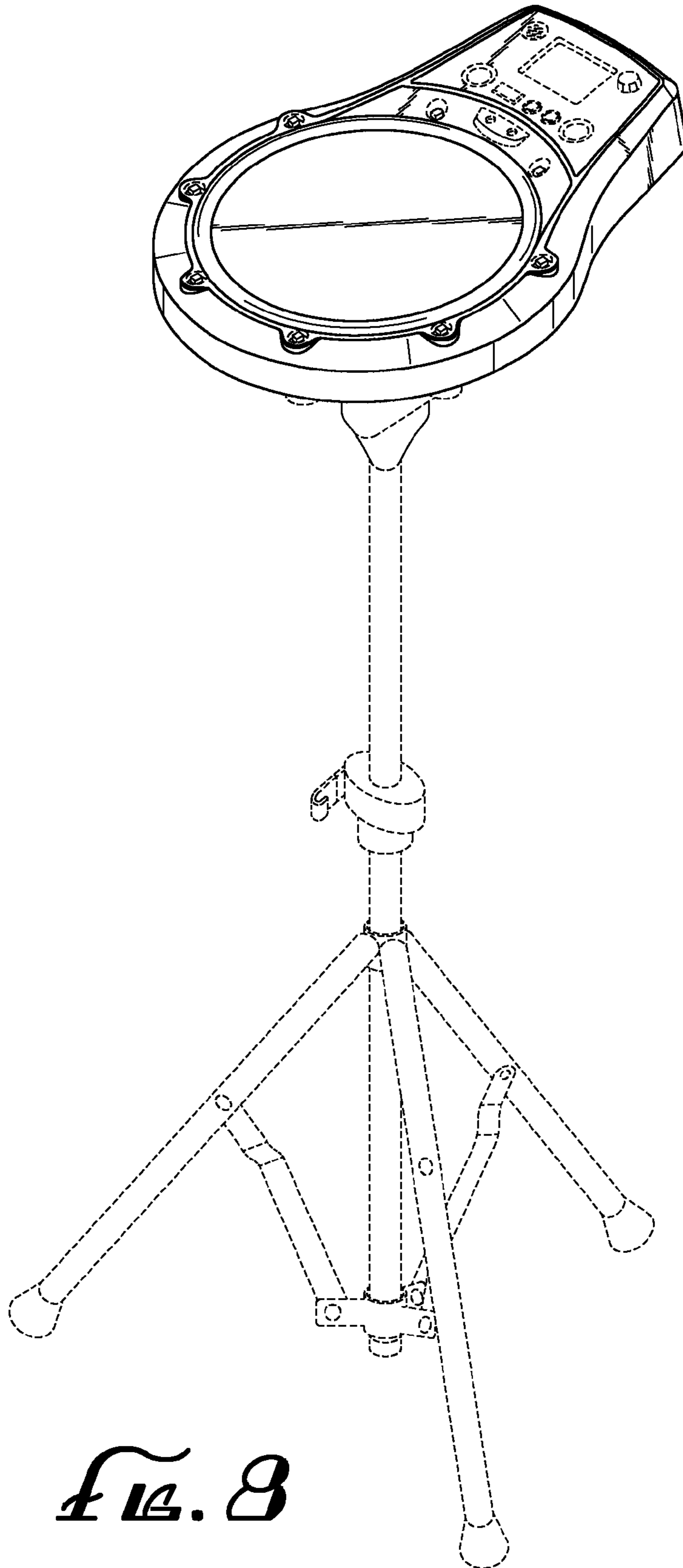


FIG. 8