

US00D561232S

(12) **United States Design Patent**
Nishizawa et al.

(10) **Patent No.:** **US D561,232 S**
(45) **Date of Patent:** **** Feb. 5, 2008**

(54) **LAMP FOR PROJECTOR**

(75) Inventors: **Gaku Nishizawa**, Nagano (JP); **Masaki Uchida**, Matsumoto (JP); **Tsuyoshi Arai**, Ina (JP)

(73) Assignee: **Seiko Epson Corporation**, Tokyo (JP)

(**) Term: **14 Years**

(21) Appl. No.: **29/262,159**

(22) Filed: **Jun. 28, 2006**

(30) **Foreign Application Priority Data**

May 2, 2006 (JP) 2006-011496

(51) **LOC (8) Cl.** **16-02**

(52) **U.S. Cl.** **D16/235; D16/221**

(58) **Field of Classification Search** D16/221,
D16/237, 225, 235, 236; D26/1, 28, 36,
D26/24; 353/97, 119, 87, 98, 85; 362/294,
362/368, 430, 227; 352/198, 203

See application file for complete search history.

(56) **References Cited**

U.S. PATENT DOCUMENTS

4,390,935 A * 6/1983 Audesse et al. 362/294
D275,683 S * 9/1984 Donnelly et al. D16/235
5,722,753 A * 3/1998 Okada et al. 353/119
5,855,488 A * 1/1999 Heintz et al. 353/119
D420,455 S * 2/2000 Haba et al. D26/1

D424,089 S * 5/2000 Takizawa D16/221
6,461,025 B1 * 10/2002 Payne 362/374
6,523,960 B2 * 2/2003 Watanabe 353/98
7,052,147 B2 * 5/2006 Katsuma et al. 353/119
7,104,654 B2 * 9/2006 Tamaru et al. 353/85

* cited by examiner

Primary Examiner—Adir Aronovich

Assistant Examiner—Wan Laymon

(74) *Attorney, Agent, or Firm*—Oliff & Berridge, PLC

(57) **CLAIM**

The ornamental design for a lamp for projector, as shown and described.

DESCRIPTION

FIG. 1 is a top, front and right side perspective of a lamp for projector;

FIG. 2 is a front view thereof;

FIG. 3 is a top view thereof;

FIG. 4 is a right-side view thereof;

FIG. 5 is a left-side view thereof;

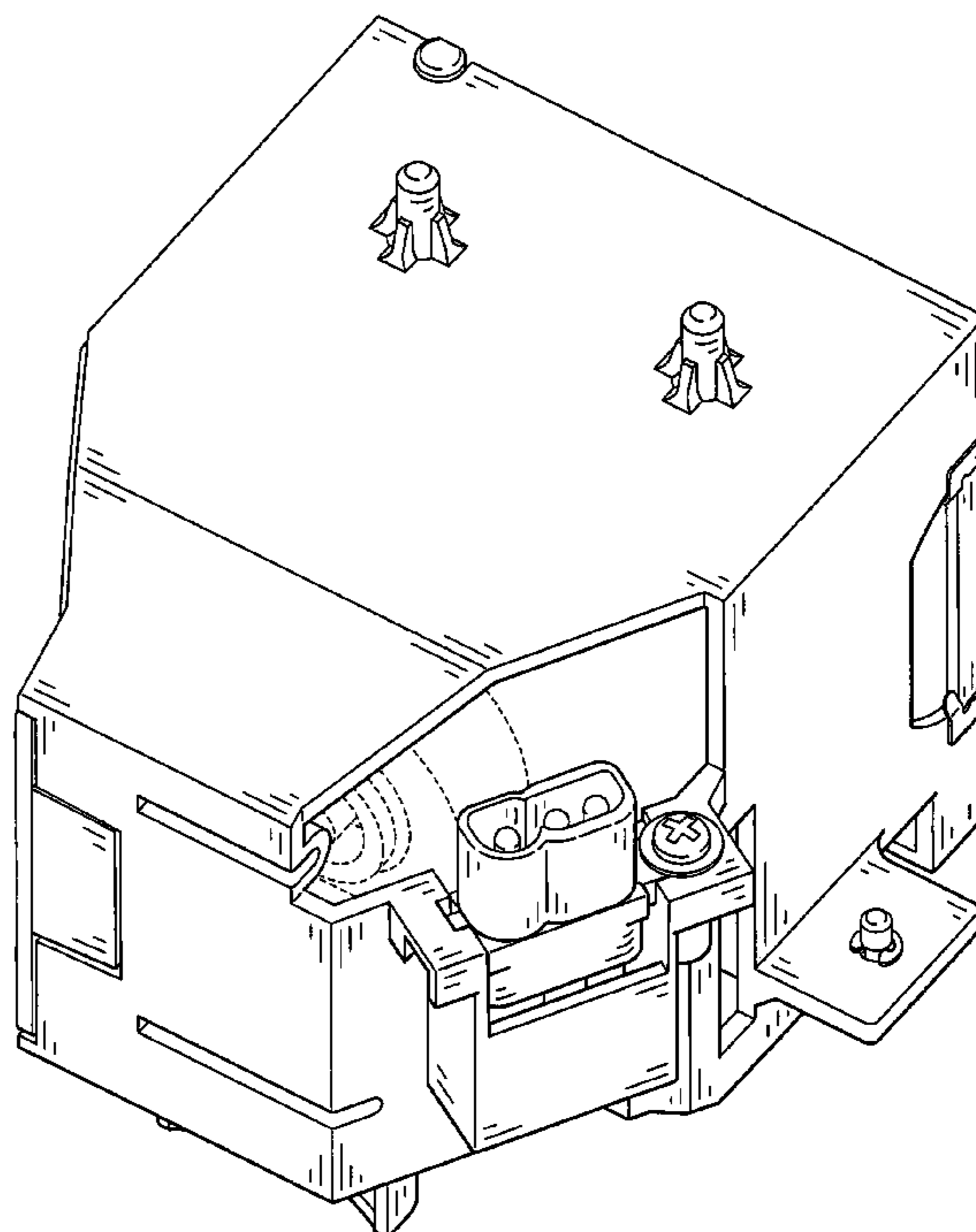
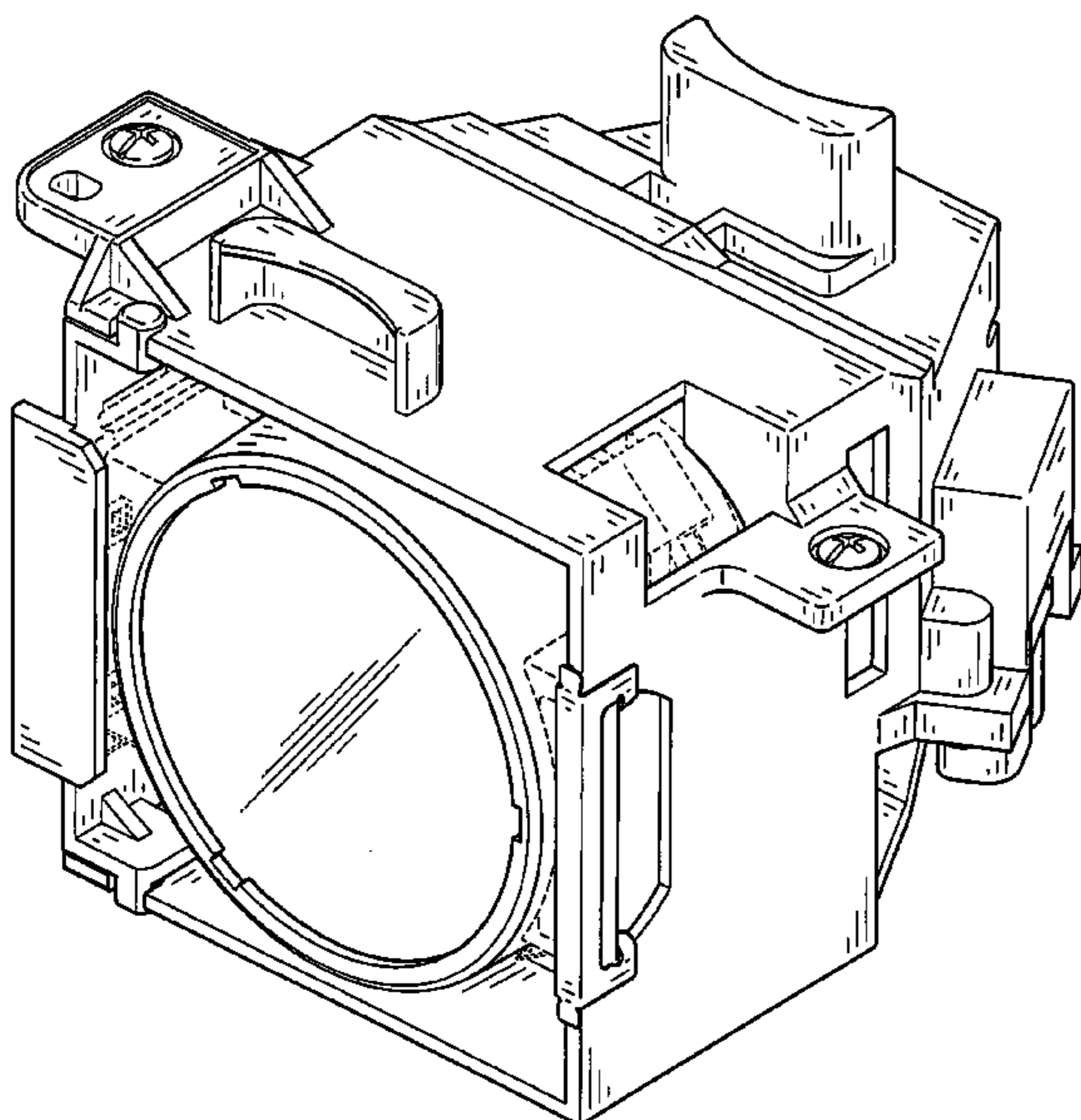
FIG. 6 is a bottom view thereof;

FIG. 7 is a rear view thereof; and,

FIG. 8 is a rear bottom perspective view thereof.

The broken lines depict environmental subject matter only and form no part of the claimed design.

1 Claim, 8 Drawing Sheets



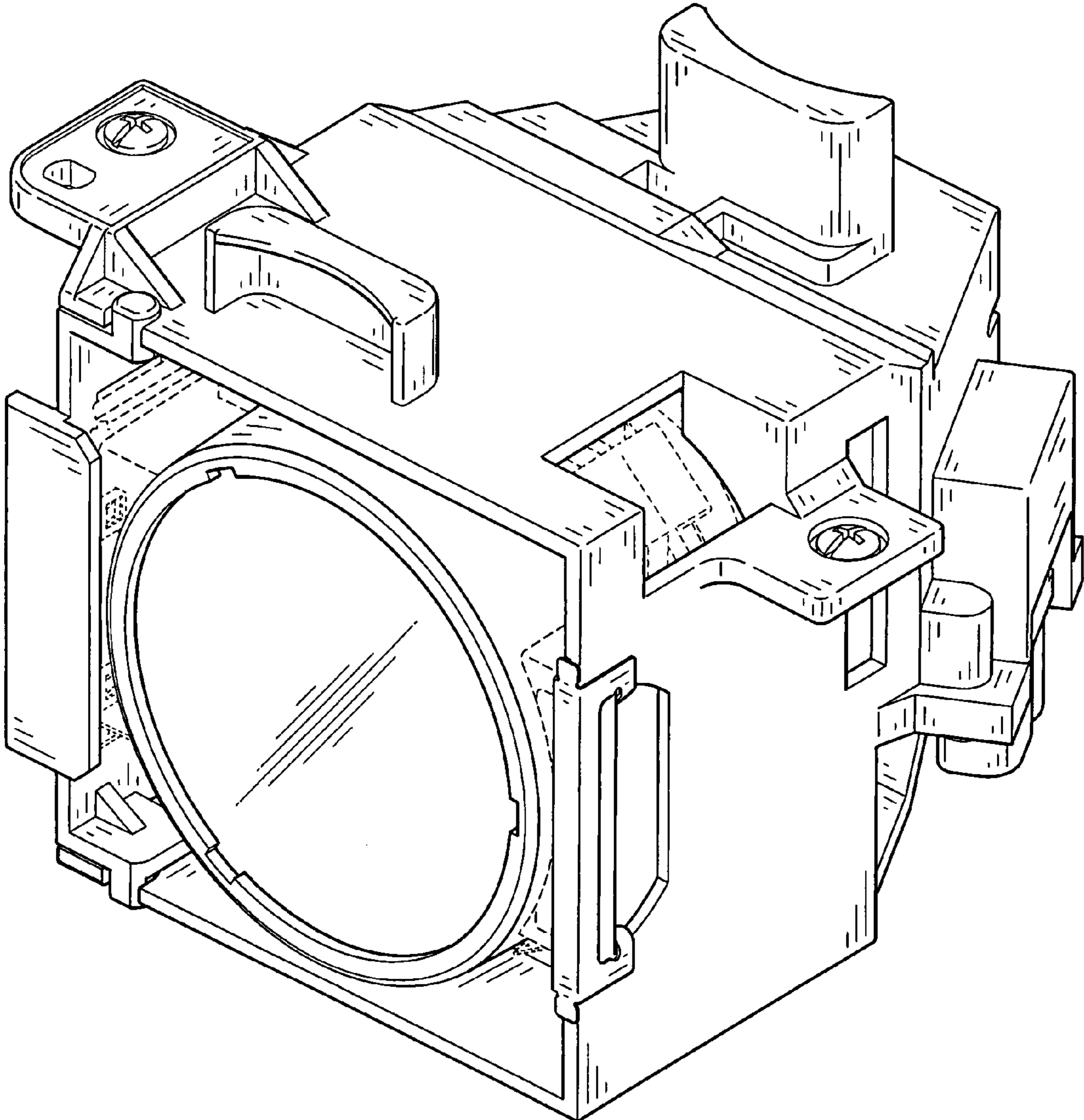


FIG. 1

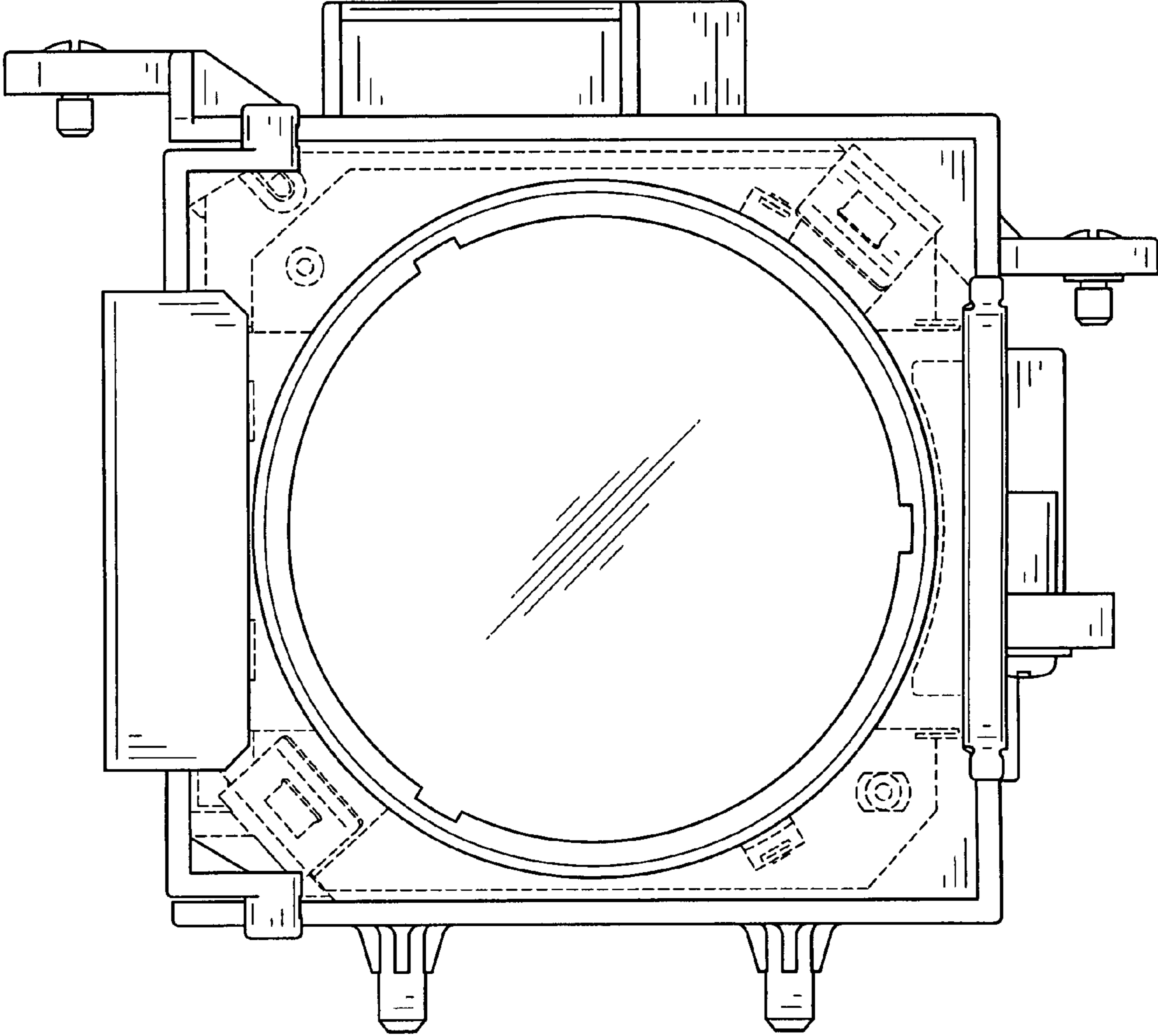


FIG. 2

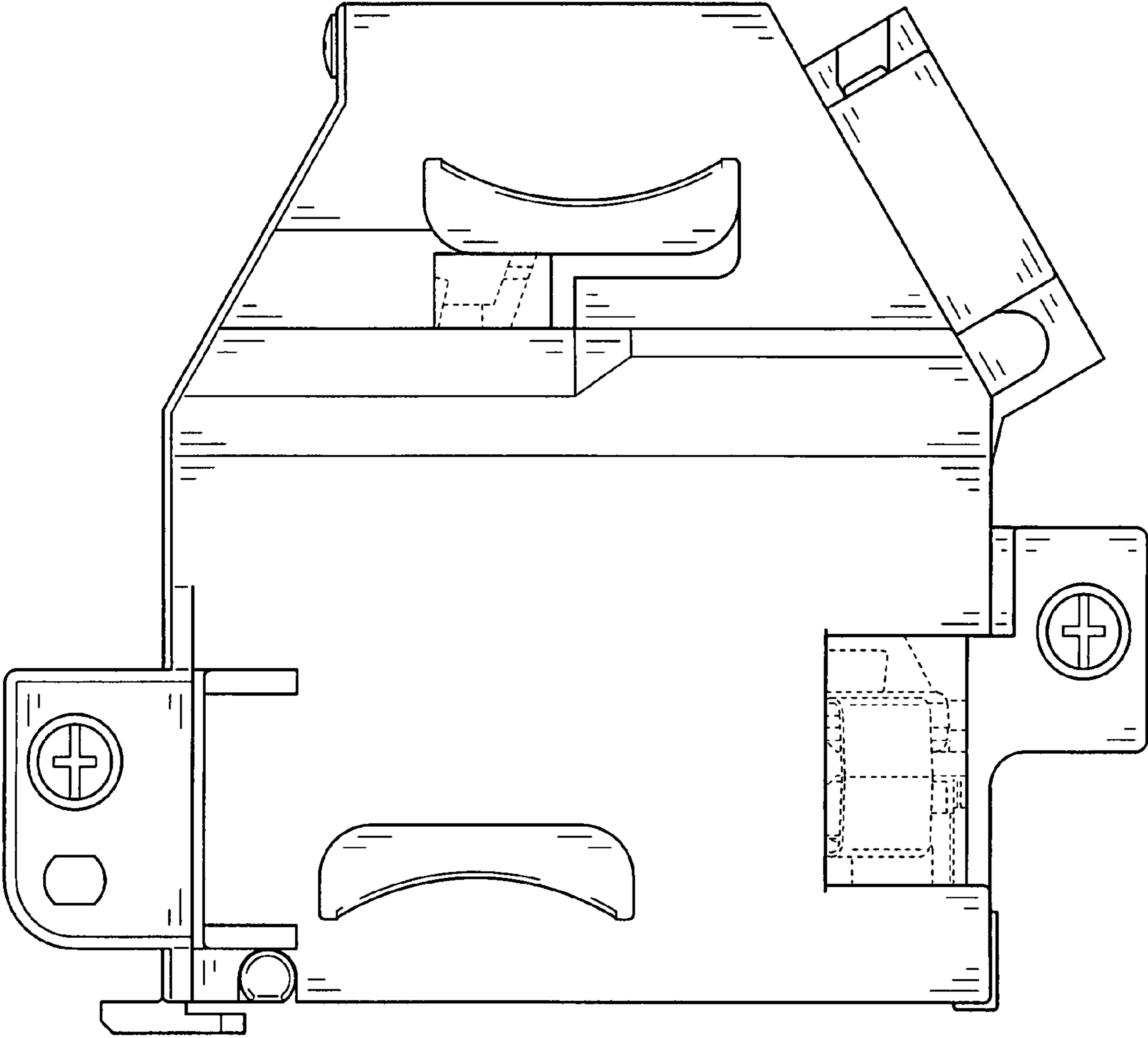


FIG. 3

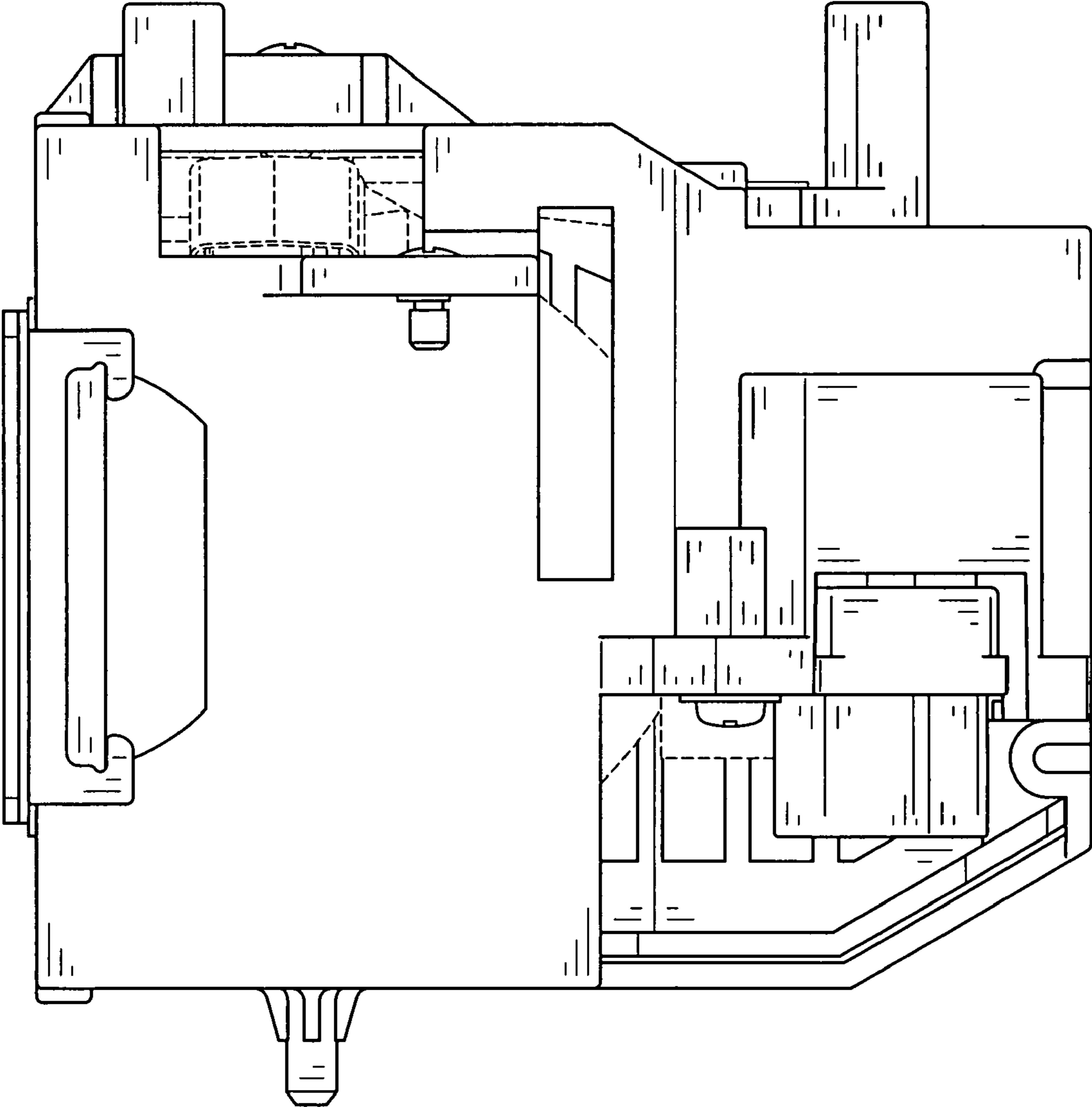


FIG. 4

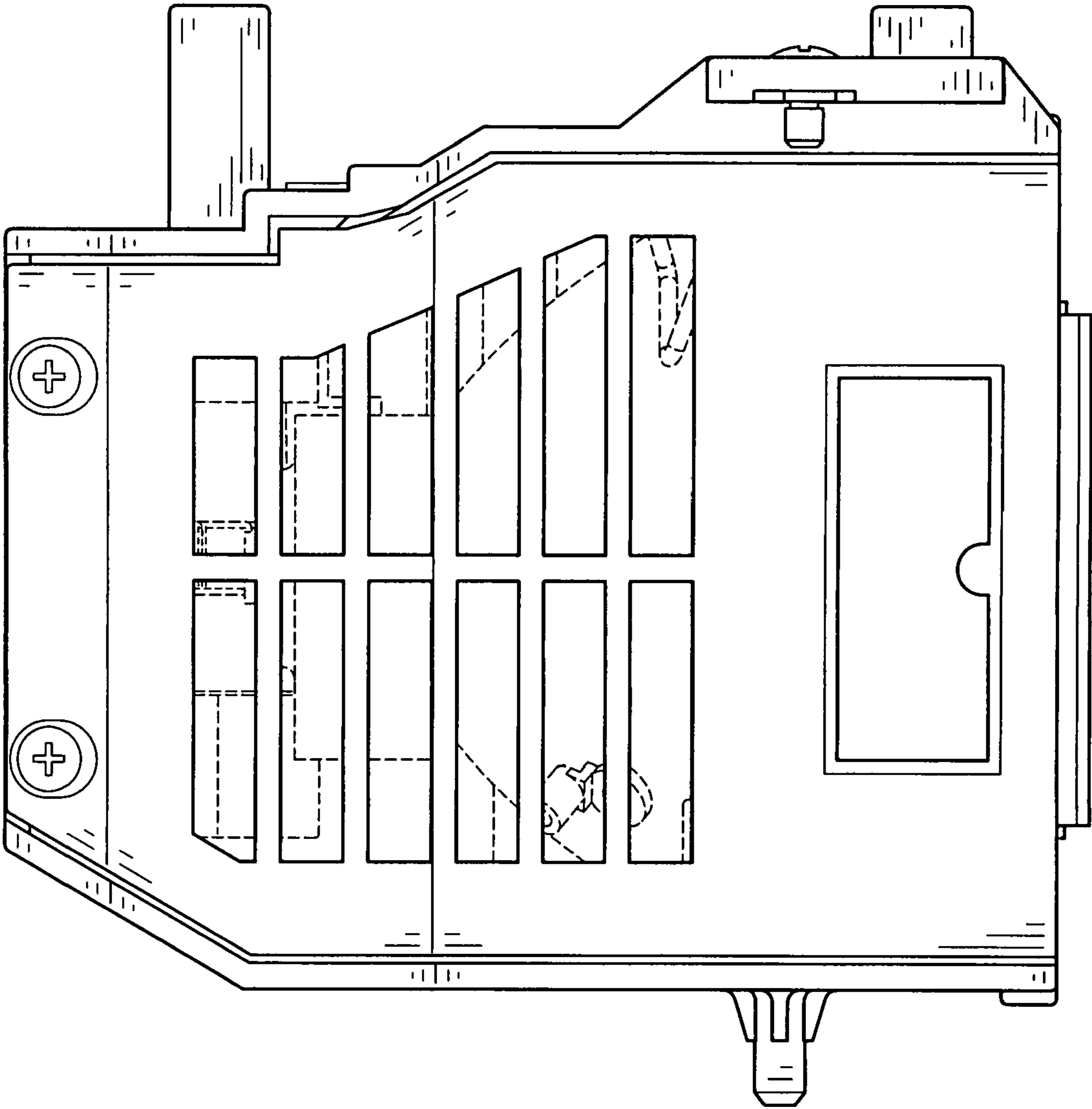


FIG. 5

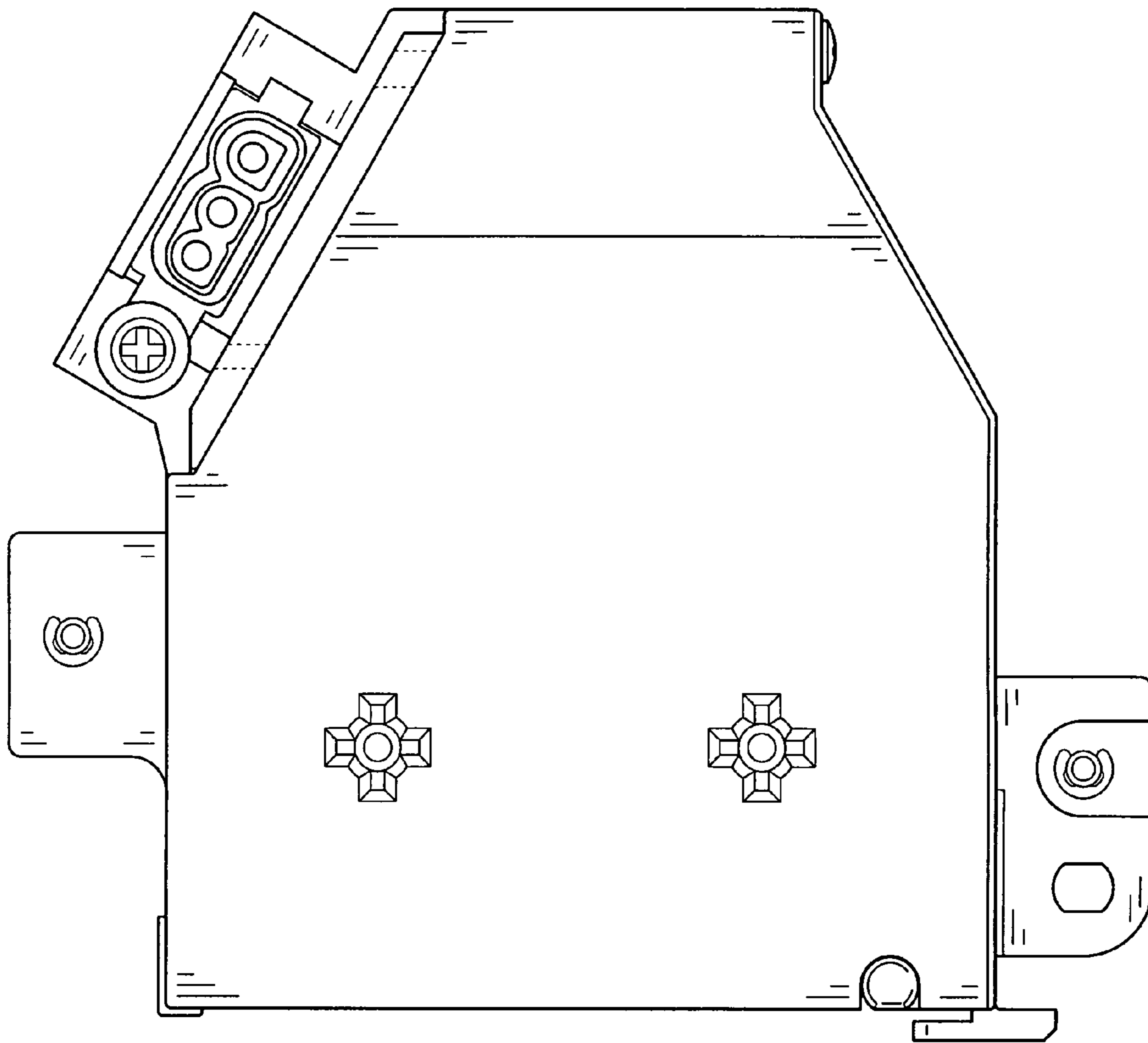


FIG. 6

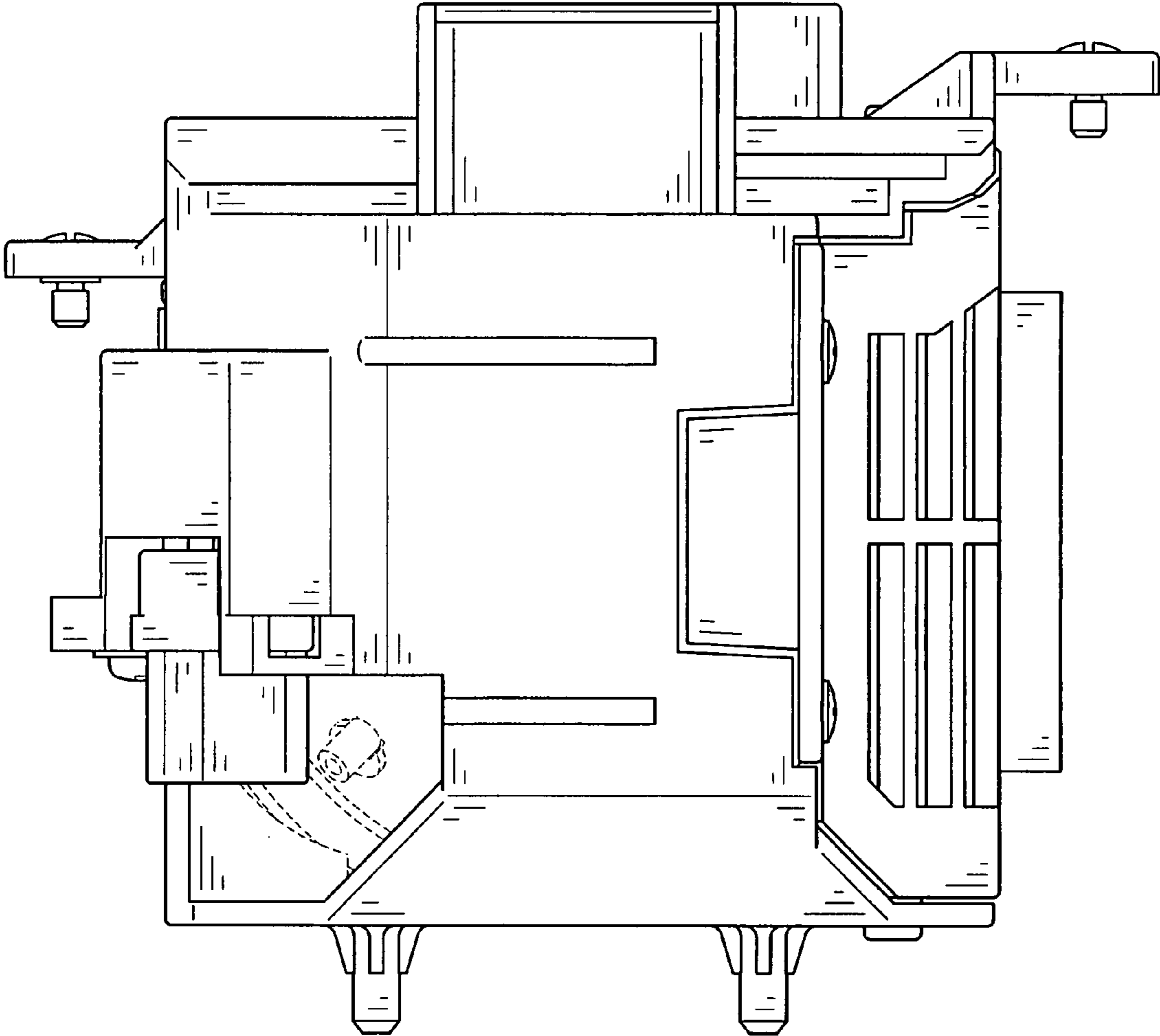


FIG. 7

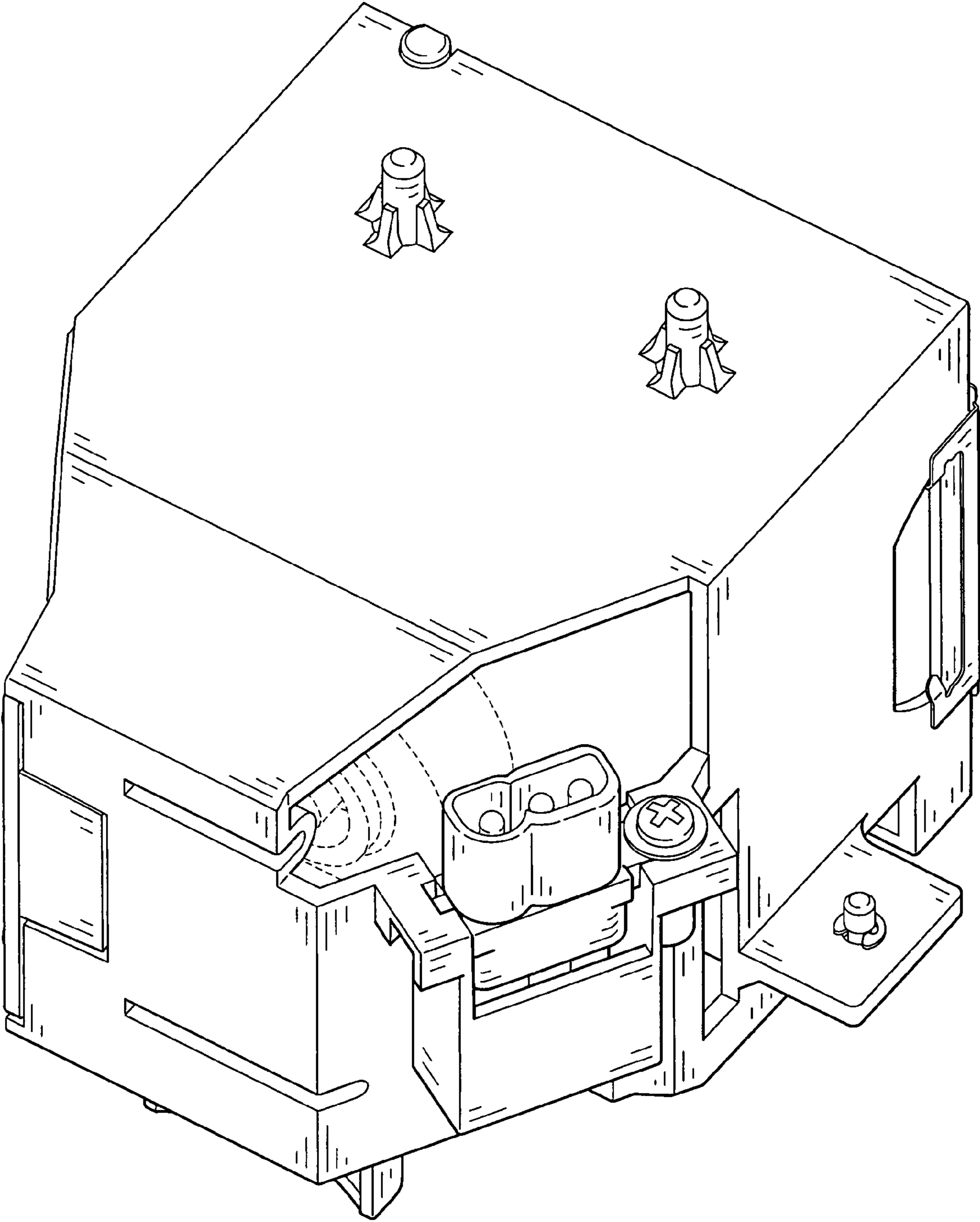


FIG. 8