



US00D561231S

(12) **United States Design Patent**
Chu

(10) **Patent No.:** **US D561,231 S**

(45) **Date of Patent:** **** Feb. 5, 2008**

(54) **PROJECTOR**

(76) Inventor: **James Chu**, 381 Brea Canyon Rd.,
Walnut, CA (US) 91789

(**) Term: **14 Years**

(21) Appl. No.: **29/263,435**

(22) Filed: **Jul. 24, 2006**

(51) **LOC (8) Cl.** **16-02**

(52) **U.S. Cl.** **D16/230; D16/225**

(58) **Field of Classification Search** D16/205,
D16/208, 213, 217, 221, 225, 229, 230, 231,
D16/234, 235; D21/514; 353/70, 100, 101,
353/115, 119, 122

See application file for complete search history.

(56) **References Cited**

U.S. PATENT DOCUMENTS

- D414,794 S * 10/1999 Isono D16/230
- D437,337 S * 2/2001 Kawasaki et al. D16/230
- D443,631 S * 6/2001 Goto et al. D16/231
- D457,179 S * 5/2002 Saeki et al. D16/230

D482,381 S * 11/2003 Morishita et al. D16/231

* cited by examiner

Primary Examiner—Ian Simmons

Assistant Examiner—Wan Laymon

(74) *Attorney, Agent, or Firm*—Birch, Stewart, Kolasch &
Birch, LLP

(57) **CLAIM**

The ornamental design for a “projector,” as shown and described.

DESCRIPTION

FIG. 1 is a front perspective view of a projector showing my new design;

FIG. 2 is a front view thereof;

FIG. 3 is a back view thereof;

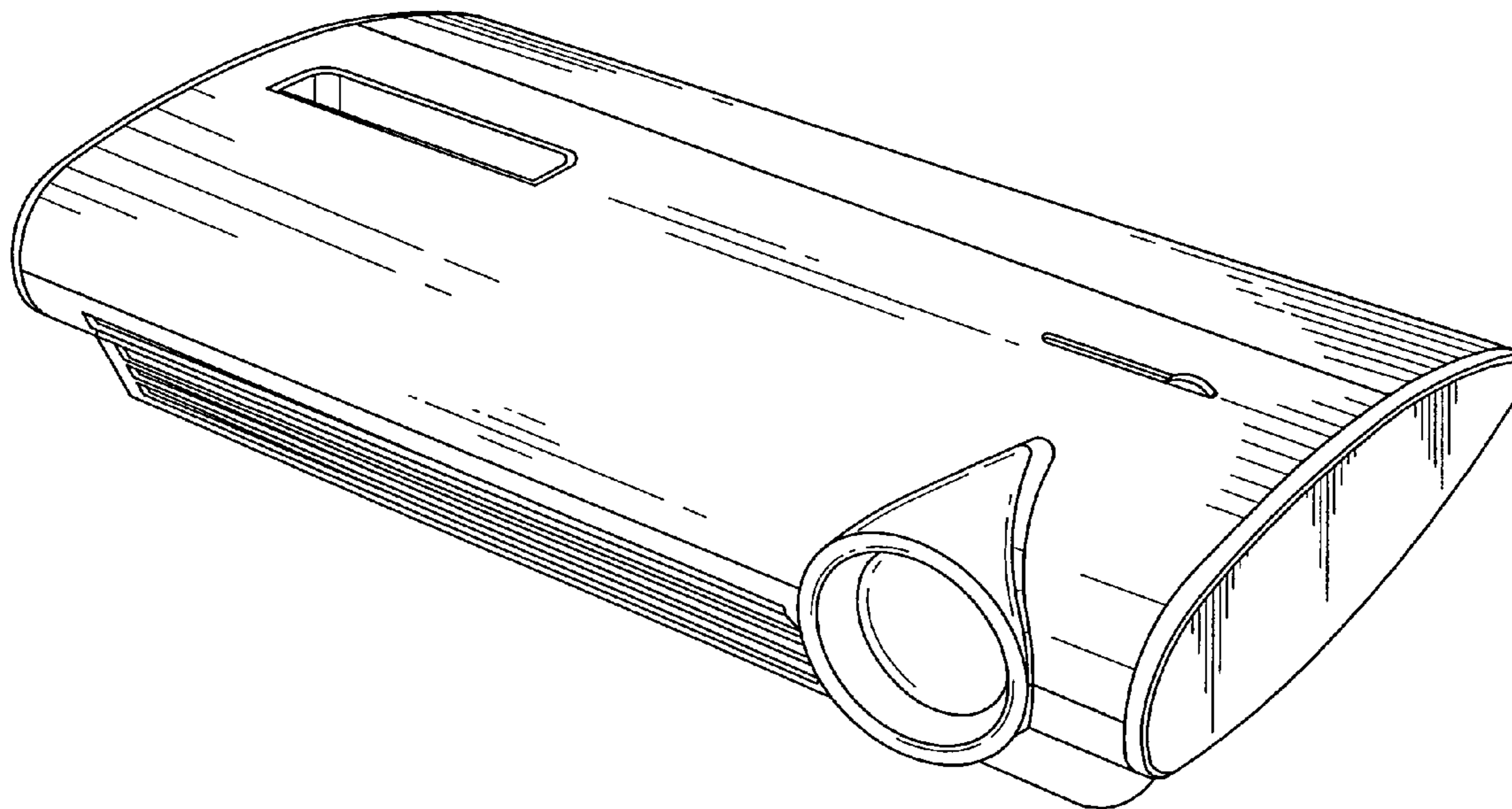
FIG. 4 is a left side view thereof;

FIG. 5 is a right side view thereof;

FIG. 6 is a top plan view thereof; and,

FIG. 7 is a bottom view thereof.

1 Claim, 7 Drawing Sheets



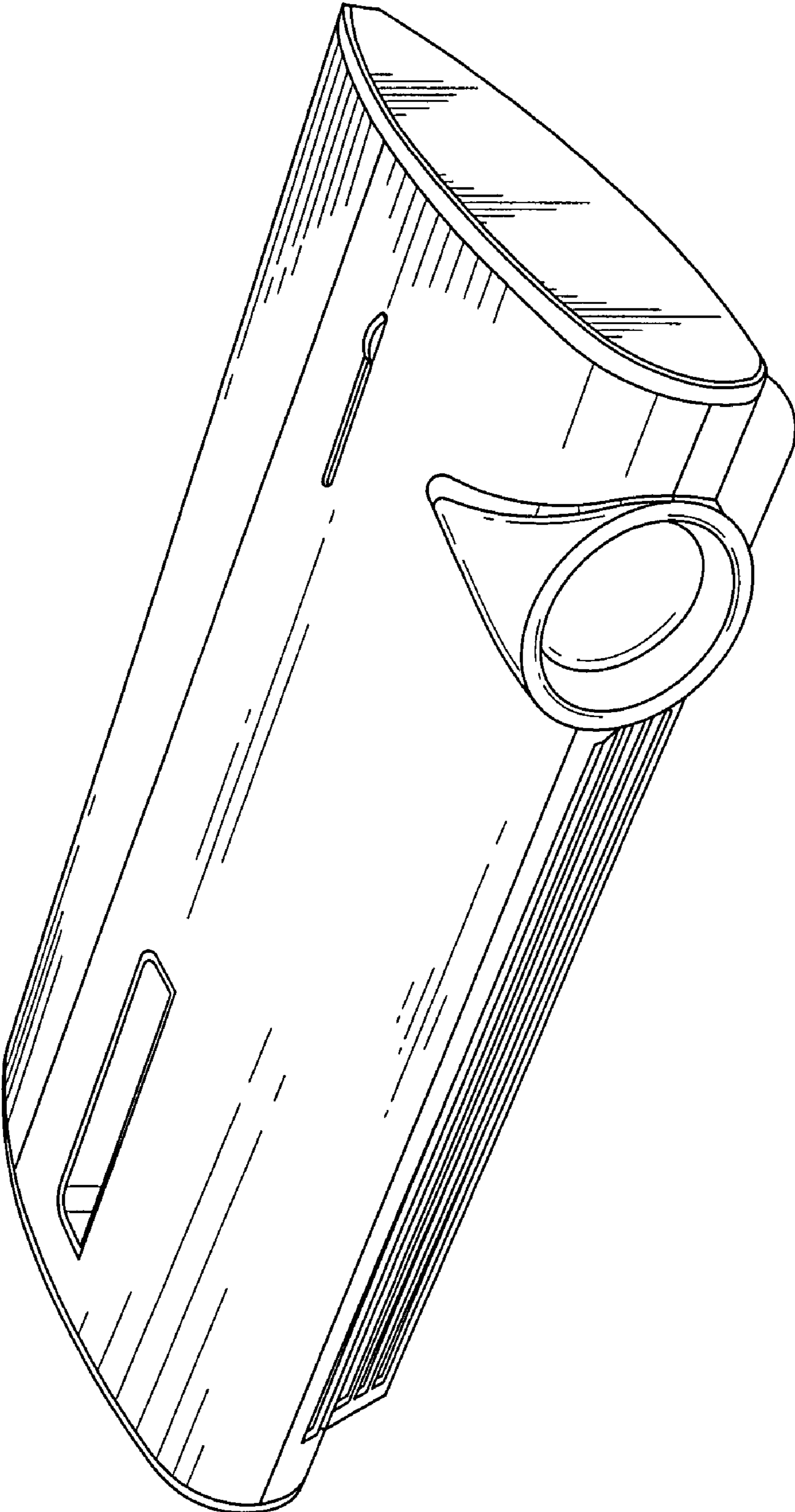


FIG.1

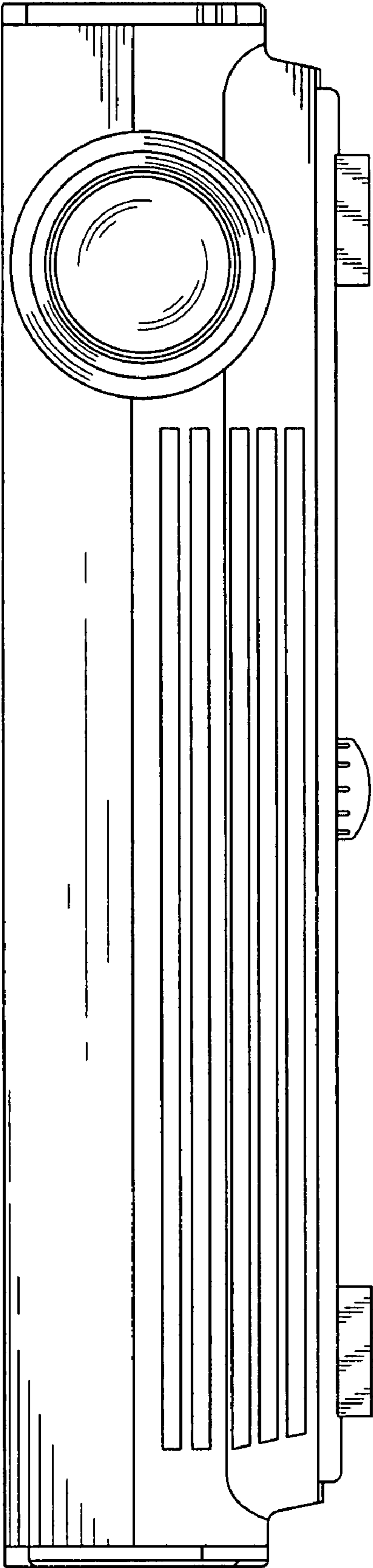


FIG.2

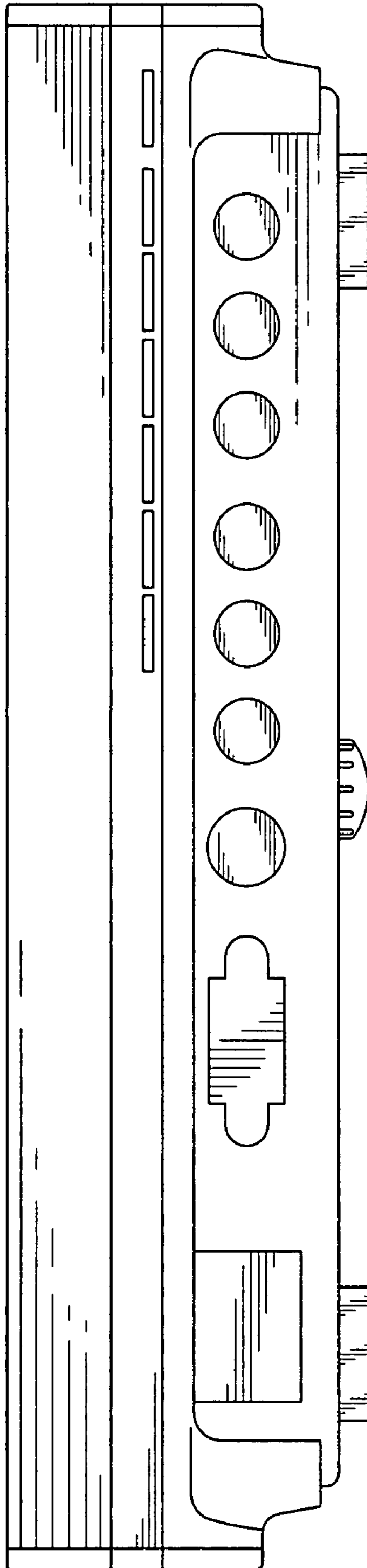


FIG.3

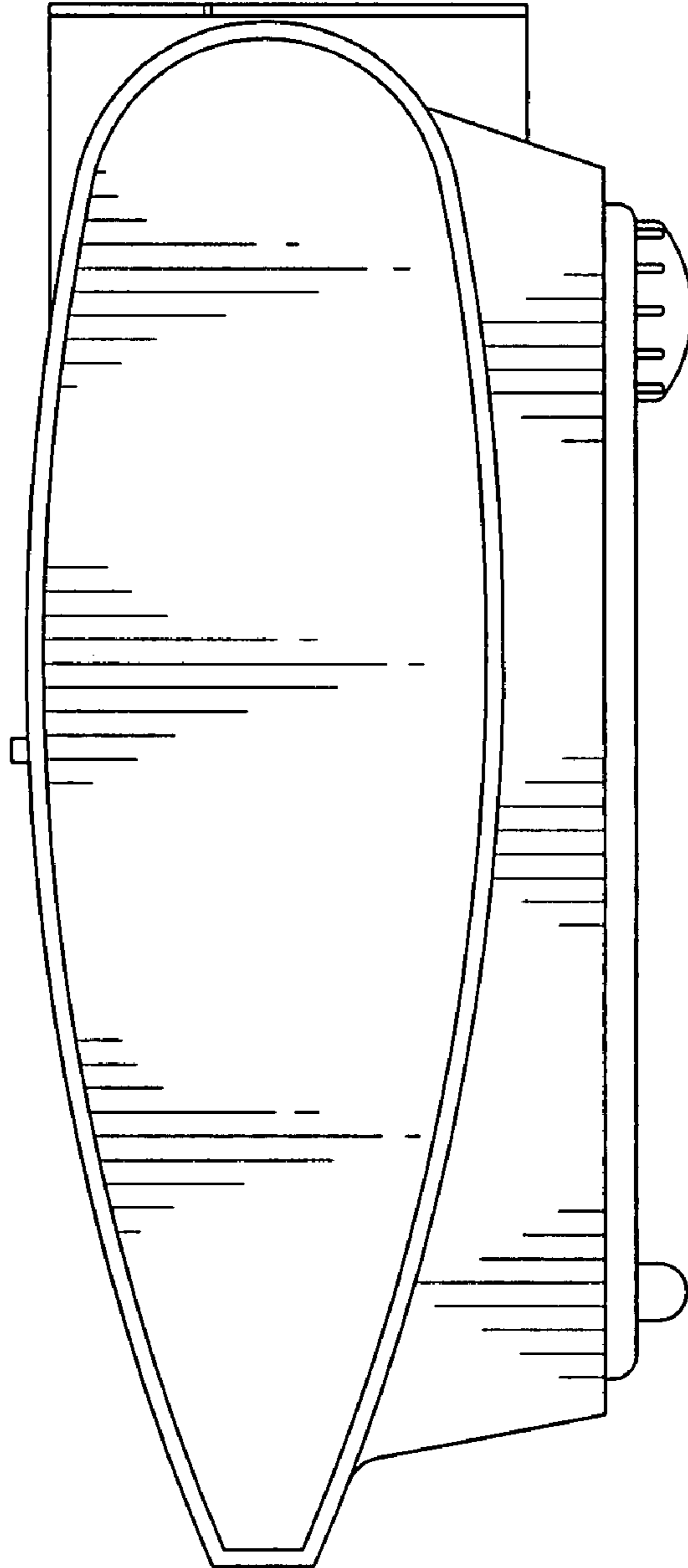


FIG.4

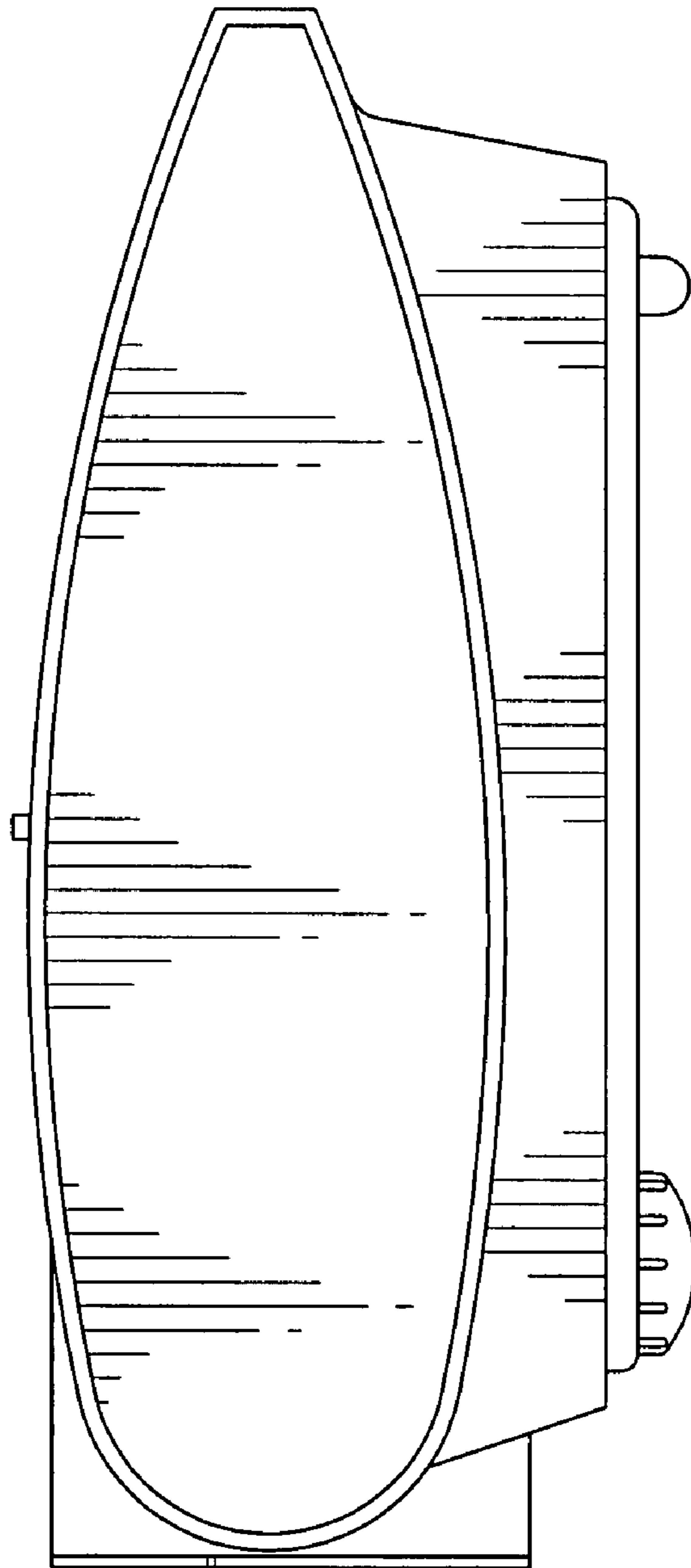


FIG.5

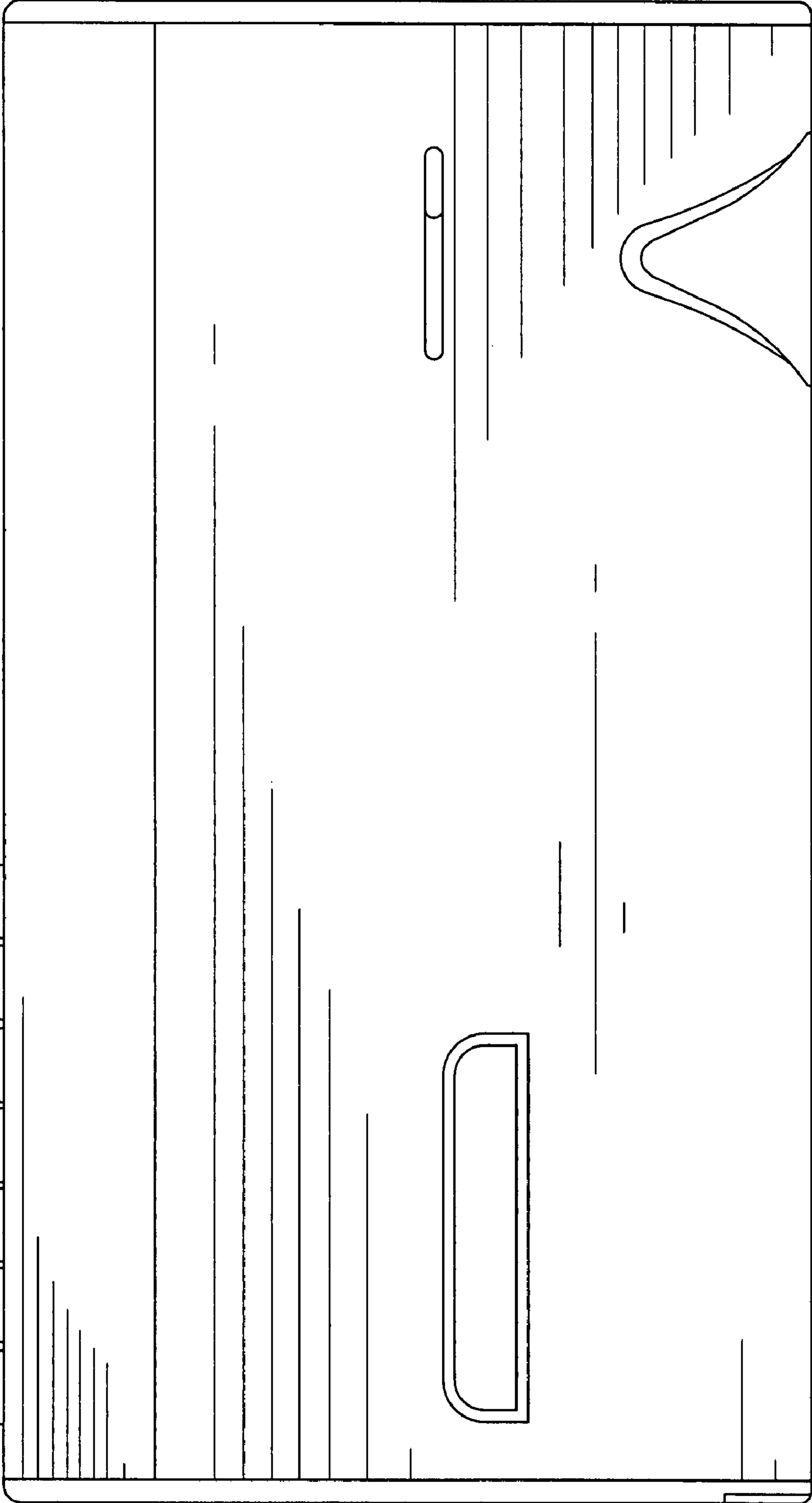


FIG.6

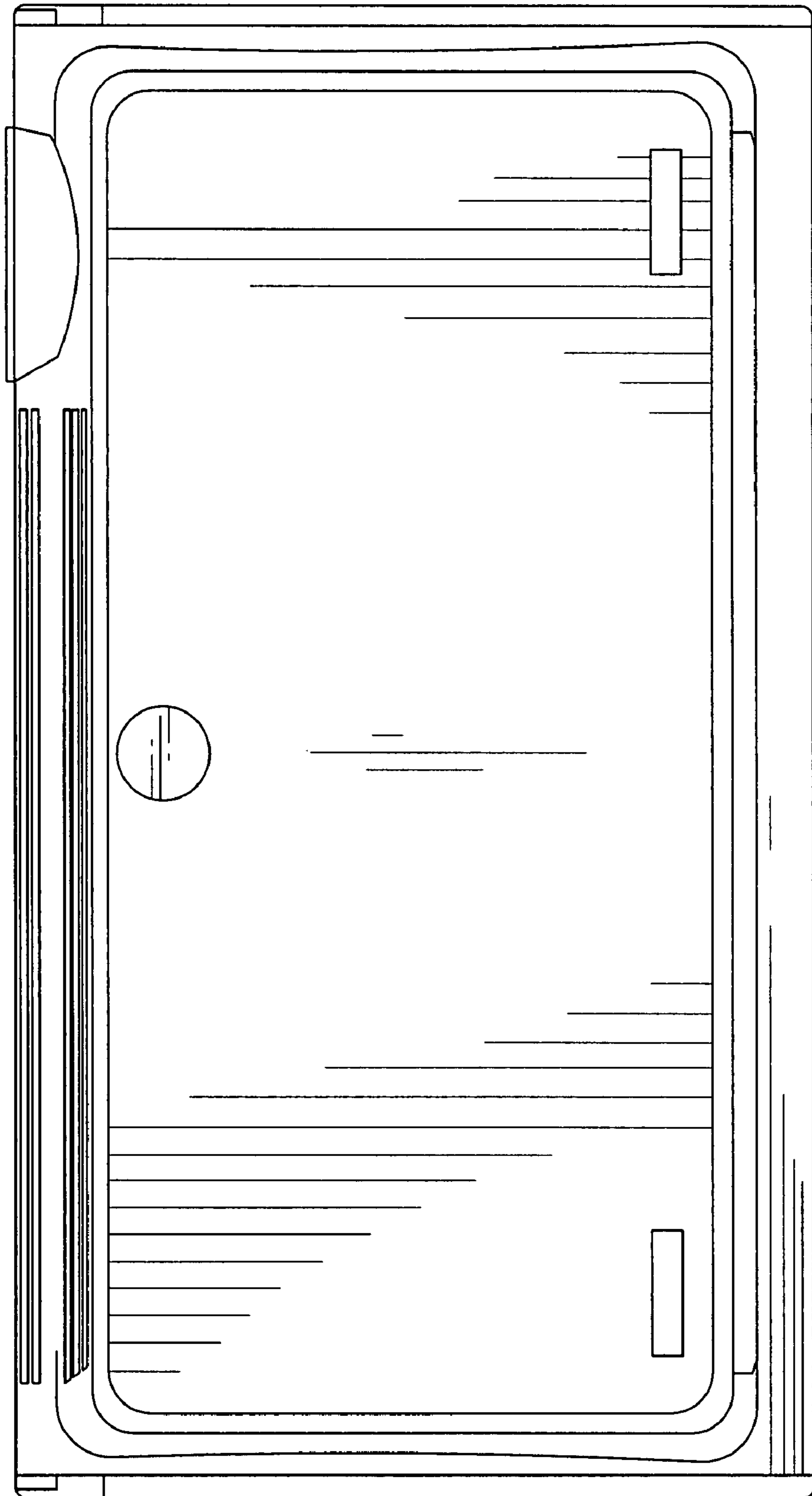


FIG.7