

US00D561230S

(12) **United States Design Patent**
Song

(10) **Patent No.:** **US D561,230 S**

(45) **Date of Patent:** **** Feb. 5, 2008**

(54) **DIGITAL CAMERA**

(75) Inventor: **Xiaofeng Song**, Tokyo (JP)

(73) Assignee: **Sony Corporation**, Tokyo (JP)

(**) Term: **14 Years**

(21) Appl. No.: **29/271,148**

(22) Filed: **Jan. 11, 2007**

(30) **Foreign Application Priority Data**

Jul. 21, 2006 (JP) D2006-019170

(51) **LOC (8) Cl.** **16-05**

(52) **U.S. Cl.** **D16/219; D16/212**

(58) **Field of Classification Search** D16/200–205,
D16/208–209, 212, 218–219; 348/373–376;
358/909.1; 396/349, 448, 535–541
See application file for complete search history.

(56) **References Cited**

U.S. PATENT DOCUMENTS

D450,741 S *	11/2001	Oka	D16/219
D452,972 S *	1/2002	Suzuki et al.	D16/219
D494,205 S	8/2004	Kawase		
D496,678 S	9/2004	Kawase		
D508,065 S *	8/2005	Dow et al.	D16/202
D524,836 S *	7/2006	Morita	D16/202
D536,721 S *	2/2007	Miyashita	D16/219
D542,322 S *	5/2007	Miyashita	D16/218
D542,324 S *	5/2007	Takagi	D16/219

D543,228 S *	5/2007	Miyashita	D16/219
D544,011 S *	6/2007	Tanio	D16/219
2003/0152381 A1 *	8/2003	Tanabe	396/448
2006/0165407 A1 *	7/2006	Ueda et al.	396/539

* cited by examiner

Primary Examiner—Ian Simmons

Assistant Examiner—Wan Laymon

(74) *Attorney, Agent, or Firm*—Rader, Fishman & Grauer, PLLC

(57) **CLAIM**

The ornamental design for a digital camera, as shown and described.

DESCRIPTION

FIG. 1 is a perspective view of a digital camera showing my new design;

FIG. 2 is a front elevational view thereof;

FIG. 3 is a left side elevational view thereof;

FIG. 4 is a right side elevational view thereof;

FIG. 5 is a top plan view thereof;

FIG. 6 is a bottom plan view thereof; and

FIG. 7 is a front elevational view thereof in a closed position; and,

FIG. 8 is a rear elevational view thereof.

Portions shown as broken lines are for illustrative purpose only and form no part of the claimed design.

1 Claim, 8 Drawing Sheets

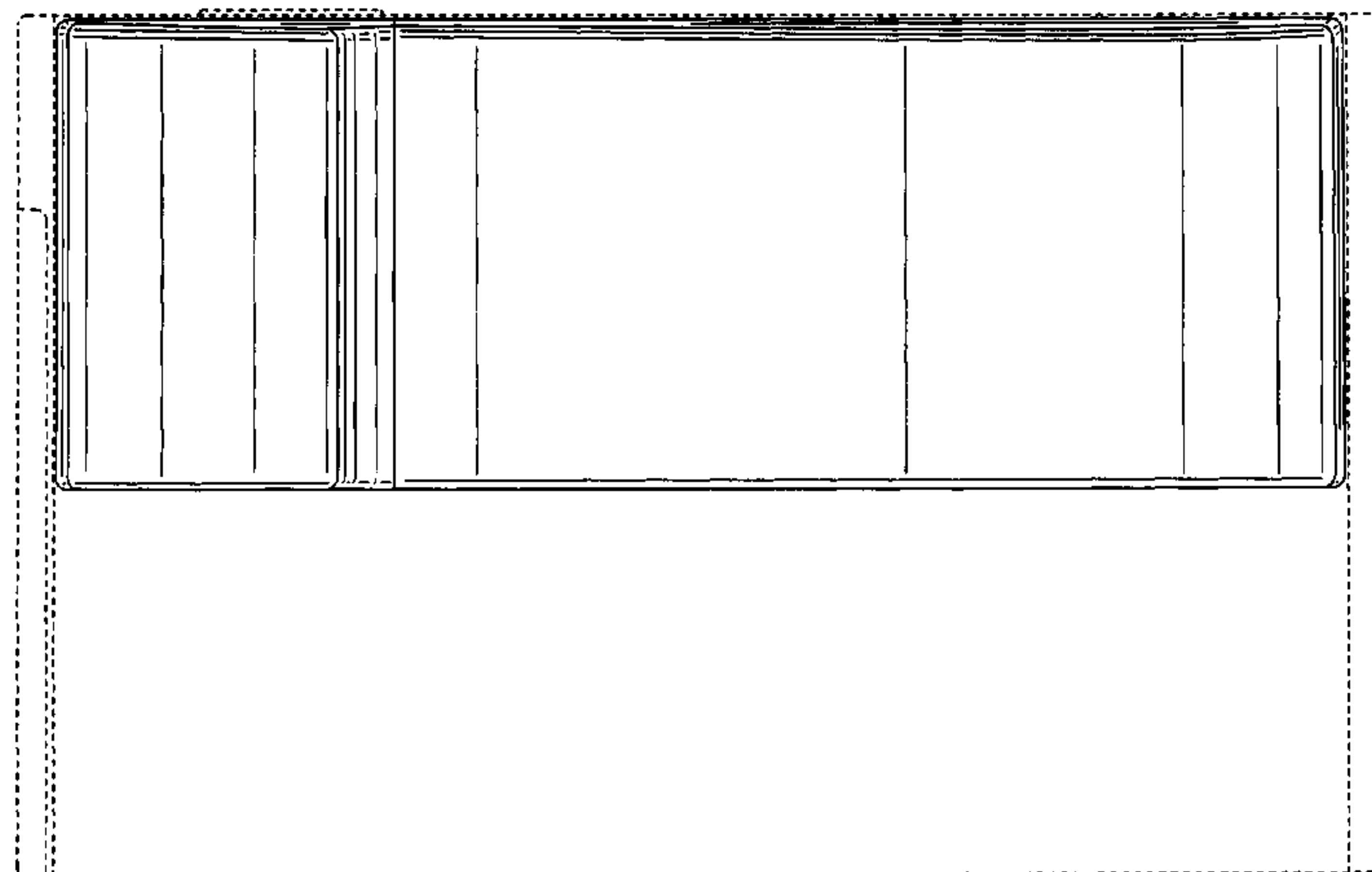
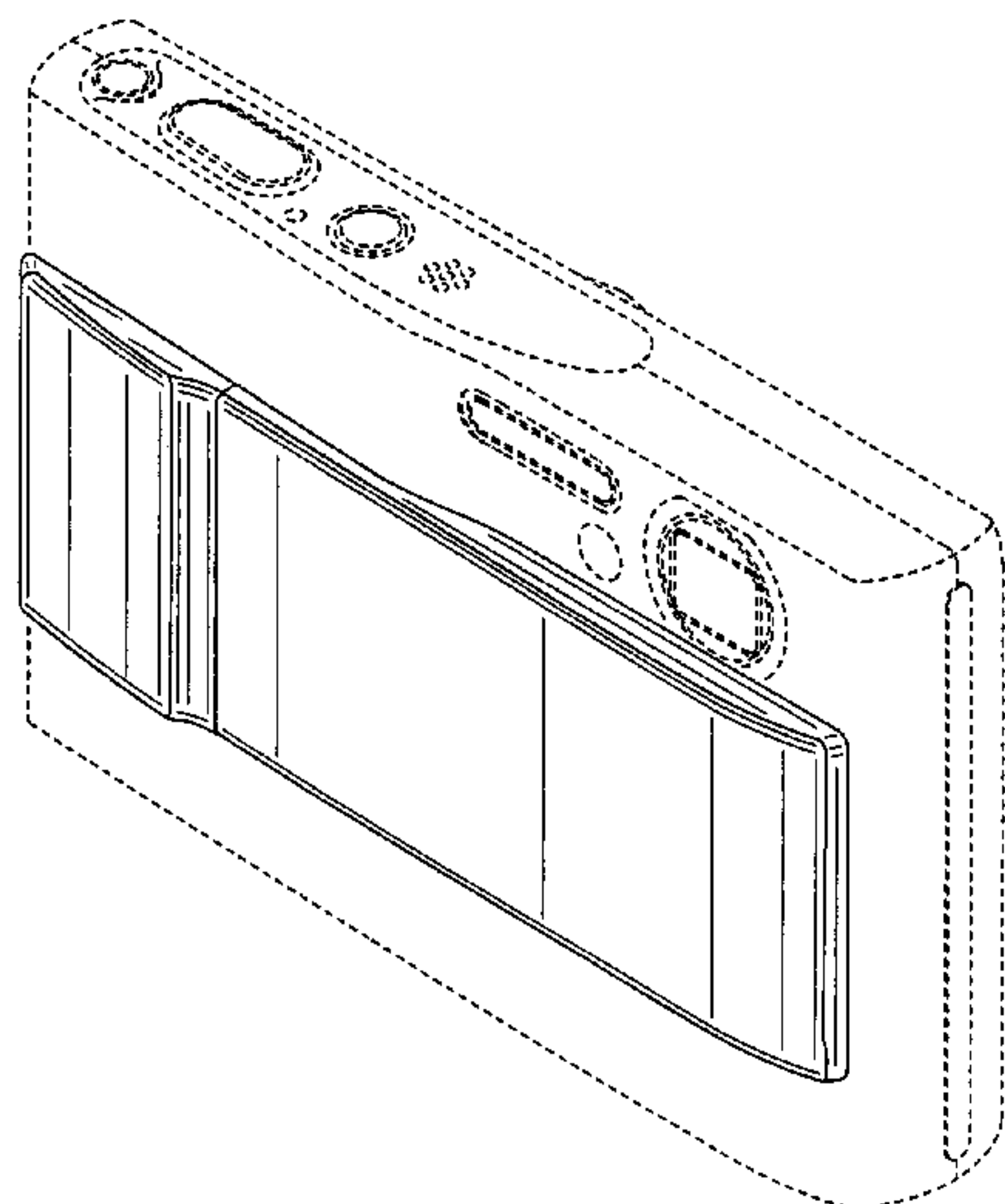


Fig.1

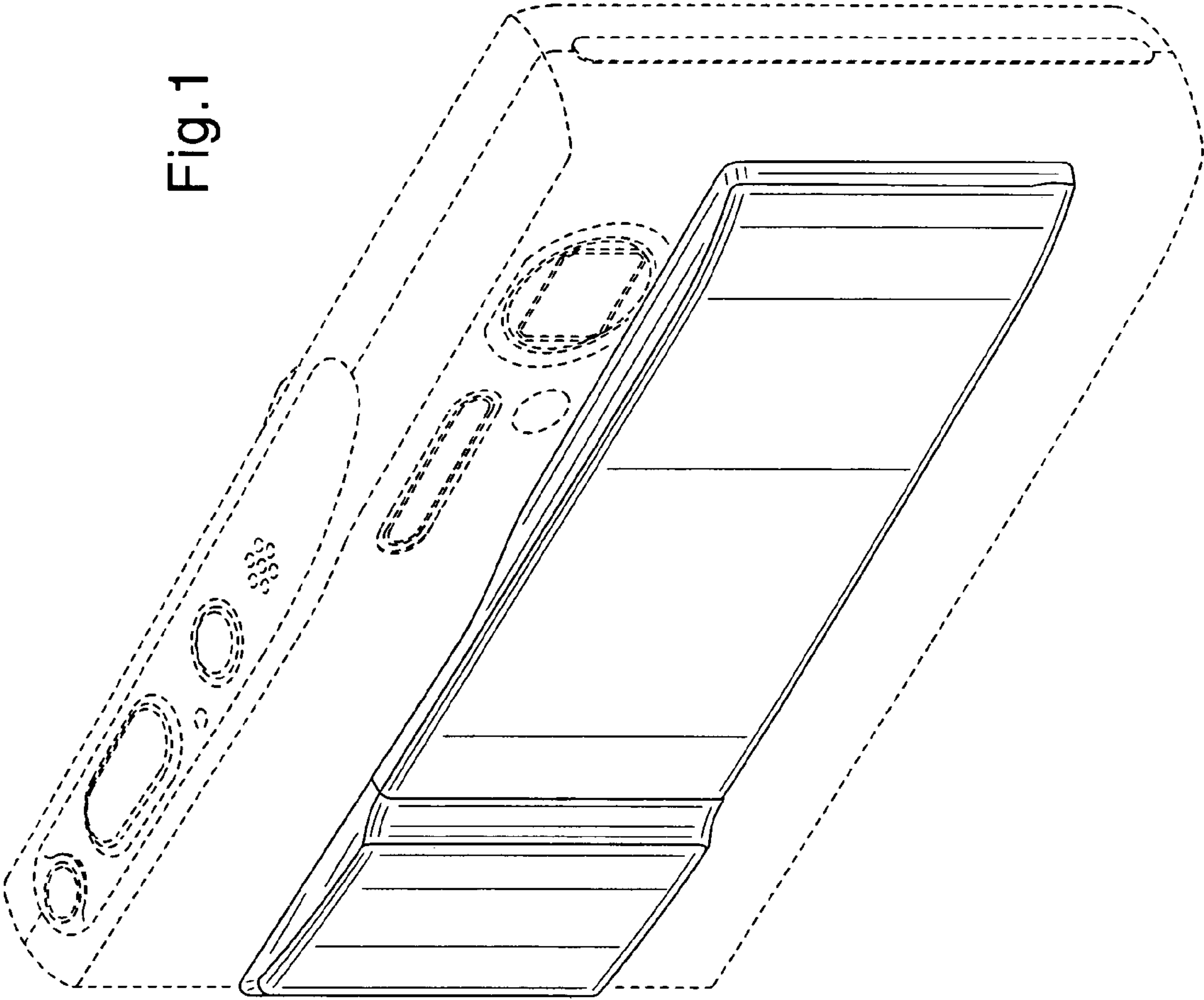


Fig.2

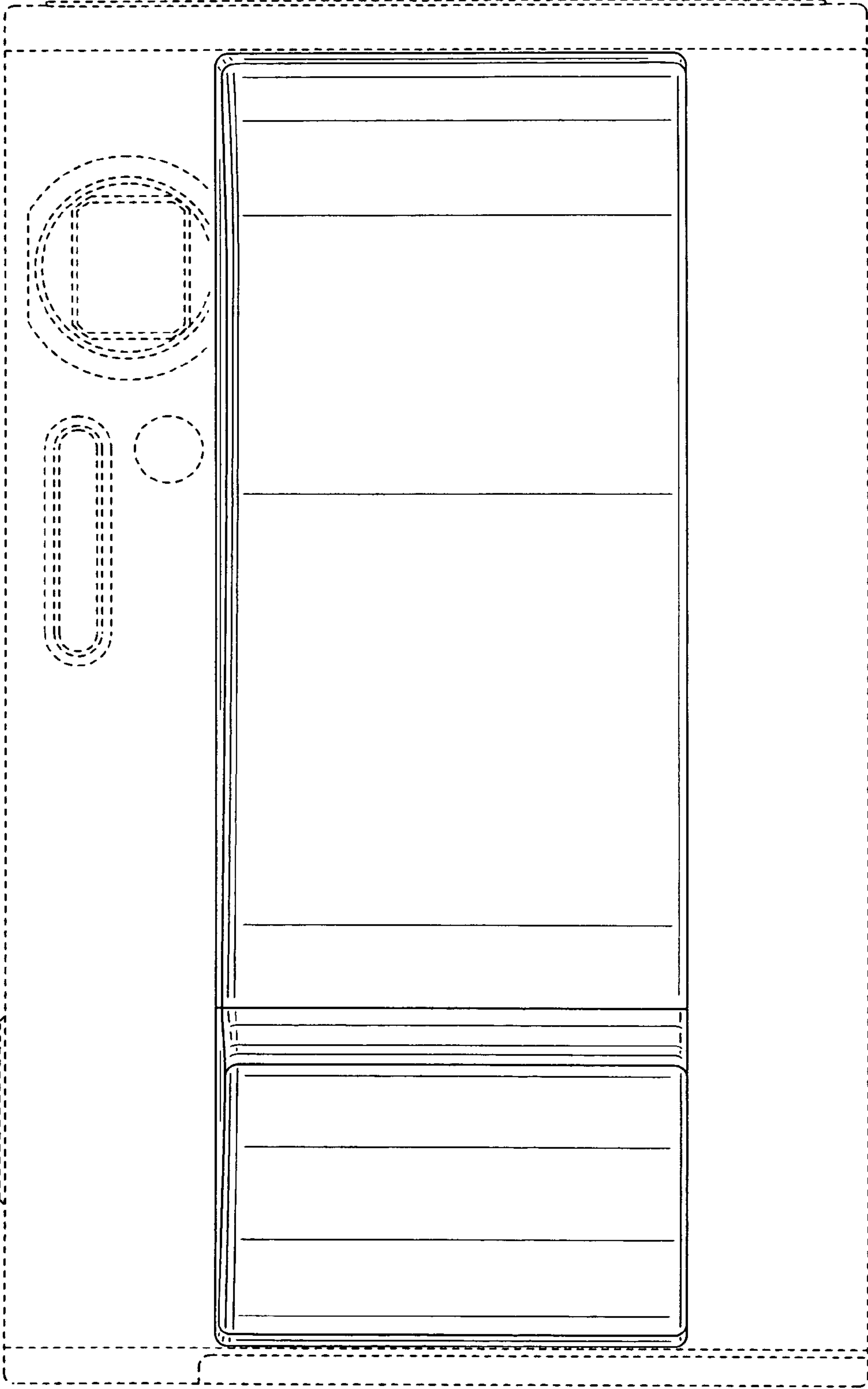


Fig. 3

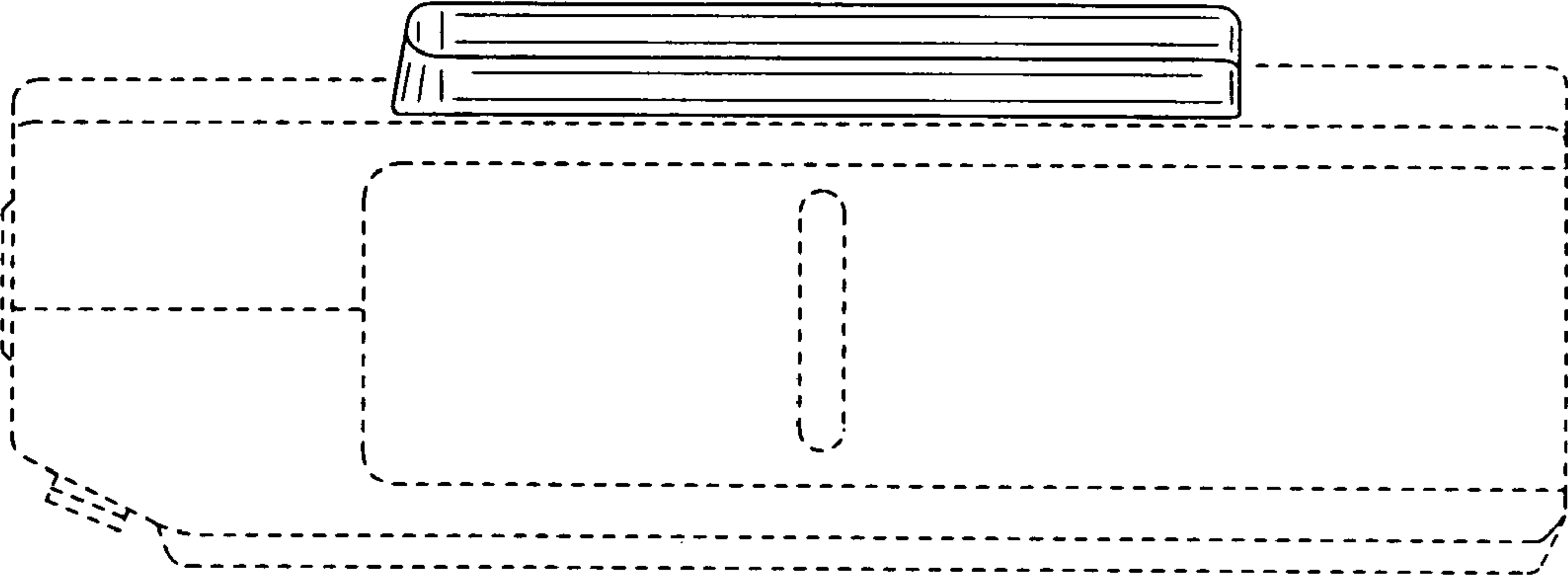


Fig.4

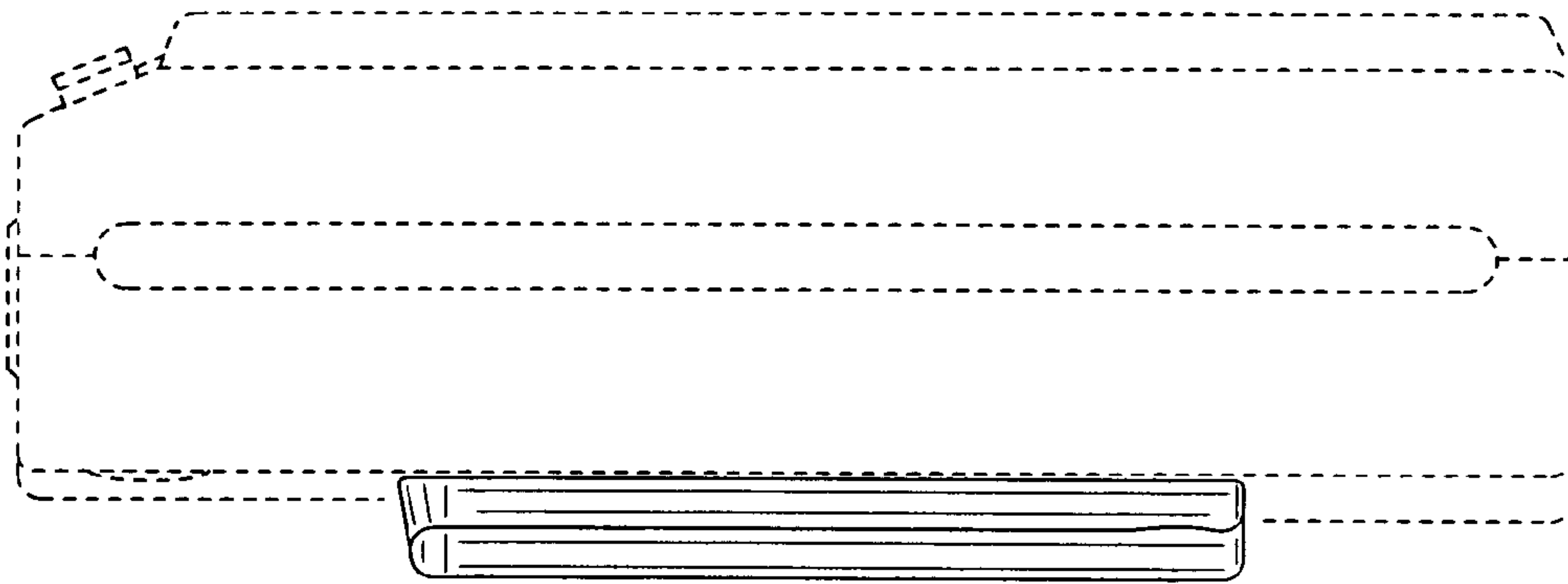


Fig.5

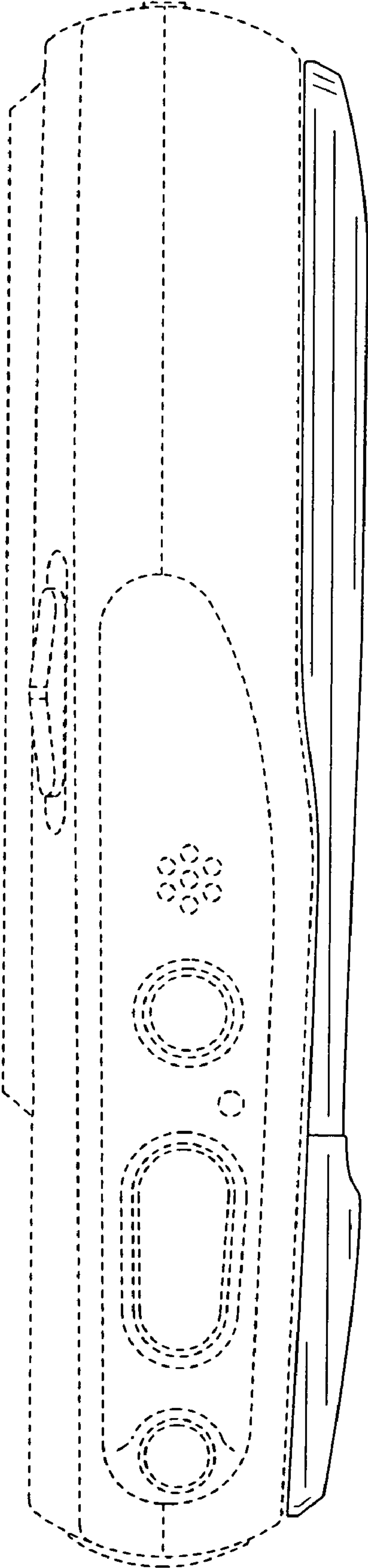


Fig.6

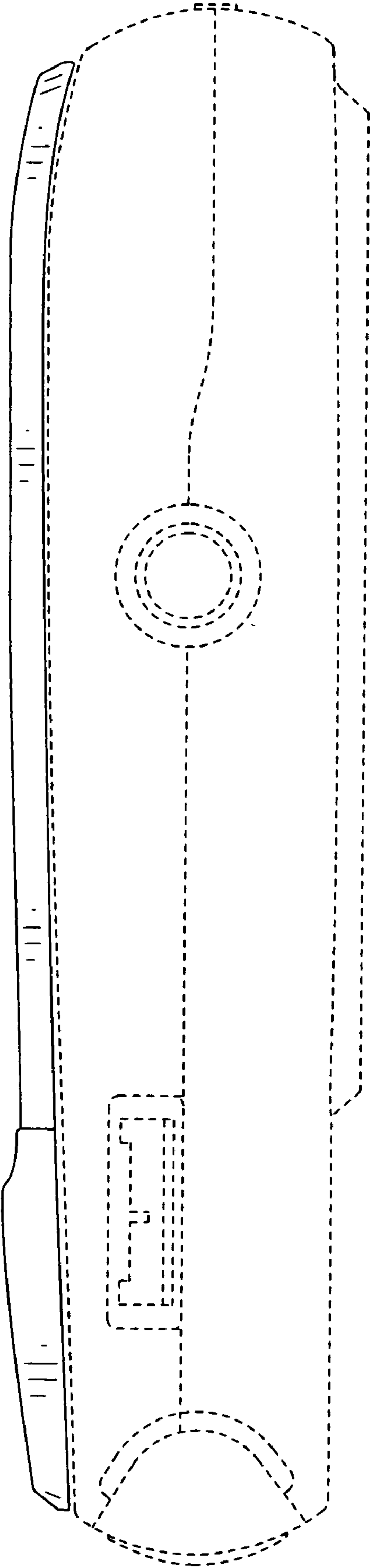


Fig. 7

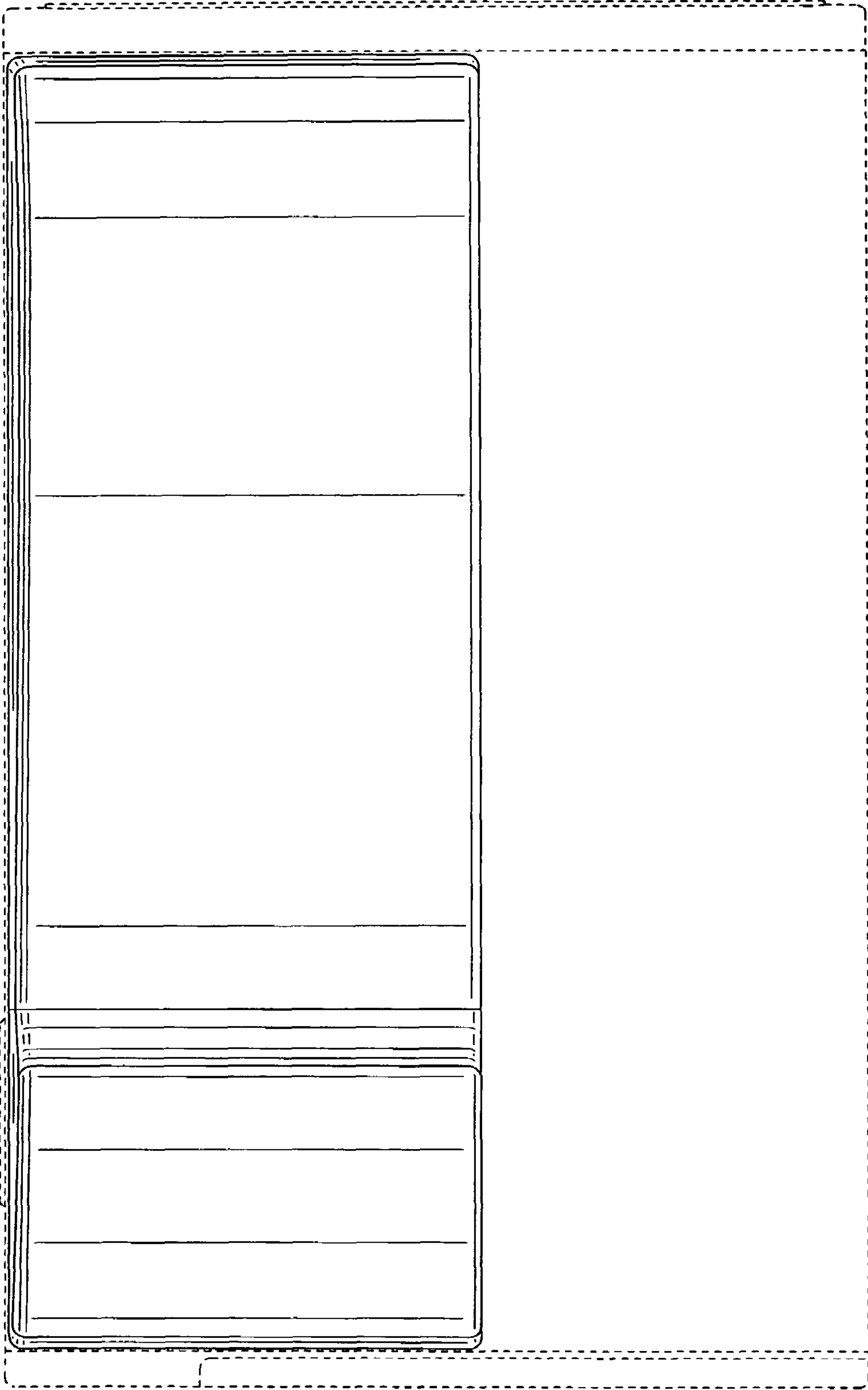


Fig. 8

