

US00D561229S

(12) **United States Design Patent**  
**Sato**

(10) **Patent No.:** **US D561,229 S**

(45) **Date of Patent:** **\*\* Feb. 5, 2008**

(54) **ELECTRONIC CAMERA**

(75) Inventor: **Jun Sato**, Tokyo (JP)

(73) Assignee: **Fujifilm Corporation**, Tokyo (JP)

(\*\*) Term: **14 Years**

(21) Appl. No.: **29/263,426**

(22) Filed: **Jul. 24, 2006**

(30) **Foreign Application Priority Data**

Mar. 3, 2006 (JP) ..... 2006-005405

(51) **LOC (8) Cl.** ..... **16-05**

(52) **U.S. Cl.** ..... **D16/219; D16/202**

(58) **Field of Classification Search** ..... D16/200–206,  
D16/208–209, 217–219, 245; 348/373–376,  
348/143; 396/6, 349, 448, 535–541; 358/906,  
358/909.1

See application file for complete search history.

(56) **References Cited**

U.S. PATENT DOCUMENTS

- D437,869 S \* 2/2001 Nakanishi et al. .... D16/219
- D440,590 S \* 4/2001 Yoshida ..... D16/209
- D463,471 S \* 9/2002 Tanaka ..... D16/209
- D473,886 S \* 4/2003 Katayama ..... D16/202

- D487,766 S \* 3/2004 Tanaka ..... D16/219
- D538,322 S \* 3/2007 Horikiri ..... D16/202
- D540,357 S \* 4/2007 Sakai ..... D16/202
- D540,365 S \* 4/2007 Sakai ..... D16/219
- 2005/0265710 A1\* 12/2005 Shirakata et al. .... 396/349

\* cited by examiner

*Primary Examiner*—Ian Simmons

*Assistant Examiner*—Wan Laymon

(74) *Attorney, Agent, or Firm*—Young & Thompson

(57) **CLAIM**

The ornamental design for an electronic camera, as shown and described.

**DESCRIPTION**

FIG. 1 is a top, front and side perspective view of an electronic camera showing my new design;

FIG. 2 is a front elevational view thereof;

FIG. 3 is a top plan view thereof;

FIG. 4 is a bottom plan view thereof; and,

FIG. 5 is a side elevational view thereof from the right of FIG. 2.

The broken lines show environmental structure and do not form a part of the design claimed in the present application.

**1 Claim, 3 Drawing Sheets**

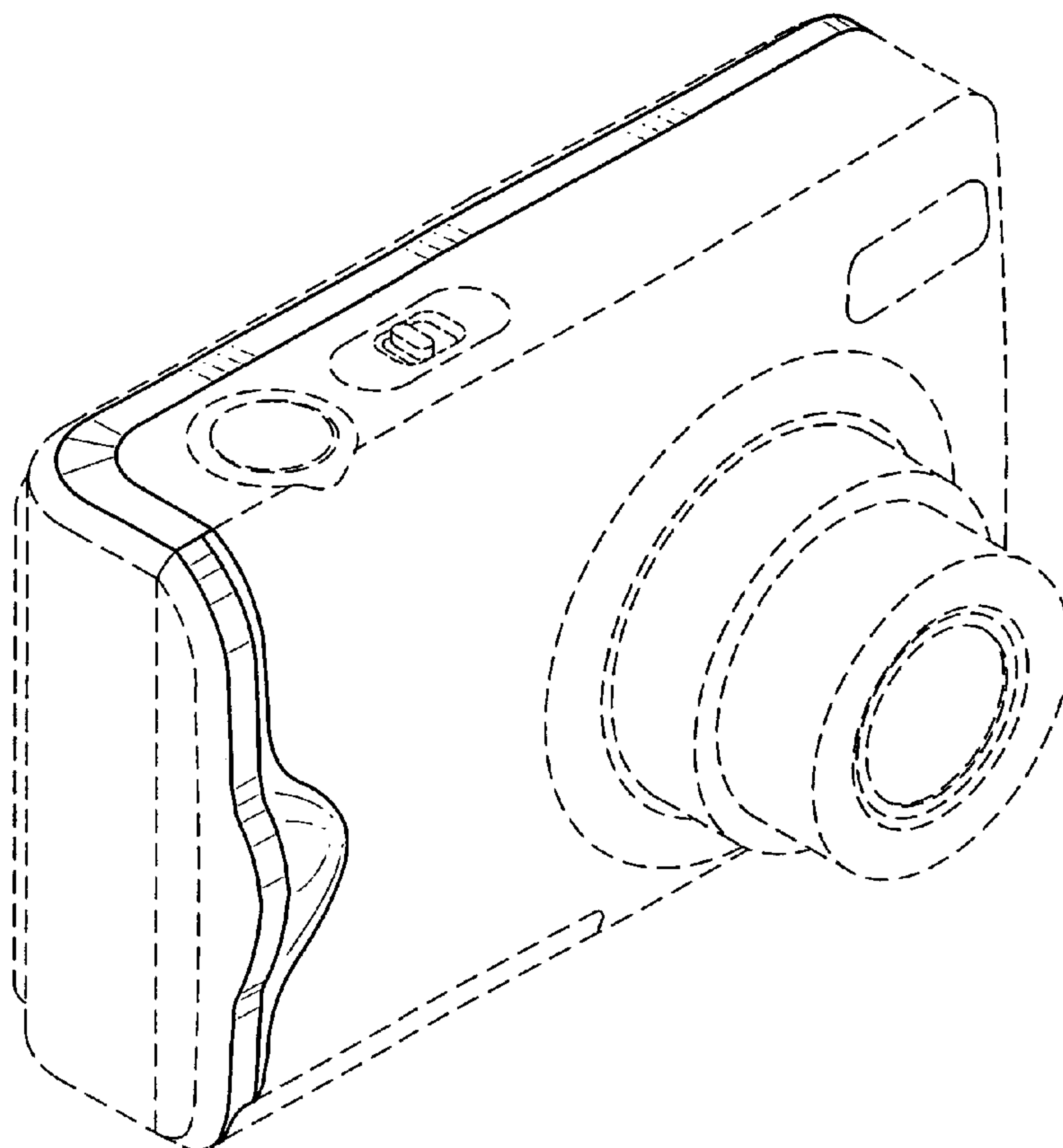


FIG.1

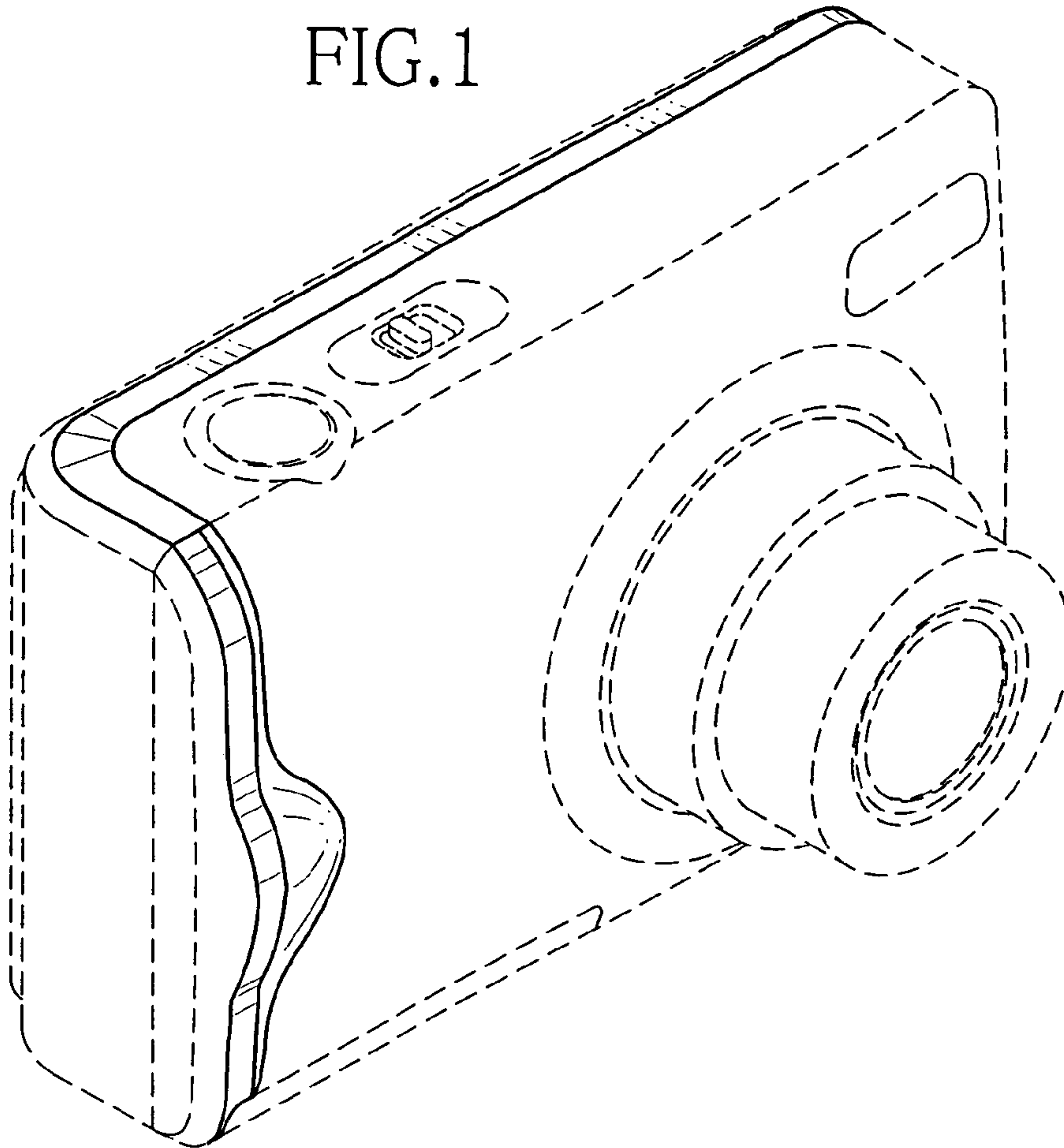


FIG.2

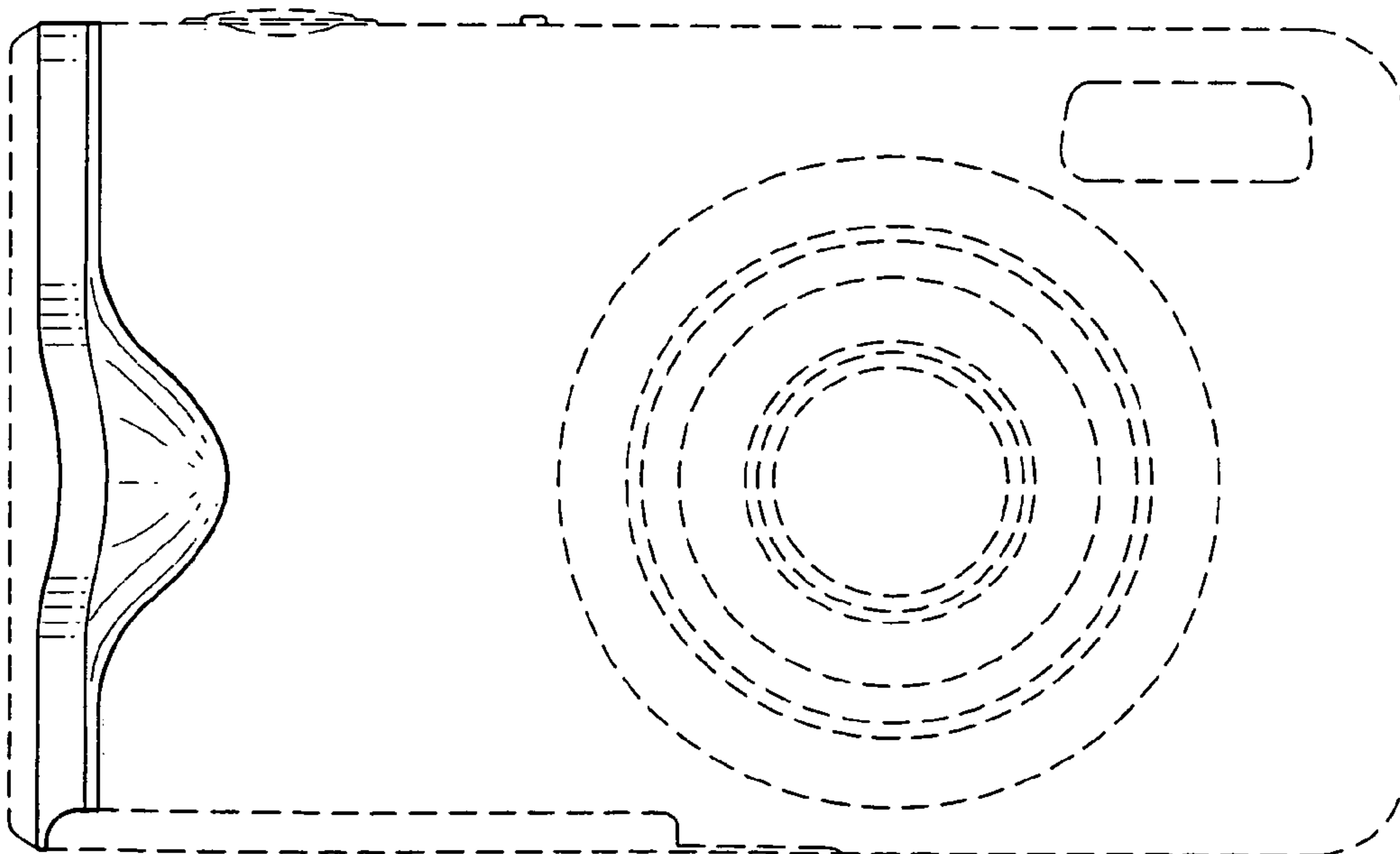


FIG.3

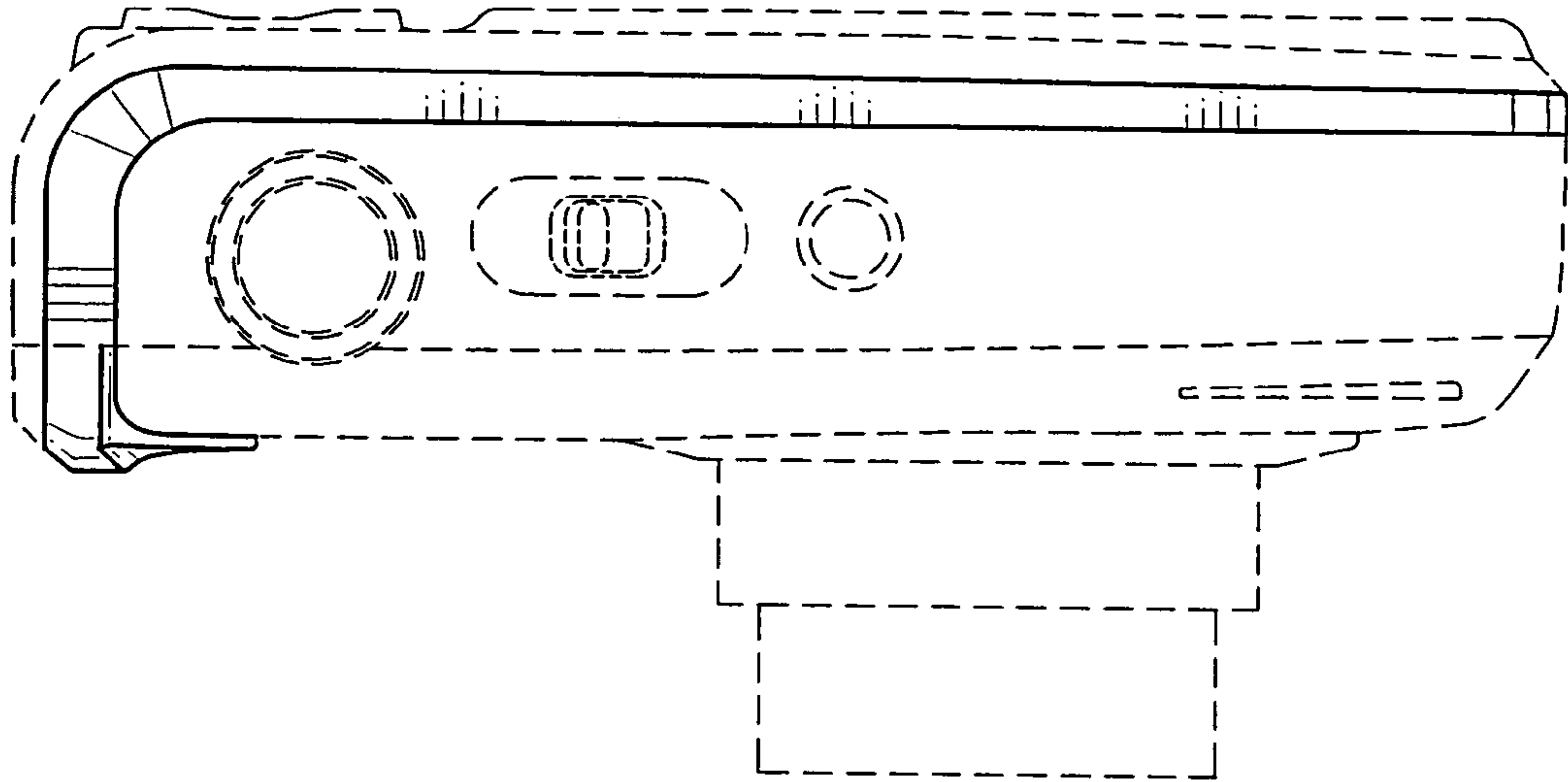


FIG.4

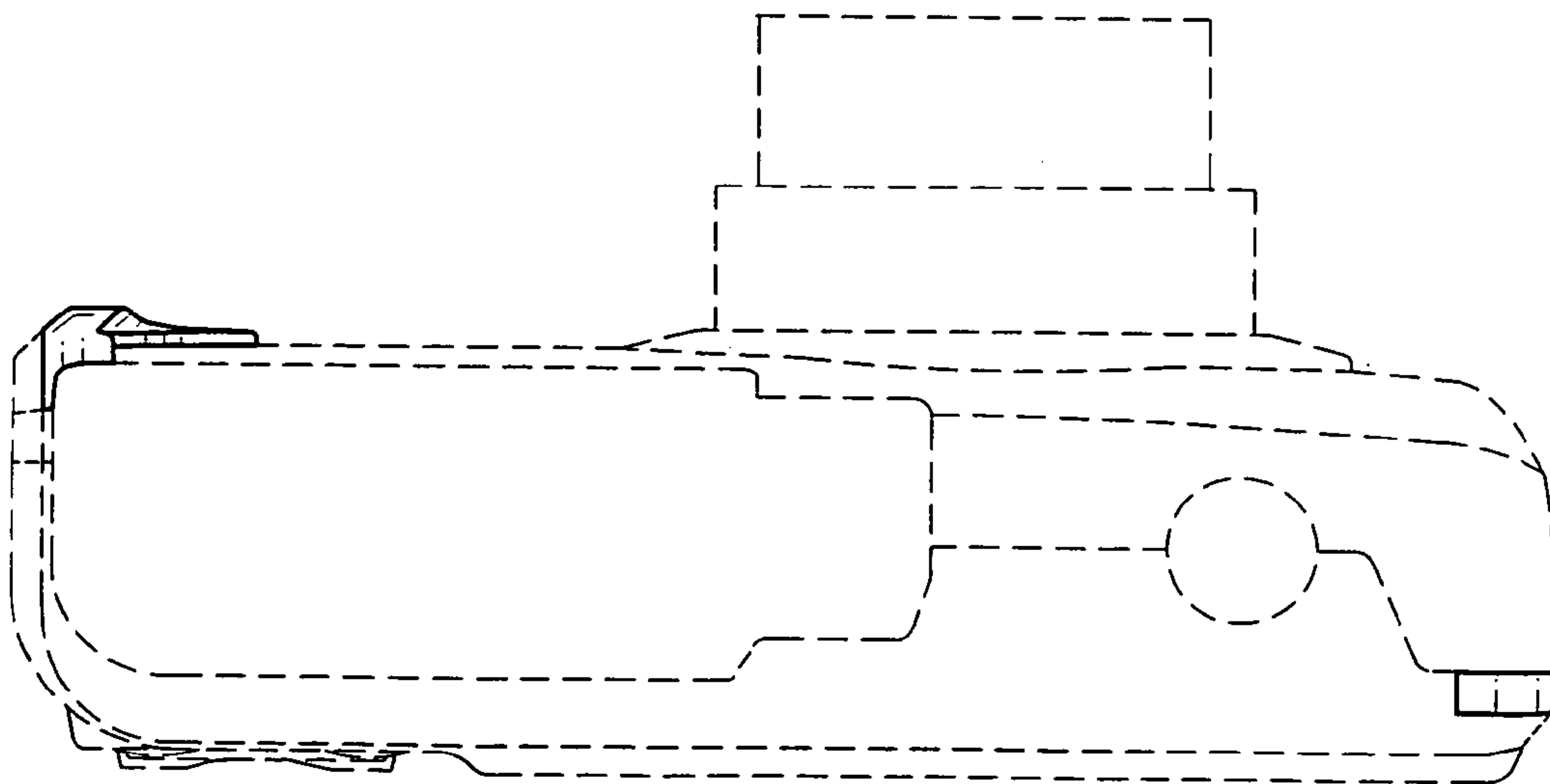


FIG. 5

