

US00D561228S

(12) **United States Design Patent**
Imai

(10) **Patent No.:** **US D561,228 S**
(45) **Date of Patent:** **** Feb. 5, 2008**

(54) **ELECTRONIC CAMERA**

D531,653 S * 11/2006 Lee D16/219
D540,365 S * 4/2007 Sakai D16/219

(75) Inventor: **Masazumi Imai**, Tokyo (JP)

* cited by examiner

(73) Assignee: **Fujifilm Corporation**, Tokyo (JP)

Primary Examiner—Ian Simmons

(**) Term: **14 Years**

Assistant Examiner—Wan Laymon

(21) Appl. No.: **29/263,251**

(74) *Attorney, Agent, or Firm*—Young & Thompson

(22) Filed: **Jul. 20, 2006**

(57) **CLAIM**

(30) **Foreign Application Priority Data**

The ornamental design for an electronic camera, as shown and described.

Jan. 26, 2006 (JP) 2006-001670

DESCRIPTION

(51) **LOC (8) Cl.** **16-05**

FIG. 1 is a top, front and side perspective view of an electronic camera showing my new design;

(52) **U.S. Cl.** **D16/219; D16/202**

FIG. 2 is a front elevational view thereof;

(58) **Field of Classification Search** D16/200–206,
D16/208–209, 217–219, 245; 348/373–376,
348/143; 358/906, 909.1; 396/6, 349, 448,
396/535–541

FIG. 3 is a top plan view thereof;

FIG. 4 is a bottom plan view thereof;

See application file for complete search history.

FIG. 5 is a side elevational view thereof from the left of FIG. 2; and,

(56) **References Cited**

FIG. 6 is a side elevational view thereof from the right of FIG. 2.

U.S. PATENT DOCUMENTS

The structure shown in broken line illustrates the environment of the present invention and is not claimed in the present application.

D468,331 S * 1/2003 Horikiri D16/202
D473,886 S * 4/2003 Katayama D16/202
D508,935 S * 8/2005 Meguro D16/212
D518,499 S * 4/2006 Iue D16/219
D522,036 S * 5/2006 Nagayama et al. D16/219

1 Claim, 3 Drawing Sheets

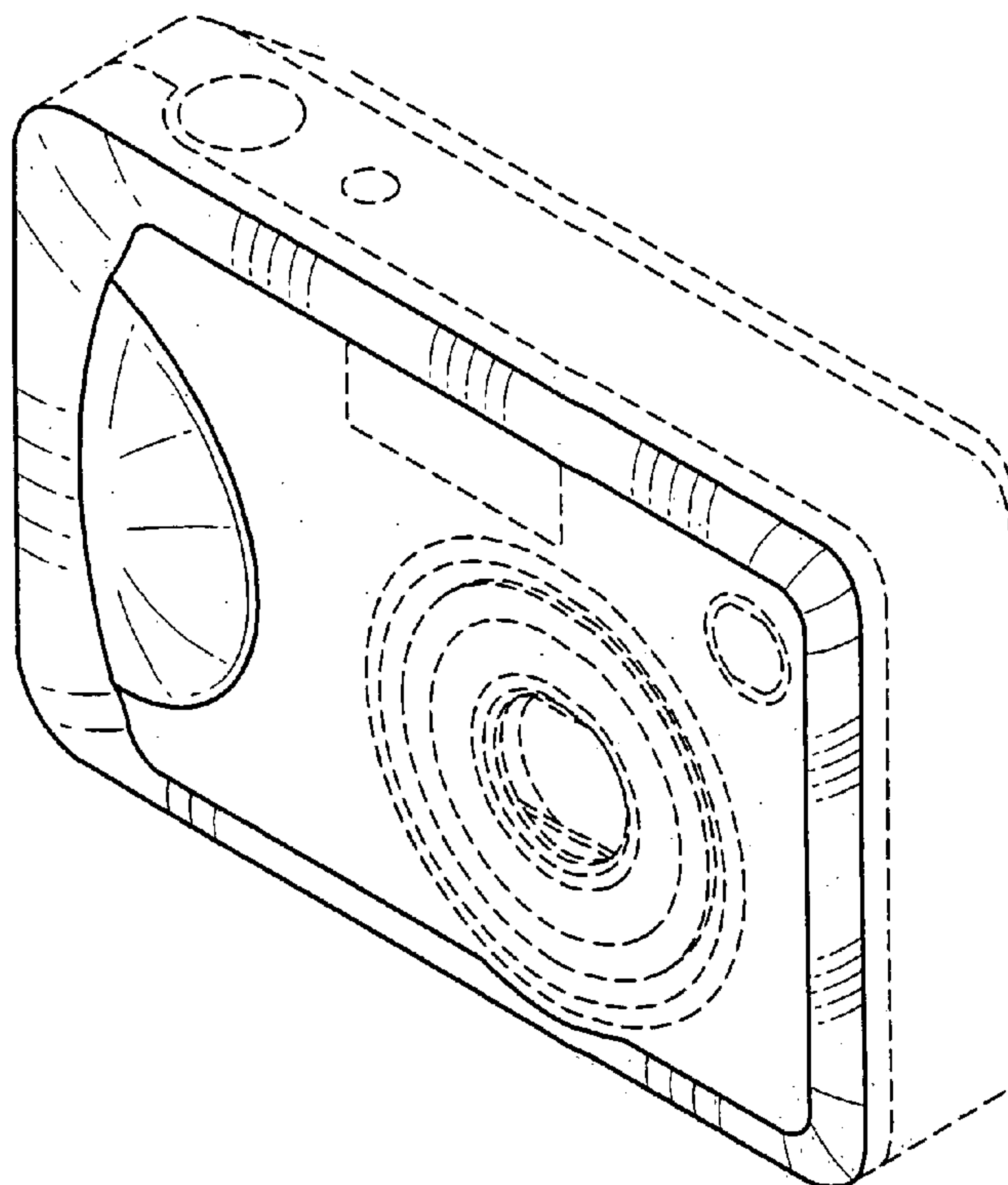


FIG.1

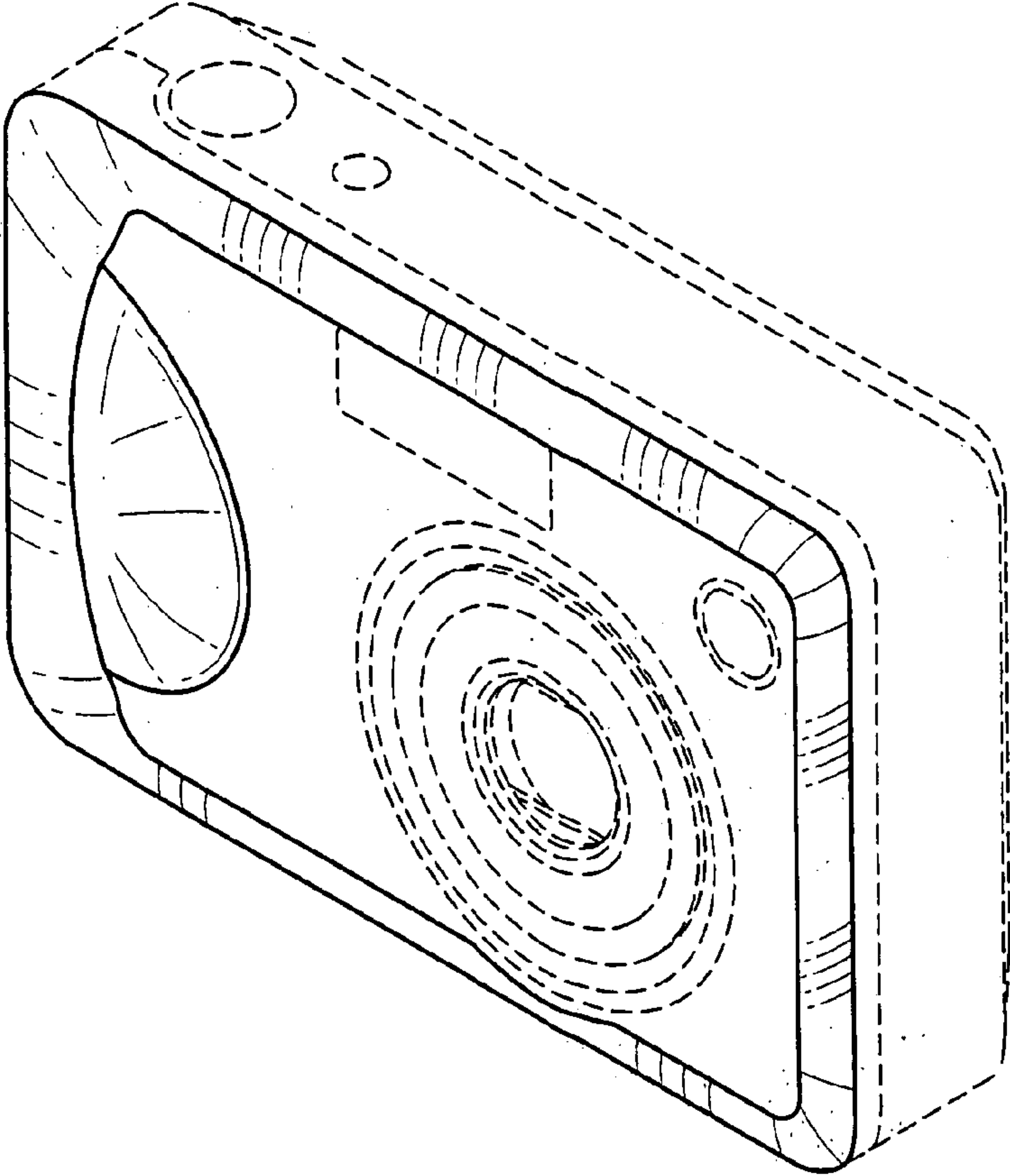


FIG.2

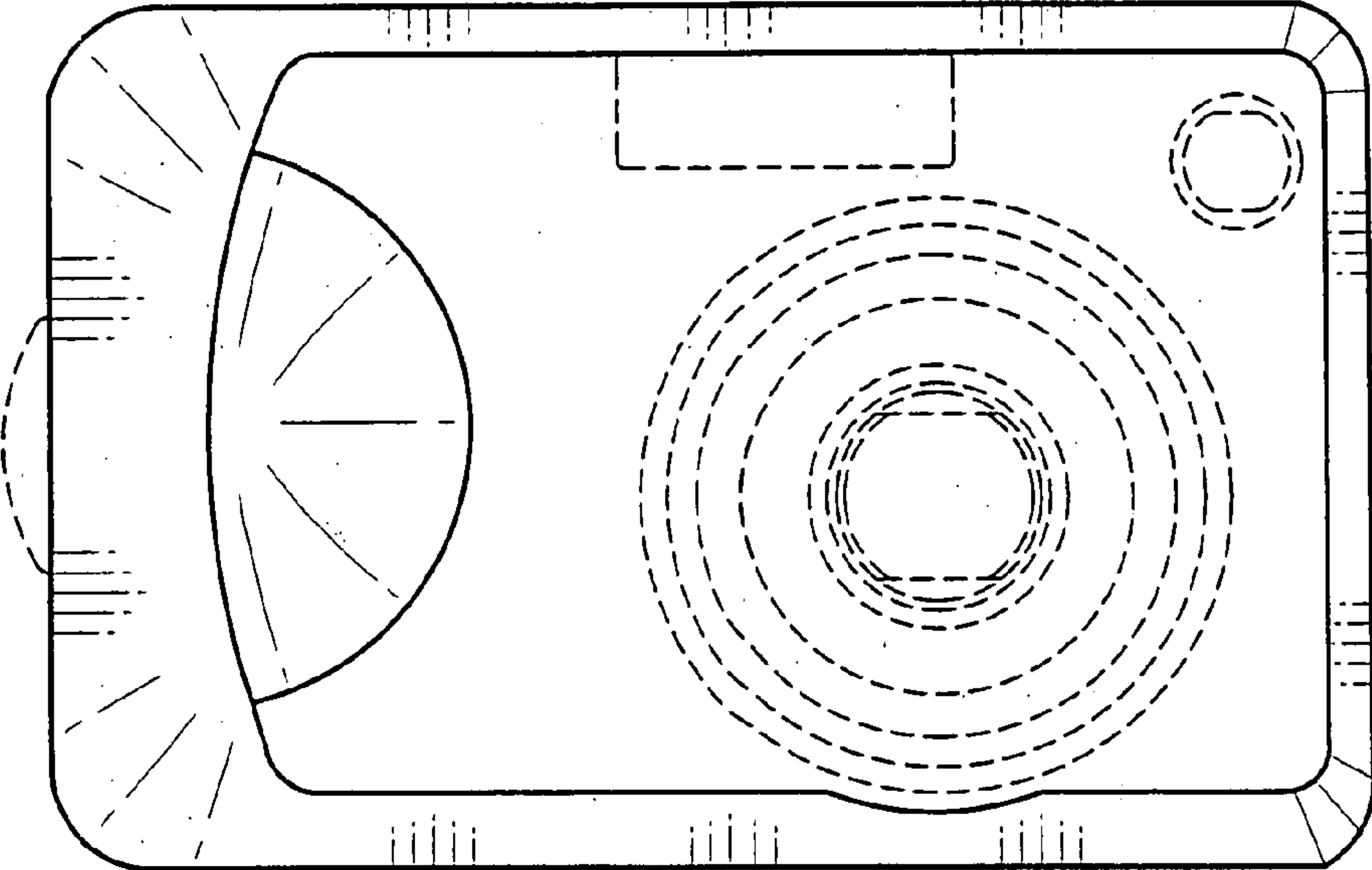


FIG.3

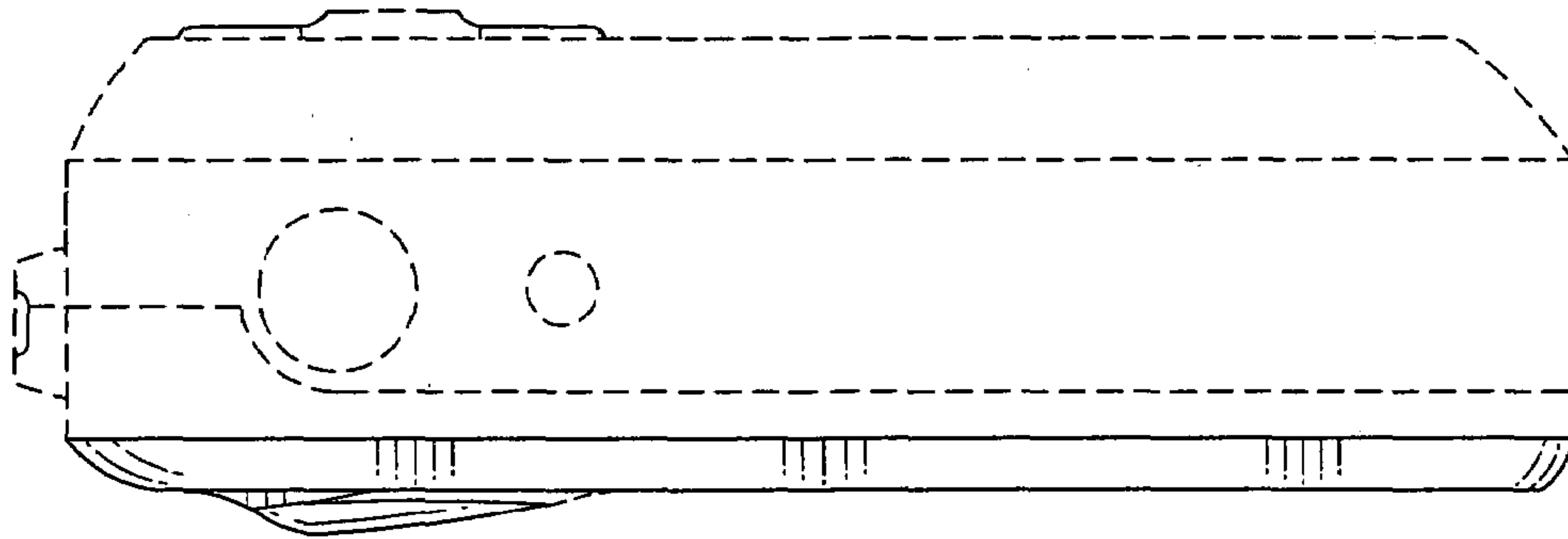


FIG.4

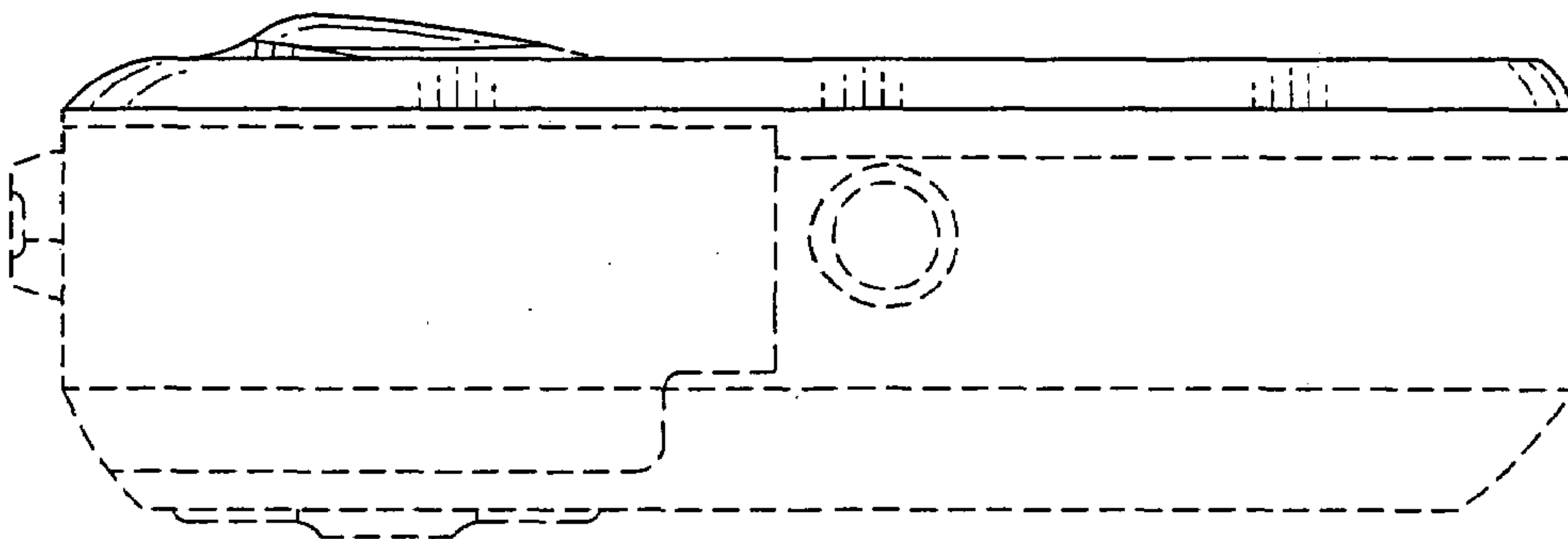


FIG.5

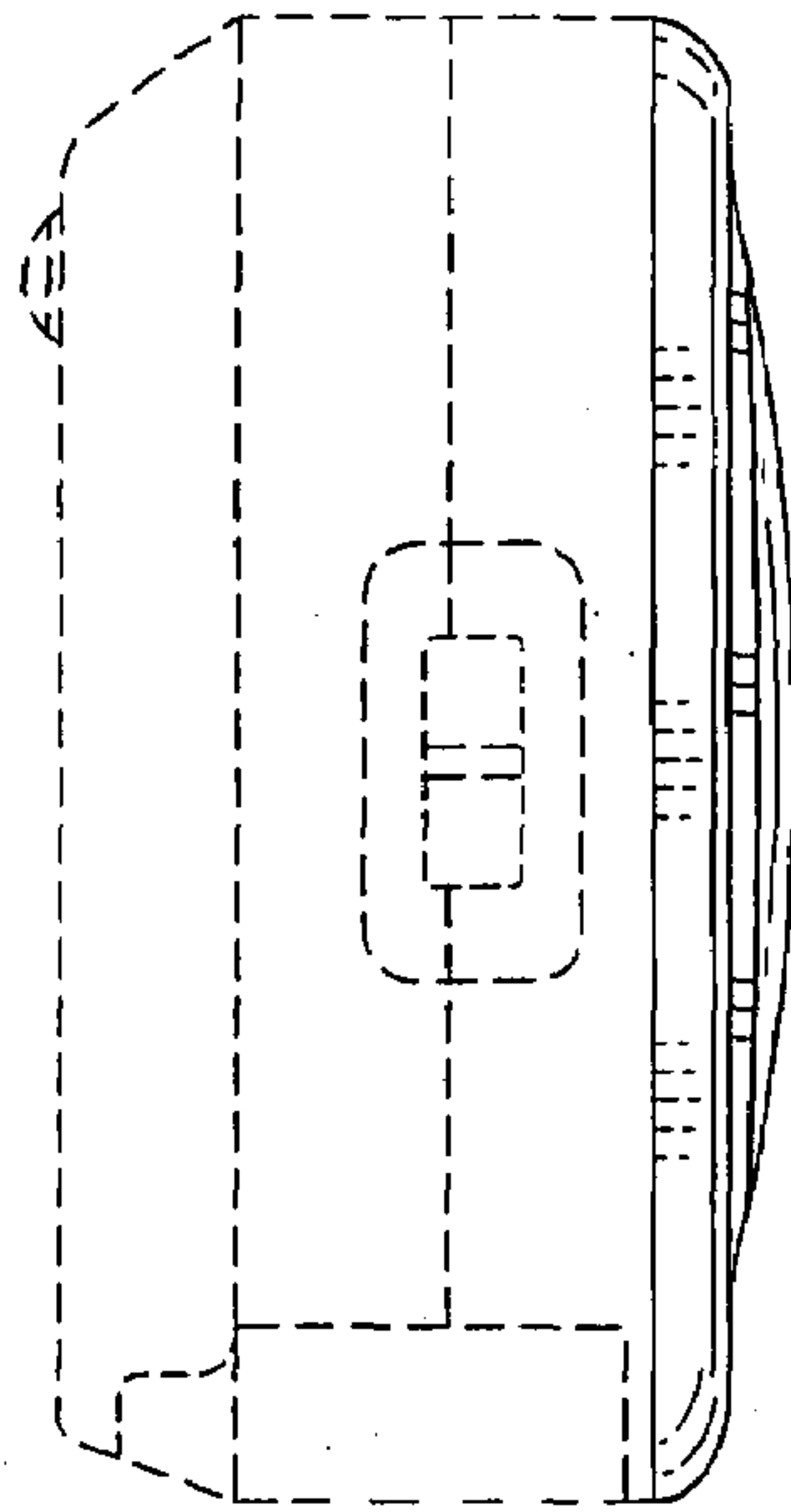


FIG.6

