

US00D561227S

(12) **United States Design Patent**  
**Yoshida**

(10) **Patent No.:** **US D561,227 S**  
(45) **Date of Patent:** **\*\* Feb. 5, 2008**

(54) **ELECTRONIC CAMERA**

(75) Inventor: **Koji Yoshida**, Tokyo (JP)

(73) Assignee: **Fujifilm Corporation**, Tokyo (JP)

(\*\*) Term: **14 Years**

(21) Appl. No.: **29/262,791**

(22) Filed: **Jul. 12, 2006**

(30) **Foreign Application Priority Data**

Jan. 20, 2006 (JP) ..... 2006-001104

(51) **LOC (8) Cl.** ..... **16-05**

(52) **U.S. Cl.** ..... **D16/219; D16/202**

(58) **Field of Classification Search** ..... D16/200–206,  
D16/208, 218–219; D8/349, 354; D12/223;  
D25/119, 122, 124, 126; 348/200, 300, 373–376;  
396/535–541, 428, 433, 176; 358/906, 909.1  
See application file for complete search history.

(56) **References Cited**

**U.S. PATENT DOCUMENTS**

|              |         |           |       |         |
|--------------|---------|-----------|-------|---------|
| D301,304 S * | 5/1989  | Will      | ..... | D8/373  |
| D381,338 S * | 7/1997  | Johansson | ..... | D14/253 |
| D515,604 S * | 2/2006  | Tanio     | ..... | D16/202 |
| D521,043 S * | 5/2006  | Takagi    | ..... | D16/218 |
| D522,555 S * | 6/2006  | Choi      | ..... | D16/202 |
| D524,344 S   | 7/2006  | Imai      |       |         |
| D532,434 S * | 11/2006 | Horikiri  | ..... | D16/212 |
| D532,811 S * | 11/2006 | Horikiri  | ..... | D16/219 |

|                   |         |             |       |         |
|-------------------|---------|-------------|-------|---------|
| D532,812 S *      | 11/2006 | Horikiri    | ..... | D16/219 |
| D534,198 S *      | 12/2006 | Horikiri    | ..... | D16/219 |
| D538,322 S *      | 3/2007  | Horikiri    | ..... | D16/202 |
| D541,834 S *      | 5/2007  | Horikiri    | ..... | D16/202 |
| 2006/0181639 A1 * | 8/2006  | Ueda et al. | ..... | 348/376 |

\* cited by examiner

*Primary Examiner*—Ian Simmons

*Assistant Examiner*—Wan Laymon

(74) *Attorney, Agent, or Firm*—Young & Thompson

(57) **CLAIM**

The ornamental design for an electronic camera, as shown and described.

**DESCRIPTION**

FIG. 1 is a top, front and side perspective view of an electronic camera showing my new design;

FIG. 2 is a front elevational view thereof;

FIG. 3 is a rear elevational view thereof;

FIG. 4 is a top plan view thereof;

FIG. 5 is a bottom plan view thereof;

FIG. 6 is a side elevational view thereof from the left of FIG. 2, and,

FIG. 7 is a side elevational view thereof from the right of FIG. 2.

The material shown in broken line illustrates the environment of the present invention.

**1 Claim, 4 Drawing Sheets**

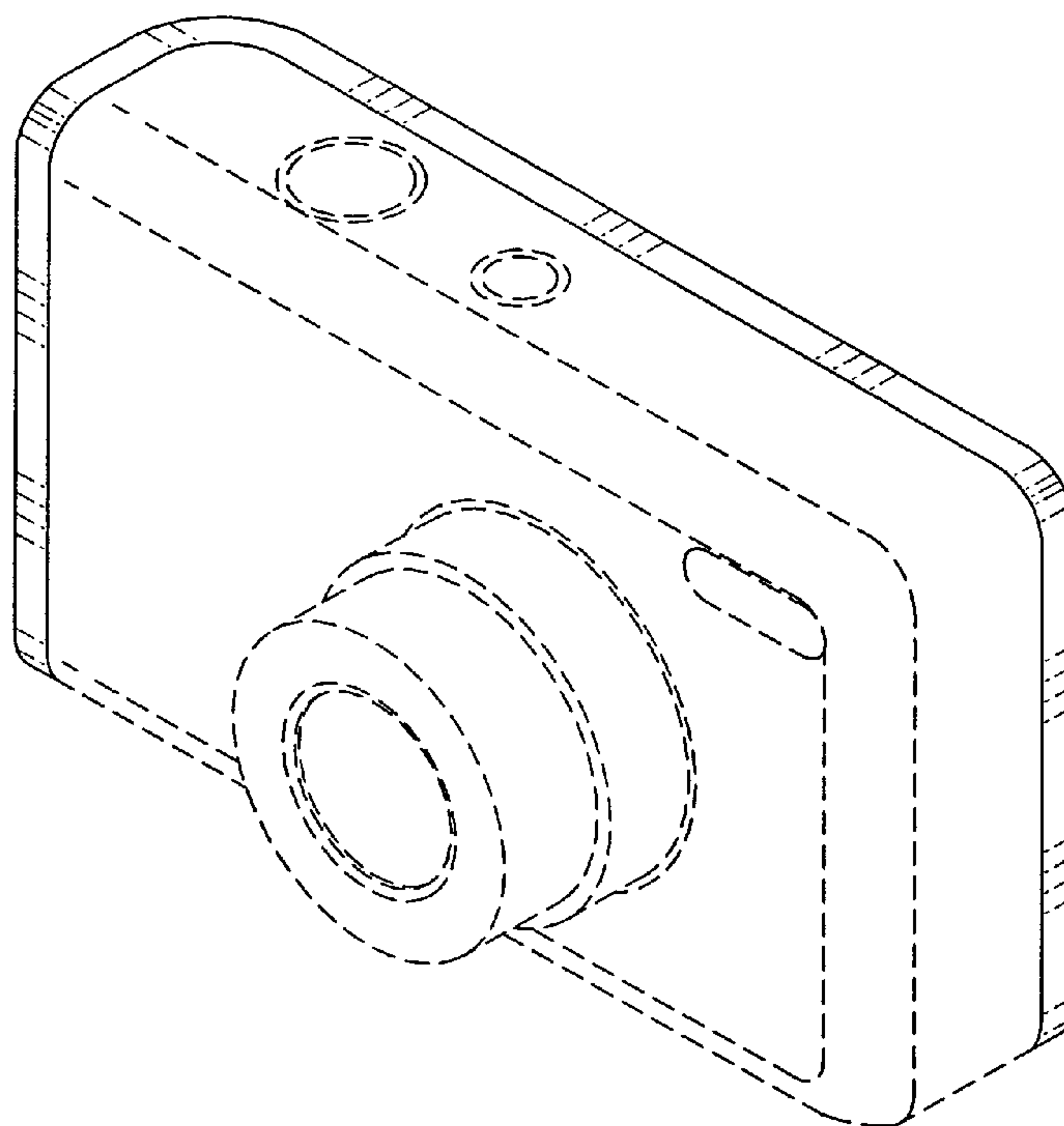


FIG. 1

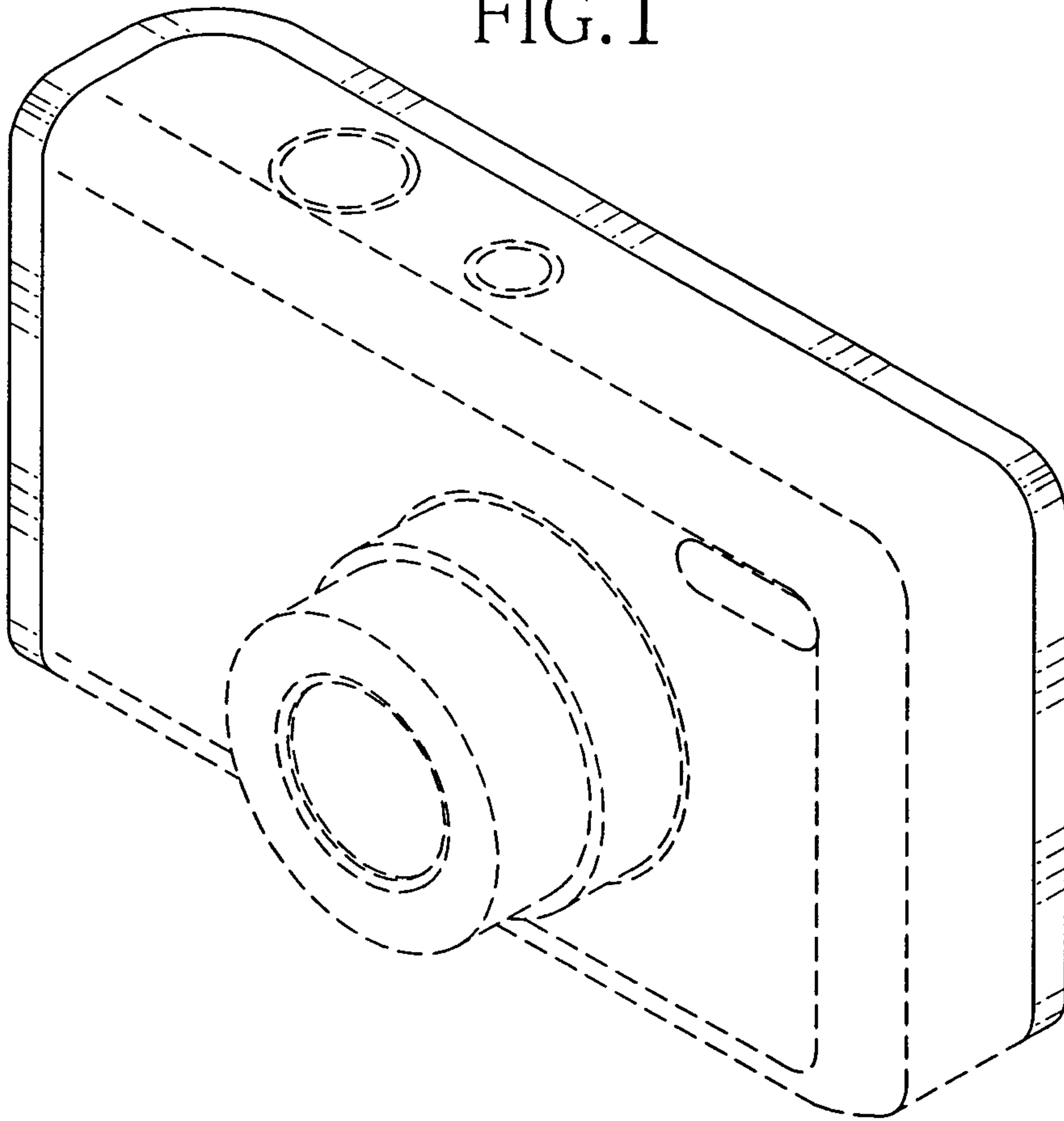


FIG. 2

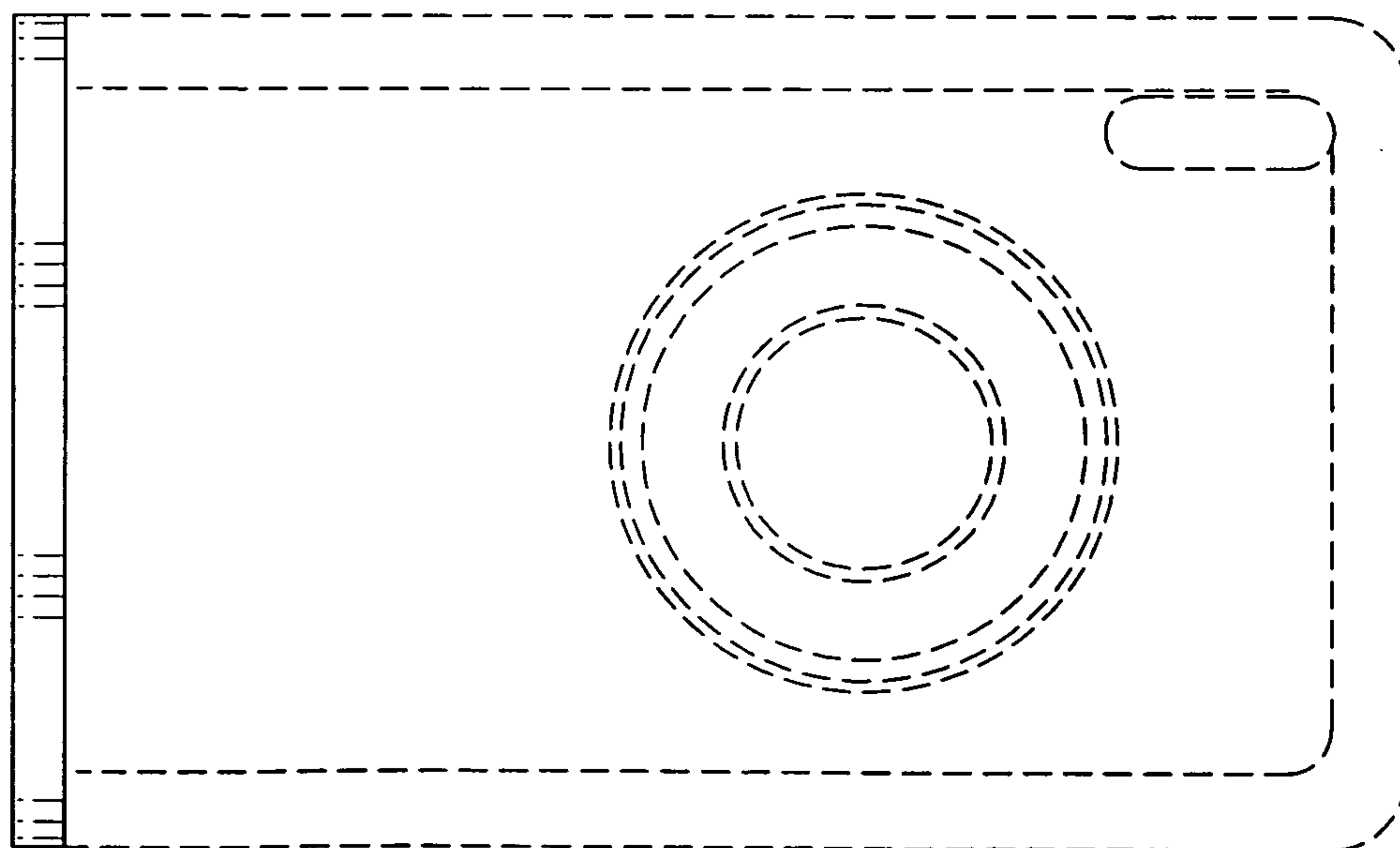


FIG.3

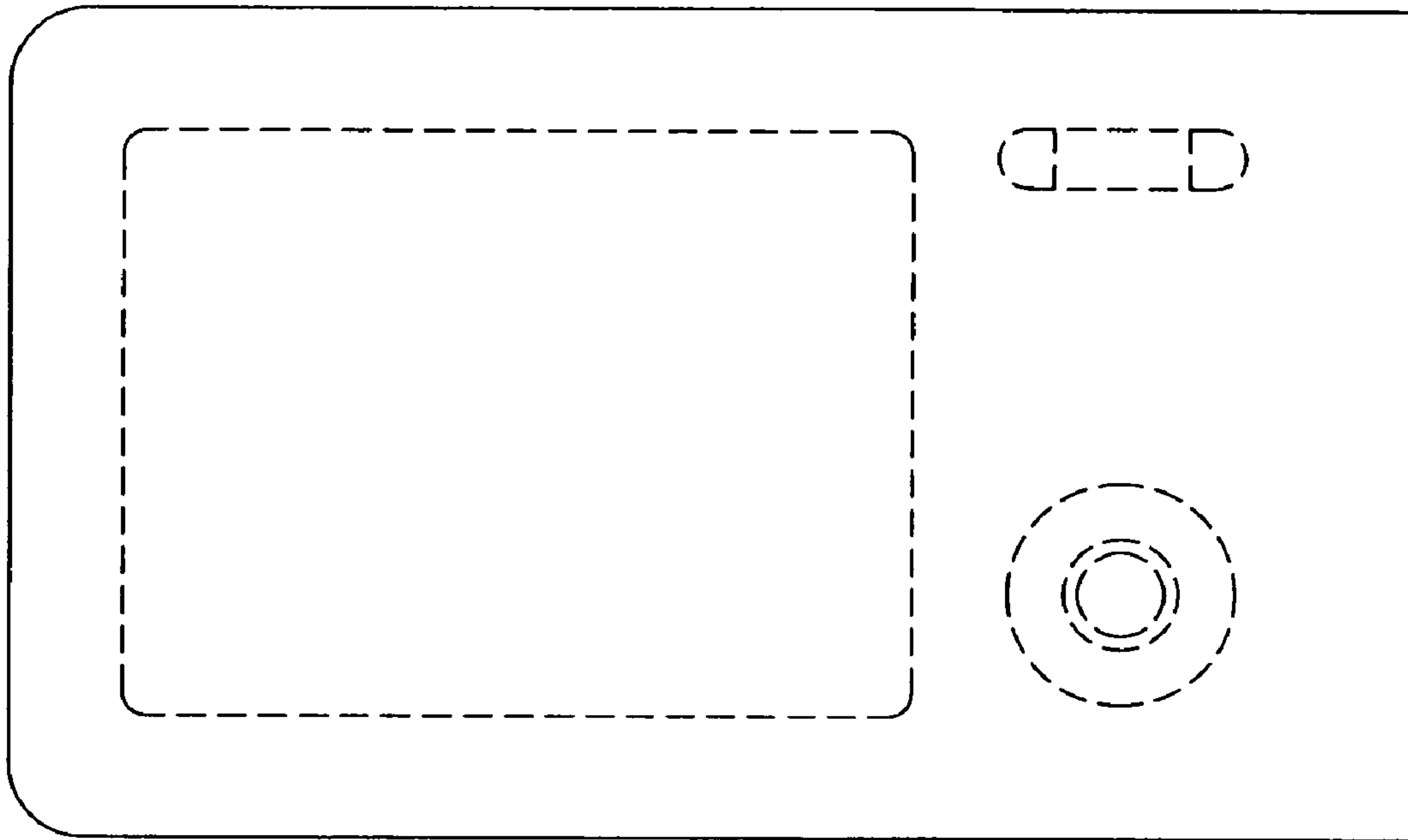


FIG.4

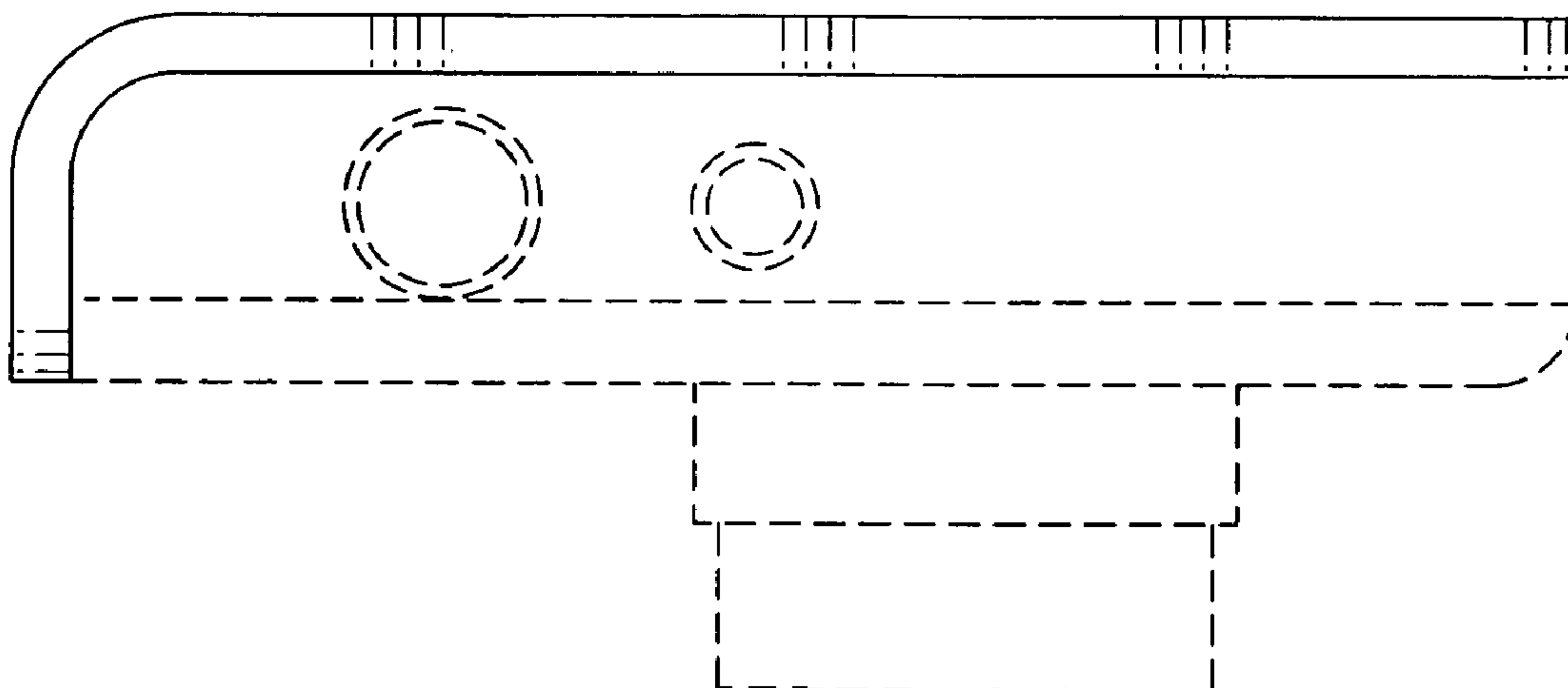


FIG. 5

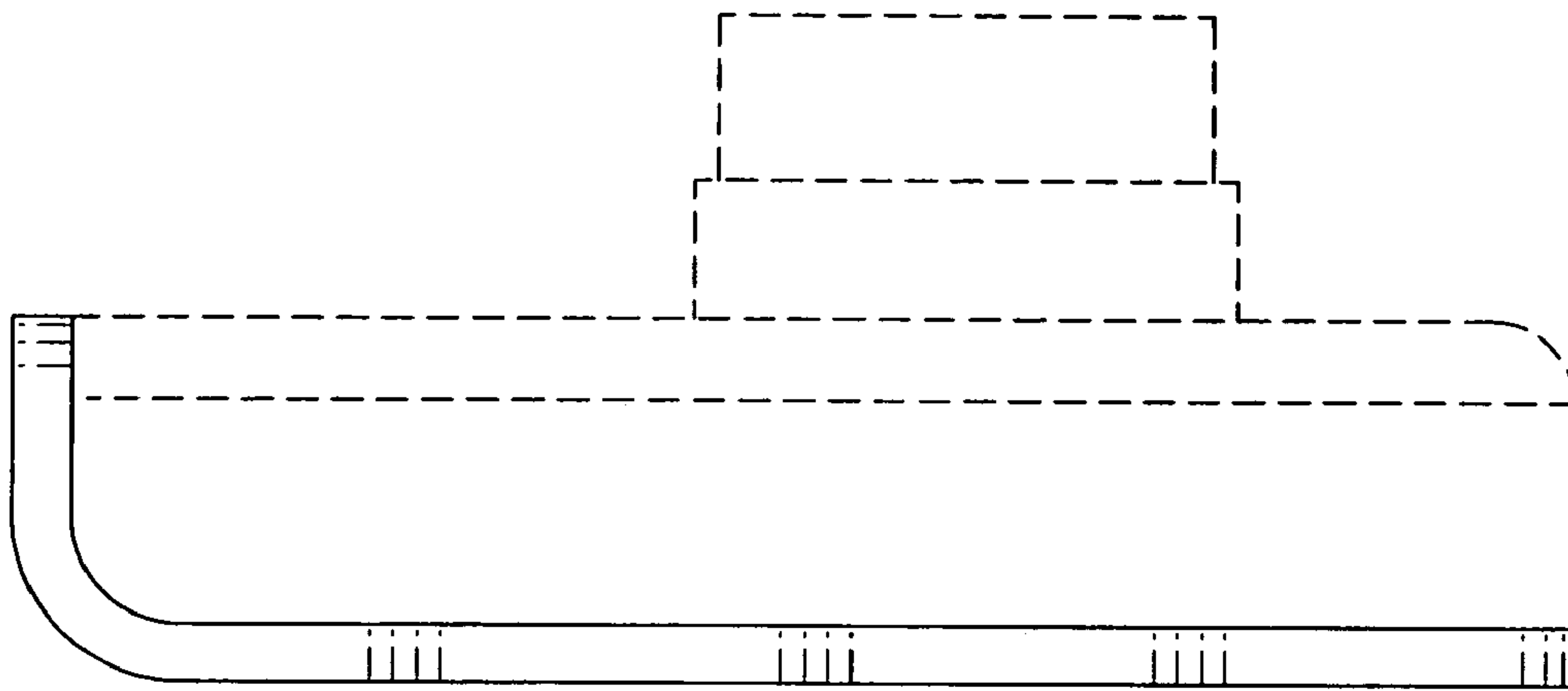


FIG. 6

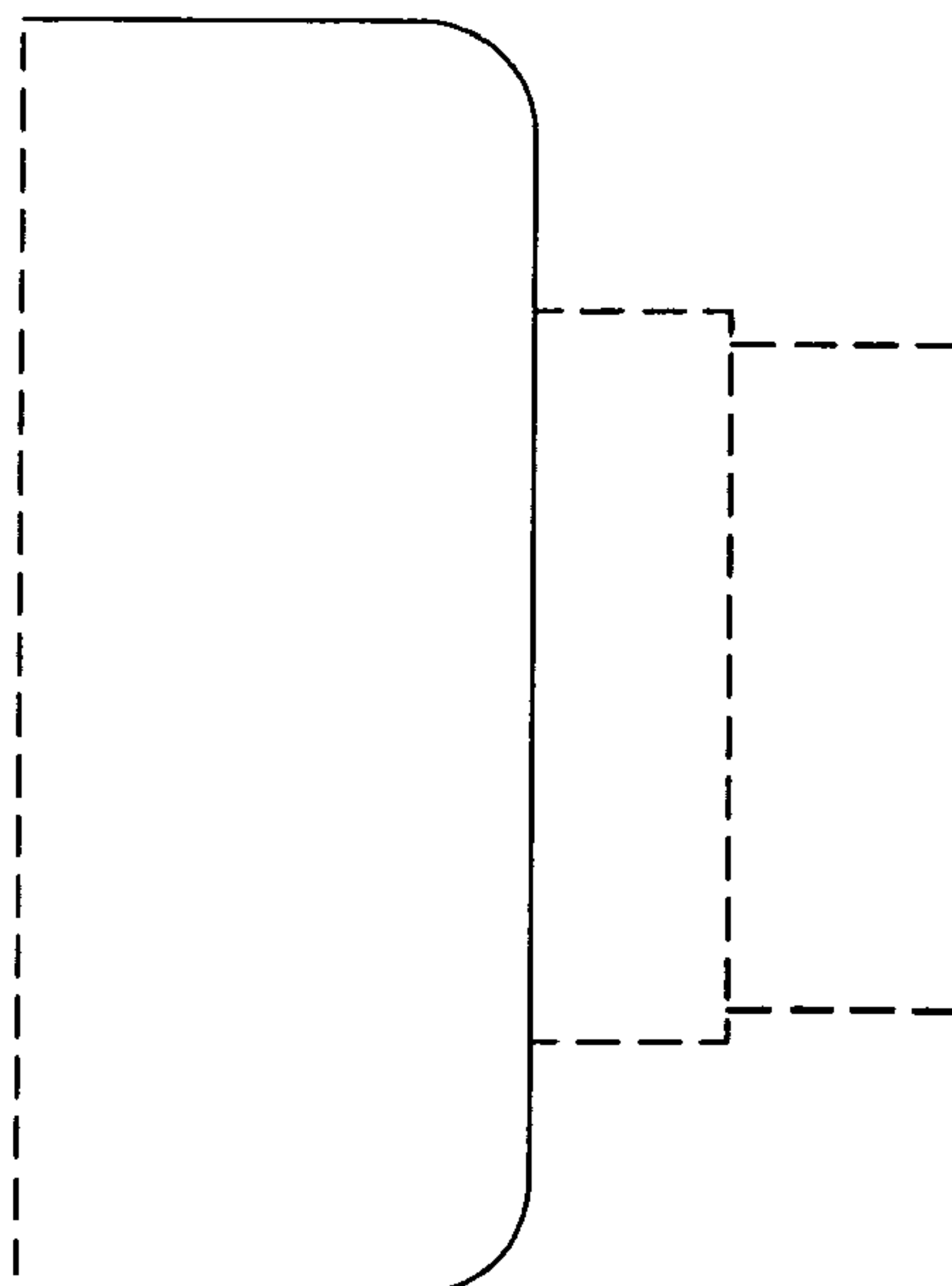


FIG. 7

