



US00D561226S

(12) **United States Design Patent**
Yoshida

(10) **Patent No.:** **US D561,226 S**
(45) **Date of Patent:** **** Feb. 5, 2008**

(54) **ELECTRONIC CAMERA**

(75) Inventor: **Koji Yoshida**, Tokyo (JP)

(73) Assignee: **Fujifilm Corporation**, Tokyo (JP)

(**) Term: **14 Years**

(21) Appl. No.: **29/262,730**

(22) Filed: **Jul. 11, 2006**

(30) **Foreign Application Priority Data**

Jan. 20, 2006 (JP) 2006-001105

(51) **LOC (8) Cl.** **16-05**

(52) **U.S. Cl.** **D16/219; D16/202**

(58) **Field of Classification Search** D16/200–206,
D16/208, 218–219; D8/349, 354; D12/223;
D25/119, 122, 124, 126; 348/200, 300, 373–376;
396/535–541, 428, 433, 176; 358/906, 909.1
See application file for complete search history.

(56) **References Cited**

U.S. PATENT DOCUMENTS

D301,304 S * 5/1989 Will D8/373
D381,338 S * 7/1997 Johansson D14/253
D515,604 S * 2/2006 Tanio D16/202
D521,043 S * 5/2006 Takagi D16/218
D522,555 S * 6/2006 Choi D16/202
D524,344 S 7/2006 Imai
D532,434 S * 11/2006 Horikiri D16/212
D532,811 S * 11/2006 Horikiri D16/219

D532,812 S * 11/2006 Horikiri D16/219
D534,198 S * 12/2006 Horikiri D16/219
D538,322 S * 3/2007 Horikiri D16/202
D541,834 S * 5/2007 Horikiri et al. D16/202
2006/0181639 A1* 8/2006 Ueda et al. 348/376

* cited by examiner

Primary Examiner—Ian Simmons

Assistant Examiner—Wan Laymon

(74) *Attorney, Agent, or Firm*—Young & Thompson

(57) **CLAIM**

The ornamental design for an electronic camera, as shown and described.

DESCRIPTION

FIG. 1 is a top, front and side perspective view of an electronic camera showing my new design;

FIG. 2 is a front elevational view thereof;

FIG. 3 is a rear elevational view thereof;

FIG. 4 is a top plan view thereof;

FIG. 5 is a bottom plan view thereof;

FIG. 6 is a side elevational view thereof from the left of FIG. 2; and,

FIG. 7 is a side elevational view thereof from the right of FIG. 2.

The material shown in broken line illustrates the environment of the present invention.

1 Claim, 4 Drawing Sheets

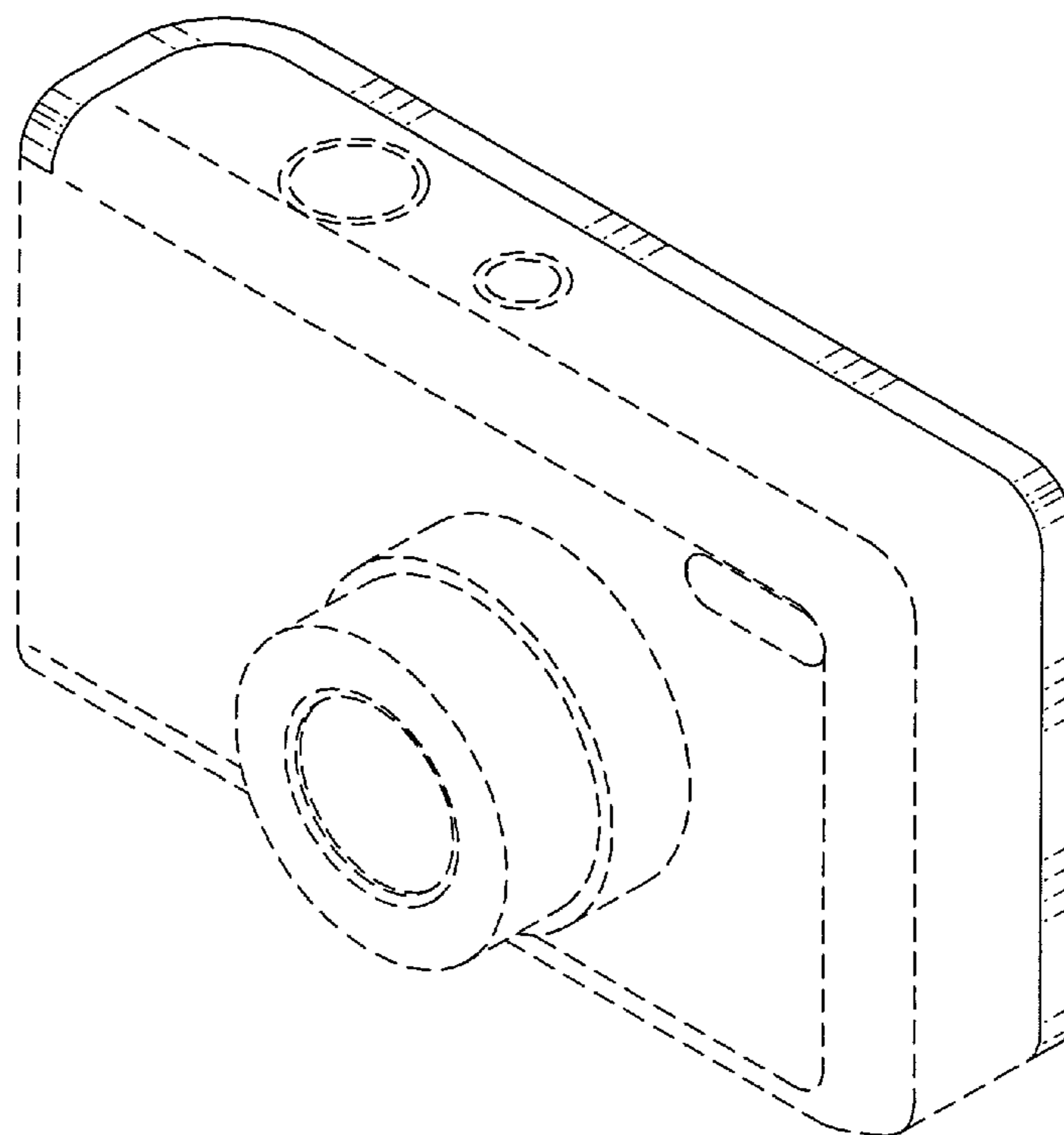


FIG. 1

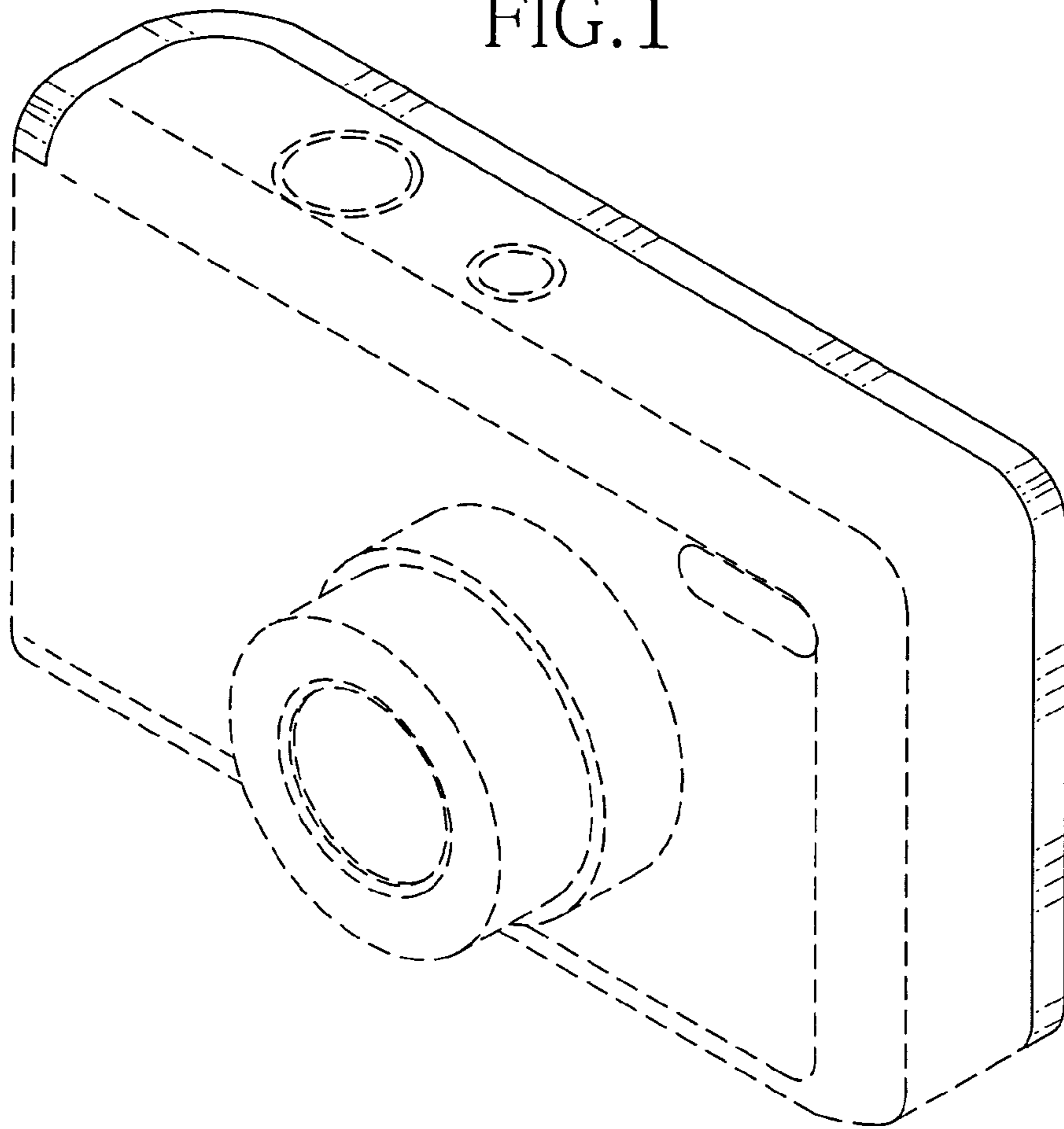


FIG. 2

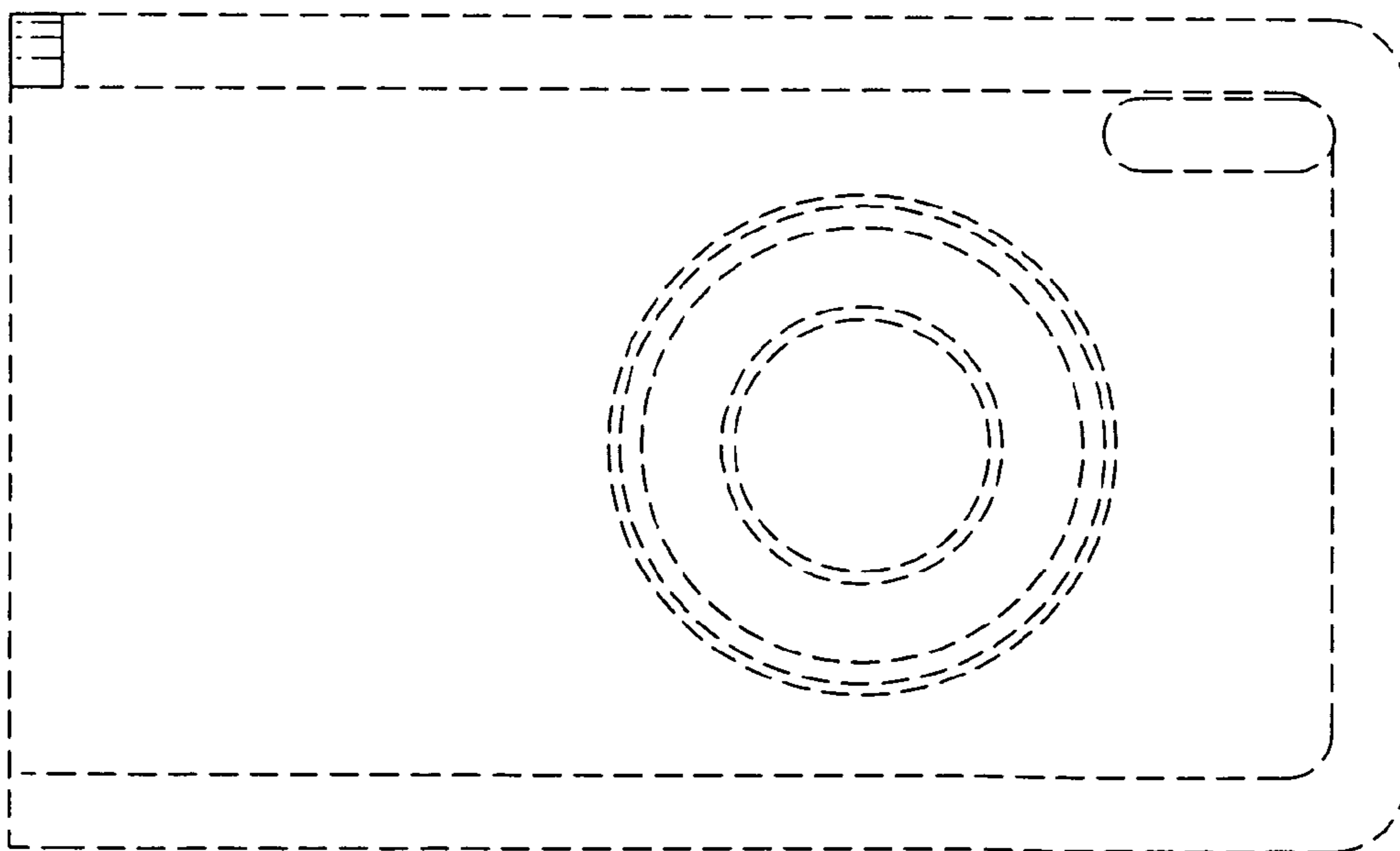


FIG.3

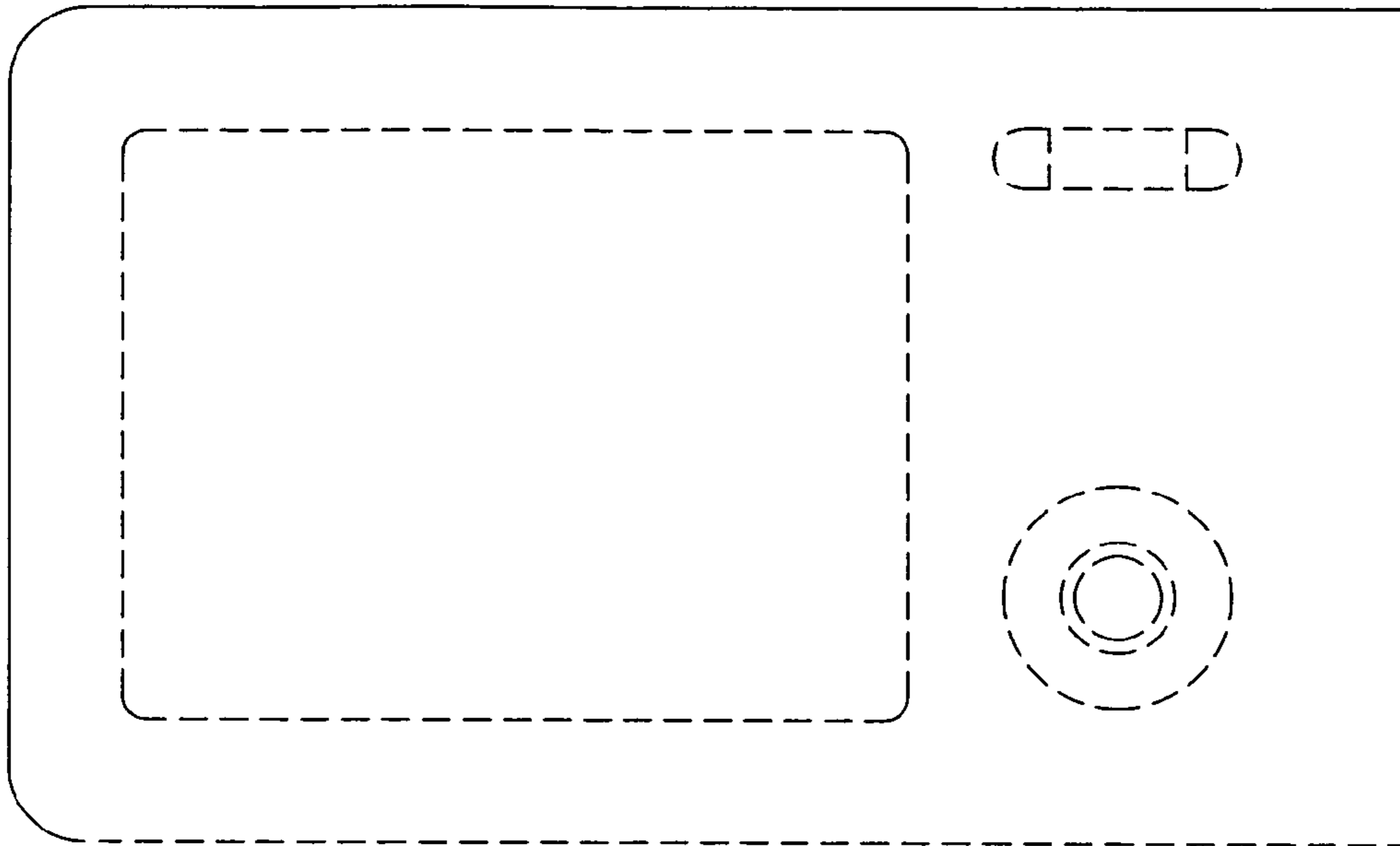


FIG.4

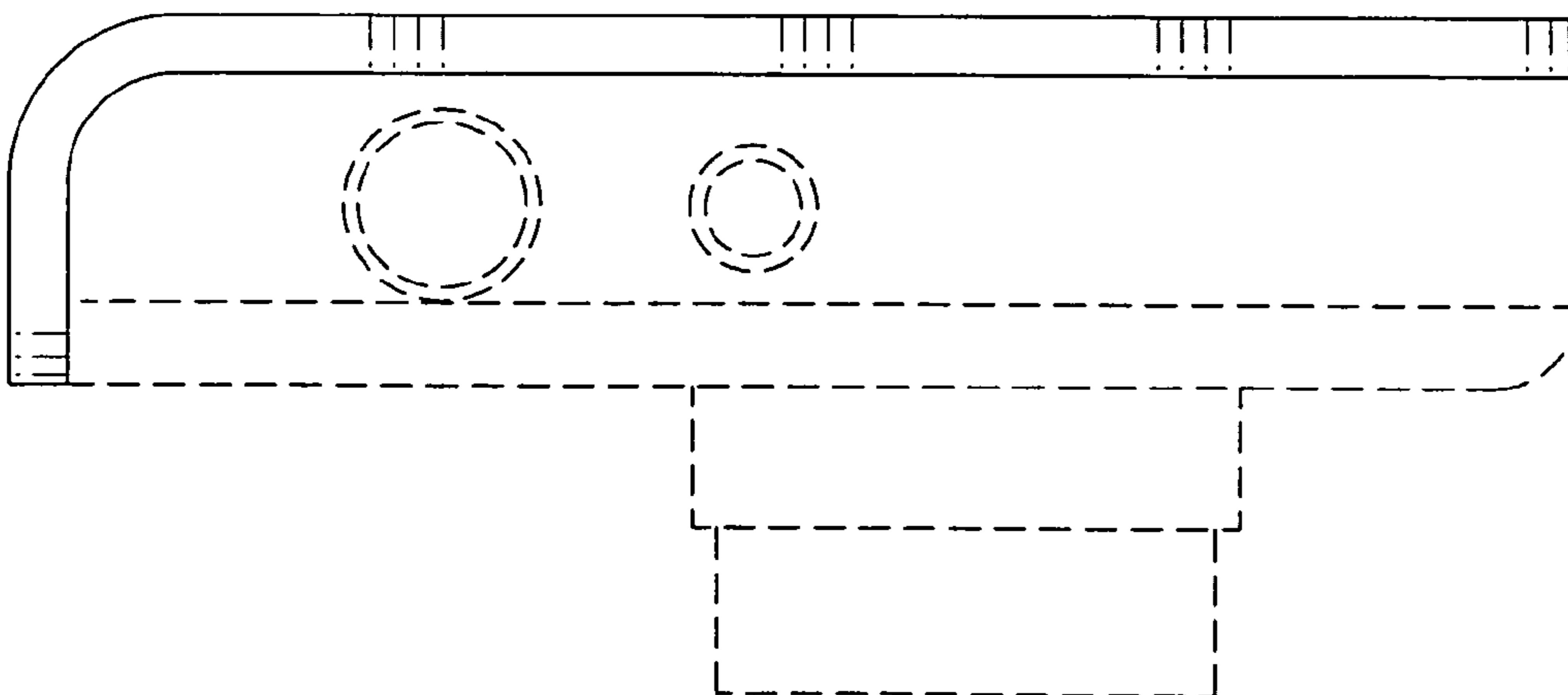


FIG.5

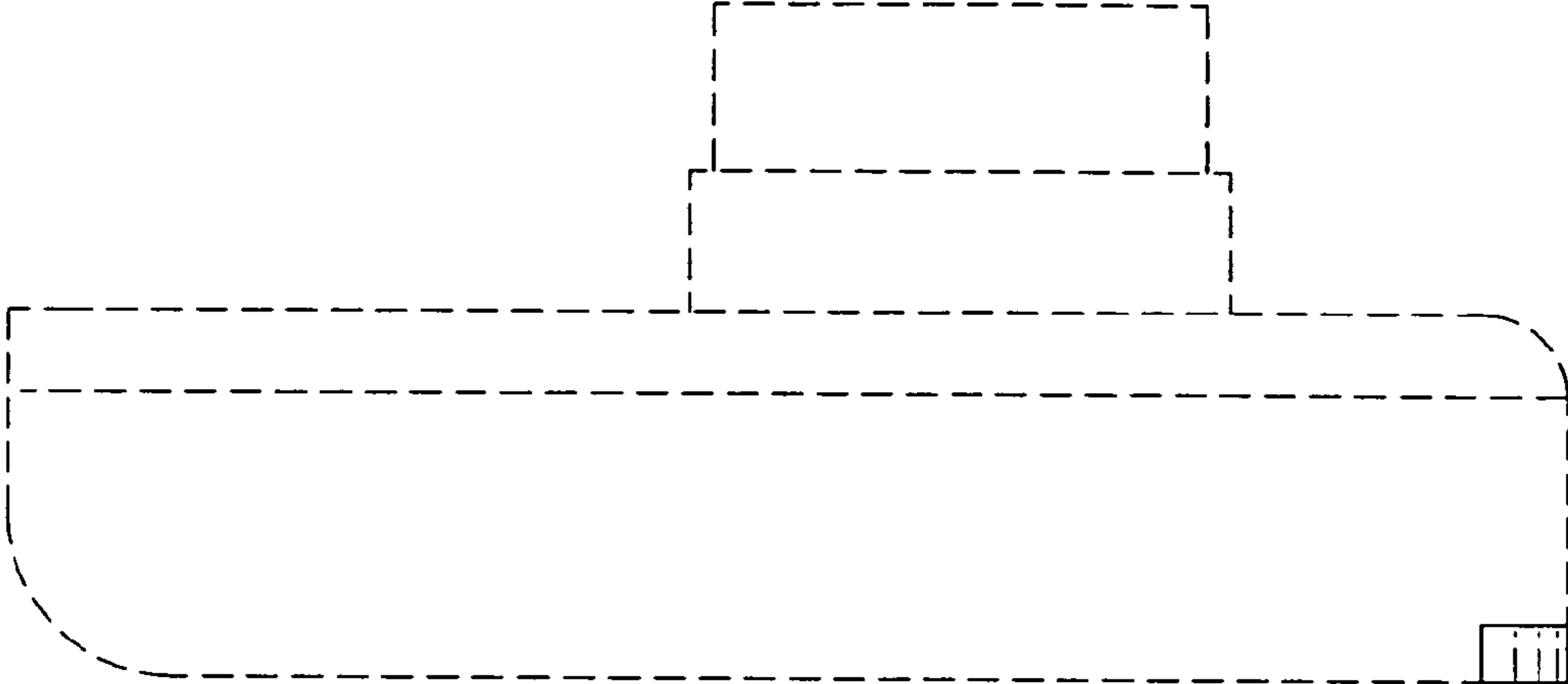


FIG.6

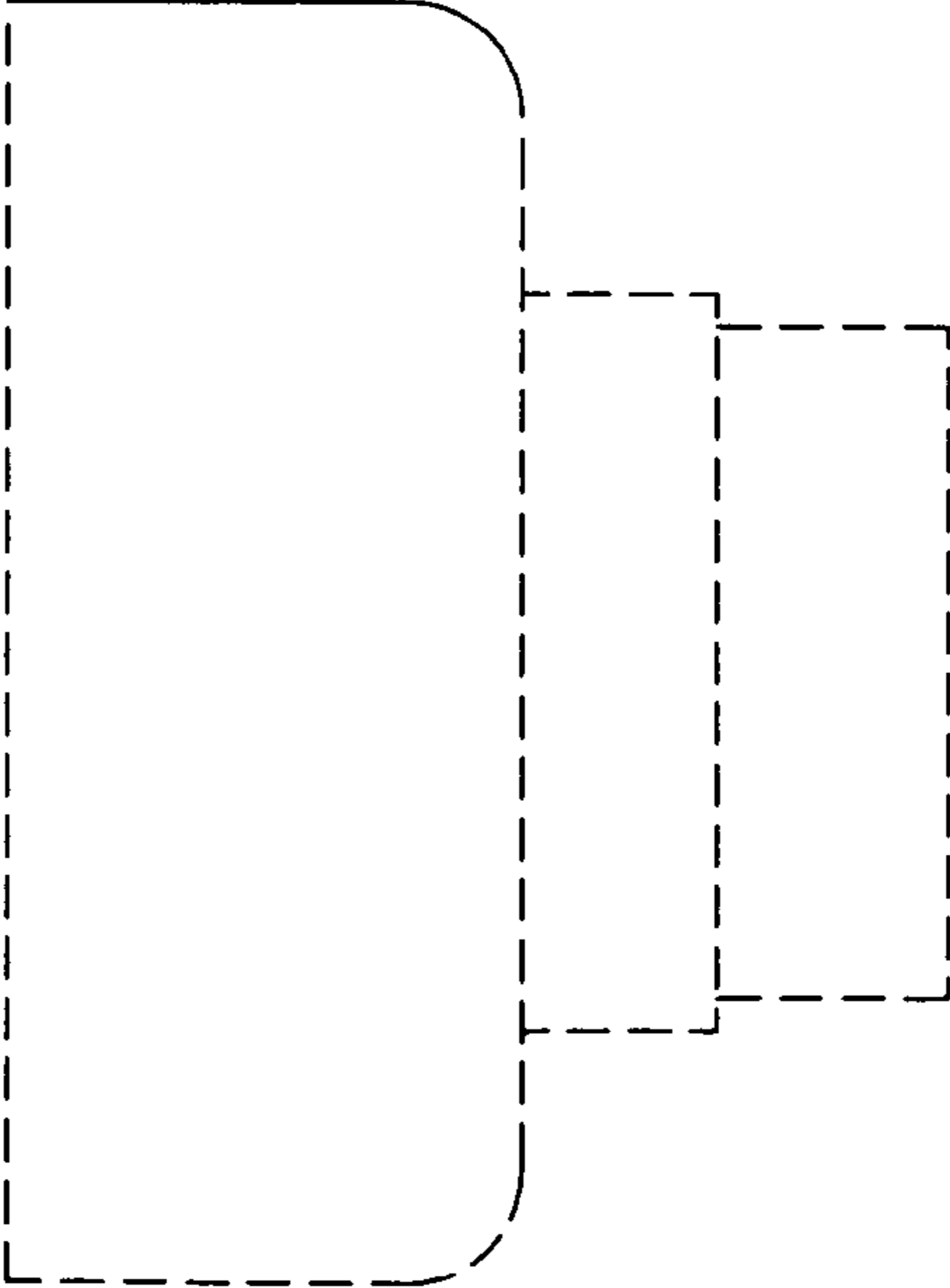


FIG. 7

