

US00D561225S

(12) **United States Design Patent**
Miyahara

(10) **Patent No.:** **US D561,225 S**

(45) **Date of Patent:** **** Feb. 5, 2008**

(54) **DIGITAL CAMERA**

(75) Inventor: **Akihiro Miyahara**, Kunitachi (JP)

(73) Assignee: **Casio Keisanki Kabushiki Kaisha**,
Tokyo (JP)

(**) Term: **14 Years**

(21) Appl. No.: **29/260,362**

(22) Filed: **May 24, 2006**

(51) **LOC (8) Cl.** **16-05**

(52) **U.S. Cl.** **D16/219**

(58) **Field of Classification Search** D6/300,
D6/511, 574; D8/349, 353-354, 366, 371,
D8/387; D12/223; D14/356, 126, 345, 217,
D14/100, 496, 341; D16/200-206, 208,
D16/212, 218-219, 241, 245; D25/119,
D25/122, 124, 126; 248/200, 300; 348/373-376;
396/531-541, 448, 427-428, 433, 176; 358/909.1
See application file for complete search history.

(56) **References Cited**

U.S. PATENT DOCUMENTS

3,419,044	A	*	12/1968	Daniels et al.	137/625.69
D364,884	S	*	12/1995	Shindo	D16/202
D504,691	S	*	5/2005	Ohno	D14/496
D505,428	S	*	5/2005	Yagihashi	D14/496
D508,711	S	*	8/2005	Suzuki	D16/218
D512,450	S	*	12/2005	Jinde	D16/202
D513,070	S	*	12/2005	Haranaka	D23/355
D520,547	S	*	5/2006	Yanagisawa et al.	D16/202

D521,038	S	*	5/2006	Takagi	D16/200
D521,043	S	*	5/2006	Takagi	D16/218
D522,555	S	*	6/2006	Choi	D16/202
D527,403	S	*	8/2006	Byun et al.	D16/202
D532,810	S	*	11/2006	Kim	D16/219
D543,227	S	*	5/2007	Hayashi	D16/219
D546,346	S	*	7/2007	Miyamori et al.	D14/496

* cited by examiner

Primary Examiner—Ian Simmons

Assistant Examiner—Wan Laymon

(74) *Attorney, Agent, or Firm*—Frishauf, Holtz, Goodman & Chick, P.C.

(57) **CLAIM**

The ornamental design for a digital camera, as shown and described.

DESCRIPTION

FIG. 1 is a front, right side, top perspective view of a digital camera showing my new design;

FIG. 2 is a front elevational view thereof;

FIG. 3 is a rear elevational view thereof;

FIG. 4 is a left side view thereof;

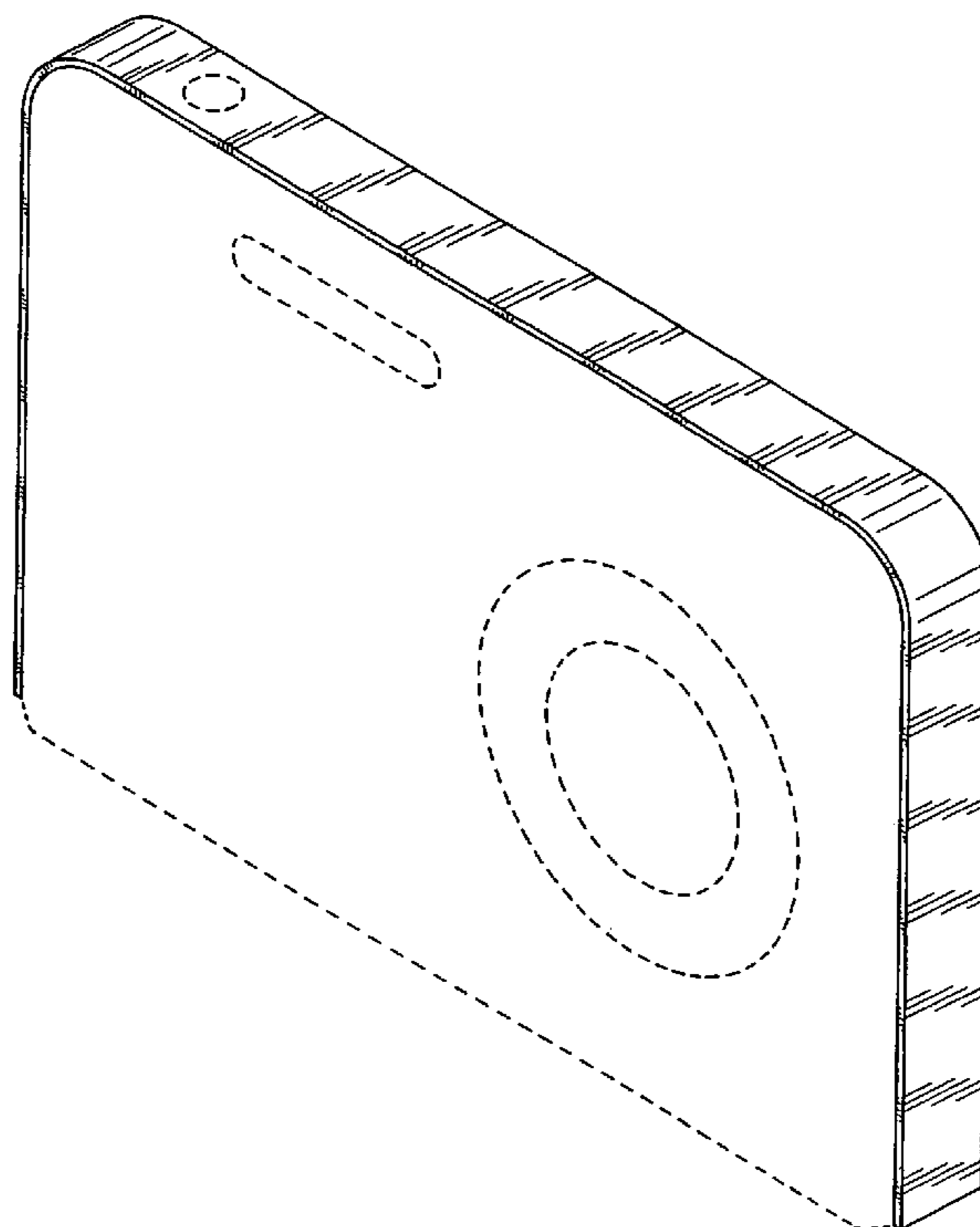
FIG. 5 is a right side view thereof;

FIG. 6 is a top plan view thereof; and,

FIG. 7 is a bottom plan view thereof.

The broken line showings are for illustrative purposes only and form no part of the claimed design.

1 Claim, 5 Drawing Sheets



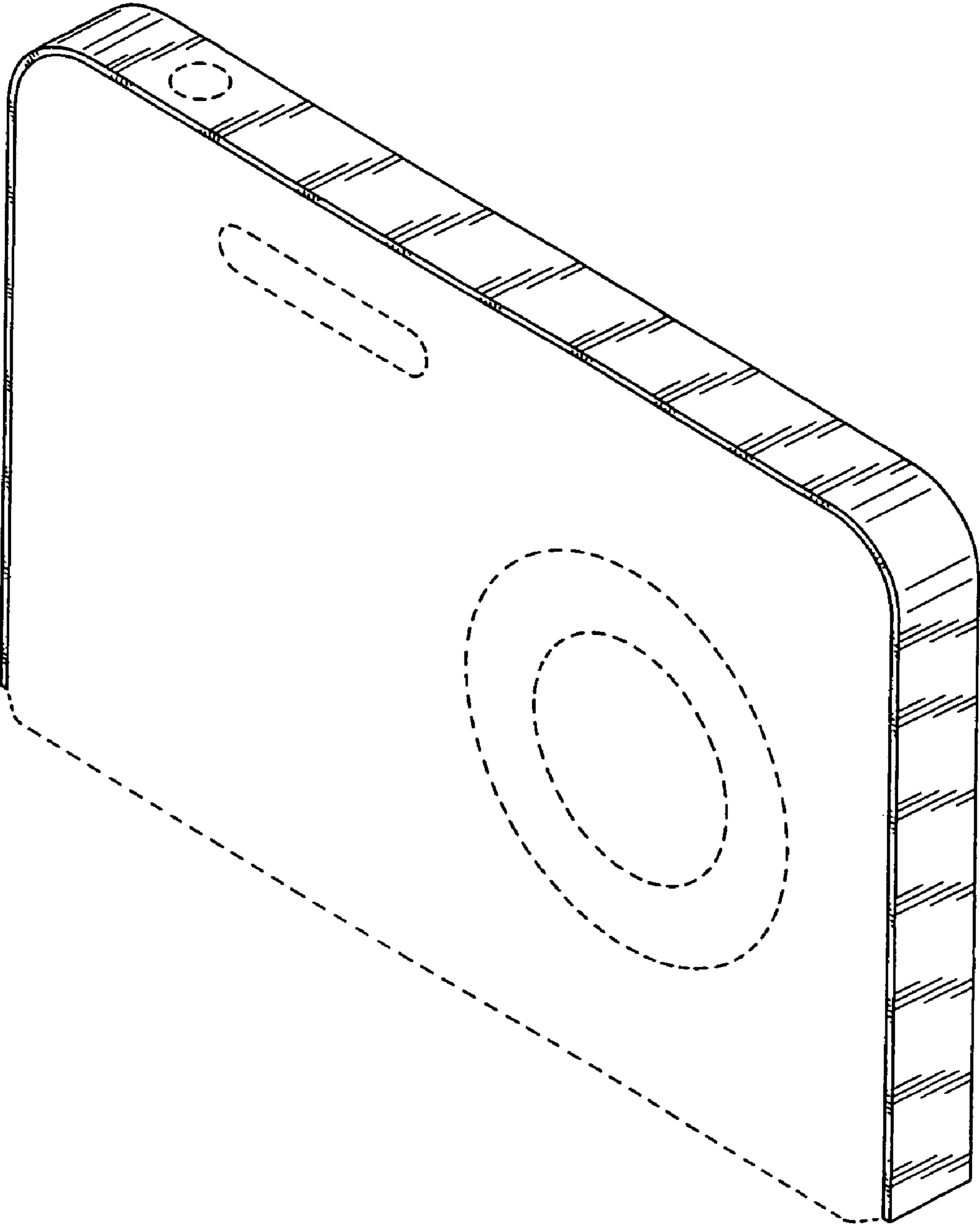


FIG. 1

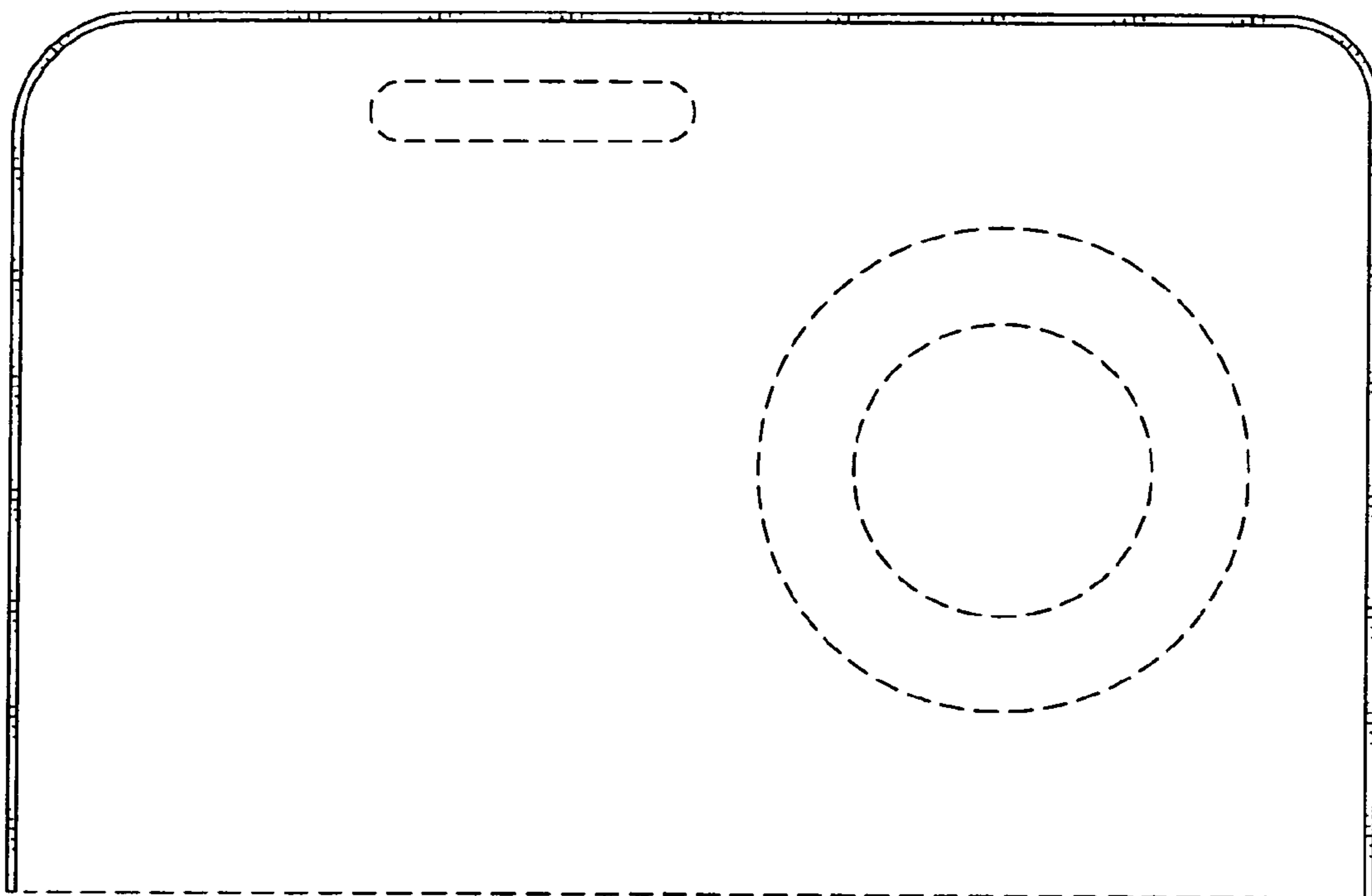


FIG. 2

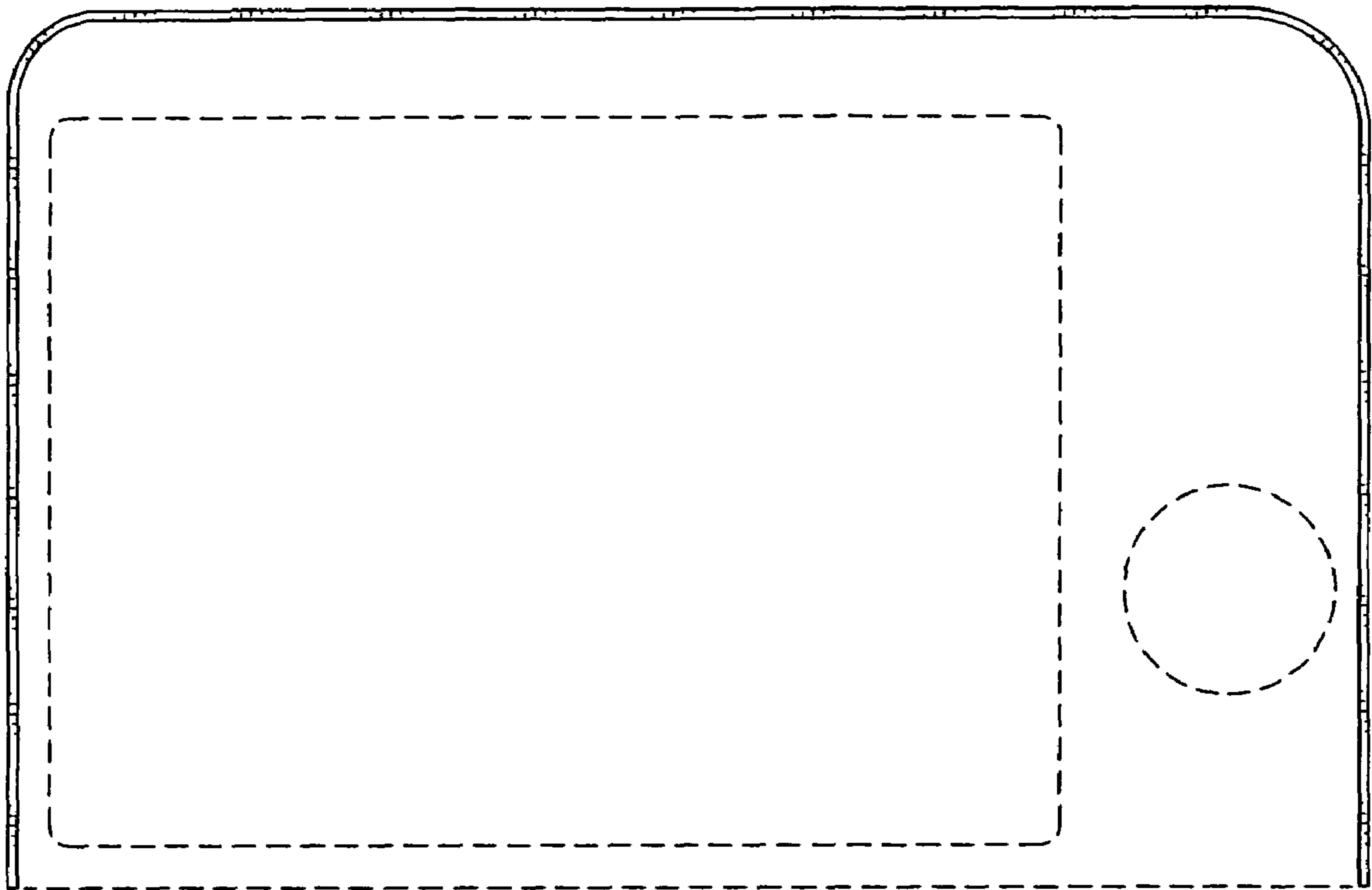


FIG. 3

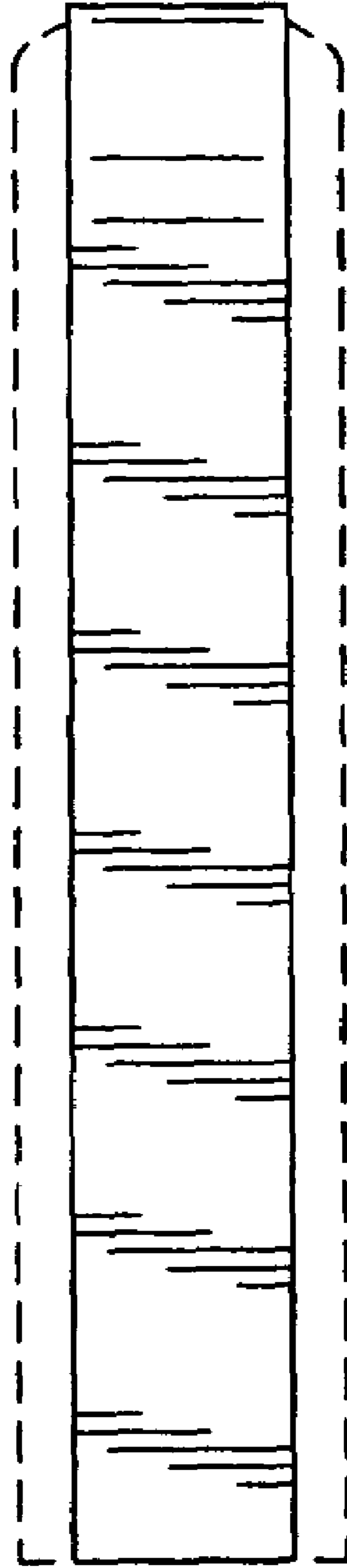


FIG. 4

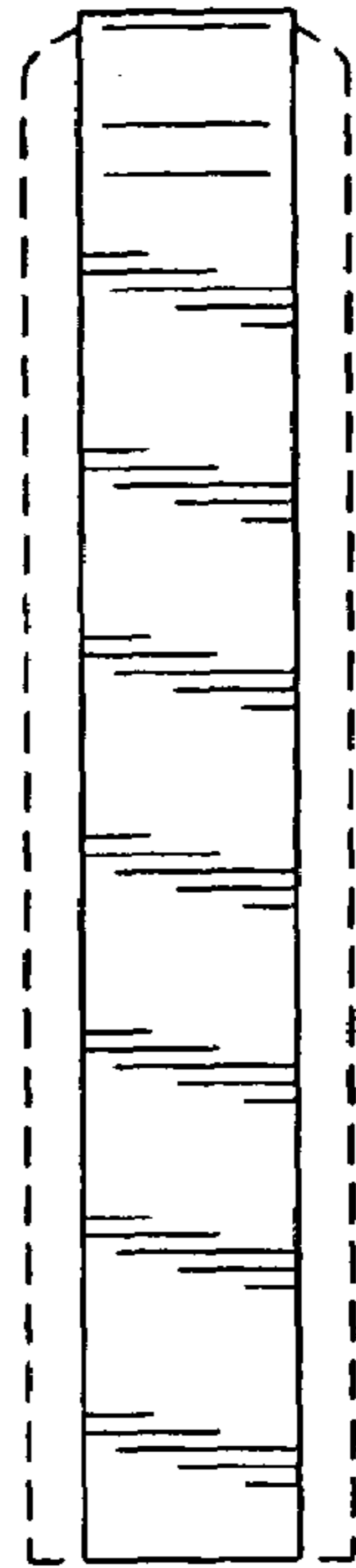


FIG. 5



FIG. 6



FIG. 7