

US00D561224S

(12) **United States Design Patent**
Horikiri et al.

(10) **Patent No.:** **US D561,224 S**

(45) **Date of Patent:** **** *Feb. 5, 2008**

(54) **ELECTRONIC CAMERA**

(75) Inventors: **Kazuhisa Horikiri**, Tokyo (JP);
Ryosuke Ogura, Tokyo (JP)

(73) Assignee: **Fujifilm Corporation**, Tokyo (JP)

(*) Notice: This patent is subject to a terminal disclaimer.

(**) Term: **14 Years**

(21) Appl. No.: **29/257,892**

(22) Filed: **Apr. 13, 2006**

(30) **Foreign Application Priority Data**

Oct. 13, 2005 (JP) 2005-029916

(51) **LOC (8) Cl.** **16-05**

(52) **U.S. Cl.** **D16/219; D16/202**

(58) **Field of Classification Search** D16/200-206,
D16/208, 212, 218-219; D8/349, 354; D12/223;
D25/119, 122, 124, 126; 348/373-376, 200,
348/300; 358/906, 909.1; 396/535-541,
396/427-428, 433, 176

See application file for complete search history.

(56) **References Cited**

U.S. PATENT DOCUMENTS

D301,304 S * 5/1989 Will D8/373
D381,338 S * 7/1997 Johansson D14/253
D384,574 S * 10/1997 Cox D8/349

D508,709 S * 8/2005 Watanabe D16/202
D521,038 S * 5/2006 Takagi D16/200
D532,434 S * 11/2006 Horikiri D16/212
D532,811 S * 11/2006 Horikiri D16/219
D532,812 S * 11/2006 Horikiri D16/219
D534,198 S * 12/2006 Horikiri D16/219
D538,322 S * 3/2007 Horikiri D16/202
D541,834 S * 5/2007 Horikiri et al. D16/202
2003/0142974 A1* 7/2003 Tanabe 396/448
2003/0152381 A1* 8/2003 Tanabe 396/448

* cited by examiner

Primary Examiner—Ian Simmons

Assistant Examiner—Wan Laymon

(74) *Attorney, Agent, or Firm*—Young & Thompson

(57) **CLAIM**

The ornamental design for an electronic camera, as shown and described.

DESCRIPTION

FIG. 1 is a top, front and side perspective view of an electronic camera showing our new design;

FIG. 2 is a front elevational view thereof;

FIG. 3 is a rear elevational view thereof;

FIG. 4 is a side elevational view thereof from the left of FIG. 2, the side elevational view thereof from the right of FIG. 2 being the mirror image thereof; and,

FIG. 5 is a top, front and side perspective view thereof with the front cover closed.

1 Claim, 3 Drawing Sheets

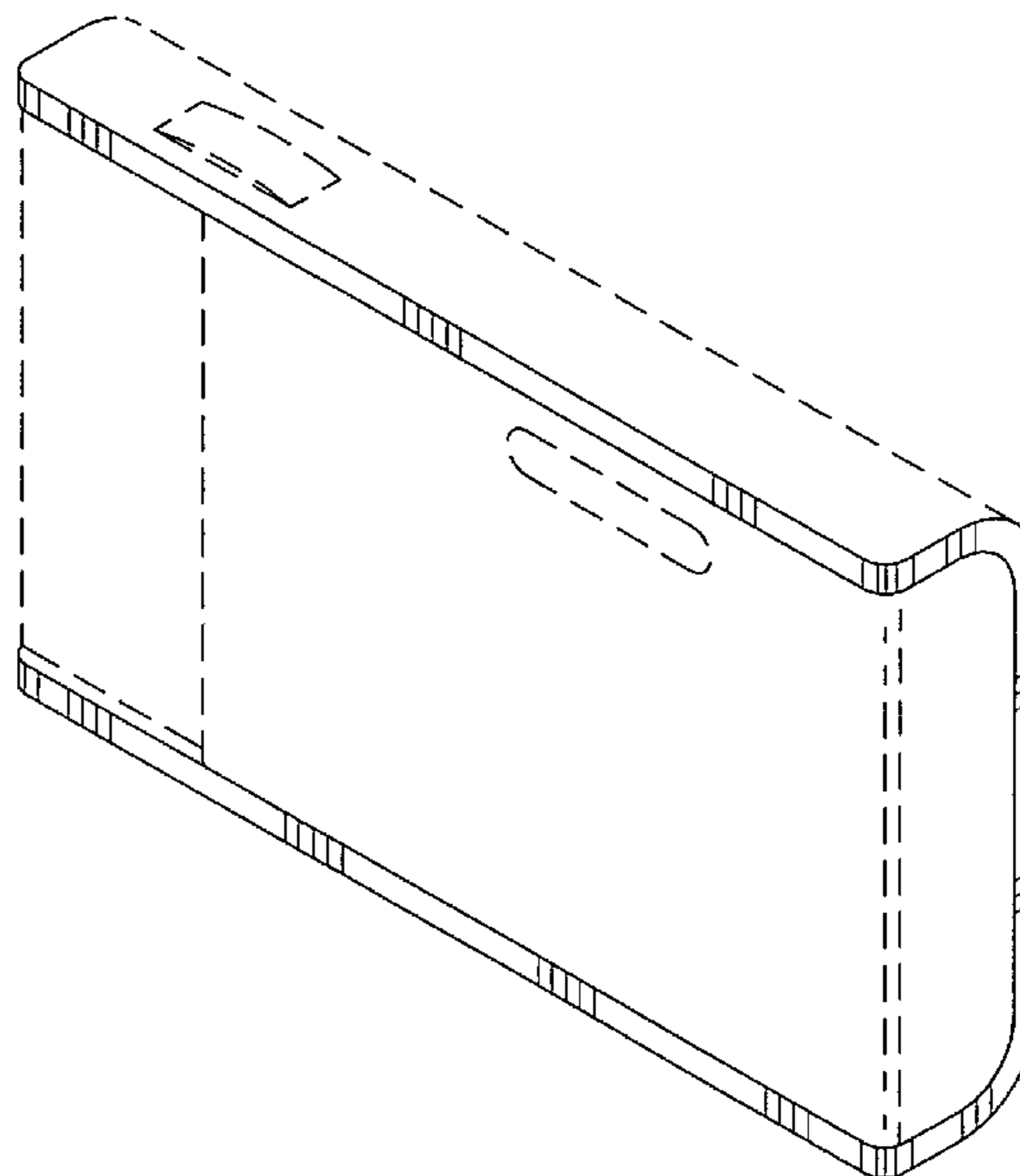
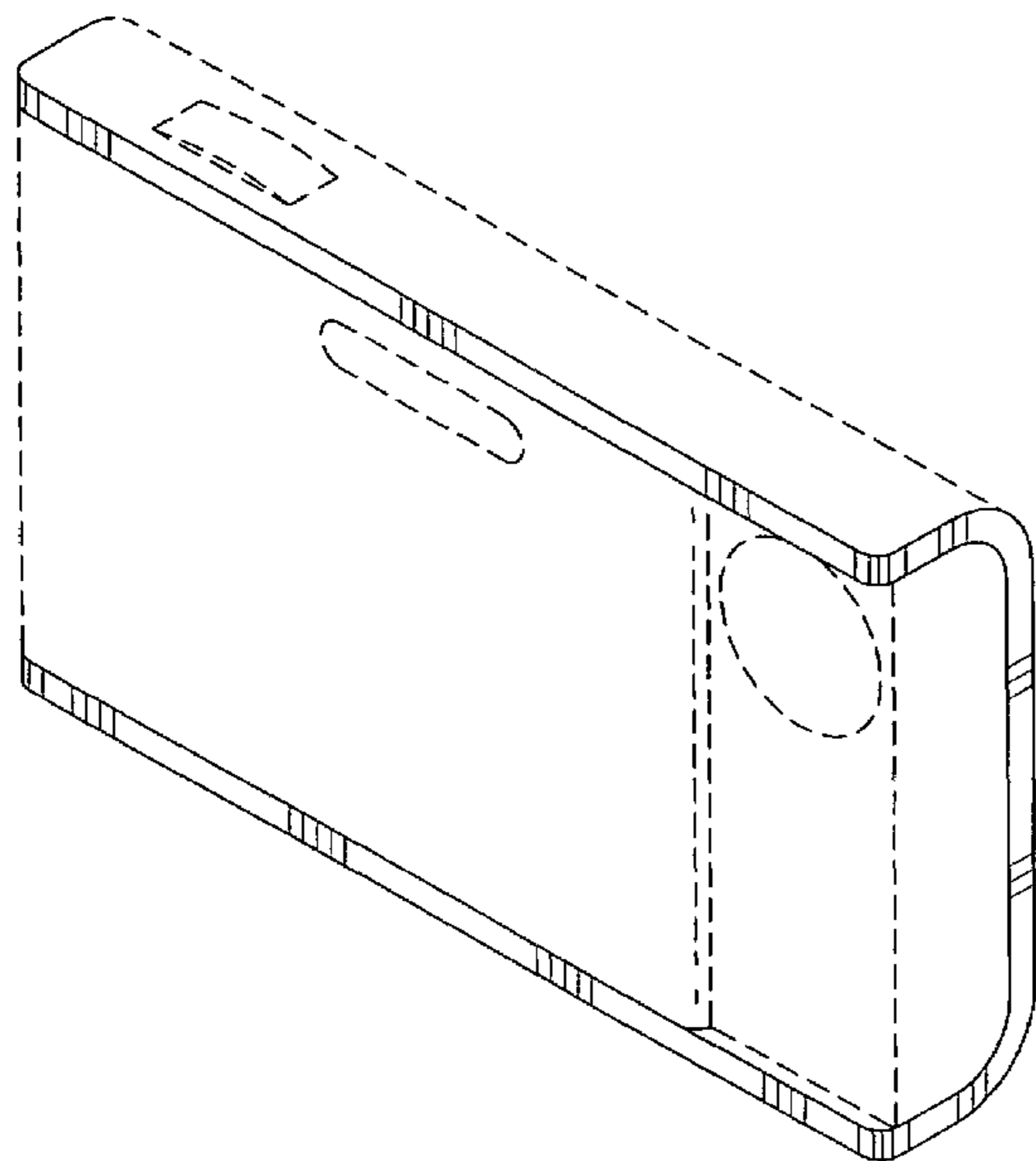


FIG. 1

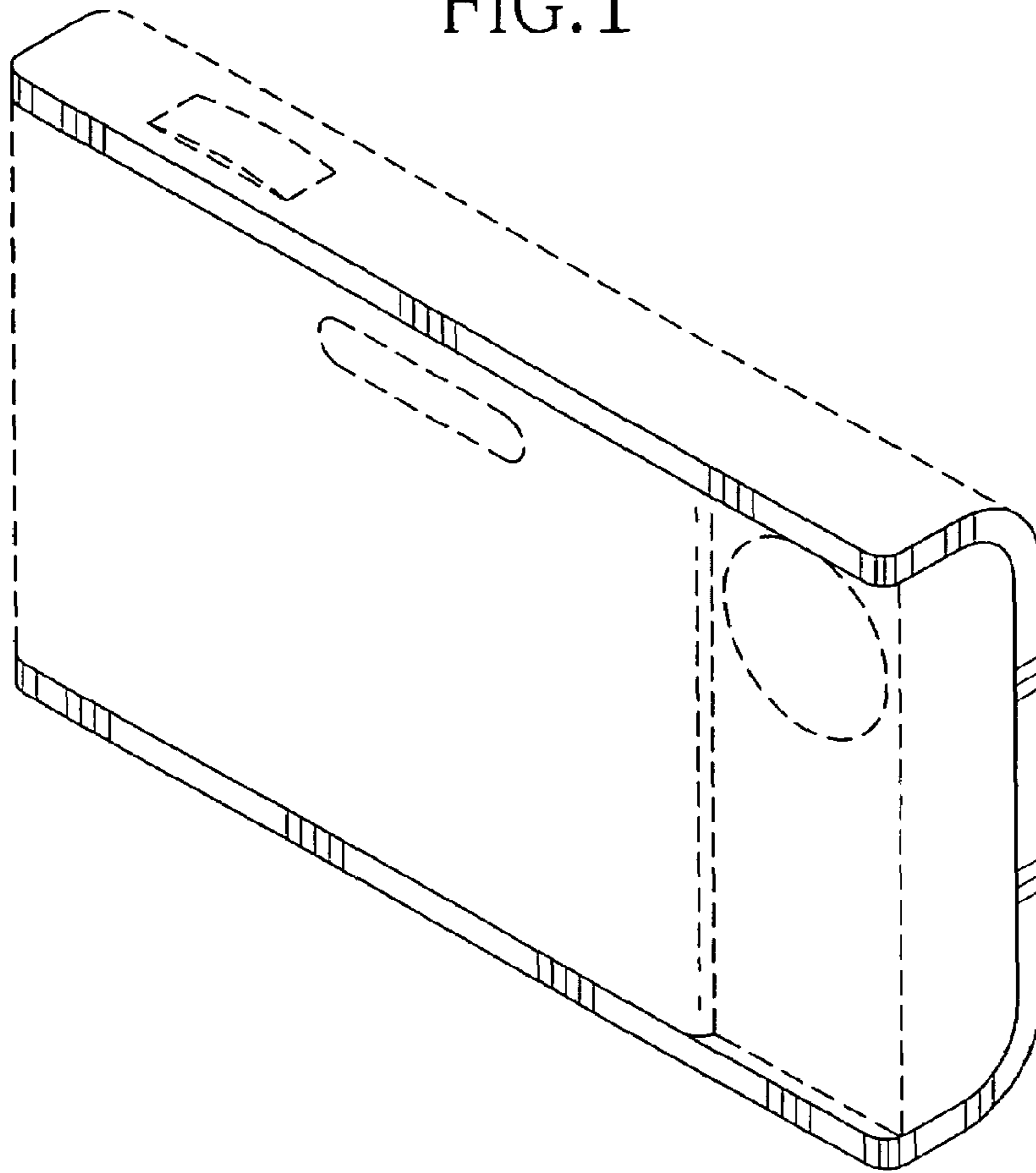


FIG. 2

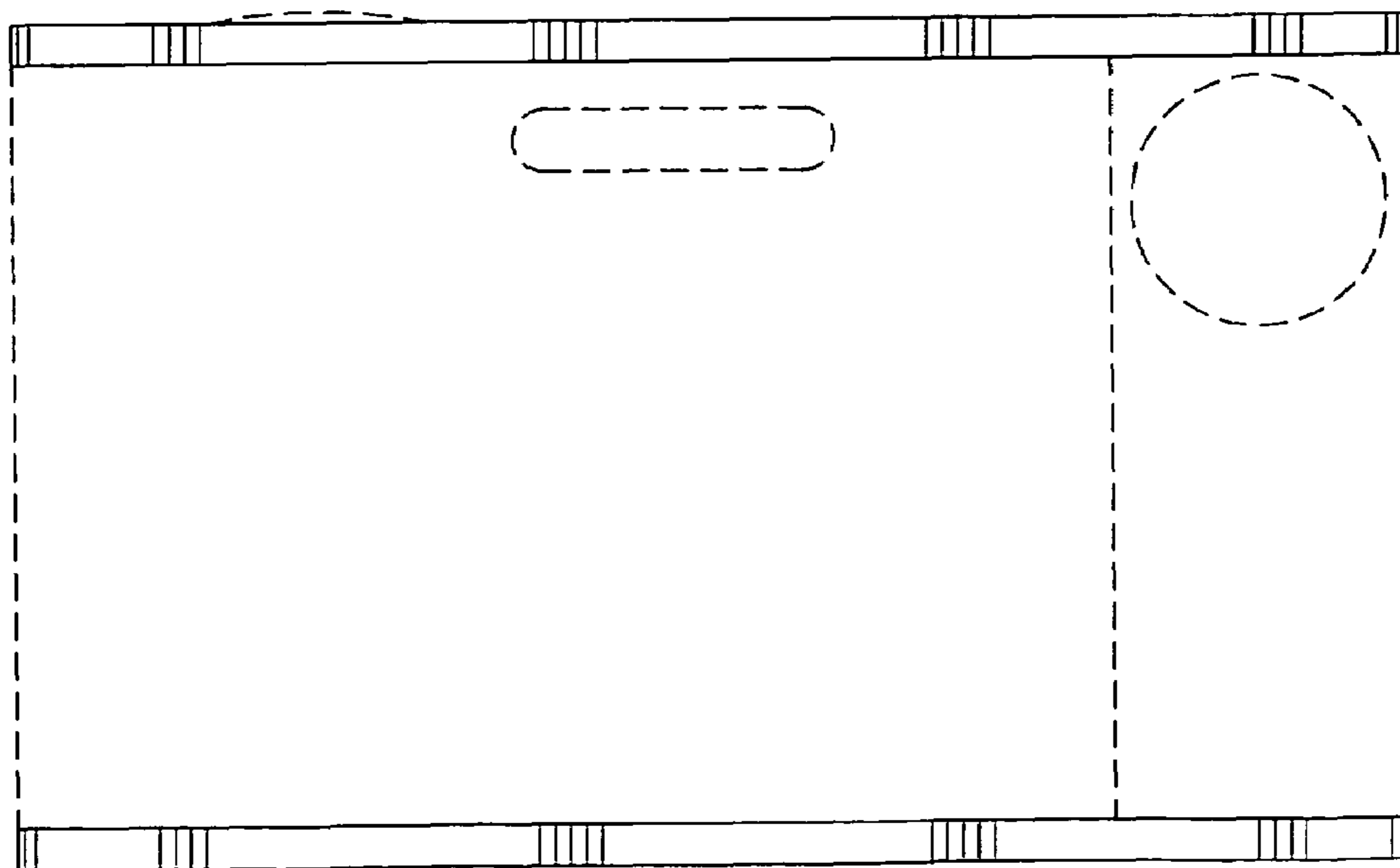


FIG. 3

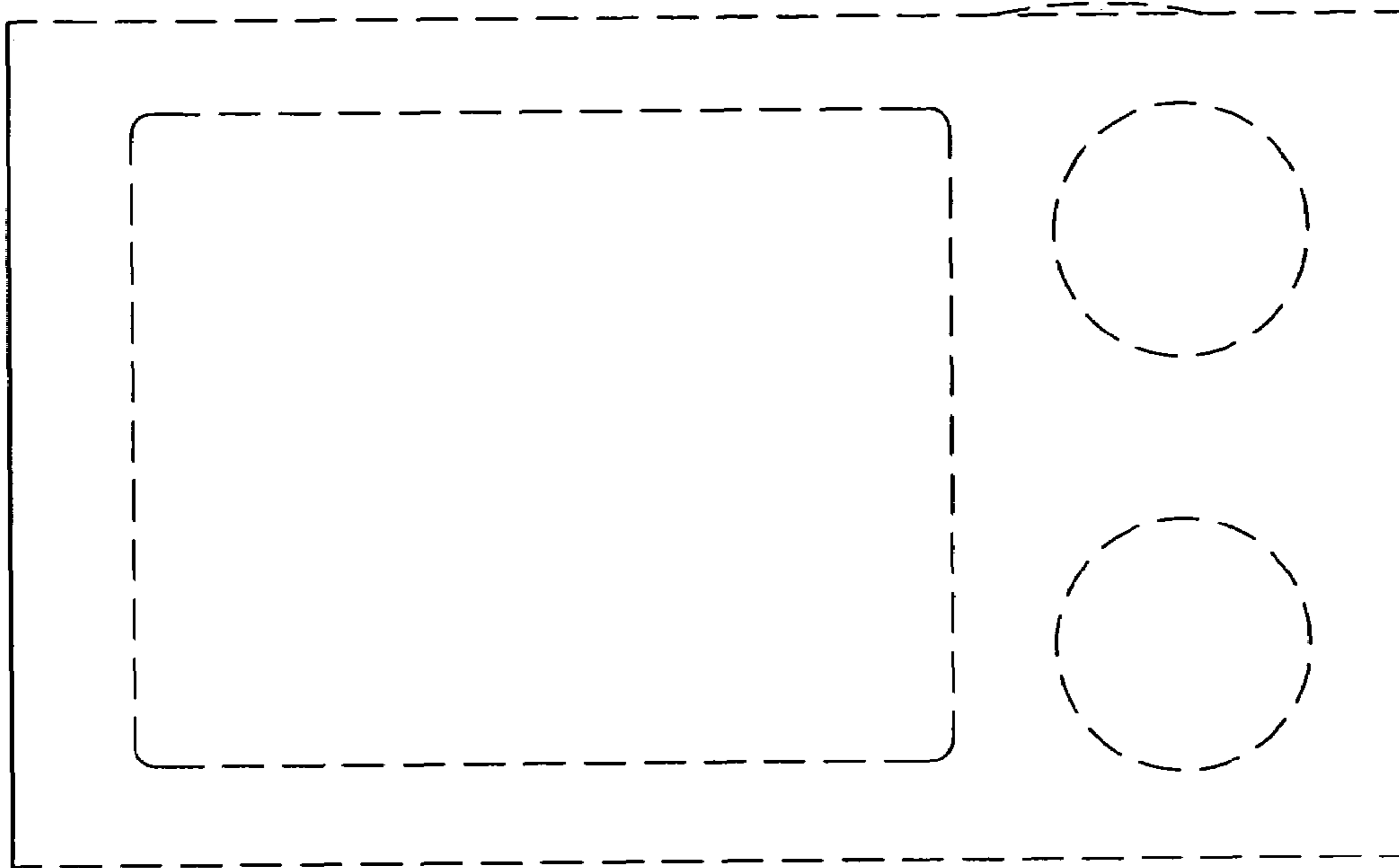


FIG. 4

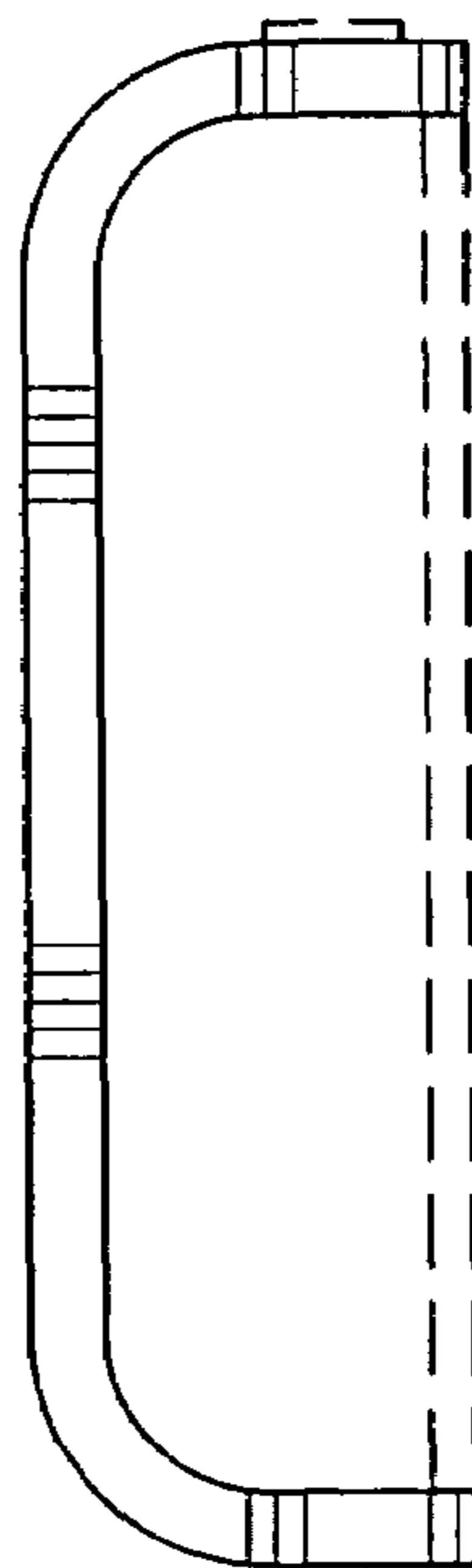


FIG. 5

