

US00D561222S

(12) **United States Design Patent**
Yoo et al.

(10) **Patent No.:** **US D561,222 S**

(45) **Date of Patent:** **** Feb. 5, 2008**

(54) **DIGITAL CAMERA**

(75) Inventors: **Seung Seup Yoo**, Seoul (KR); **Eun Kyung Lee**, Seoul (KR); **Sung Hwa Chang**, Seoul (KR)

(73) Assignee: **Samsung Techwin Co., Ltd.**, Changwon (KR)

(**) Term: **14 Years**

(21) Appl. No.: **29/265,854**

(22) Filed: **Sep. 7, 2006**

(30) **Foreign Application Priority Data**

Mar. 7, 2006 (KR) 30-2006-0008357

(51) **LOC (8) Cl.** **16-01**

(52) **U.S. Cl.** **D16/212; D16/202**

(58) **Field of Classification Search** D16/200-206,
D16/208, 218-219, 211, 216-217; 348/373-376;
358/906, 909.1

See application file for complete search history.

(56) **References Cited**

U.S. PATENT DOCUMENTS

5,557,356	A *	9/1996	Ishida et al.	396/537
D416,035	S *	11/1999	Hamamura	D16/212
6,104,882	A *	8/2000	Inazuka	396/539
D470,523	S *	2/2003	Basmadjian et al.	D16/212
D500,777	S *	1/2005	Basmadjian et al.	D16/212
D522,558	S *	6/2006	Murray	D16/212
D540,356	S *	4/2007	Ina et al.	D16/202

* cited by examiner

Primary Examiner—Jeffrey Asch

Assistant Examiner—Wan Laymon

(74) *Attorney, Agent, or Firm*—Drinker Biddle & Reath LLP

(57) **CLAIM**

The ornamental design for a digital camera, as shown and described.

DESCRIPTION

FIG. 1 is a front perspective view of a digital camera, with the viewer retracted;

FIG. 2 is a front elevation view of the design of FIG. 1;

FIG. 3 is a rear elevation view of the design of FIG. 1;

FIG. 4 is a left side view of the design of FIG. 1;

FIG. 5 is a right side view of the design of FIG. 1;

FIG. 6 is a top view of the design of FIG. 1;

FIG. 7 is a bottom view of the design of FIG. 1;

FIG. 8 is a front perspective view thereof, with the viewer extended;

FIG. 9 is a front elevation view of the design of FIG. 8;

FIG. 10 is a rear elevation view of the design of FIG. 8;

FIG. 11 is a left side view of the design of FIG. 8;

FIG. 12 is a right side view of the design of FIG. 8;

FIG. 13 is a top view of the design of FIG. 8; and,

FIG. 14 is a bottom view of the design of FIG. 8.

1 Claim, 4 Drawing Sheets

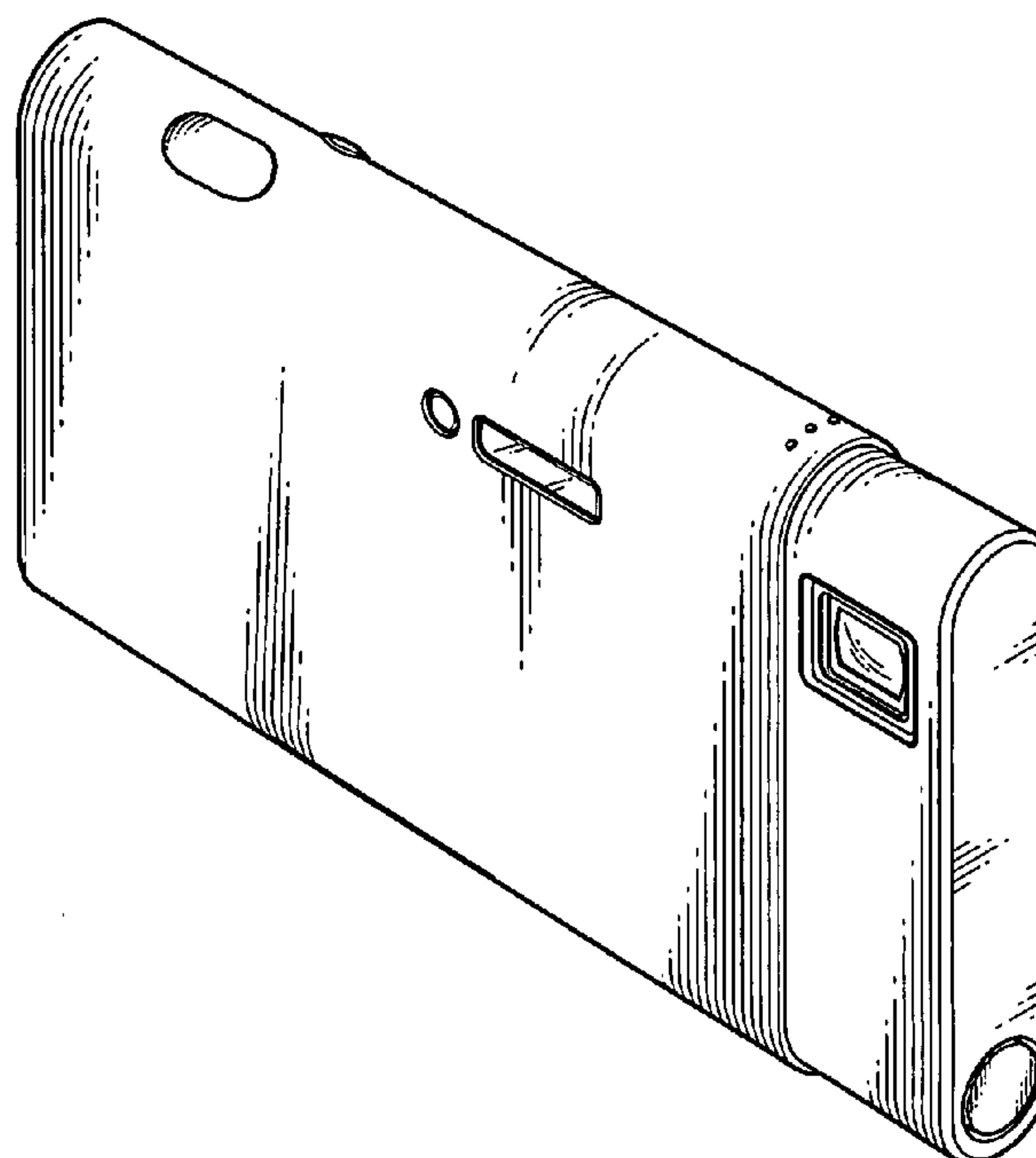
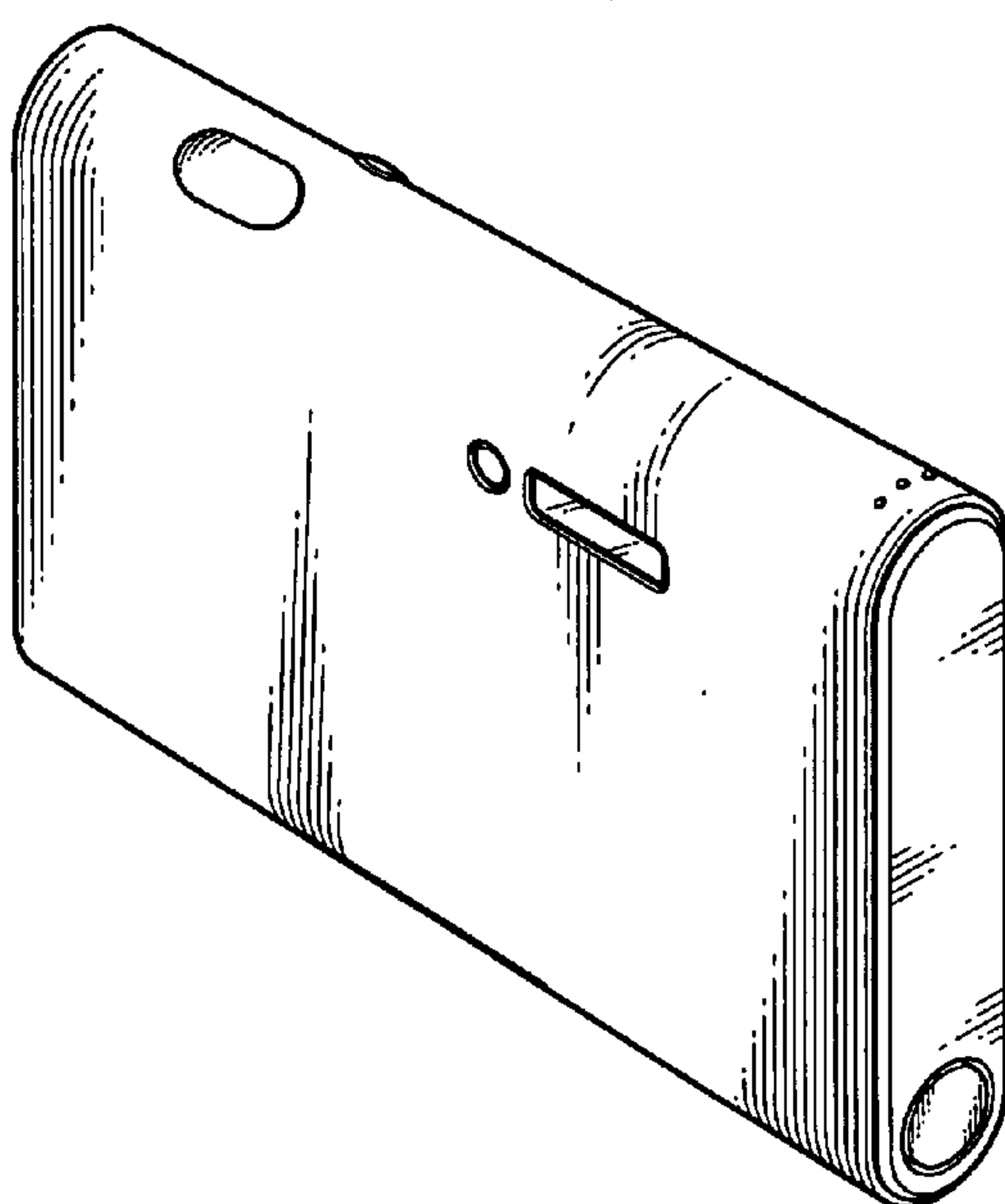


FIG. 3

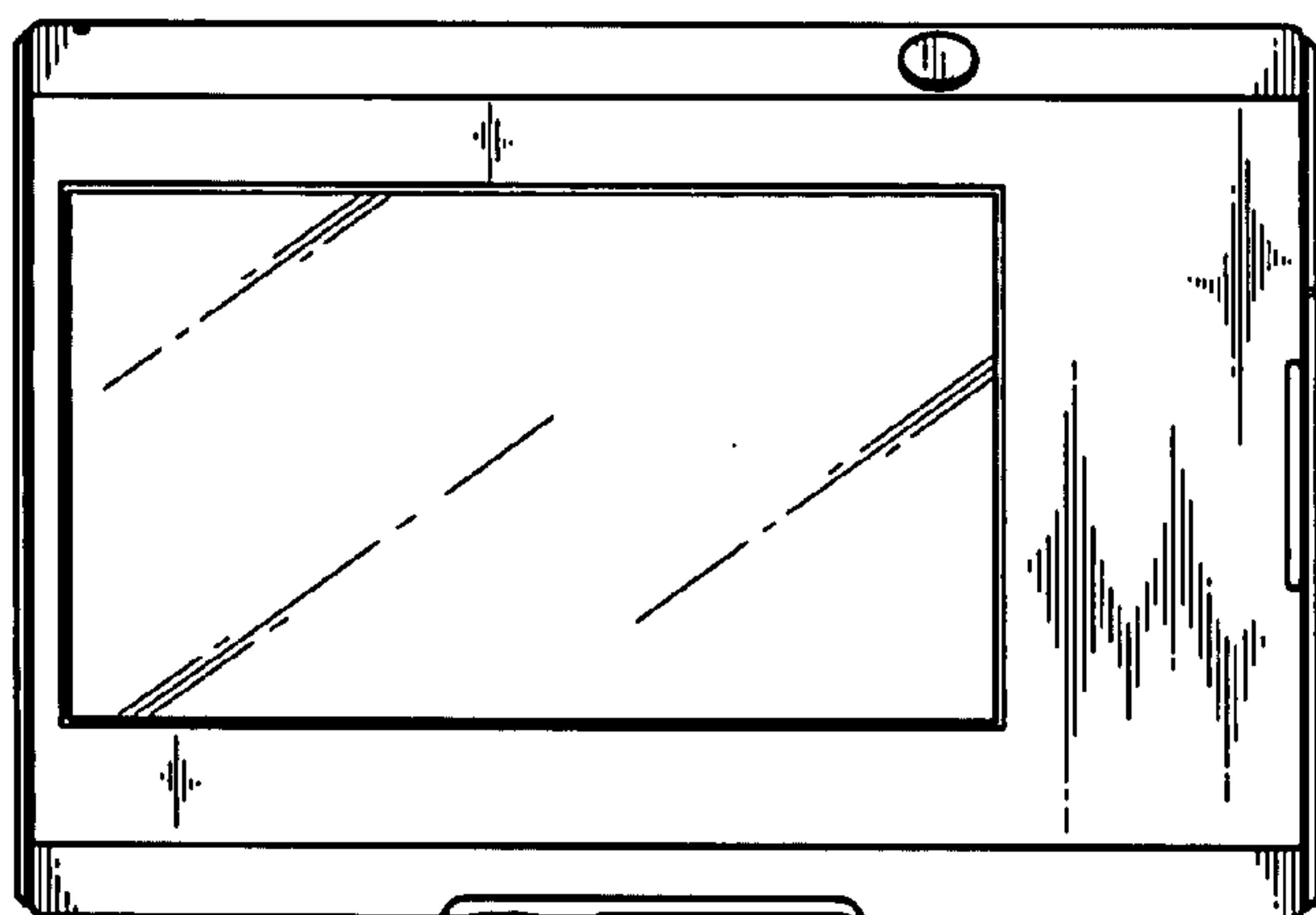


FIG. 1

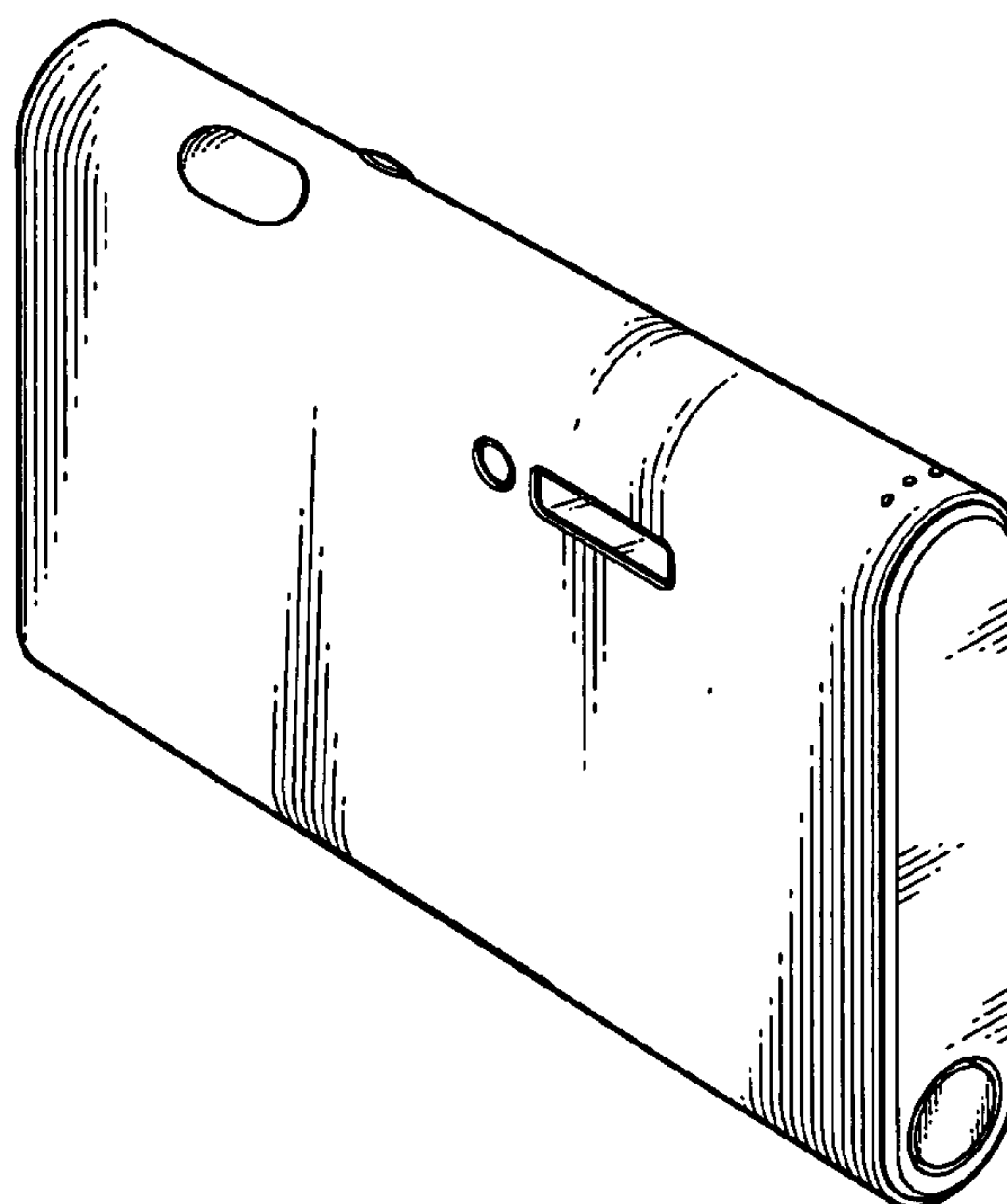


FIG. 6

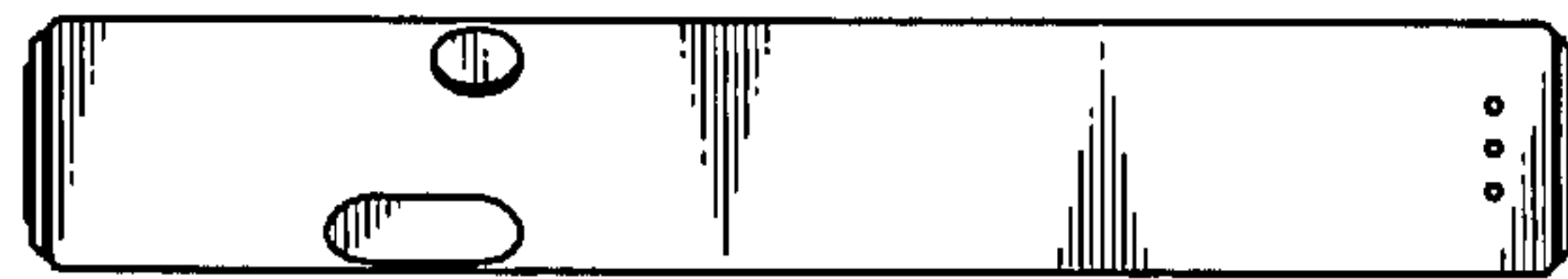


FIG. 4

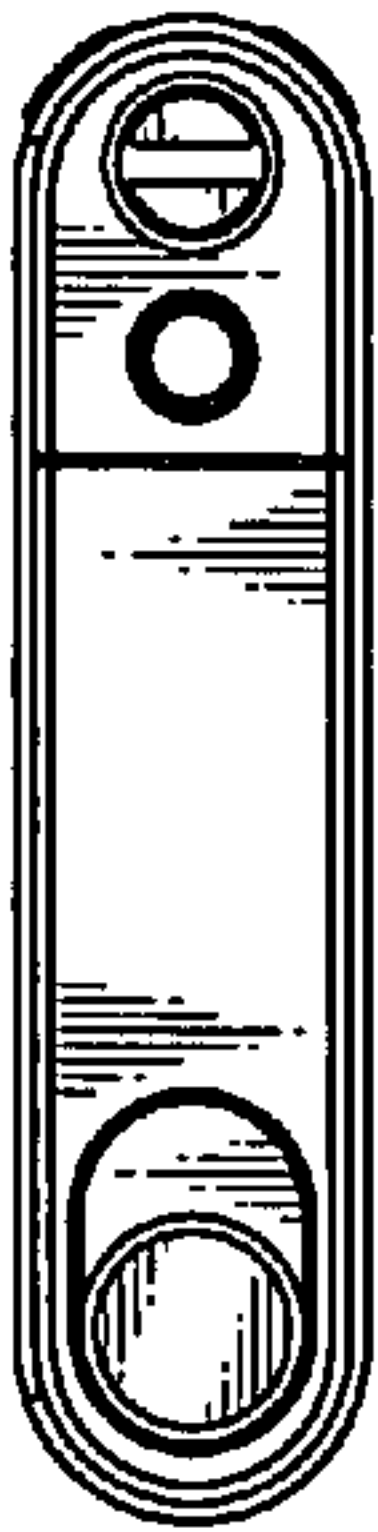


FIG. 2

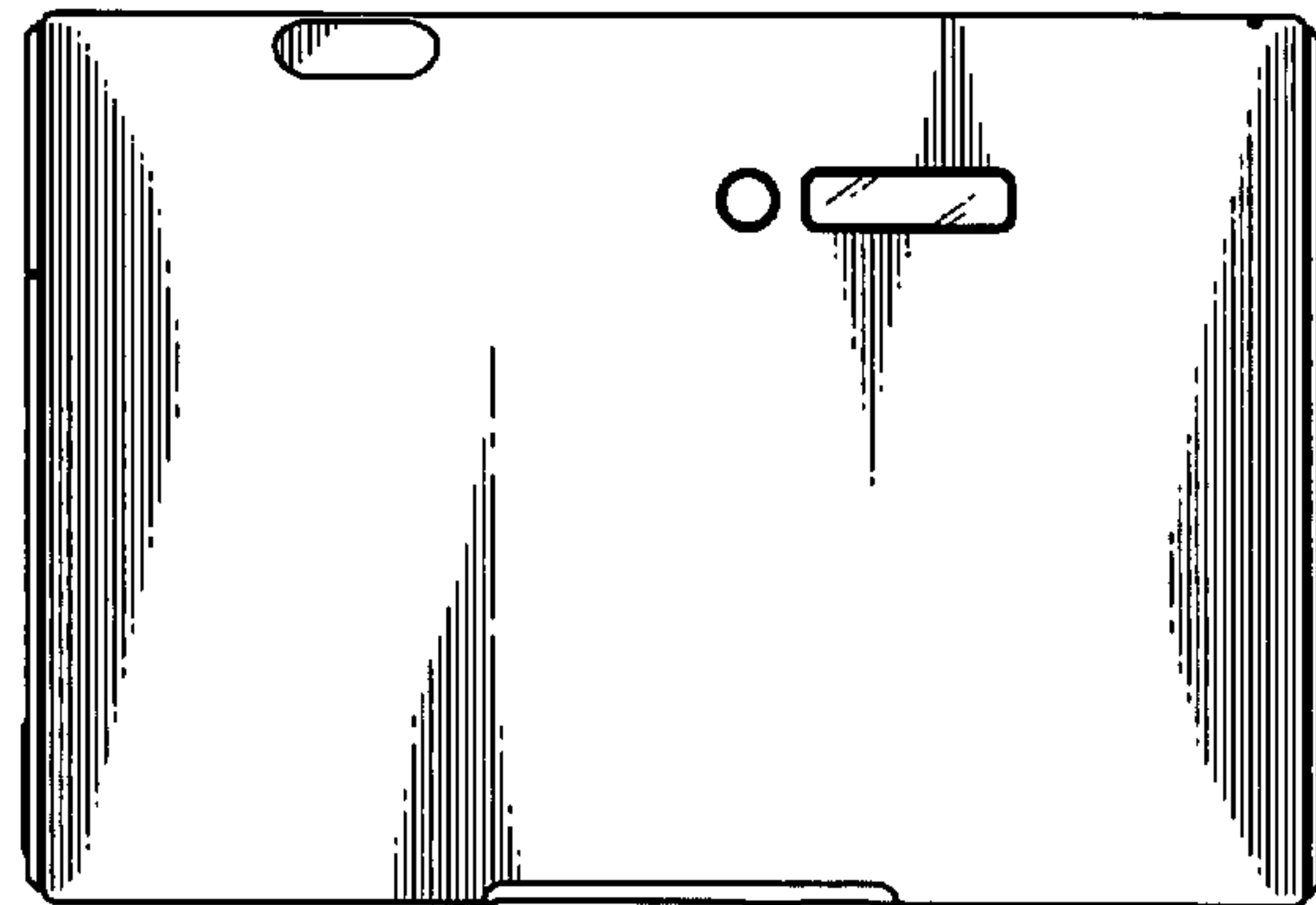


FIG. 5



FIG. 7

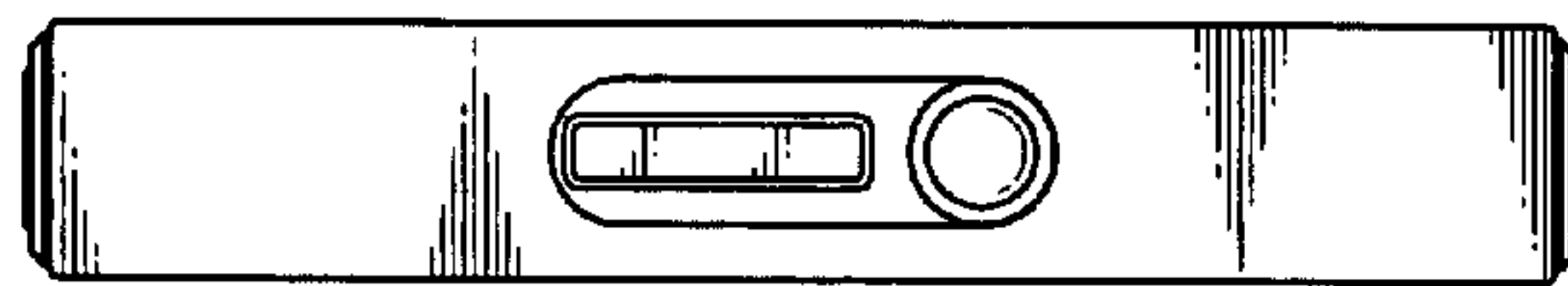


FIG. 10

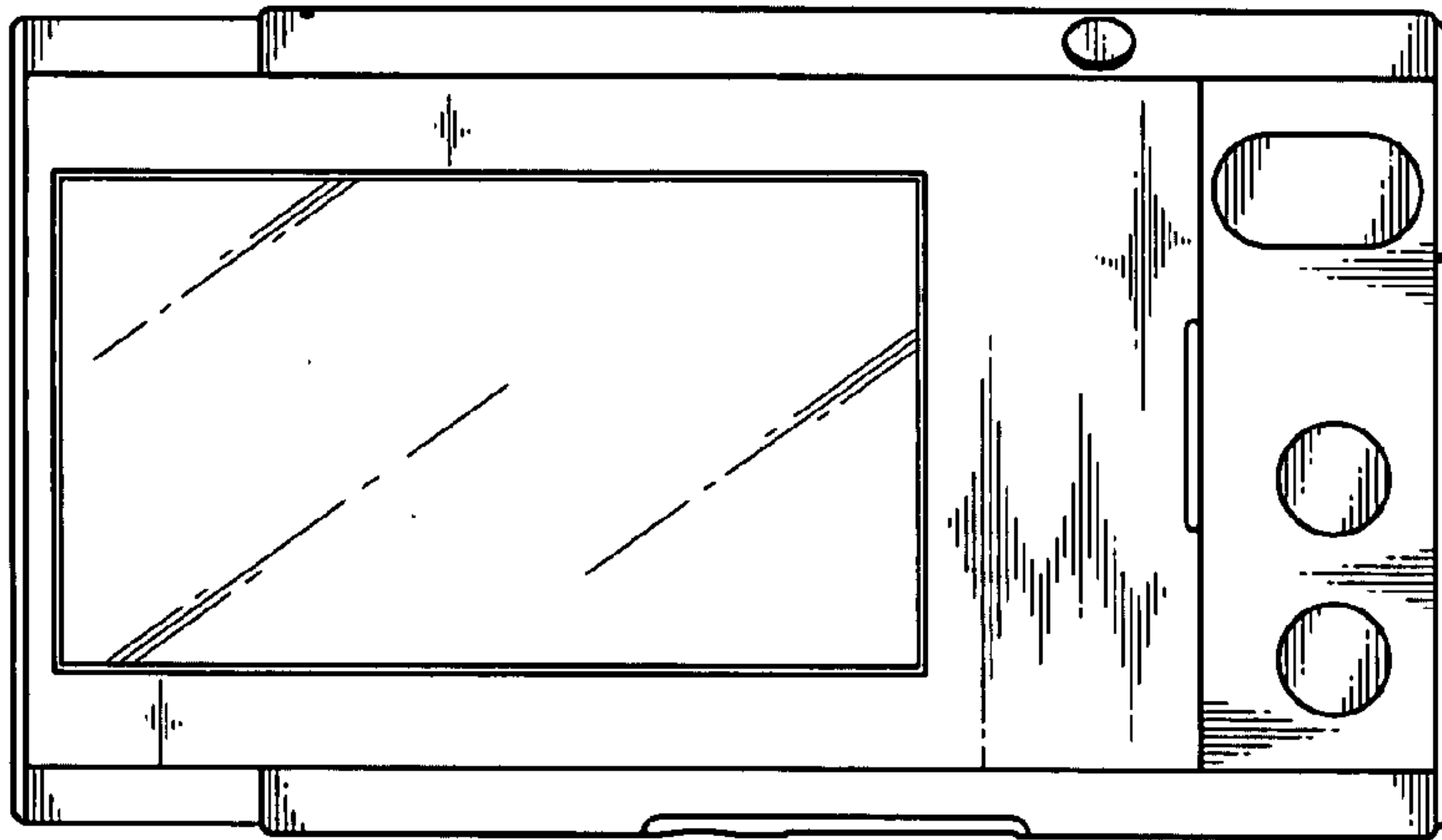


FIG. 8

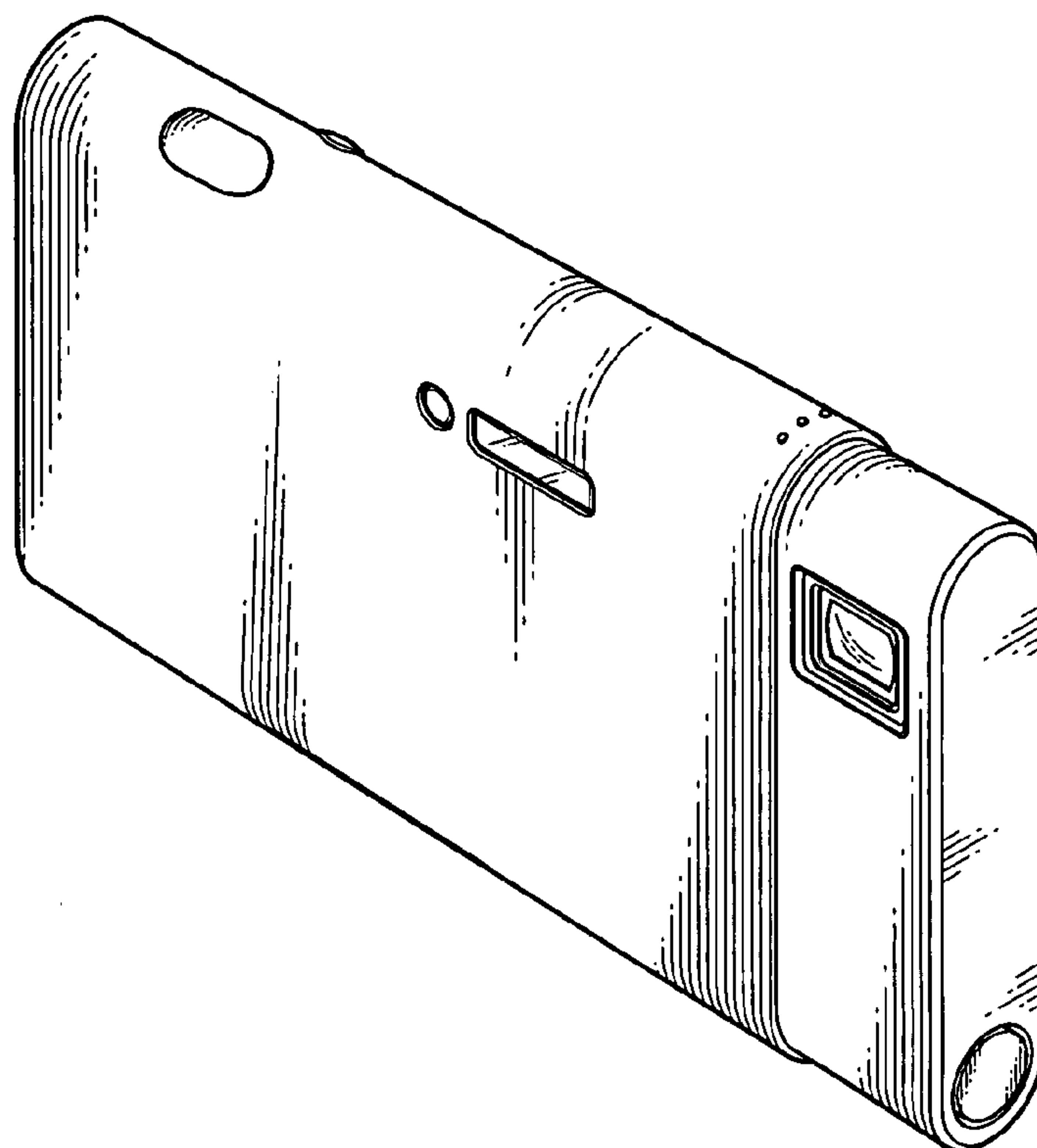


FIG. 13



FIG. 11

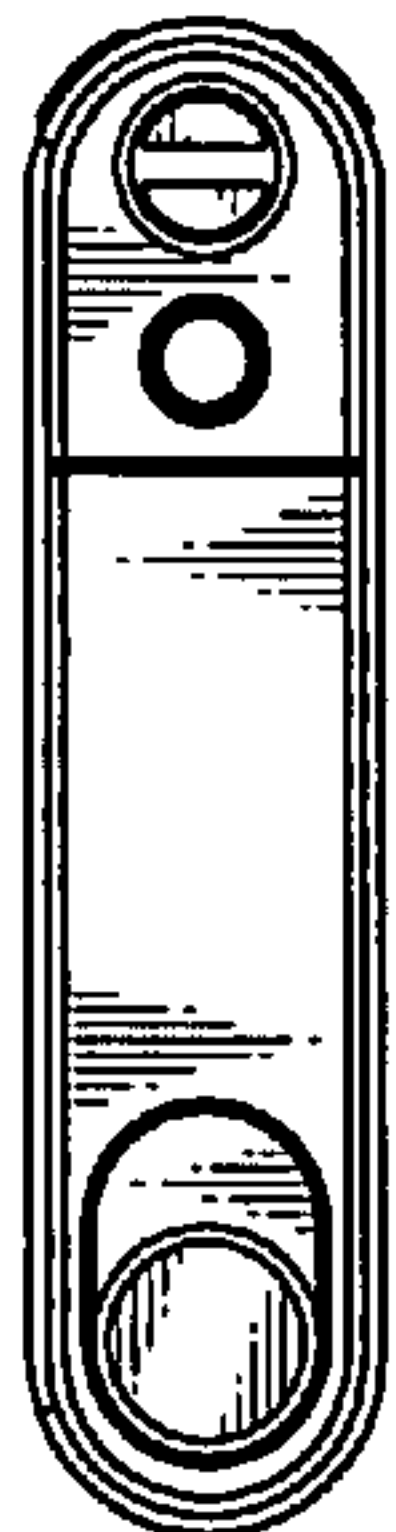


FIG. 9

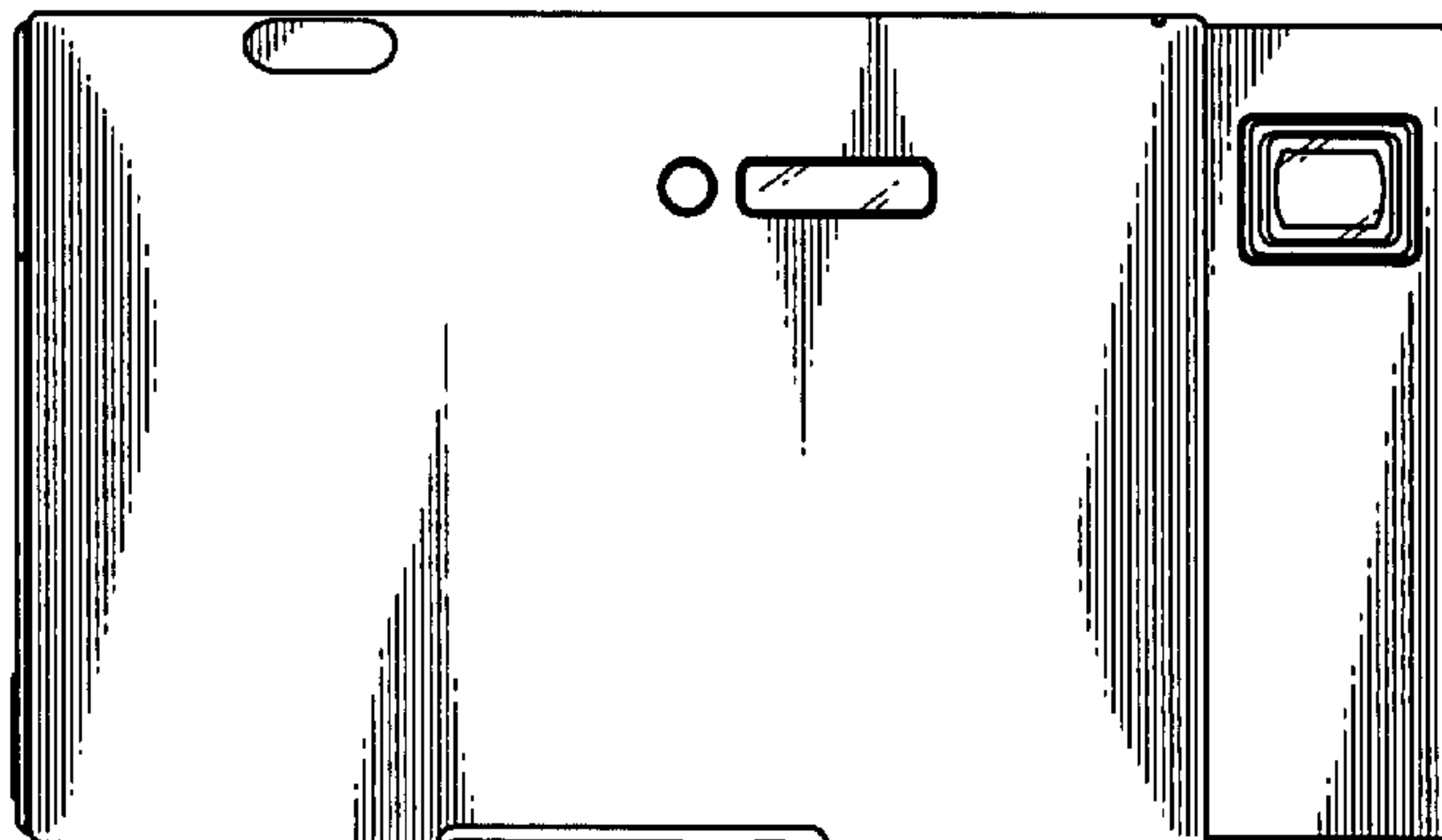


FIG. 12



FIG. 14

