



US00D561221S

(12) **United States Design Patent**
Ogura et al.

(10) **Patent No.:** **US D561,221 S**

(45) **Date of Patent:** **** Feb. 5, 2008**

(54) **ELECTRONIC CAMERA**

2006/0181639 A1* 8/2006 Ueda et al. 348/376
2006/0192890 A1* 8/2006 Watanabe et al. 348/373

(75) Inventors: **Ryosuke Ogura**, Tokyo (JP); **Kazuhisa Horikiri**, Tokyo (JP)

* cited by examiner

(73) Assignee: **Fujifilm Corporation**, Tokyo (JP)

Primary Examiner—Ian Simmons

Assistant Examiner—Wan Laymon

(**) Term: **14 Years**

(74) *Attorney, Agent, or Firm*—Young & Thompson

(21) Appl. No.: **29/264,842**

(57) **CLAIM**

(22) Filed: **Aug. 21, 2006**

The ornamental design for an electronic camera, as shown and described.

(30) **Foreign Application Priority Data**

Feb. 22, 2006 (JP) 2006-004090

DESCRIPTION

(51) **LOC (8) Cl.** **16-01**

FIG. 1 is a top, front and side perspective view of an electronic camera showing our new design;

(52) **U.S. Cl.** **D16/212; D16/202**

FIG. 2 is a front elevational view thereof;

(58) **Field of Classification Search** D16/200–206,
D16/208–209, 217–219; 348/373–376; 358/906,
358/909.1; 396/349, 448, 535–541

FIG. 3 is a rear elevational view thereof;

See application file for complete search history.

FIG. 4 is a top plan view thereof;

FIG. 5 is a bottom plan view thereof;

(56) **References Cited**

FIG. 6 is a side elevational view thereof from the left of FIG. 2;

U.S. PATENT DOCUMENTS

5,980,121 A * 11/1999 Fujisaki 396/349

FIG. 7 is a side elevational view thereof from the right of FIG. 2; and,

D508,711 S * 8/2005 Suzuki D16/218

FIG. 8 is atop, front and side perspective view of an electronic camera showing the front cover in a closed position.

D519,539 S * 4/2006 Takagi D16/202

D522,555 S * 6/2006 Choi D16/202

D532,434 S * 11/2006 Horikiri D16/212

D541,834 S * 5/2007 Horikiri et al. D16/202

2004/0190891 A1* 9/2004 Yamane 396/349

1 Claim, 4 Drawing Sheets

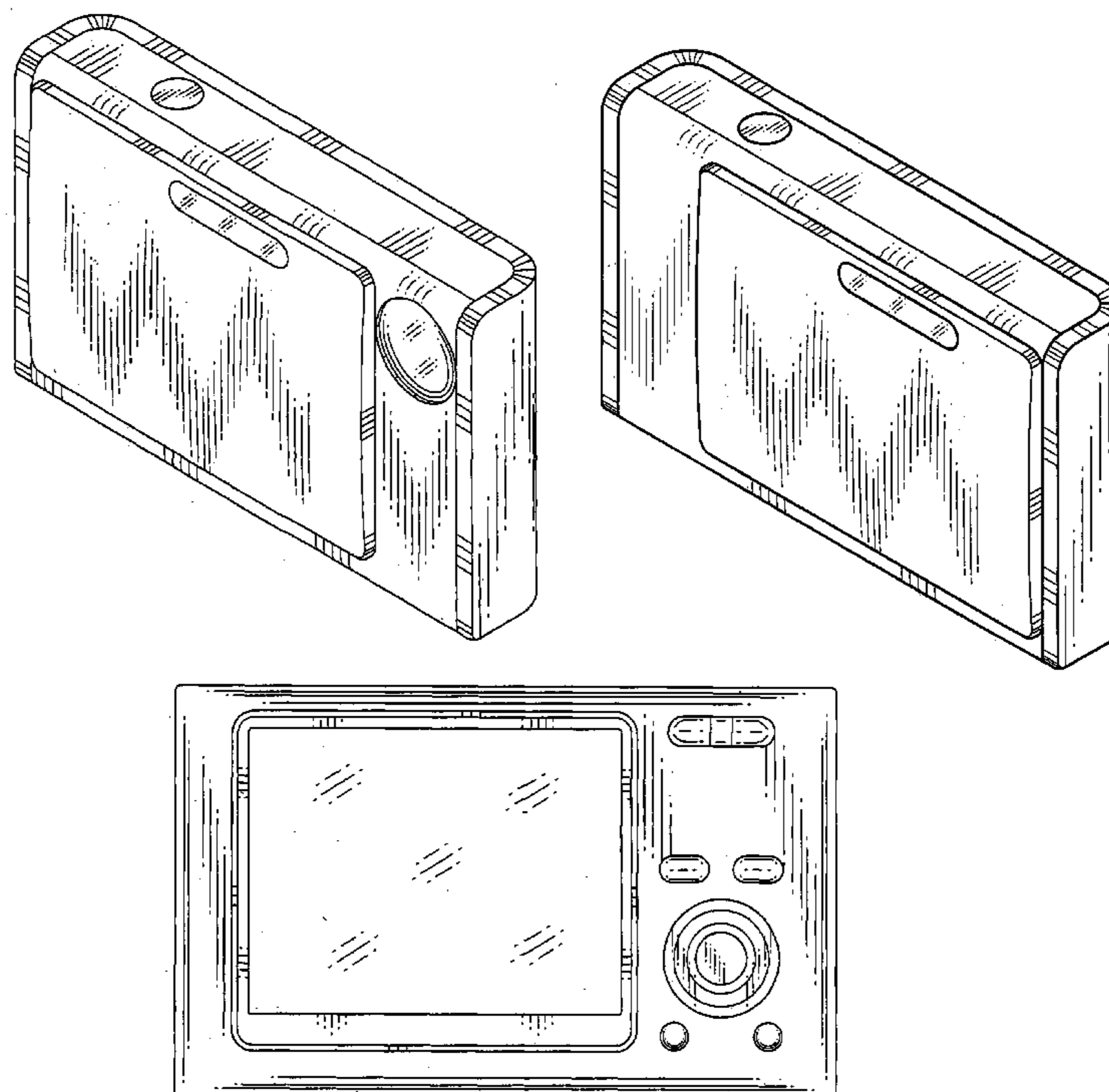


FIG.1

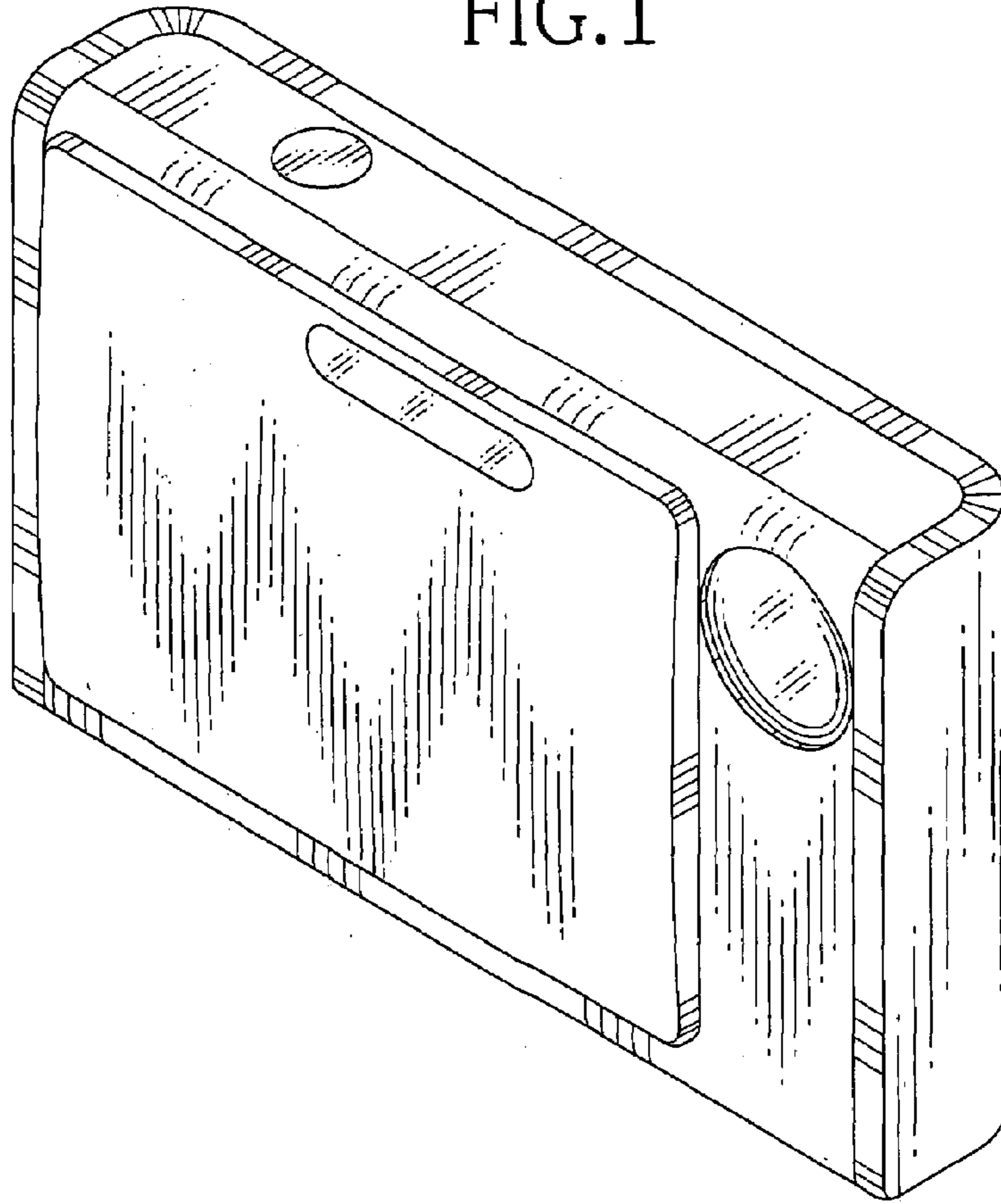


FIG.2

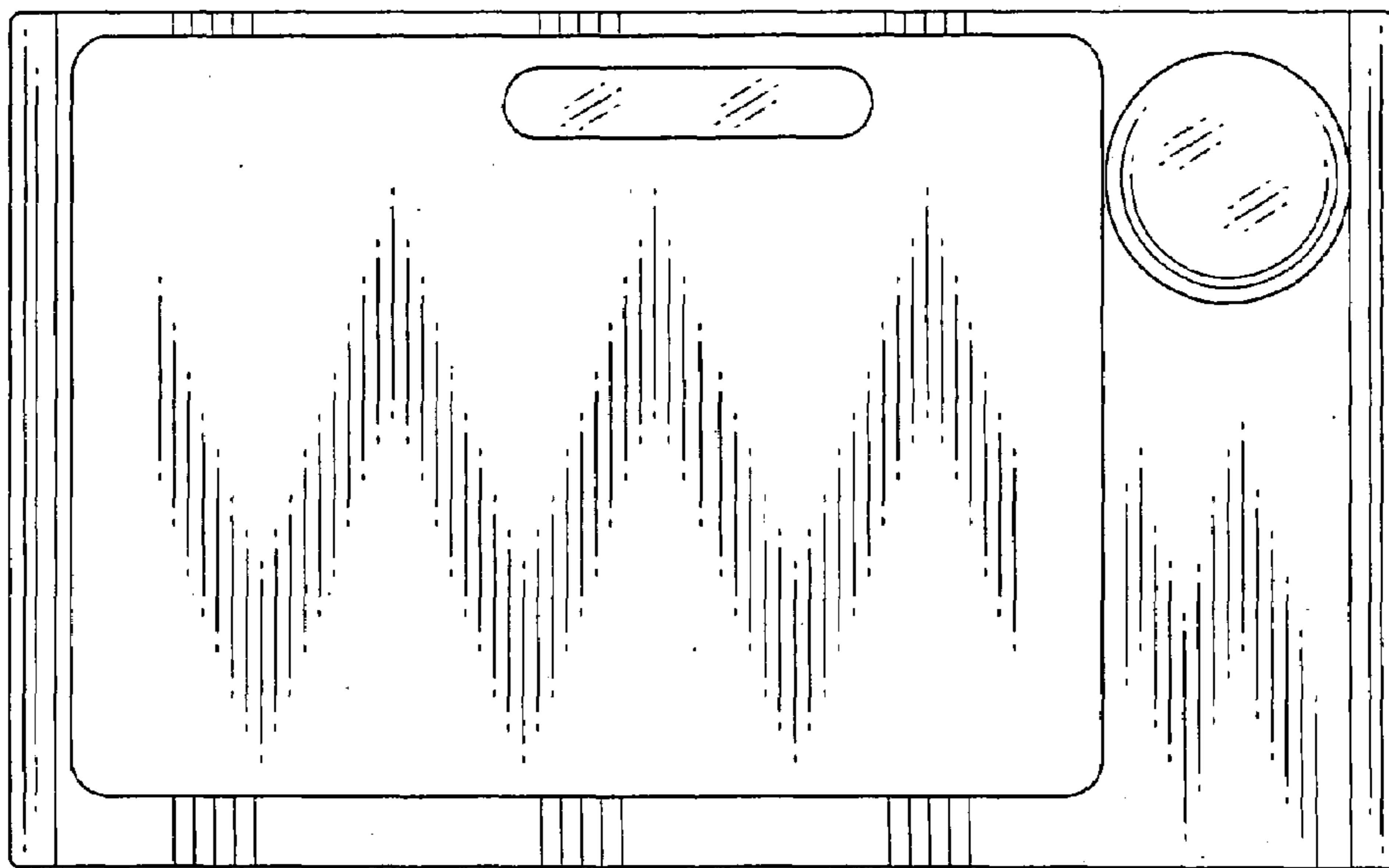


FIG.3

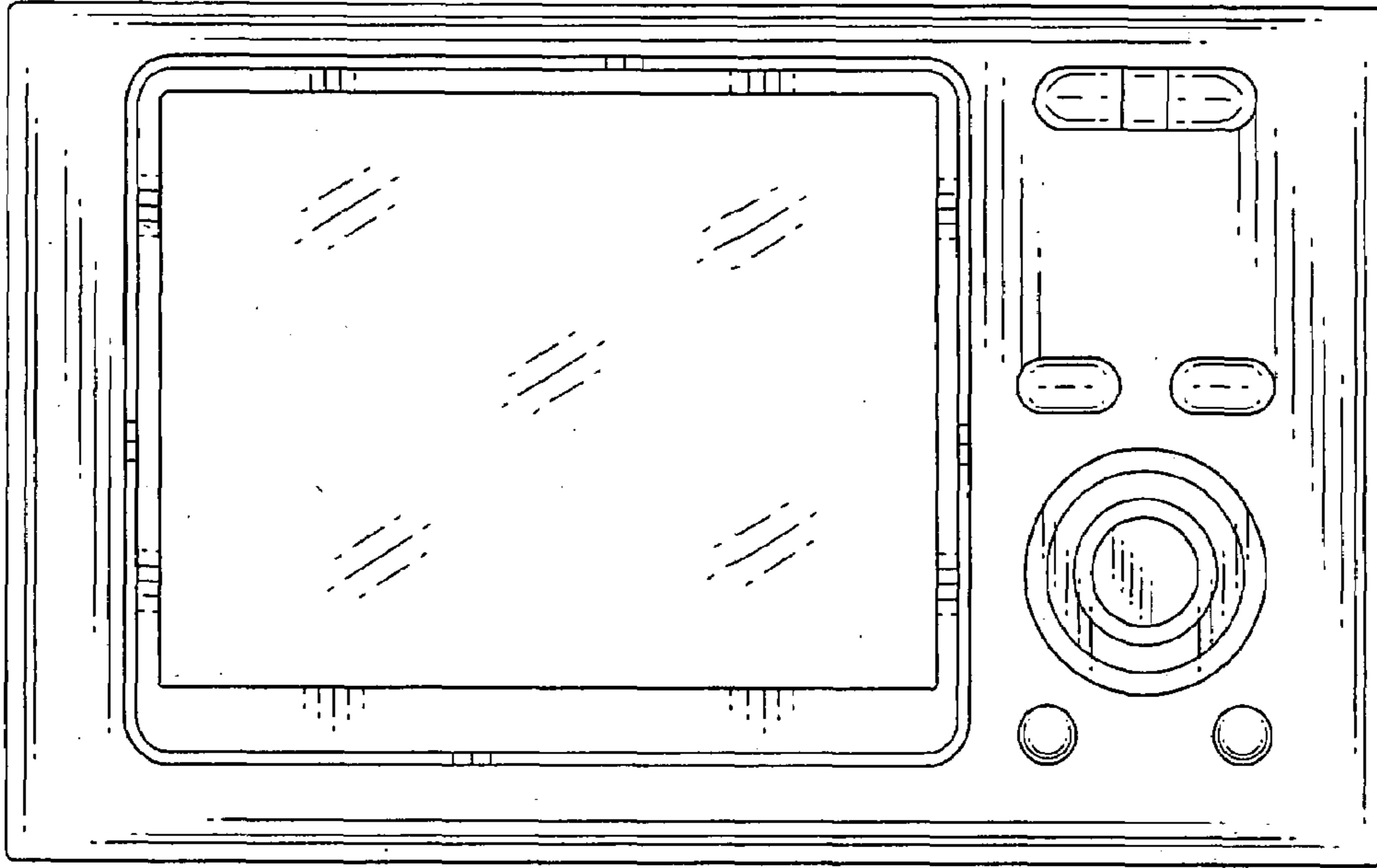


FIG.4

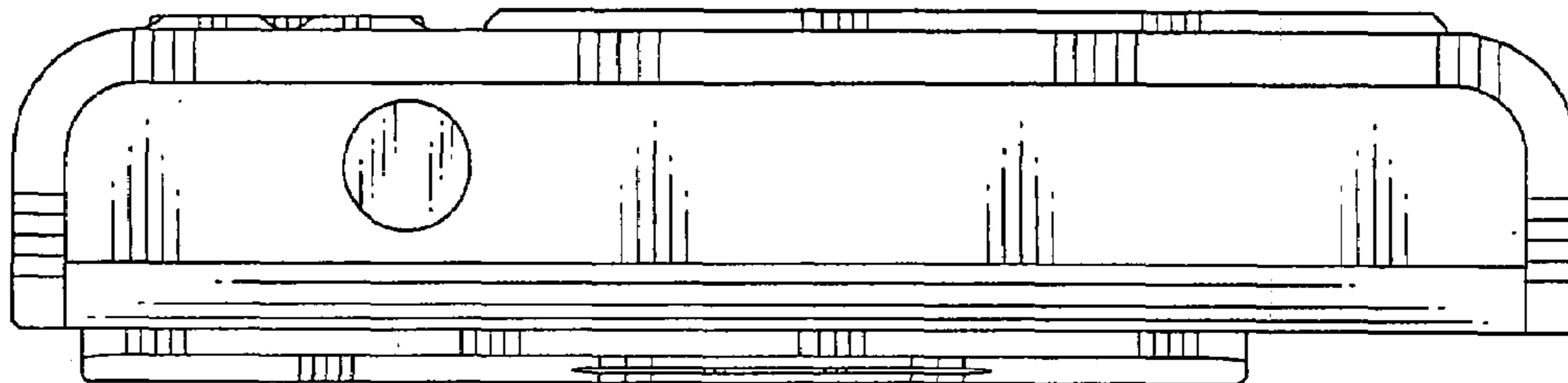


FIG.5

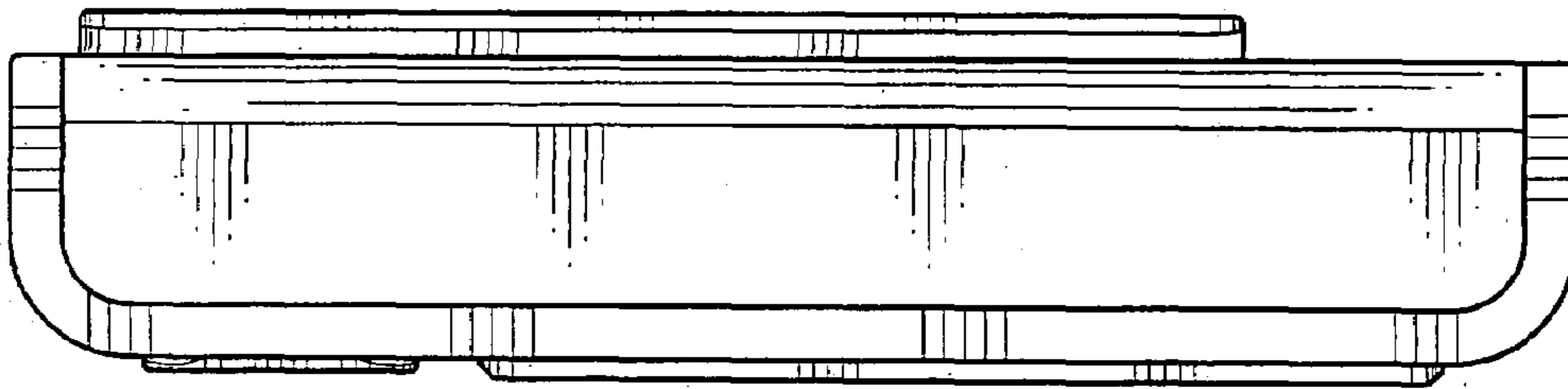


FIG.6

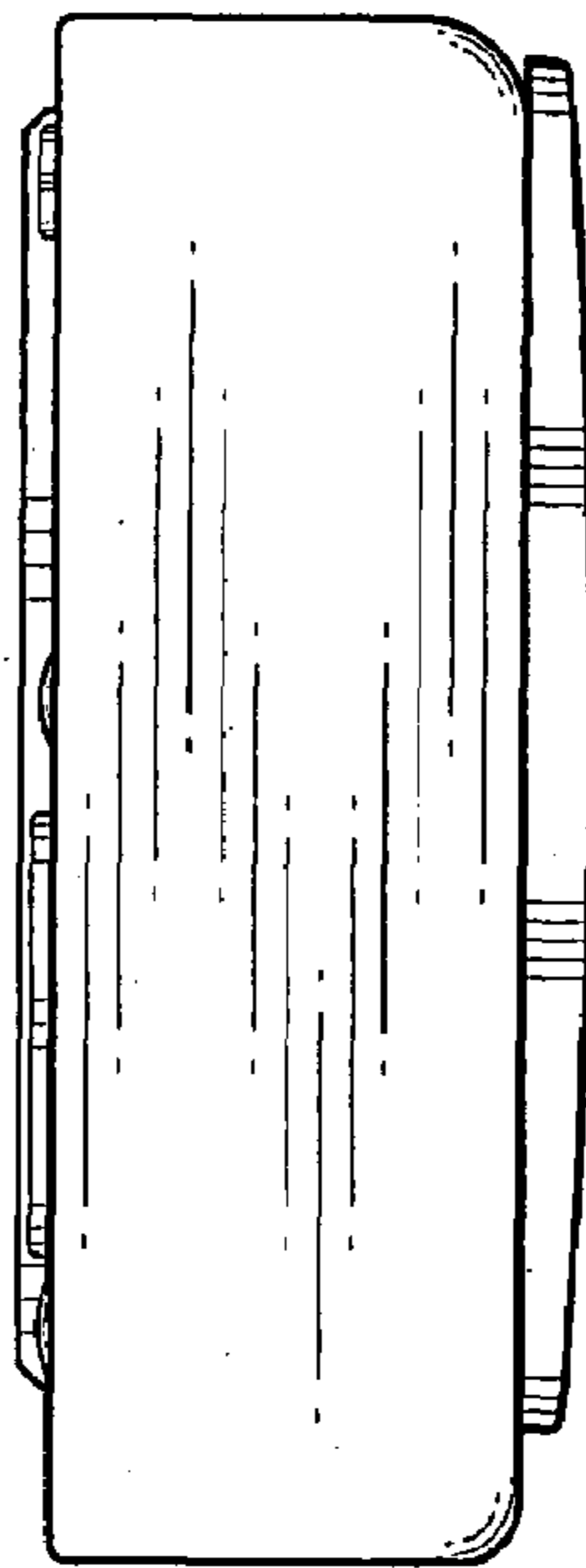


FIG. 7

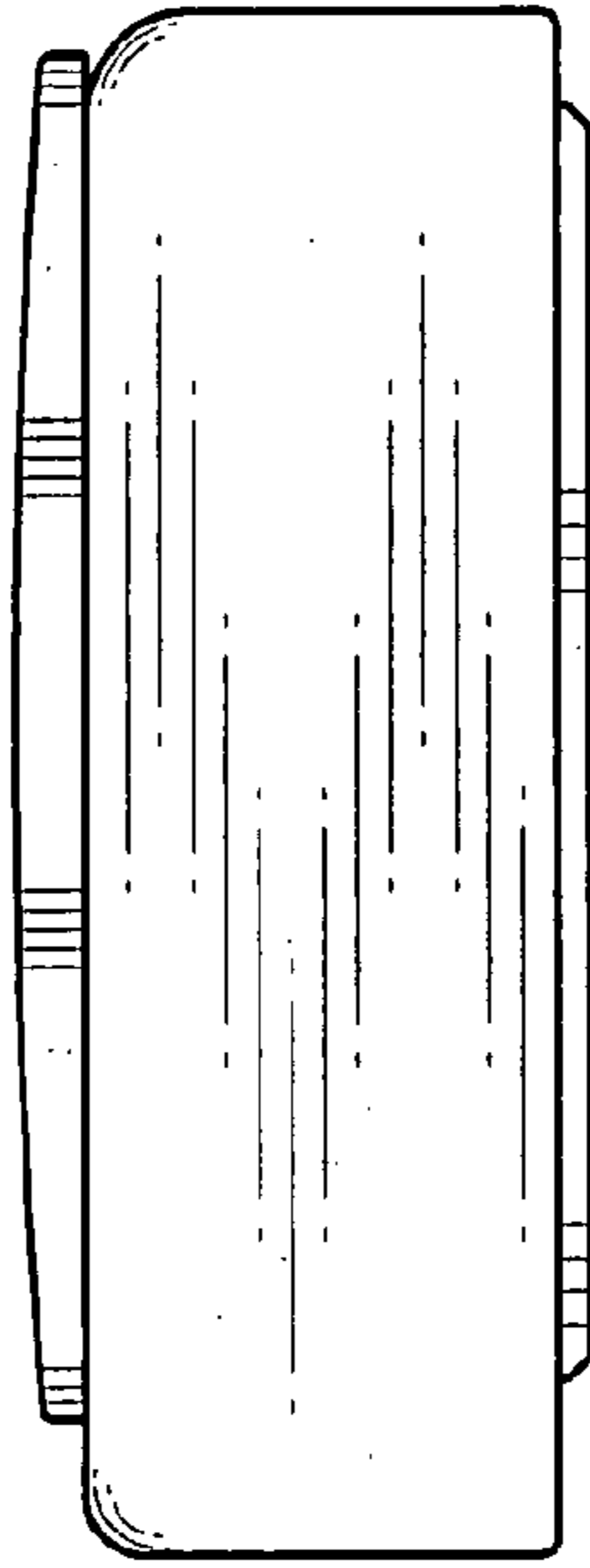


FIG. 8

