



US00D561220S

(12) **United States Design Patent**
Alm et al.

(10) **Patent No.:** **US D561,220 S**

(45) **Date of Patent:** **** Feb. 5, 2008**

(54) **CAMERA**

(75) Inventors: **Carl-Axel Alm**, Lund (SE); **Morten Bergström**, Genarp (SE)

(73) Assignee: **Axis AB**, Lund (SE)

(**) Term: **14 Years**

(21) Appl. No.: **29/249,481**

(22) Filed: **Oct. 9, 2006**

(30) **Foreign Application Priority Data**

Oct. 6, 2006 (EM) 000600770-0001

(51) **LOC (8) Cl.** **16-01**

(52) **U.S. Cl.** **D16/203**

(58) **Field of Classification Search** D10/106;
D16/200-205, 208, 218; 348/143, 373, 374-376;
396/427, 535, 536-541

See application file for complete search history.

(56) **References Cited**

U.S. PATENT DOCUMENTS

D374,189 S * 10/1996 Hubben D10/106
D391,184 S * 2/1998 Kawabata D10/106
D416,273 S * 11/1999 Yamakawa et al. D16/203
D426,250 S * 6/2000 Lefkowitz D16/203
D449,630 S * 10/2001 Rak et al. D16/203

D452,696 S * 1/2002 Fenton D16/203
6,678,001 B1 * 1/2004 Elberbaum 348/373
6,715,940 B2 * 4/2004 Top et al. 396/427
D499,125 S * 11/2004 Adachi et al. D16/203

* cited by examiner

Primary Examiner—Adir Aronovich

(74) *Attorney, Agent, or Firm*—Volpe and Koenig P.C.

(57) **CLAIM**

The ornamental design for a camera, as shown.

DESCRIPTION

FIG. 1 is a top, front perspective view of a camera of the present invention;

FIG. 2 is an alternate top, front perspective view of a camera of the present invention;

FIG. 3 is a top plan view of the camera shown in FIG. 1;

FIG. 4 is a left side view of the camera shown in FIG. 1;

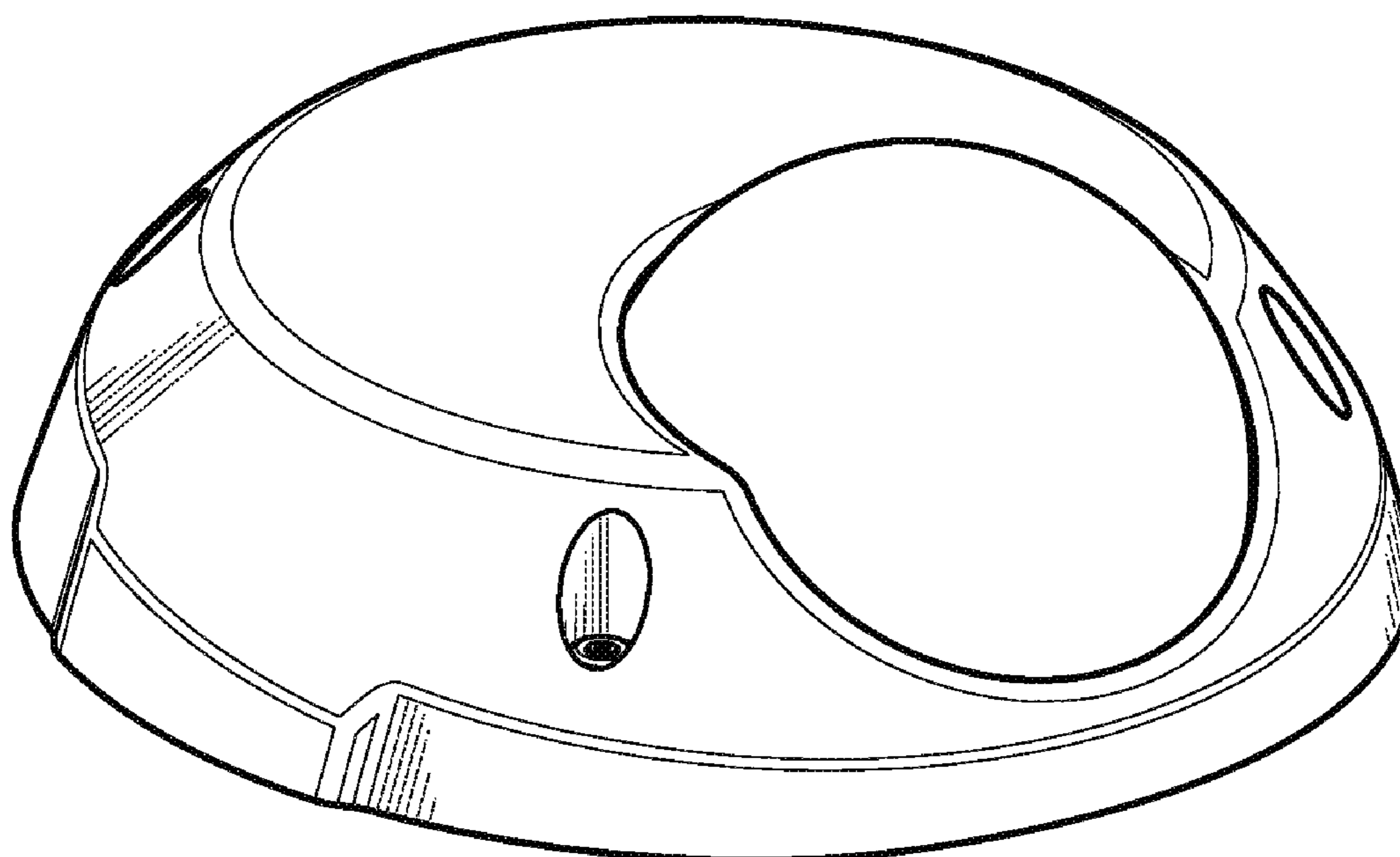
FIG. 5 is a front view of the camera shown in FIG. 1;

FIG. 6 is a rear view of the camera shown in FIG. 1;

FIG. 7 is a right side view of the camera shown in FIG. 1; and,

FIG. 8 is a bottom view of the camera shown in FIG. 1.

1 Claim, 3 Drawing Sheets



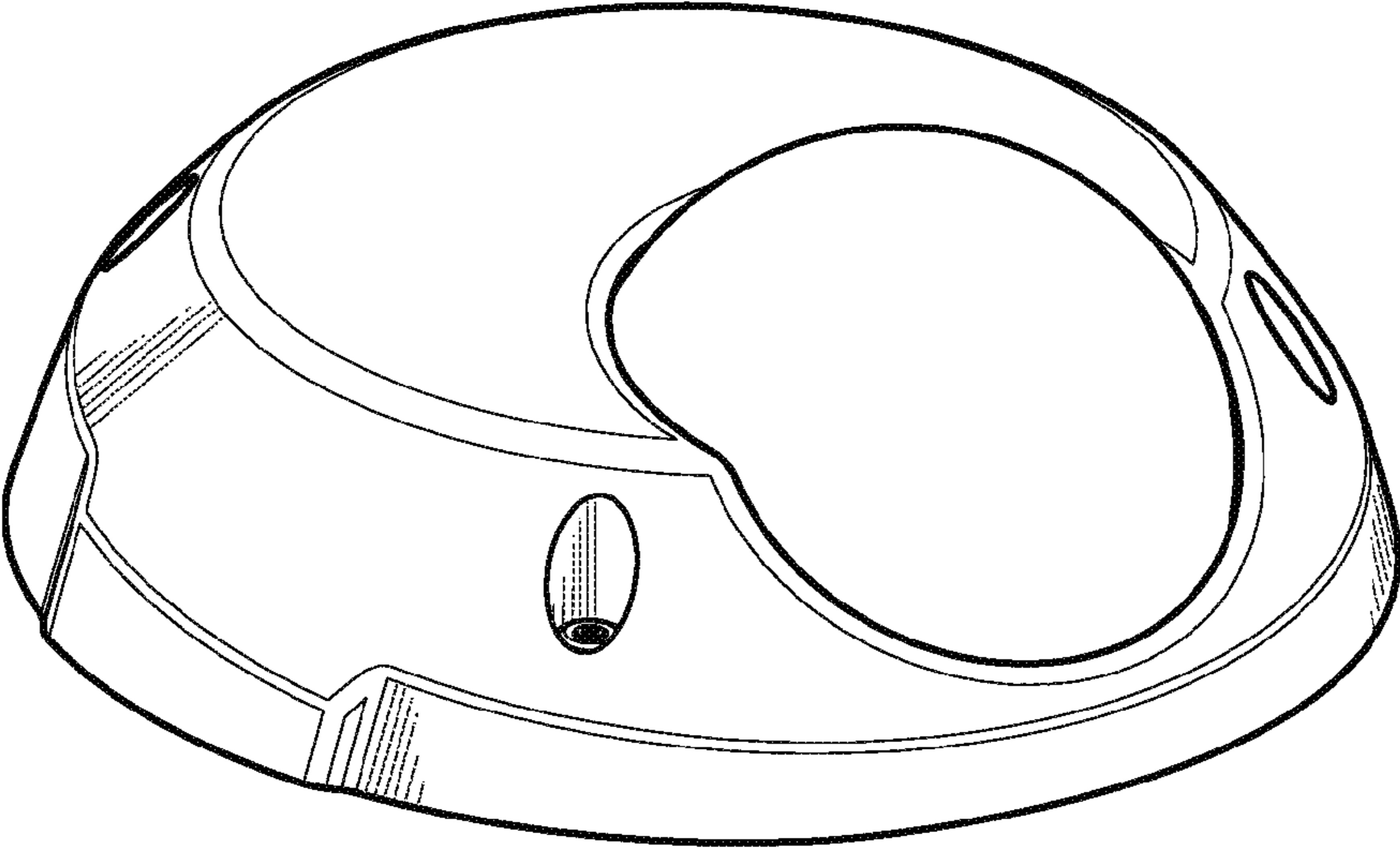


Fig. 1

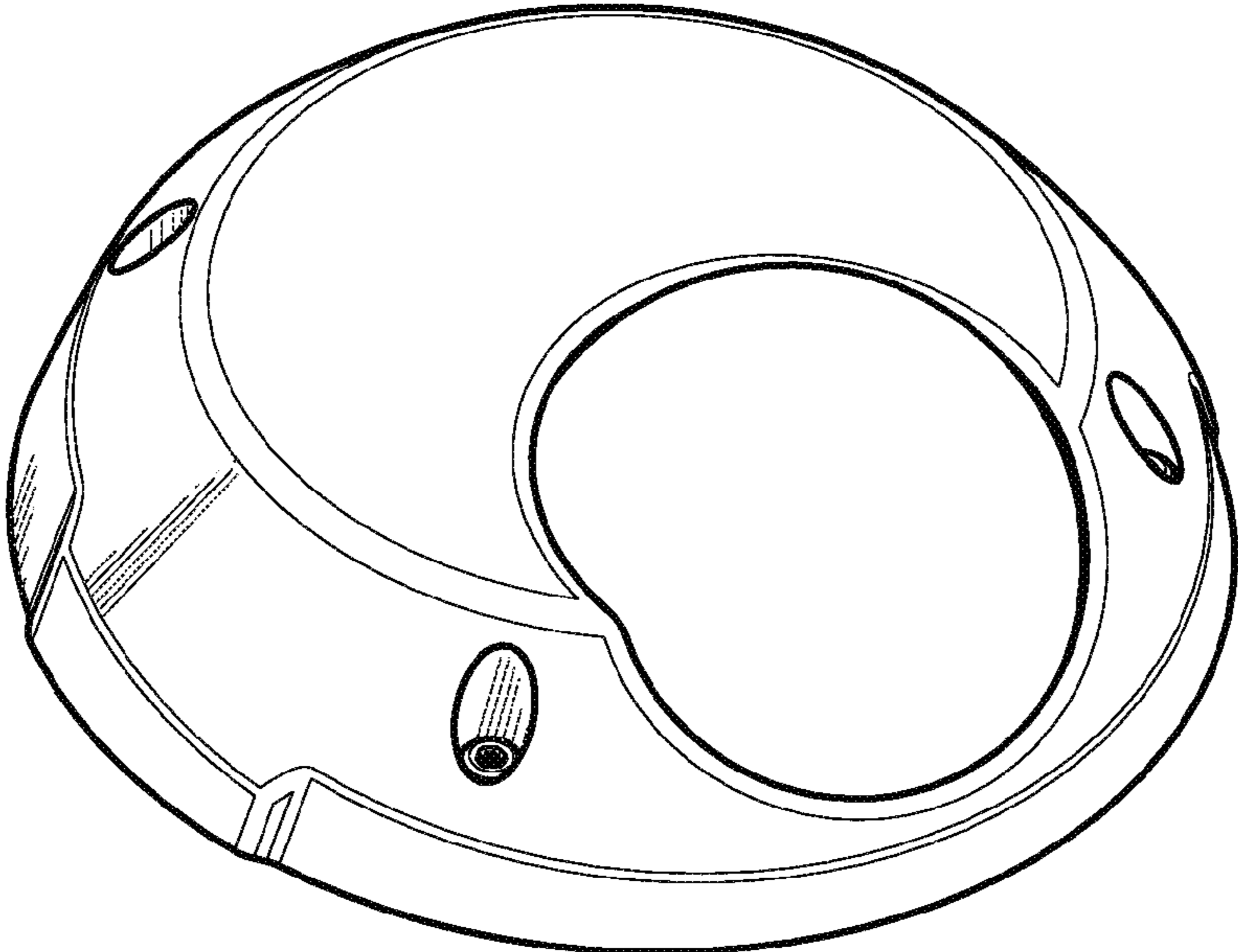


Fig. 2

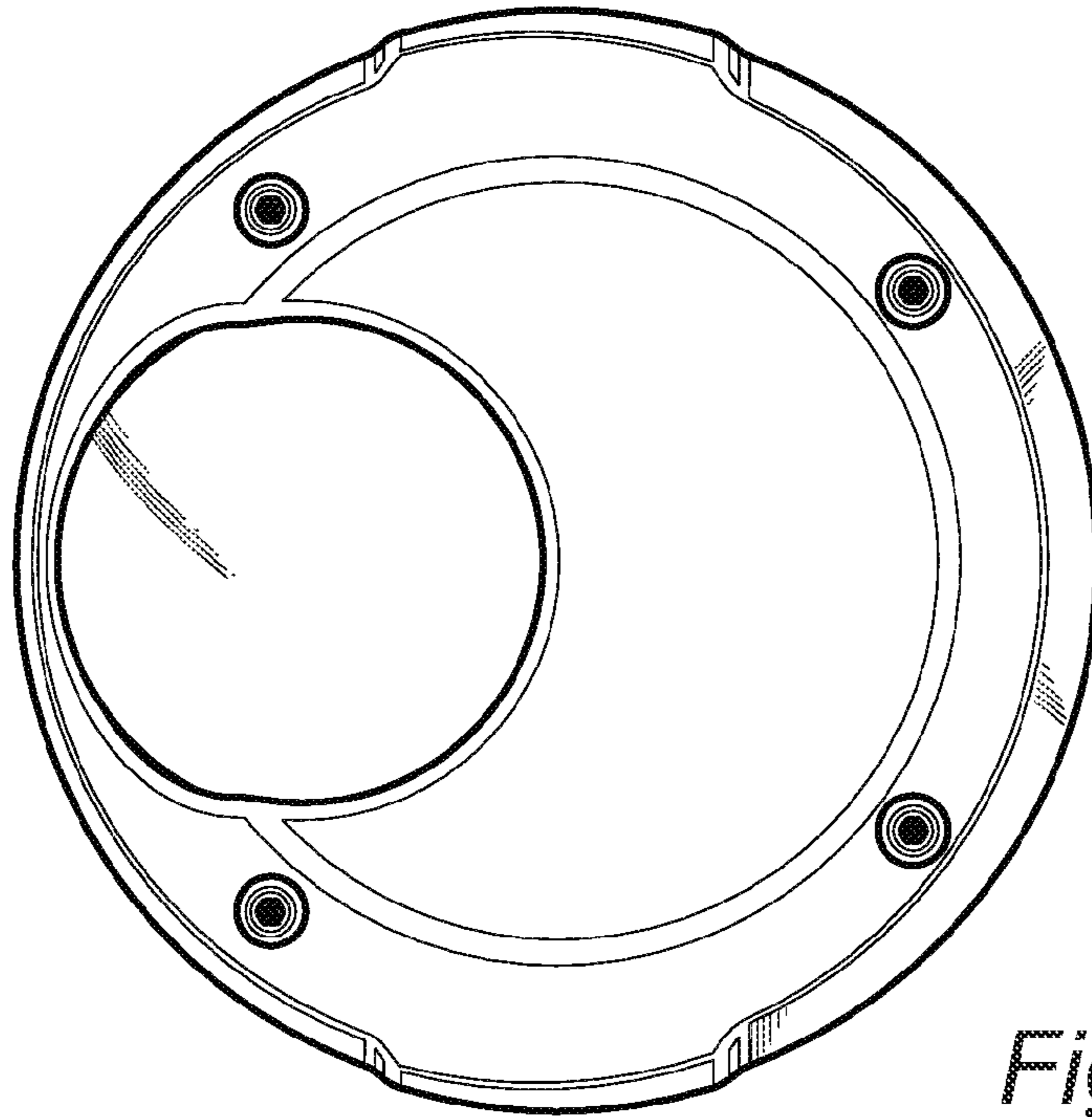


Fig. 3

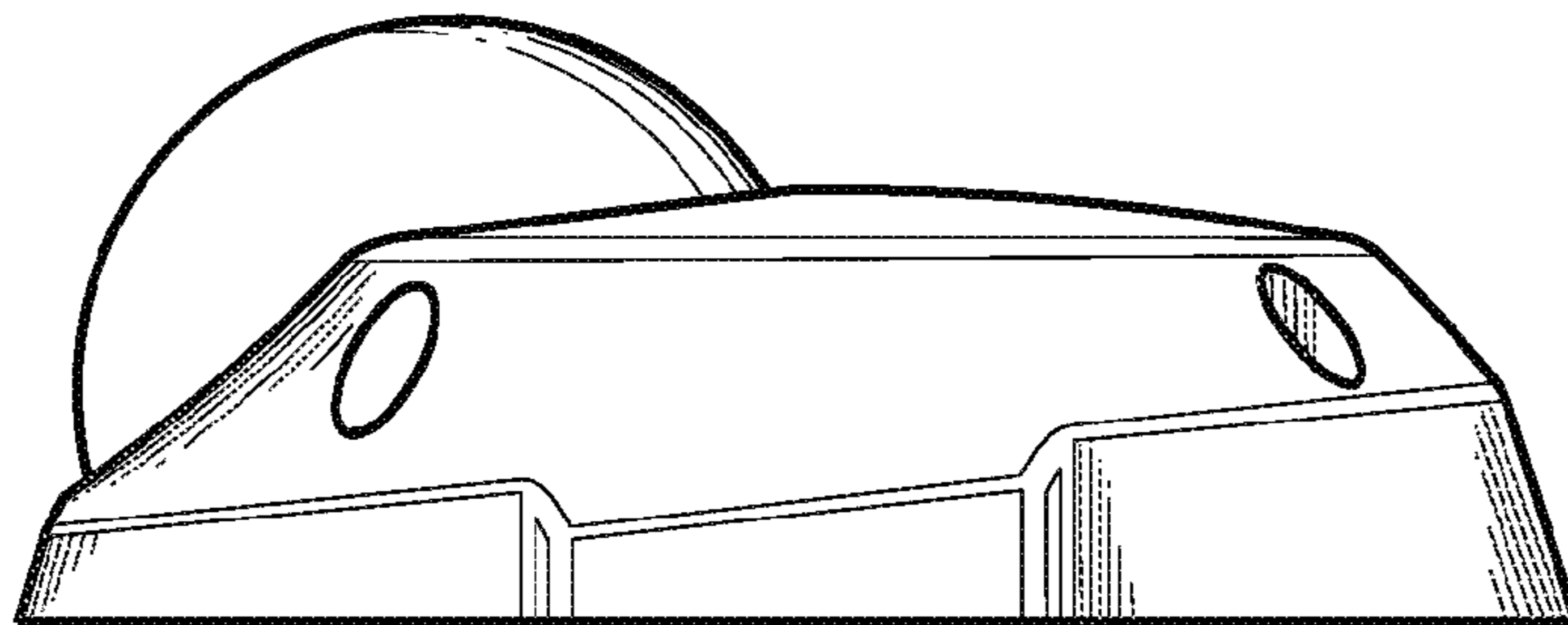


Fig. 4

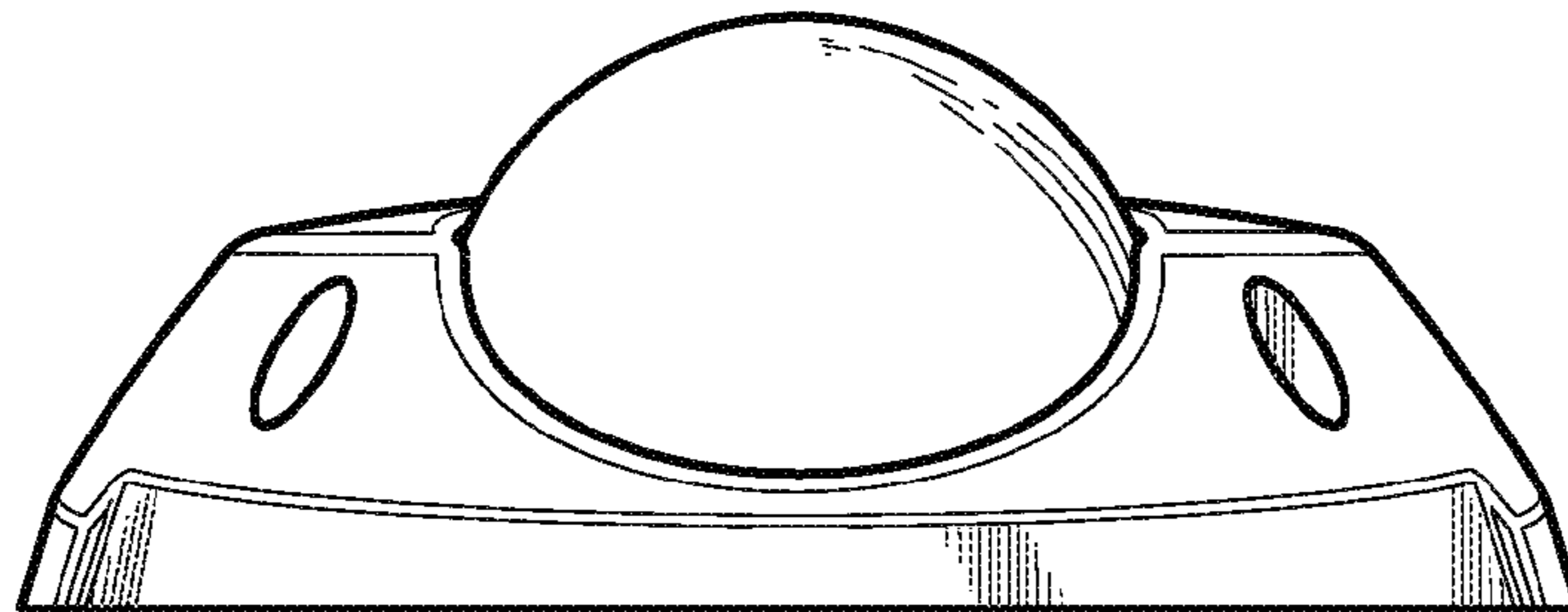


Fig. 5

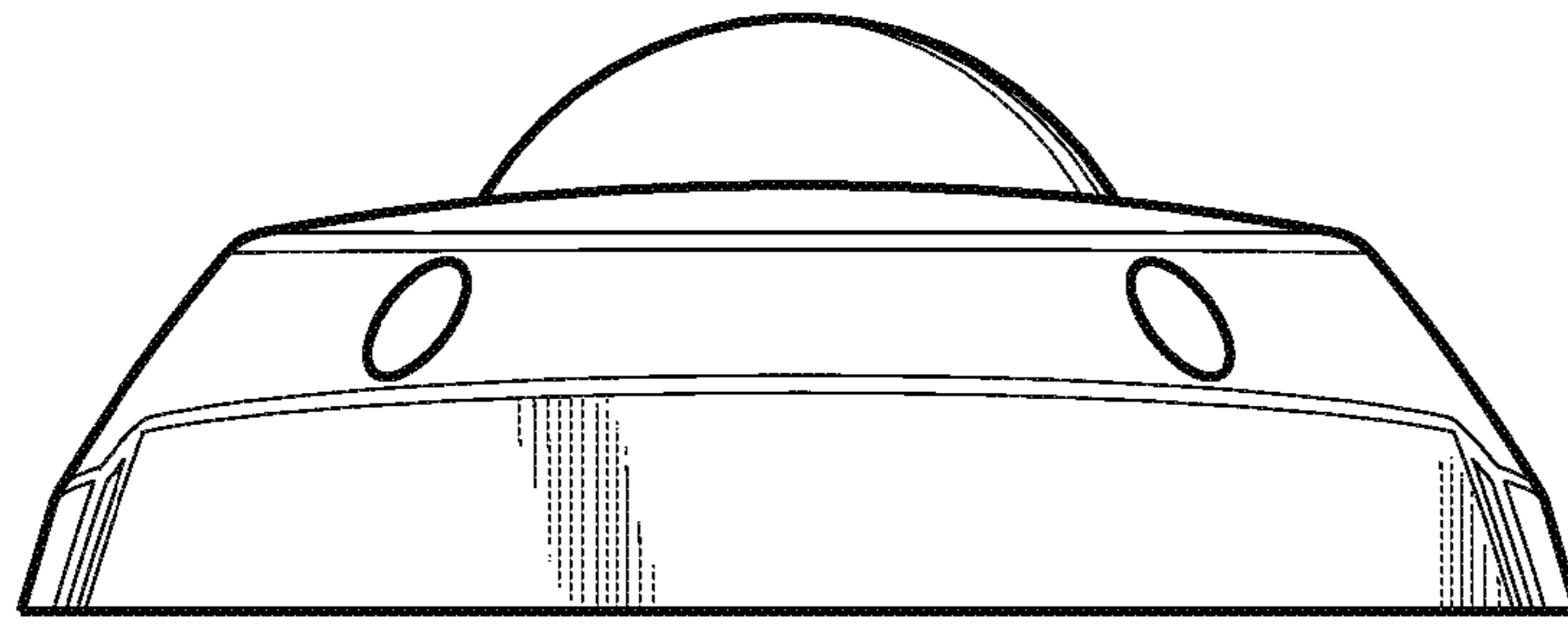


Fig. 6

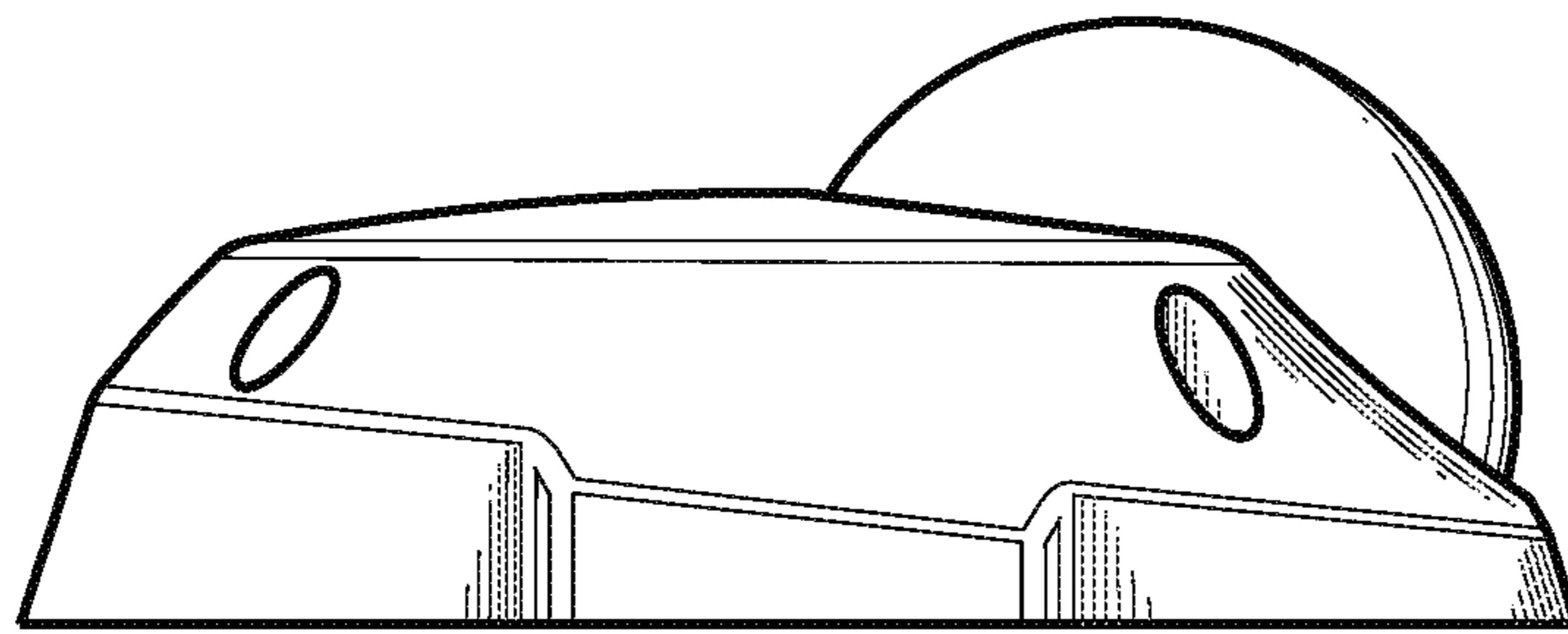


Fig. 7

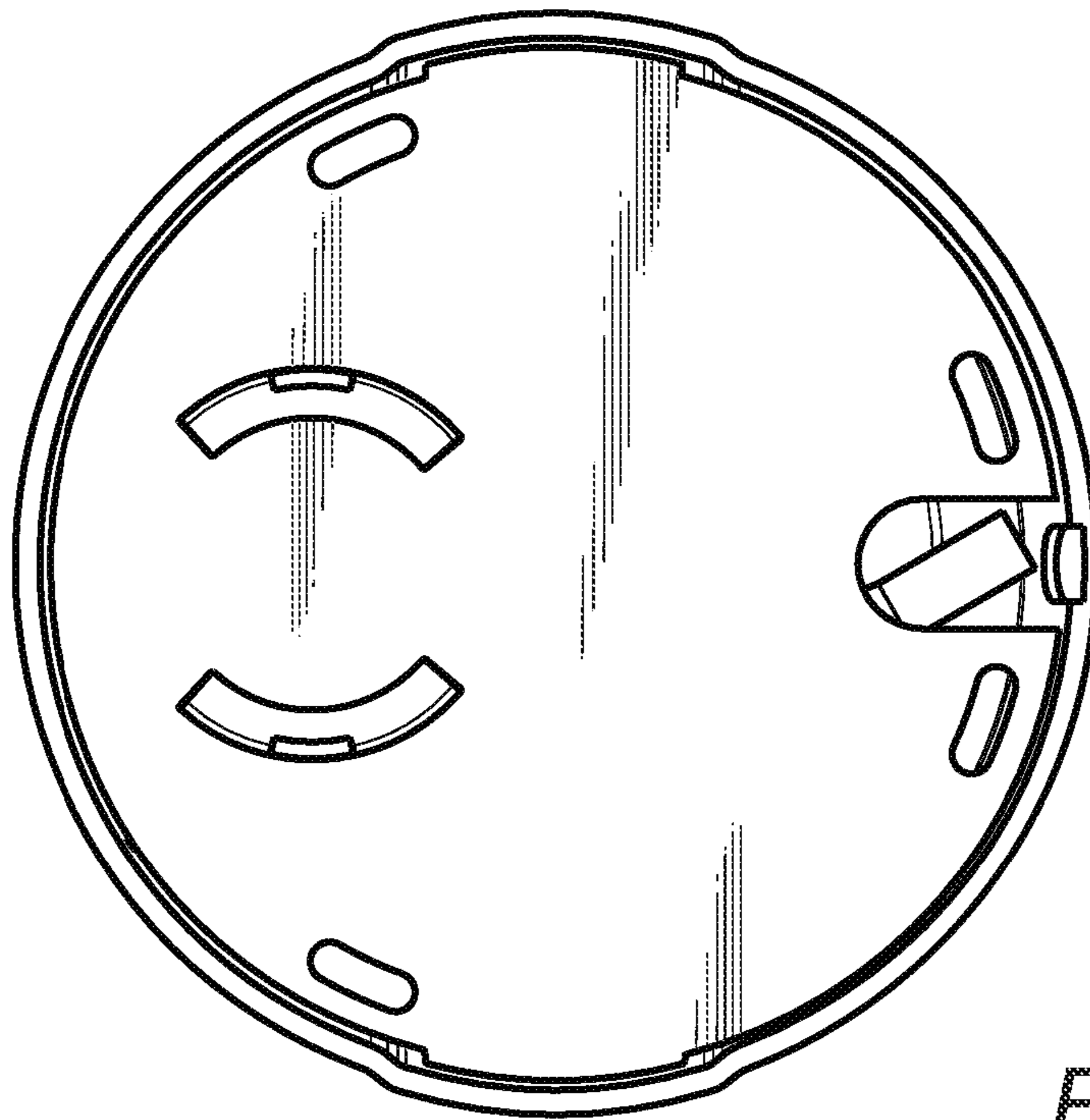


Fig. 8