



US00D561217S

(12) **United States Design Patent**
Young

(10) **Patent No.:** **US D561,217 S**

(45) **Date of Patent:** **** Feb. 5, 2008**

(54) **MAGNIFIER WITH LIGHT**

Primary Examiner—Paula A. Greene

(75) Inventor: **Tony Chunlung Young**, Kowloon (HK)

(57) **CLAIM**

(73) Assignee: **Caltraco International Limited**, Hong Kong (HK)

The ornamental design for a magnifier with light, as shown and described.

(**) Term: **14 Years**

DESCRIPTION

(21) Appl. No.: **29/275,375**

The claimed magnifier with light is a device used for magnification with the function to produce light.

(22) Filed: **Dec. 21, 2006**

(51) **LOC (8) Cl.** **16-06**

(52) **U.S. Cl.** **D16/135**

(58) **Field of Classification Search** D16/130,
D16/135; D3/207, 208; D26/38; 362/207,
362/208, 223; D21/483; 359/742, 796,
359/798, 802, 803, 804, 808, 810, 811, 813,
359/817, 819, 821

See application file for complete search history.

FIG. 1 is a front elevational view of a first embodiment of a magnifier with light showing my new design;

FIG. 2 is a rear elevational view thereof;

FIG. 3 is a left side view thereof;

FIG. 4 is a right side view thereof;

FIG. 5 is a top plan view thereof;

FIG. 6 is a bottom plan view thereof;

FIG. 7 is perspective view thereof;

FIG. 8 is a front elevational view thereof with the magnifier being folded into the body;

FIG. 9 is a front elevational view of a second embodiment of a magnifier with light showing my new design;

FIG. 10 is a rear elevational view thereof;

FIG. 11 is a left side view thereof;

FIG. 12 is a right side view thereof;

FIG. 13 is a top plan view thereof;

FIG. 14 is a bottom plan view thereof;

FIG. 15 is perspective view thereof; and,

FIG. 16 is a front elevational view thereof with the magnifier being folded into the body.

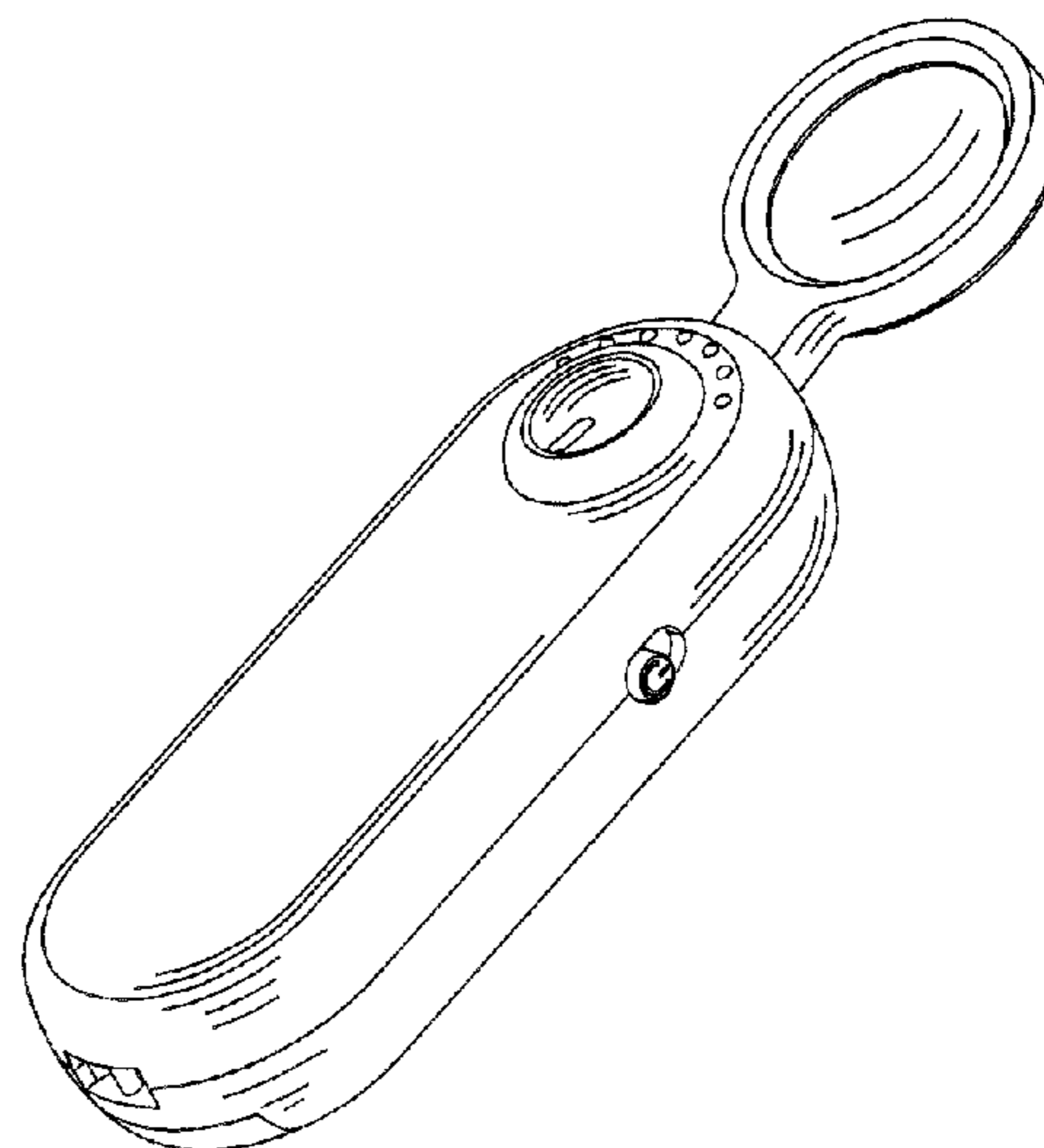
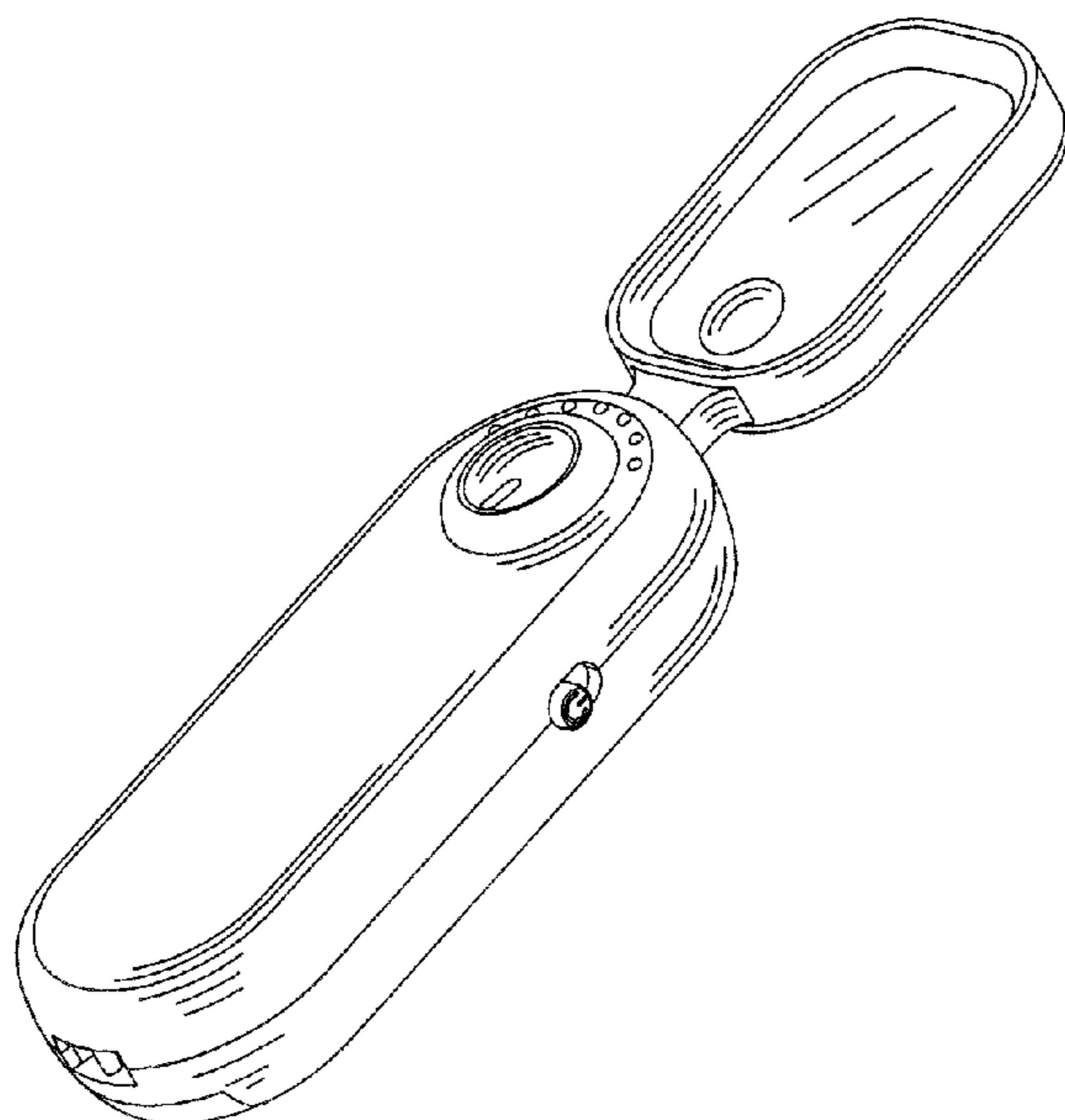
(56) **References Cited**

U.S. PATENT DOCUMENTS

1,794,419	A *	3/1931	Richter	359/796
D133,144	S *	7/1942	Struble	D3/212
D178,766	S *	9/1956	Cressaty	D16/135
D217,506	S *	5/1970	Knoetgen	D16/135
4,364,104	A *	12/1982	Holahan et al.	362/223
D269,184	S *	5/1983	Tweedie	D16/135
4,763,986	A *	8/1988	Sego	359/798
D302,074	S *	7/1989	Halasz	D3/208
D367,487	S *	2/1996	Segan	D16/135
5,642,234	A *	6/1997	Altman et al.	359/802
D380,483	S *	7/1997	Lee	D16/135
D416,927	S *	11/1999	Jim	D16/135
D538,321	S *	3/2007	Yeh	D16/135

* cited by examiner

1 Claim, 8 Drawing Sheets



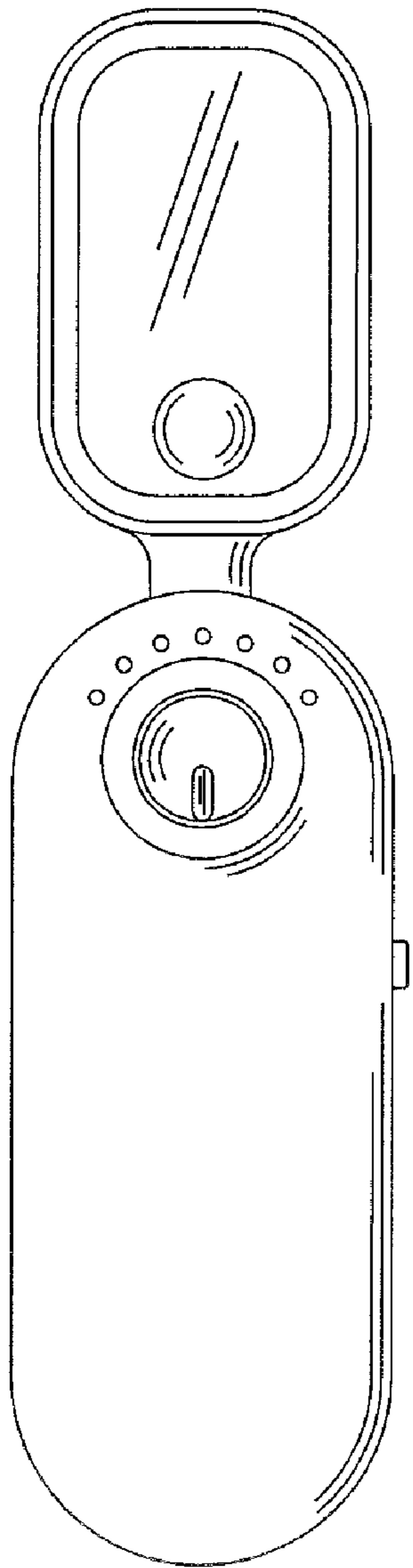


FIG. 1

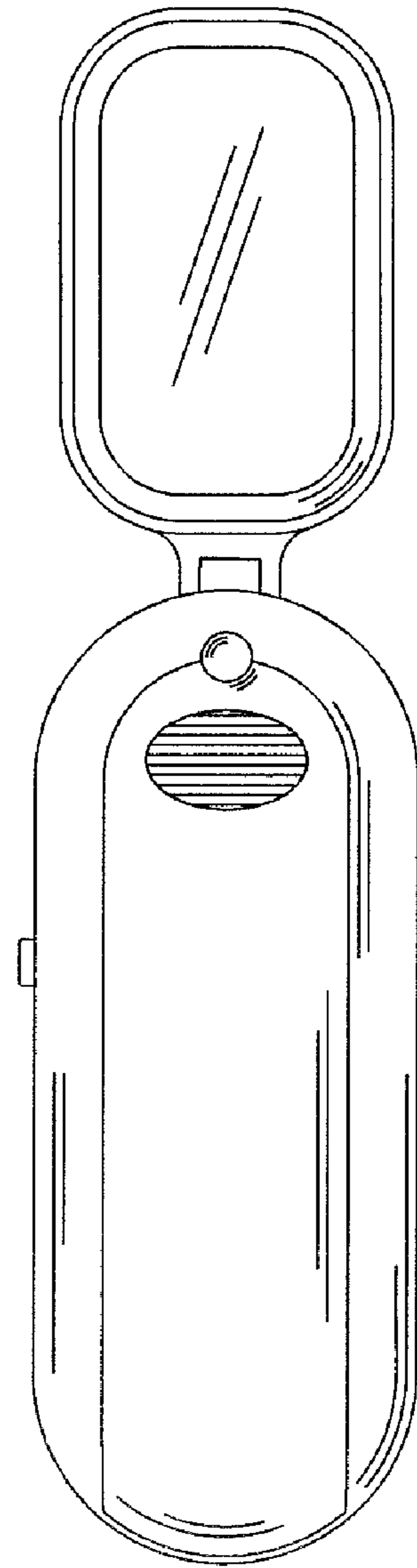


FIG. 2

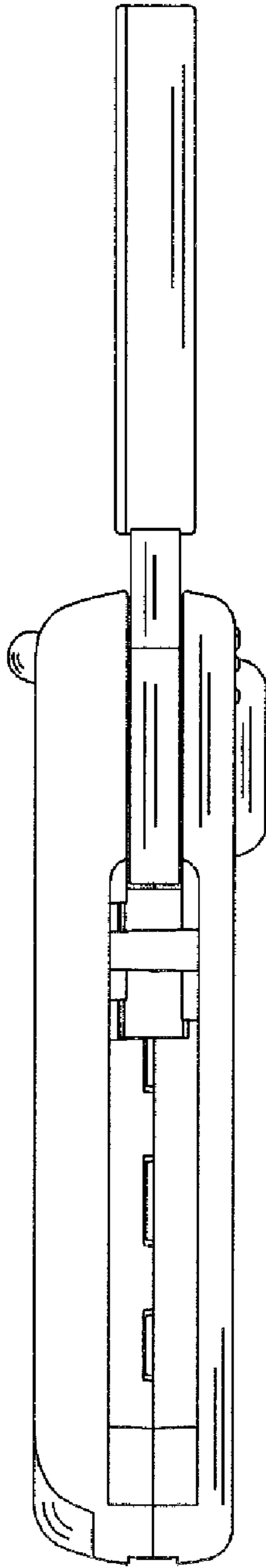


FIG. 3

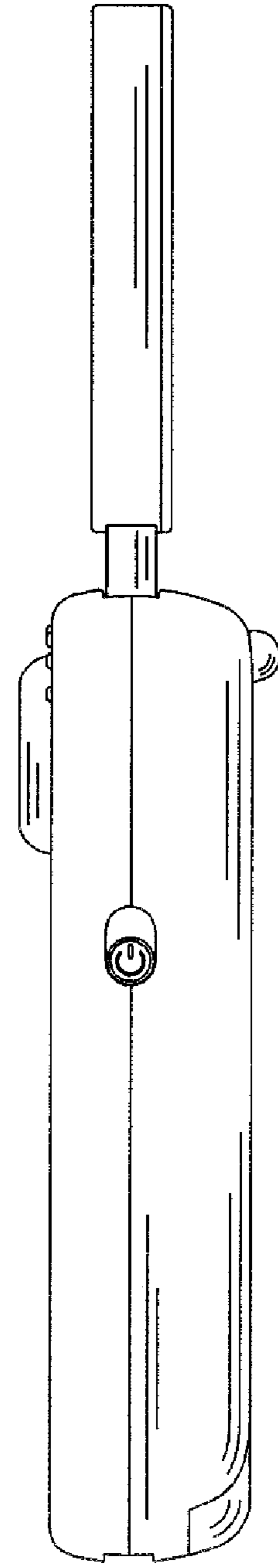


FIG. 4

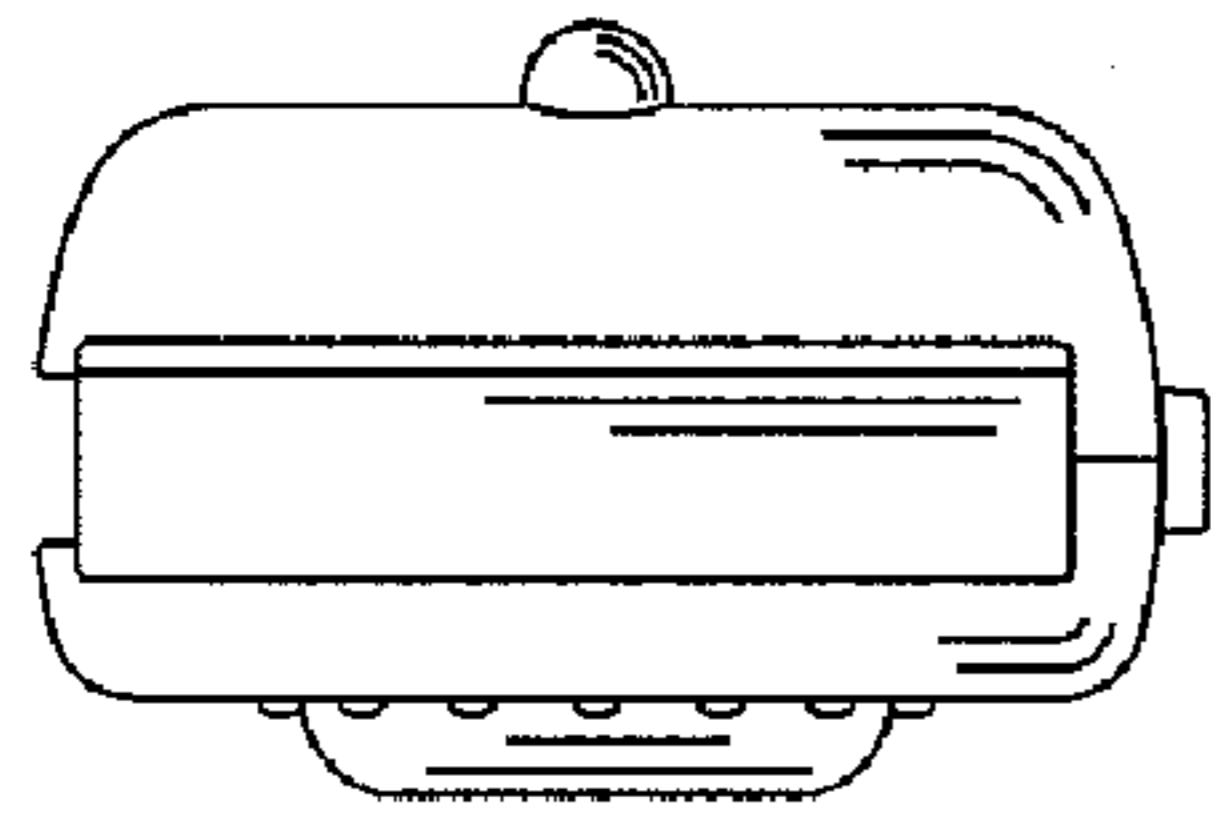


FIG. 5

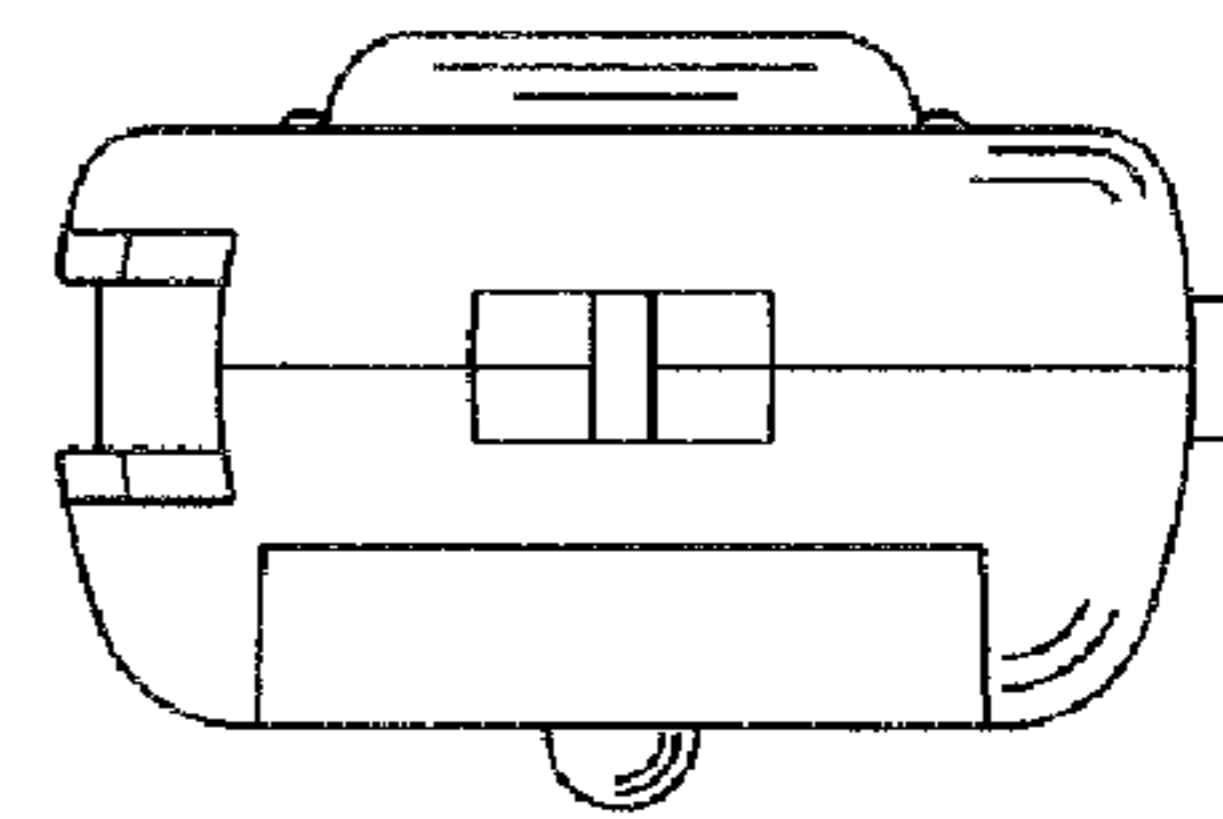


FIG. 6

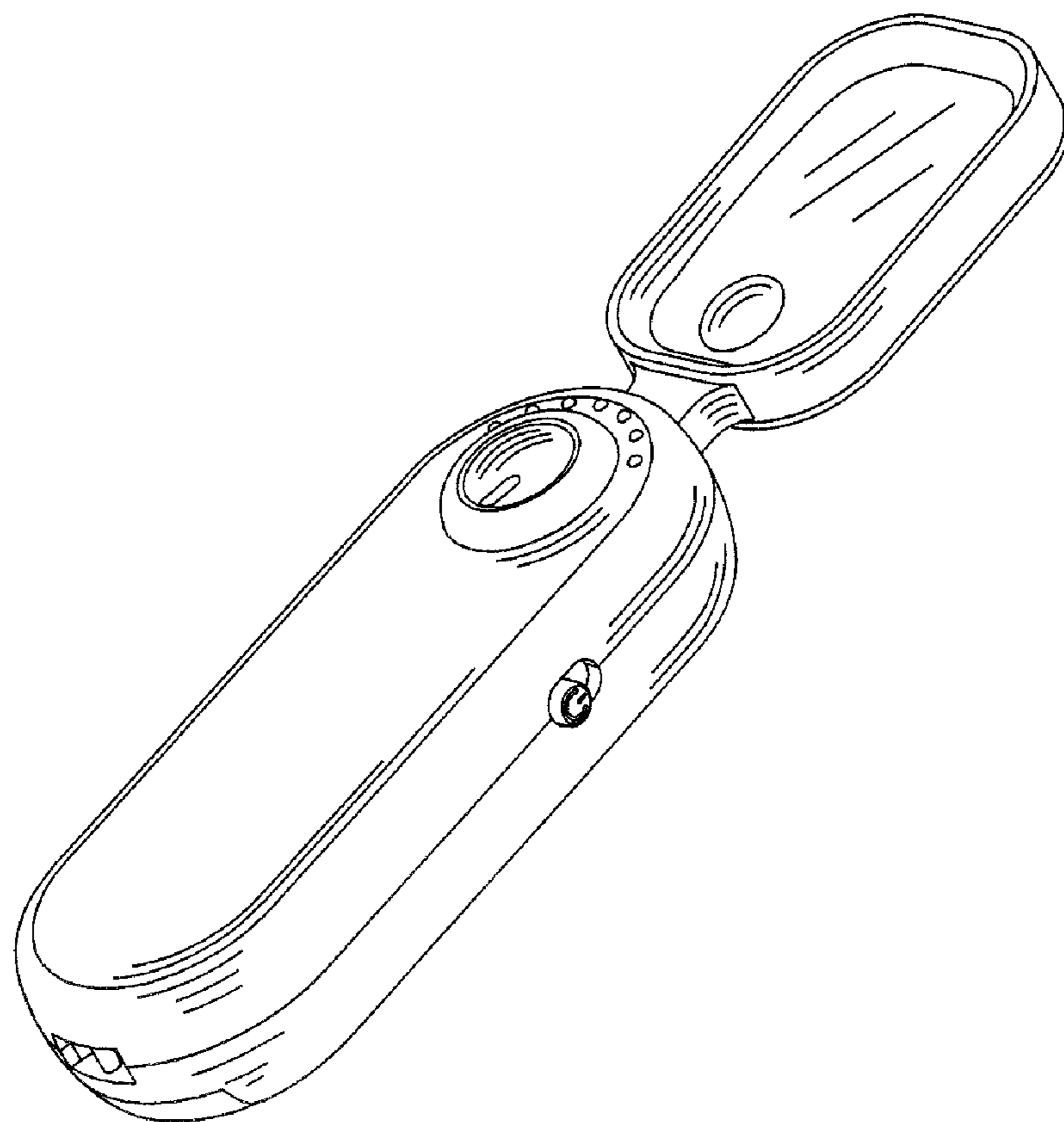


FIG. 7

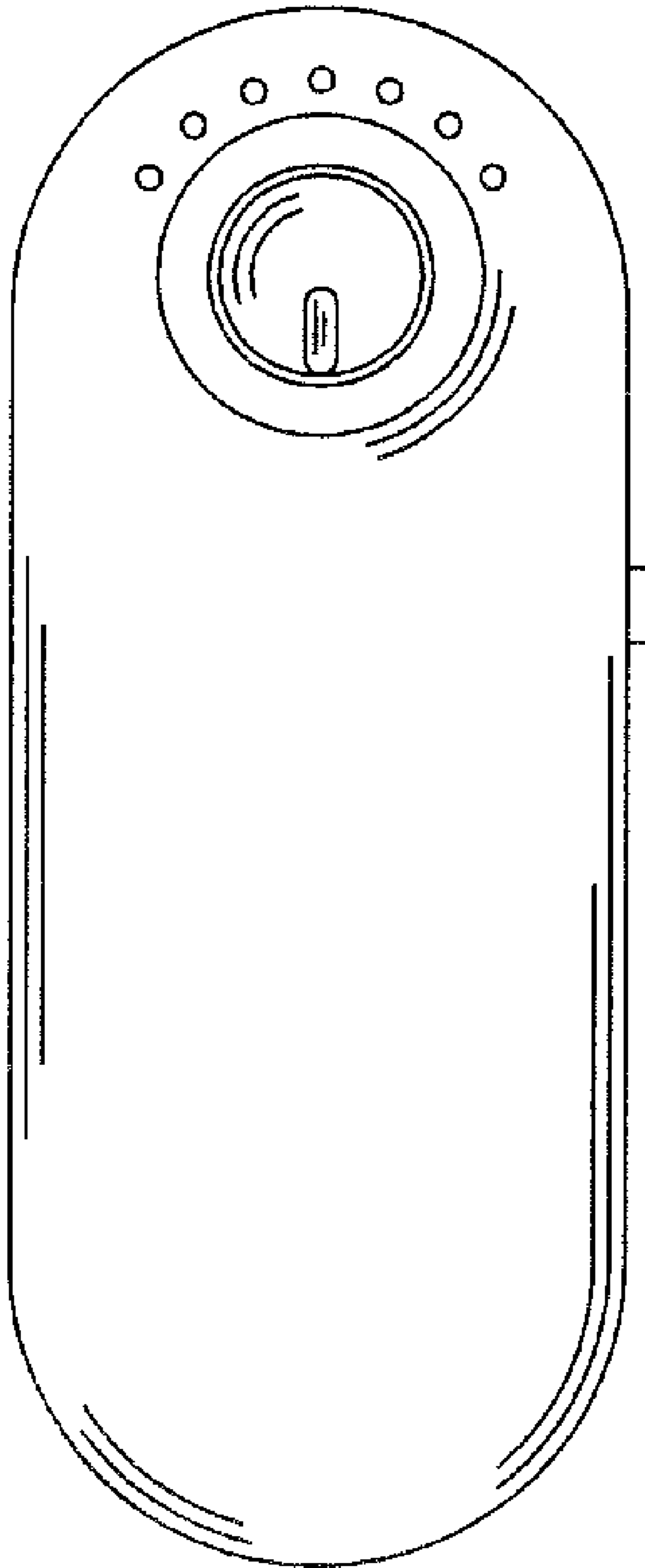


FIG. 8

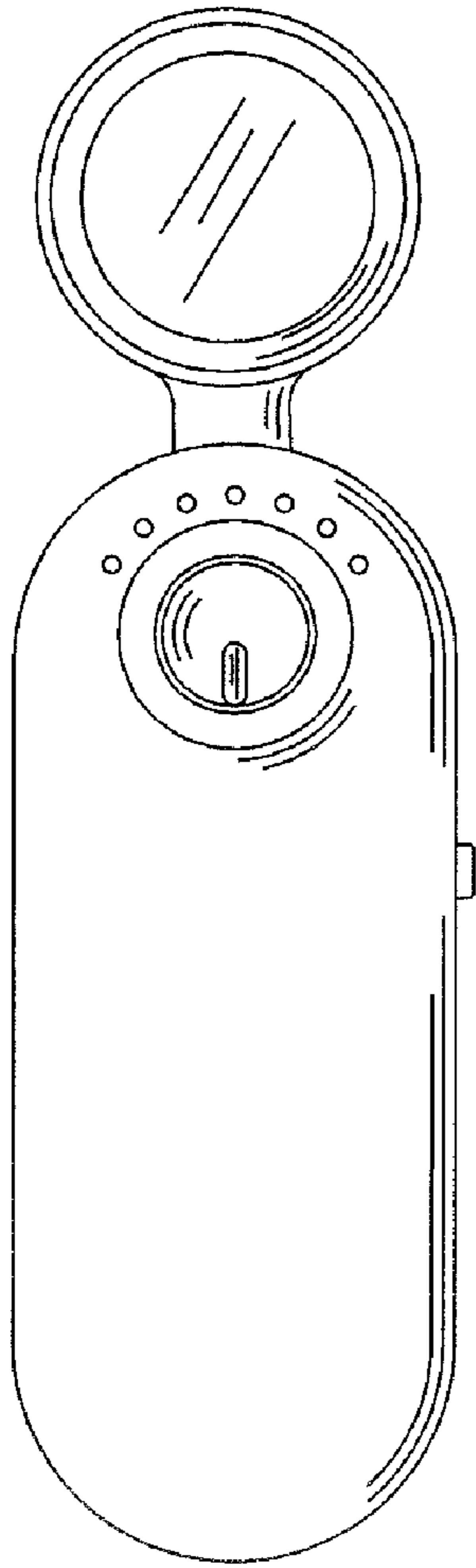


FIG. 9

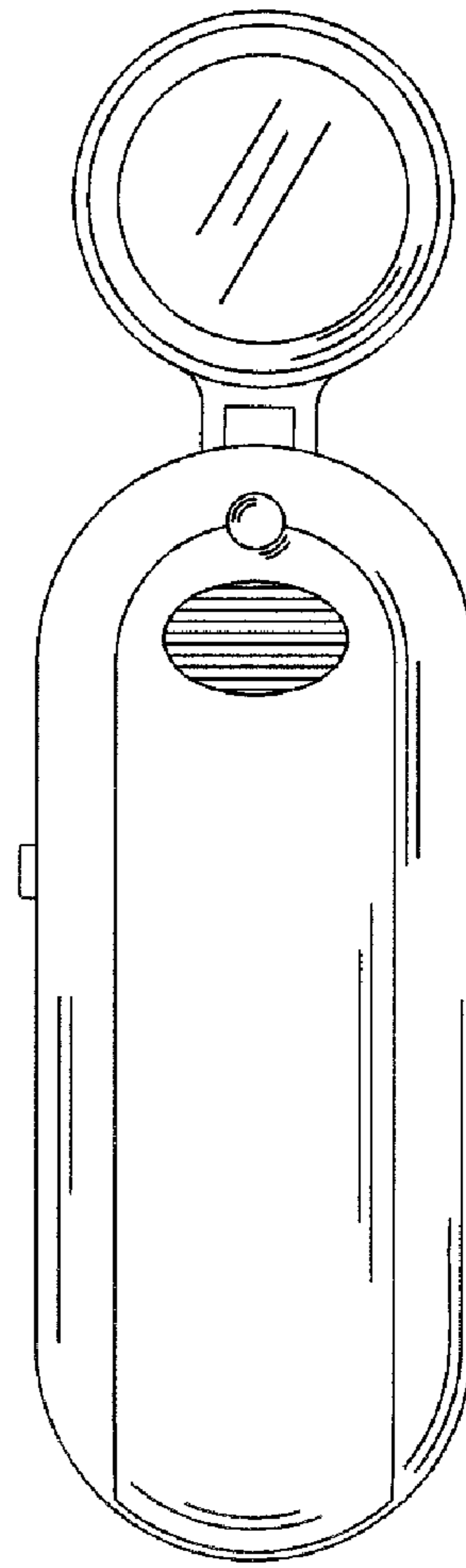


FIG. 10

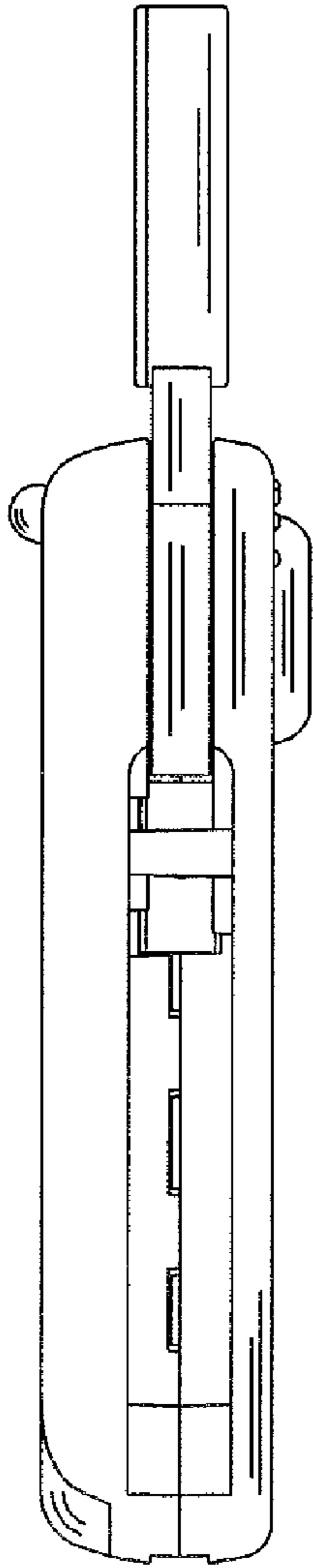


FIG. 11

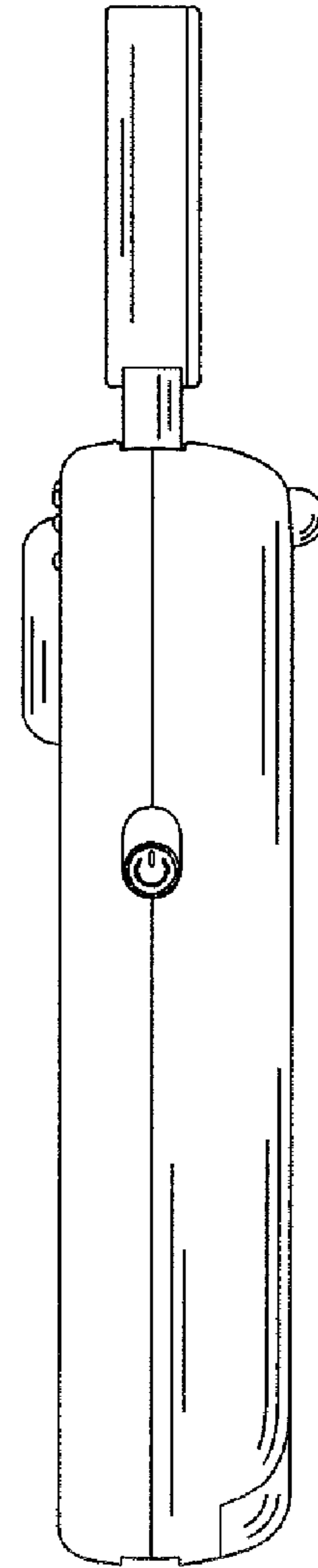


FIG. 12

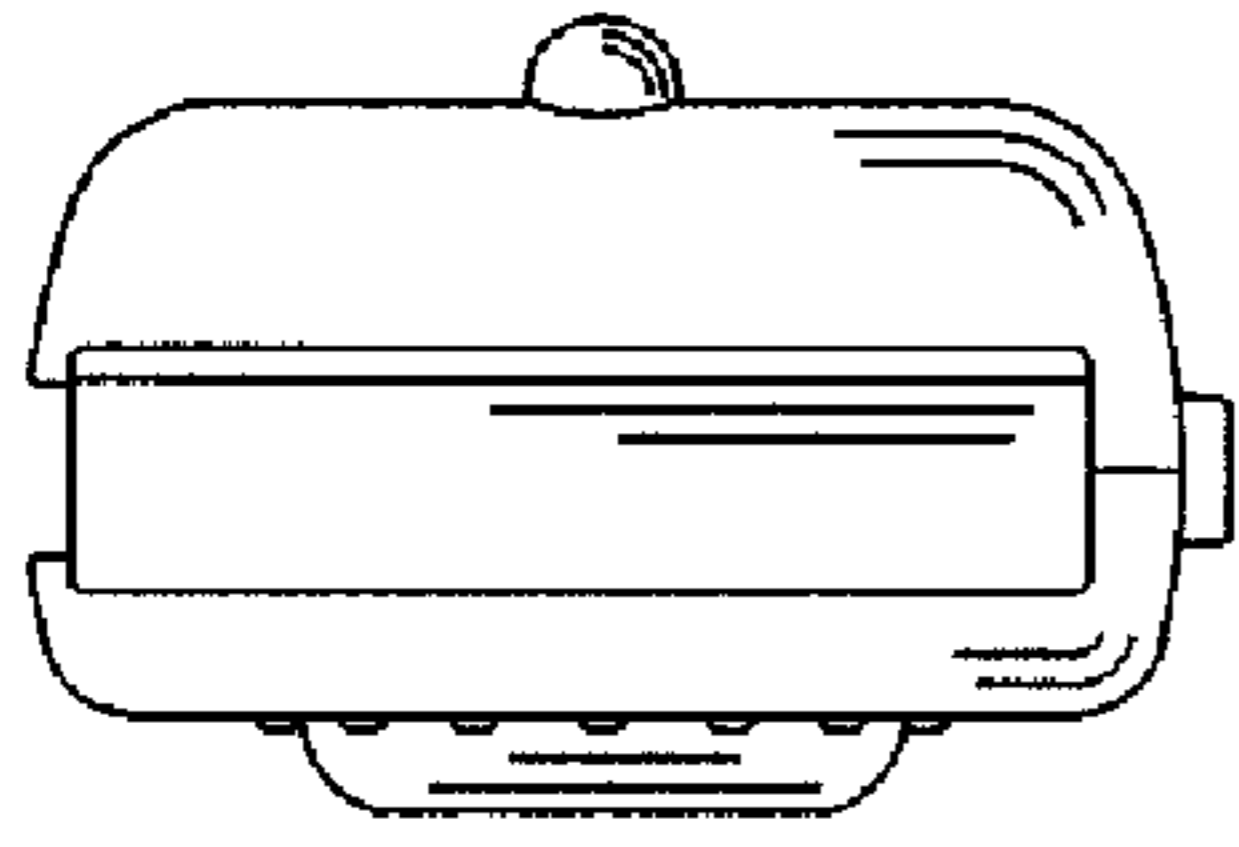


FIG. 13

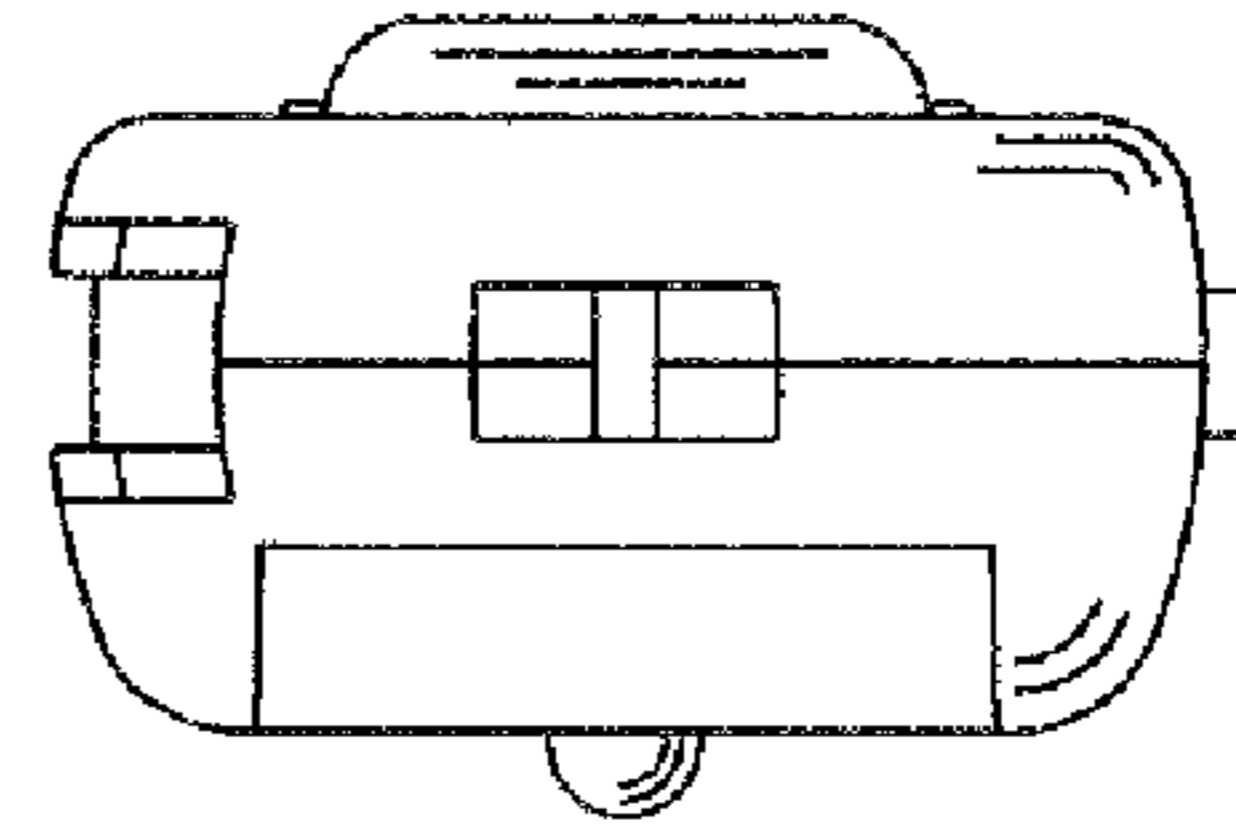


FIG. 14

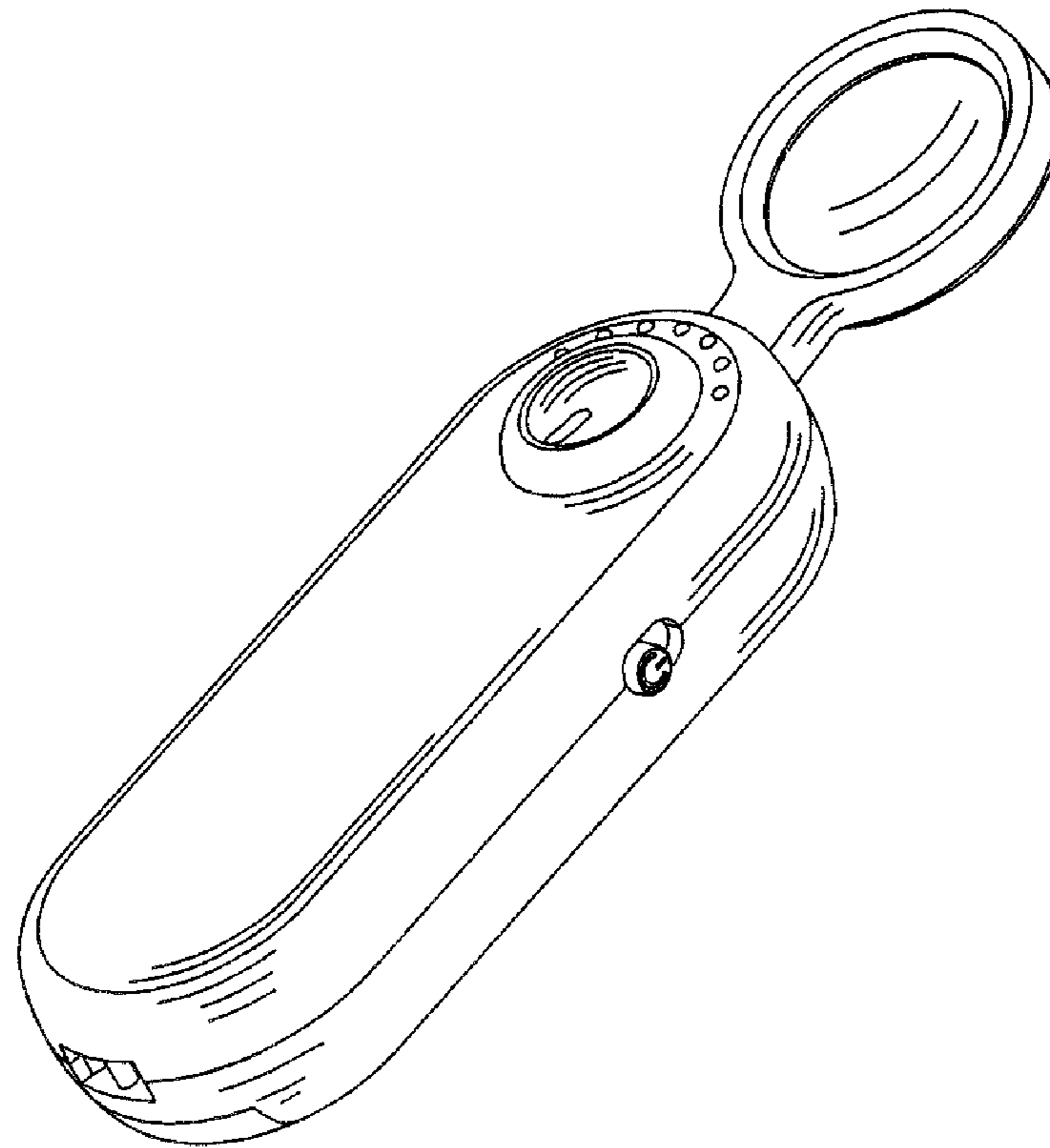


FIG. 15

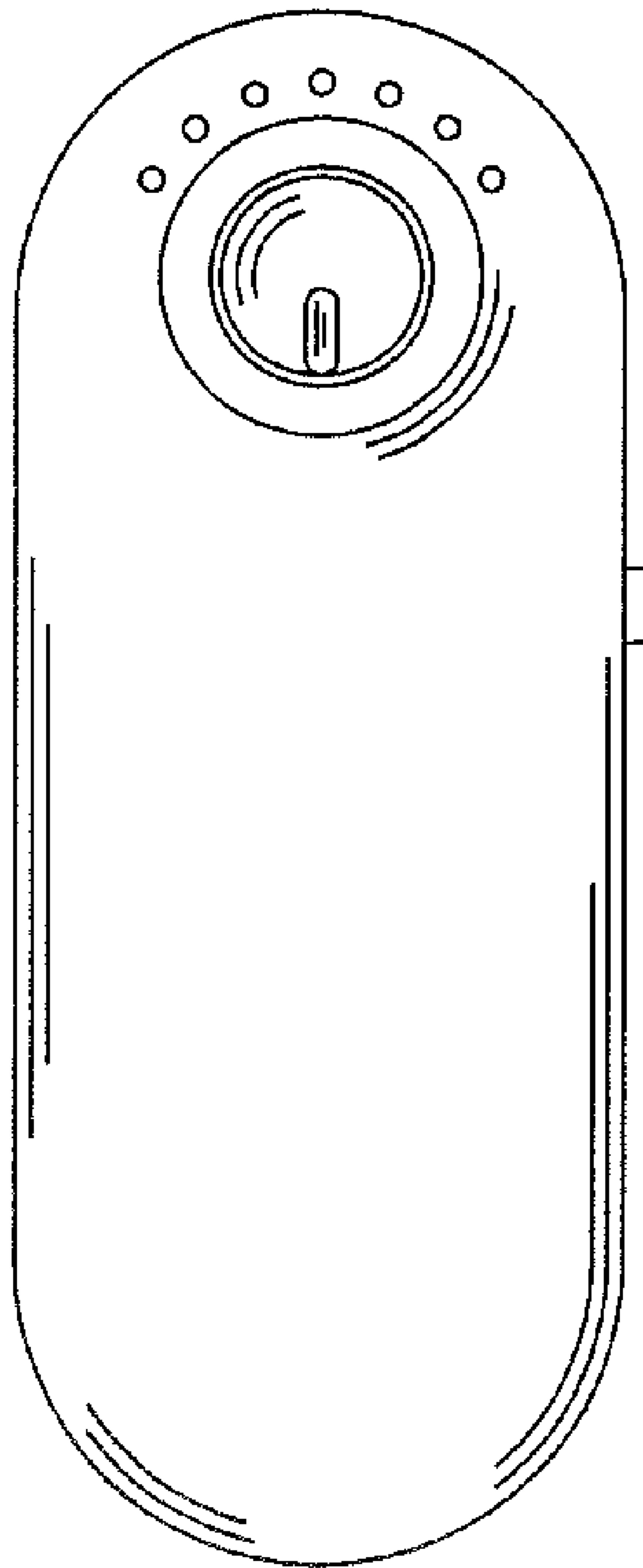


FIG. 16