



US00D561209S

(12) **United States Design Patent**
Kanemitsu

(10) **Patent No.:** **US D561,209 S**

(45) **Date of Patent:** **** Feb. 5, 2008**

(54) **POWER TRANSMISSION PULLEY**

(75) Inventor: **Toshiaki Kanemitsu**, Hyogo (JP)

(73) Assignee: **Kabushiki Kaisha Kanemitsu**, Hyogo (JP)

(**) Term: **14 Years**

(21) Appl. No.: **29/256,581**

(22) Filed: **Mar. 22, 2006**

Related U.S. Application Data

(62) Division of application No. 29/202,467, filed on Mar. 31, 2004.

(51) **LOC (8) Cl.** **15-99**

(52) **U.S. Cl.** **D15/148**

(58) **Field of Classification Search** D15/5,
D15/146-149; 474/8, 37, 31, 29, 39, 41,
474/47-56; D11/26, 39; D23/269; 74/230.3,
74/230.5, 230.7; D12/501, 175, 204, 207,
D12/208

See application file for complete search history.

(56) **References Cited**

U.S. PATENT DOCUMENTS

803,811 A * 11/1905 Outter 474/37
3,108,484 A * 10/1963 Rabinow 474/37
7,001,293 B2 * 2/2006 Lubben 474/8

OTHER PUBLICATIONS

Kanemitsu. www.kanemitsu.co.jp/e/sei_02e.html. Jun. 2002. Pulleys: bottom left on page.*

* cited by examiner

Primary Examiner—A. Aronovich

Assistant Examiner—R. Johnson

(74) *Attorney, Agent, or Firm*—Akin Gump Stauss Hauer & Feld LLP

(57) **CLAIM**

I claim the ornamental design for a power transmission pulley, as shown and described.

DESCRIPTION

FIG. 1 is a front perspective view of a power transmission pulley in accordance with the present invention;

FIG. 2 is a front elevational view thereof;

FIG. 3 is a rear elevational view thereof;

FIG. 4 is a left side elevational view thereof; the undisclosed right side elevational view being a mirror image;

FIG. 5 is a top plan view thereof; the undisclosed bottom plan view being a mirror image;

FIG. 6 is a cross-sectional view taken along line 6—6 in FIG. 2; and,

FIG. 7 is a cross-sectional view taken along line 7—7 in FIG. 2.

The broken lines in the figures are for illustrative purposes only and form no part of the claimed design.

1 Claim, 4 Drawing Sheets

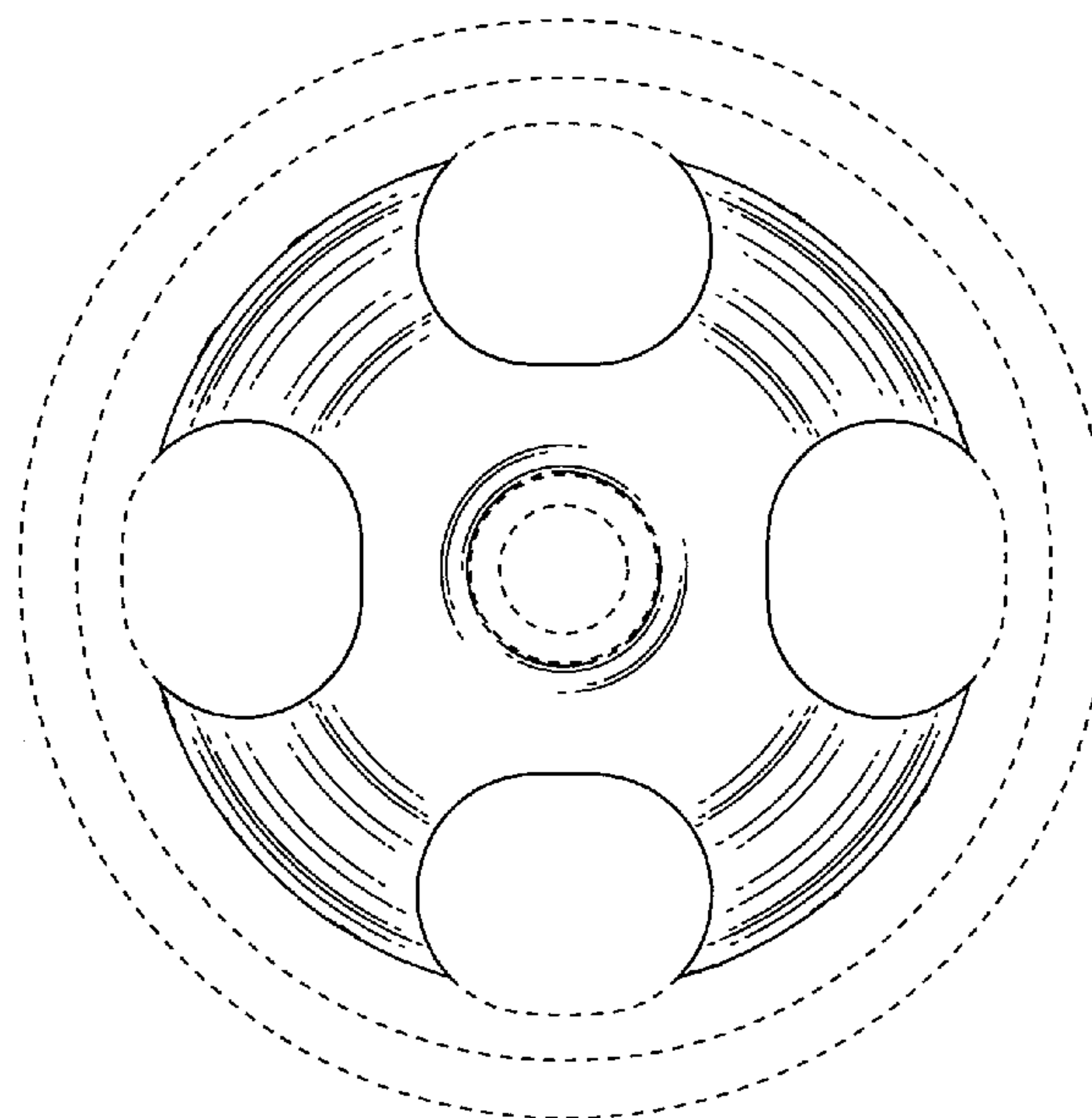
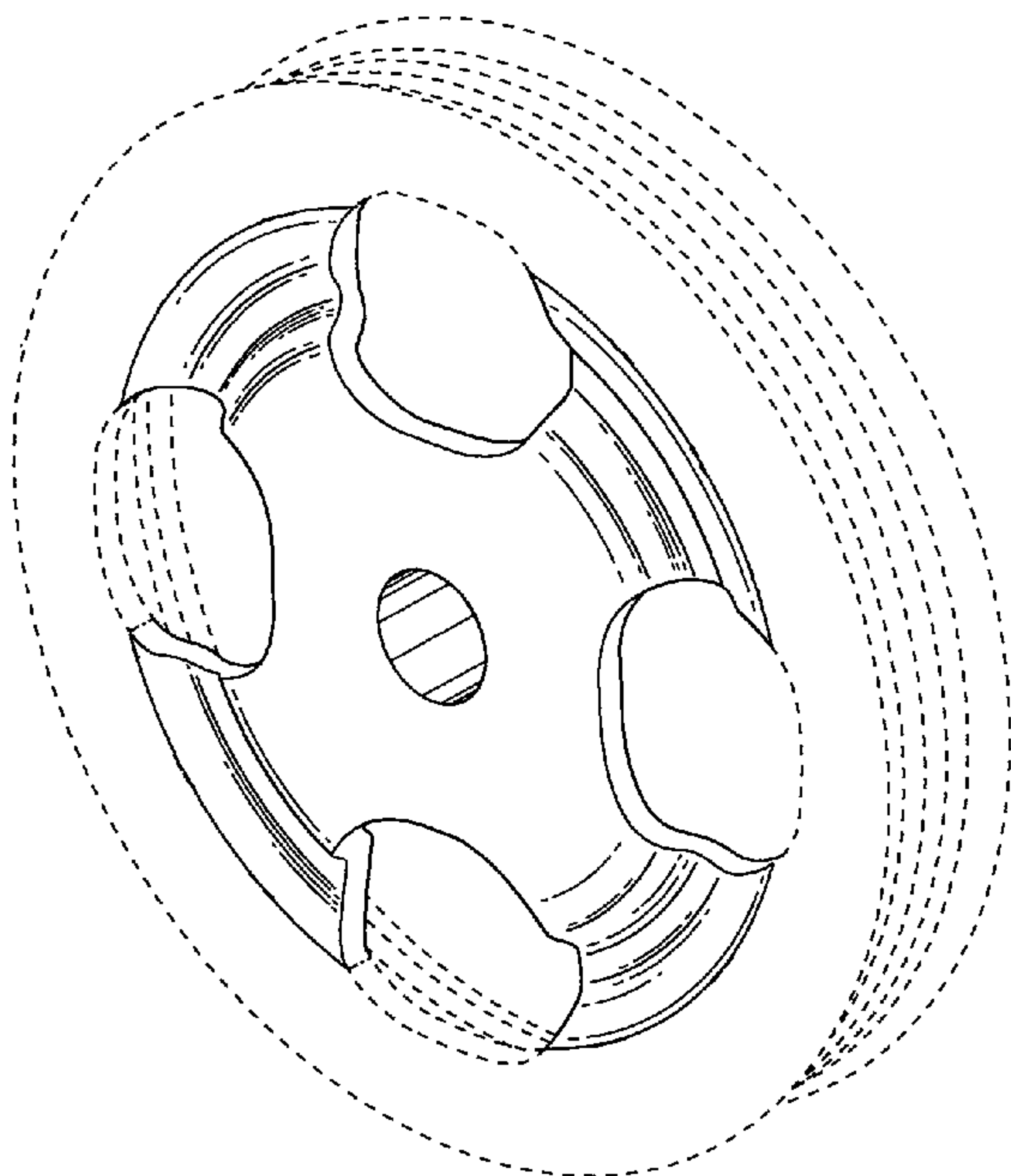


Fig. 1

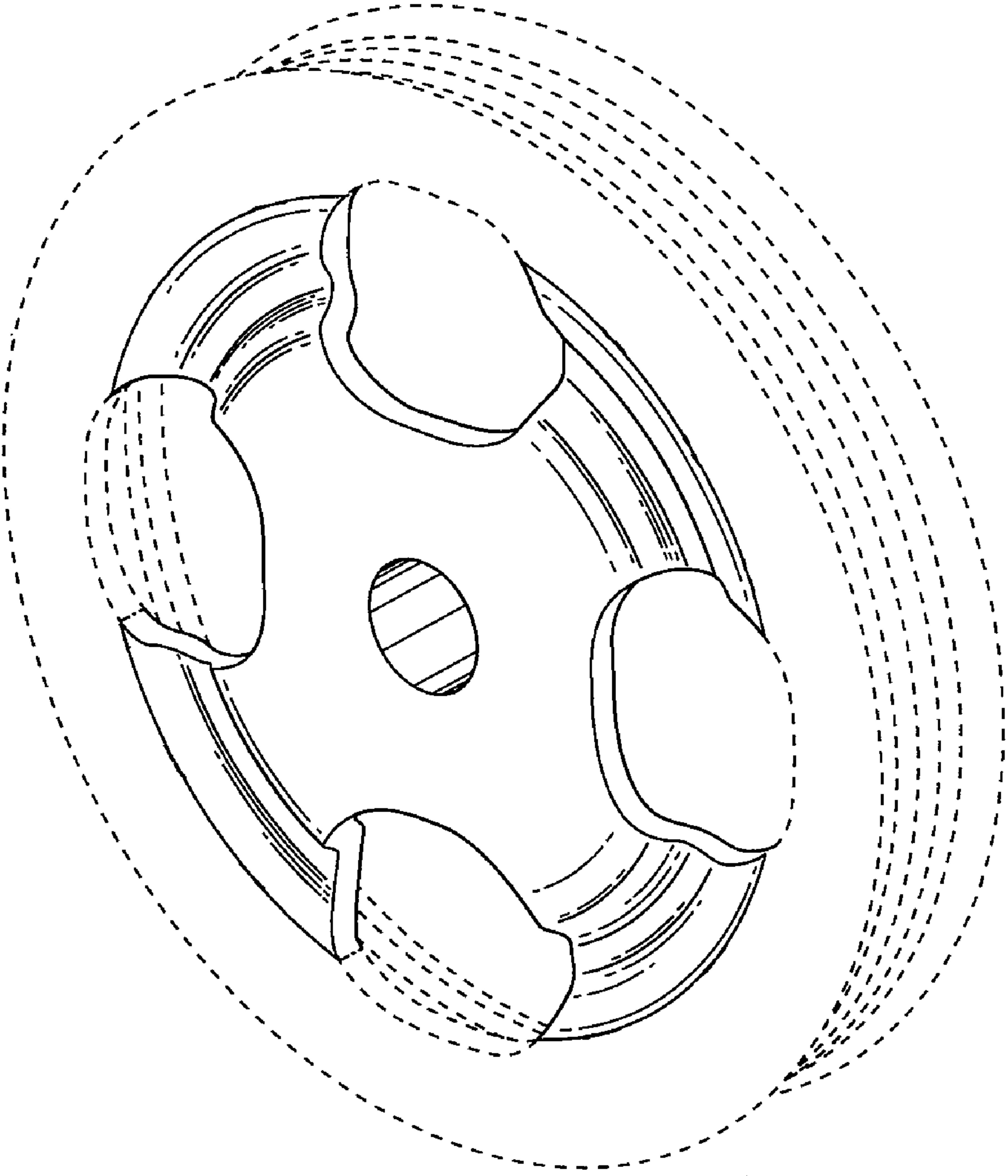


Fig. 2

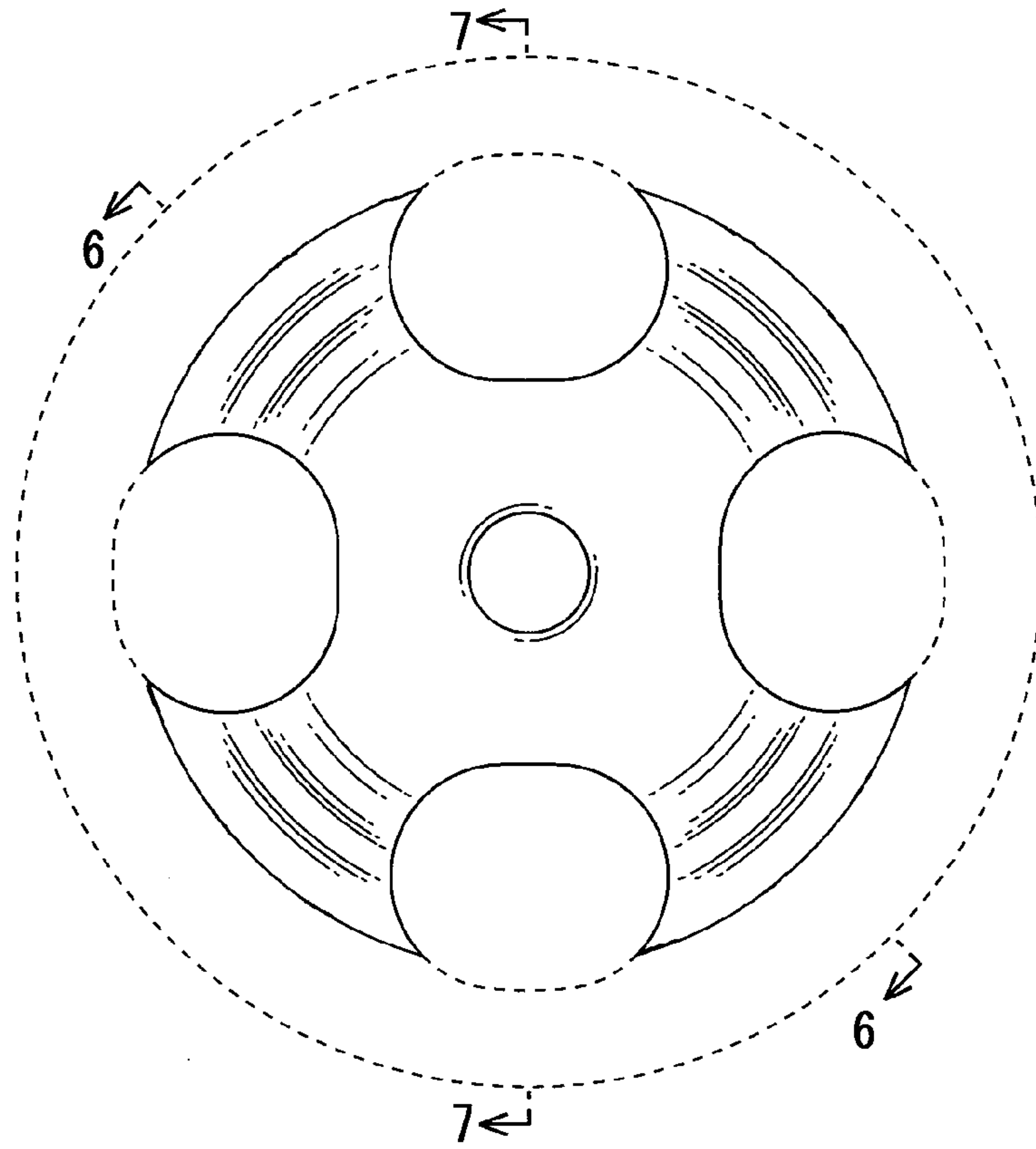


Fig. 3

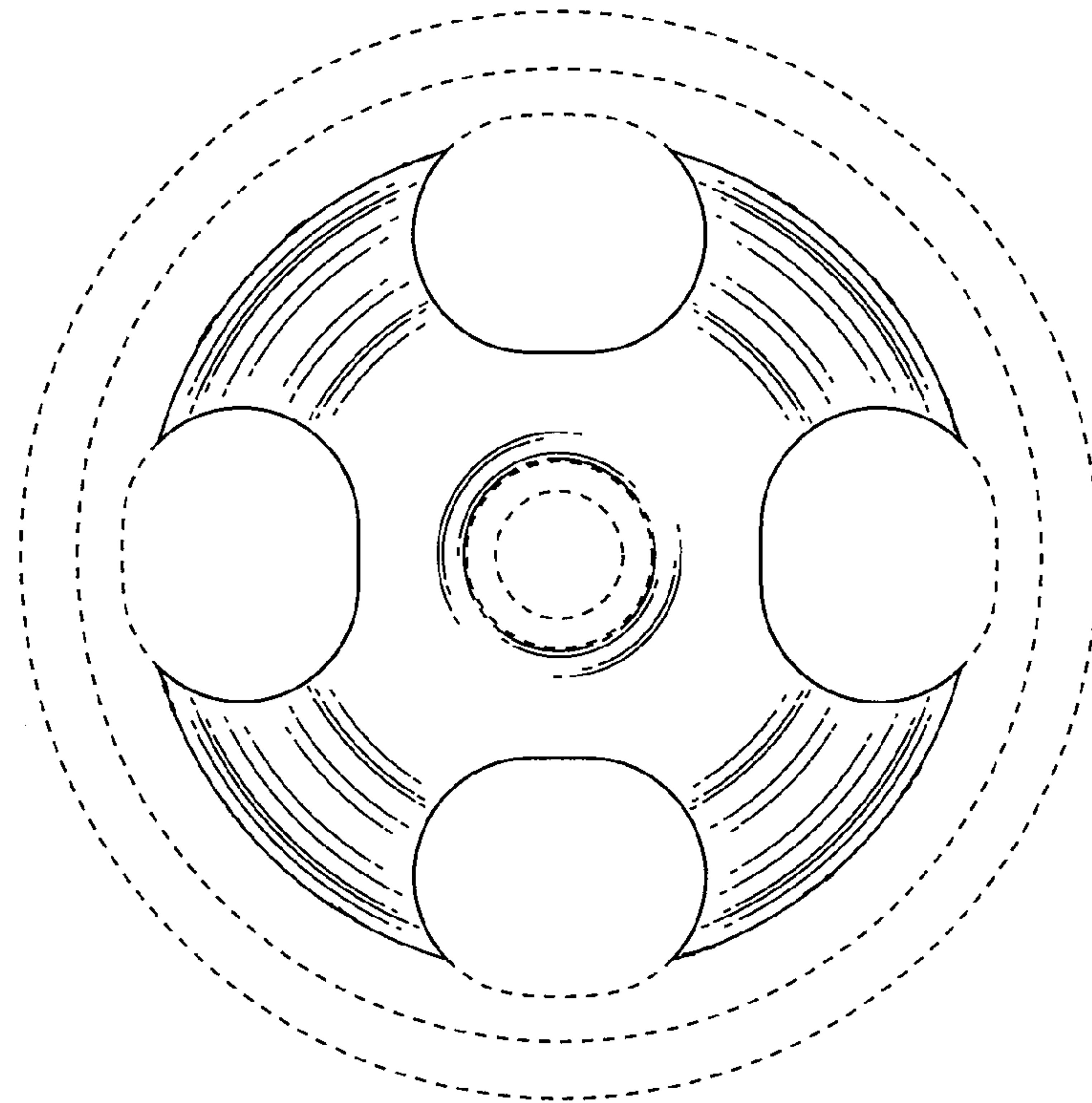


Fig. 4



Fig. 5

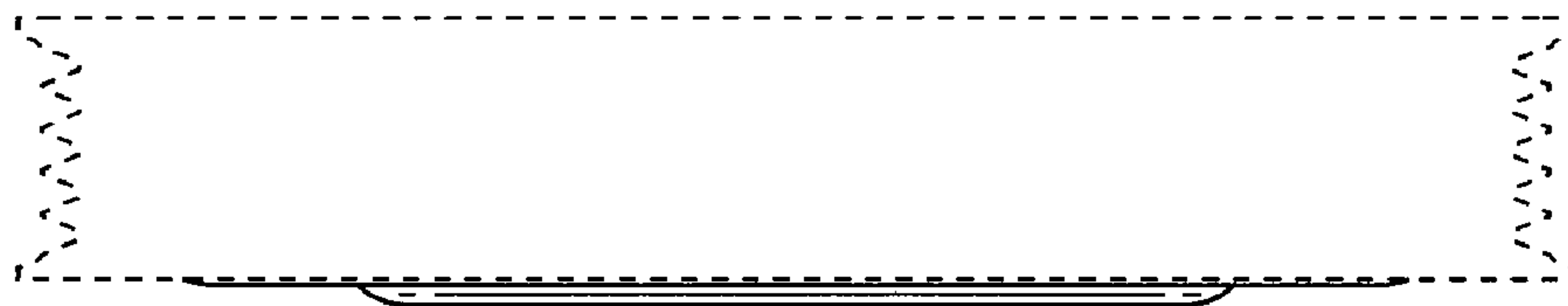


Fig. 6

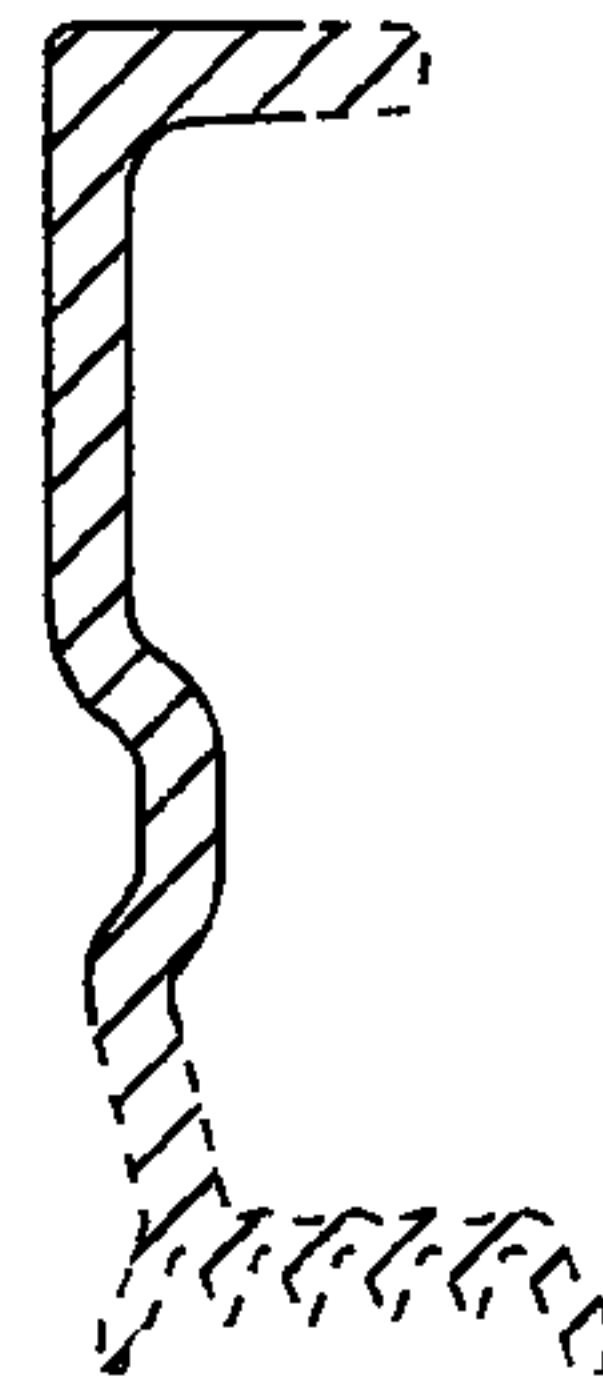
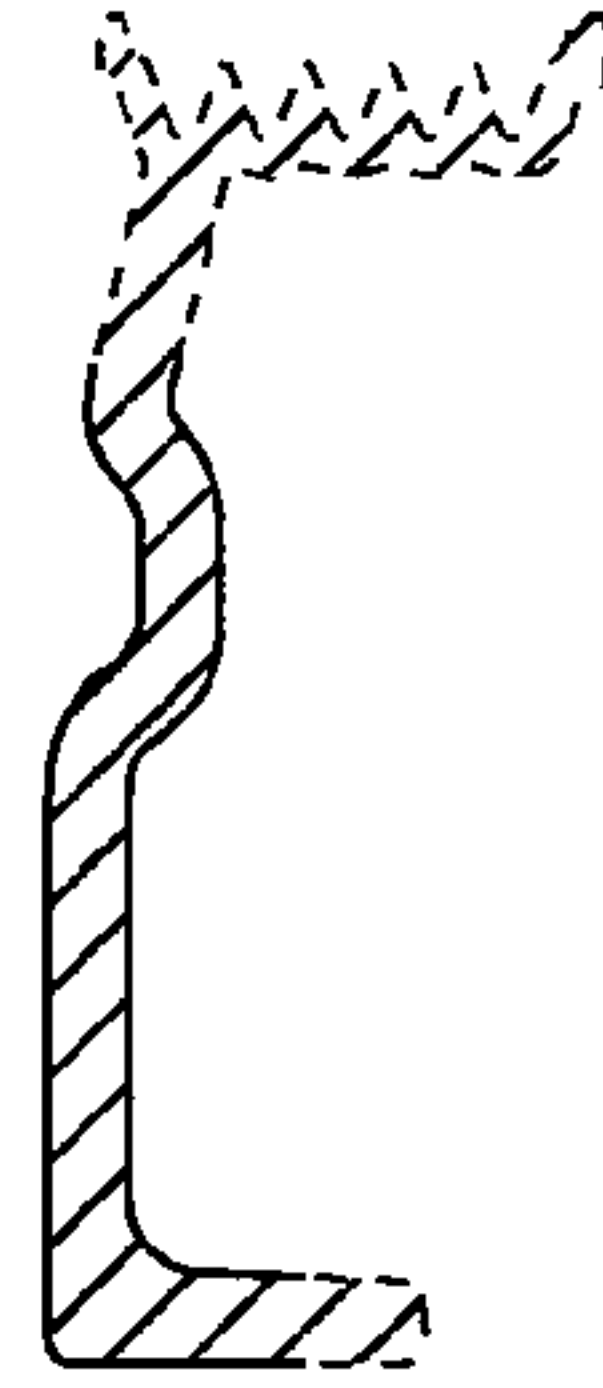


Fig. 7

