

US00D561208S

(12) **United States Design Patent**
Kanemitsu

(10) **Patent No.:** **US D561,208 S**
(45) **Date of Patent:** **** Feb. 5, 2008**

(54) **POWER TRANSMISSION PULLEY**

DE DM/056013 * 12/2000

(75) Inventor: **Toshiaki Kanemitsu**, Hyogo (JP)

(73) Assignee: **Kabushiki Kaisha Kanemitsu**, Hyogo (JP)

(**) Term: **14 Years**

(21) Appl. No.: **29/256,561**

(22) Filed: **Mar. 22, 2006**

Related U.S. Application Data

(62) Division of application No. 29/202,467, filed on Mar. 31, 2004.

(51) **LOC (8) Cl.** **15-99**

(52) **U.S. Cl.** **D15/148**

(58) **Field of Classification Search** D12/501,
D12/175, 204, 207, 208; D15/5, 146-149;
474/8, 37, 31, 29, 39, 41, 47-56; D11/26,
D11/39; D23/269; 74/230.3, 230.5, 230.7
See application file for complete search history.

(56) **References Cited**

U.S. PATENT DOCUMENTS

803,811 A *	11/1905	Outter	474/37
2,933,935 A *	4/1960	Sterkel	474/174
3,108,484 A *	10/1963	Rabinow	474/37
D436,561 S *	1/2001	Louden et al.	D12/123
7,001,293 B2 *	2/2006	Lubben	474/8
D533,052 S *	12/2006	Hodjat et al.	D8/360

FOREIGN PATENT DOCUMENTS

DE DM/046342 * 1/1999

OTHER PUBLICATIONS

Kanemitsu. www.kanemitsu.co.jp/e/sei_02e.html. Jun. 2002. Pulleys: bottom left on page.*

* cited by examiner

Primary Examiner—A. Aronovich

Assistant Examiner—R. Johnson

(74) *Attorney, Agent, or Firm*—Akin Gump Strauss Hauer & Feld LLP

(57) **CLAIM**

I claim the ornamental design for a power transmission pulley, as shown and described.

DESCRIPTION

FIG. 1 is a front perspective view of a power transmission pulley in accordance with the present invention;

FIG. 2 is a front elevational view thereof;

FIG. 3 is a rear elevational view thereof;

FIG. 4 is a left side elevational view thereof; the undisclosed right side elevational view being a mirror image;

FIG. 5 is a top plan view thereof; the undisclosed bottom plan view being a mirror image; and,

FIG. 6 is a cross-sectional end view taken along line 6—6 line in FIG. 2.

The broken lines in the figures are for illustrative purposes only and form no part of the claimed design.

1 Claim, 4 Drawing Sheets

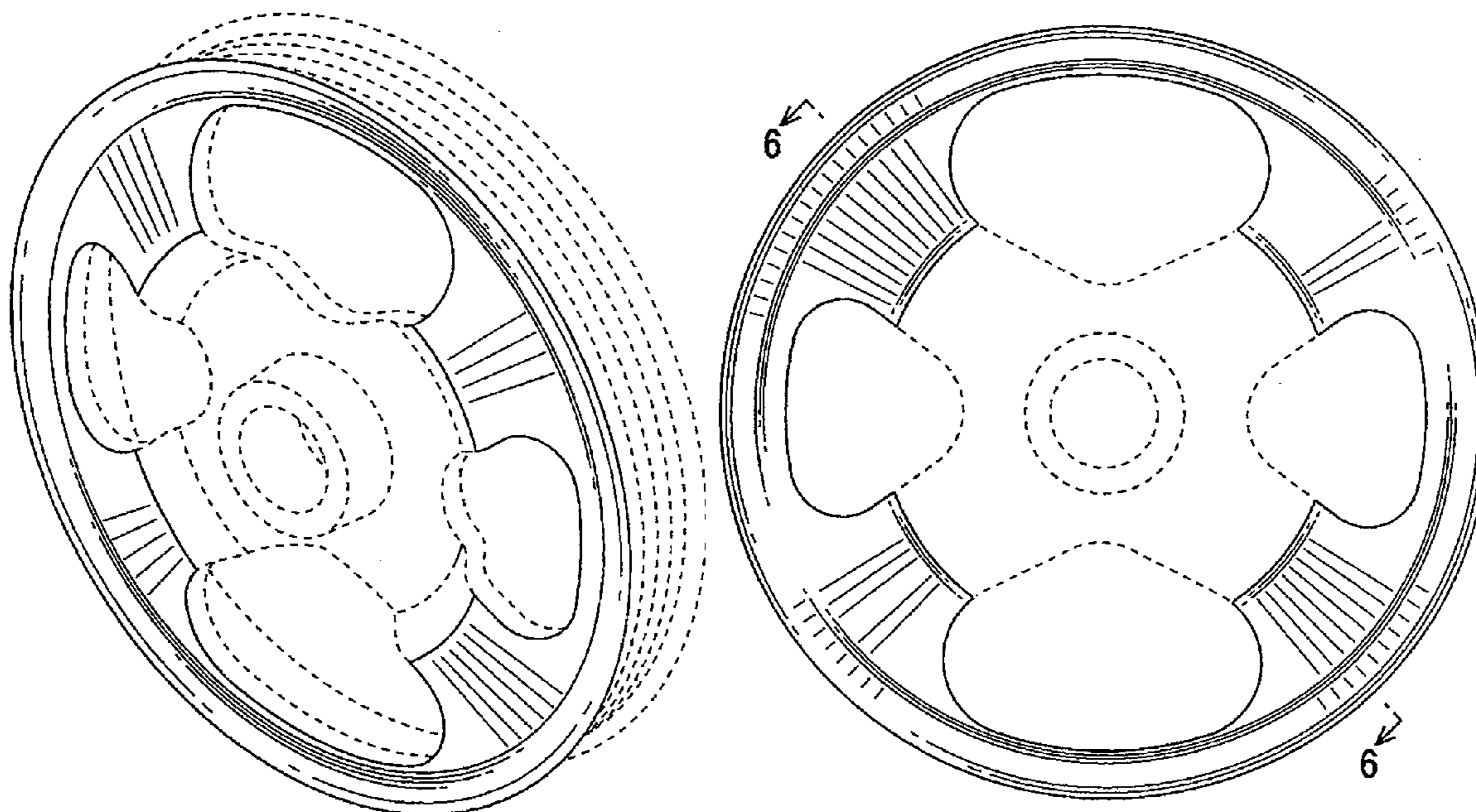


Fig.1

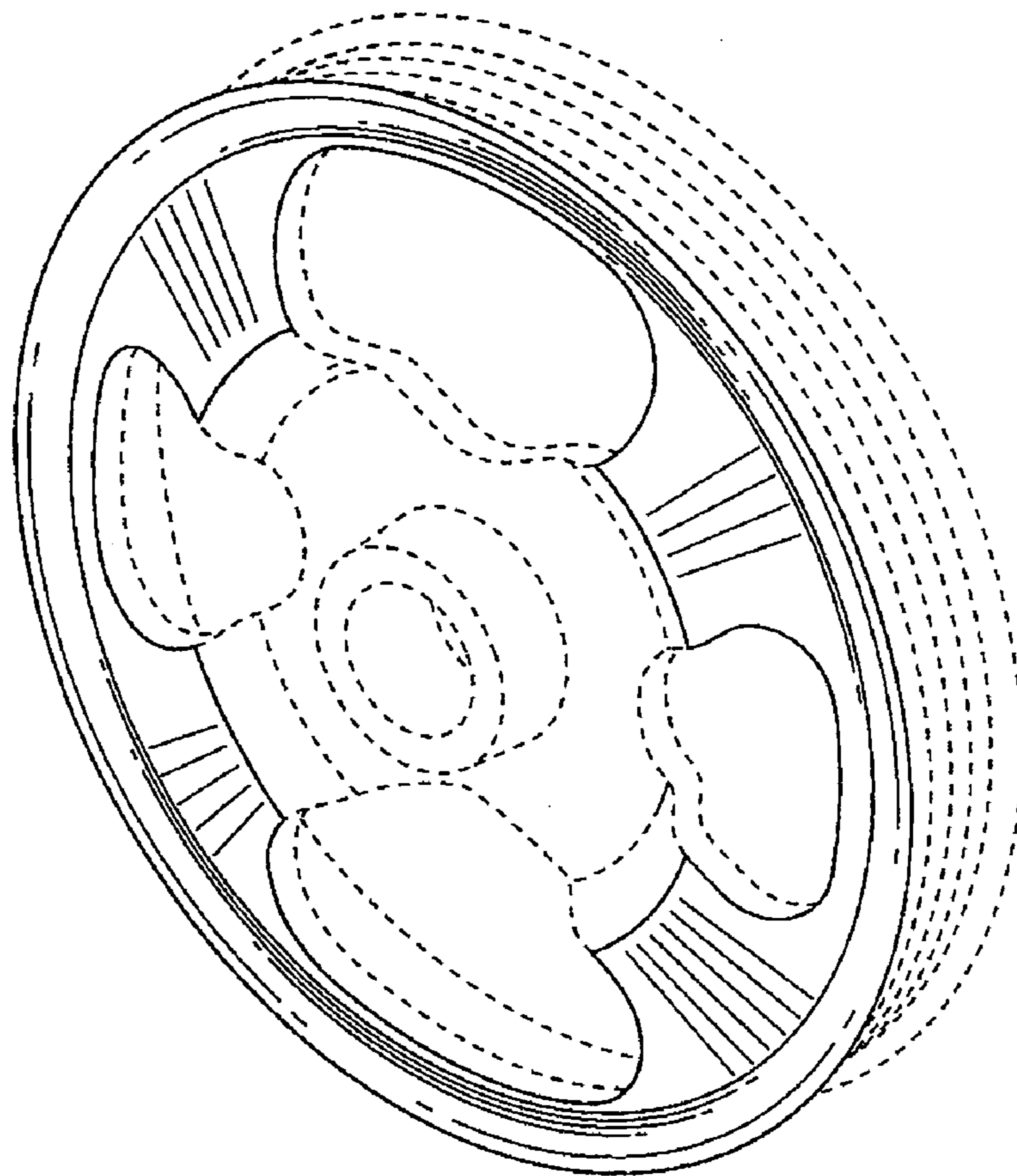


Fig.2

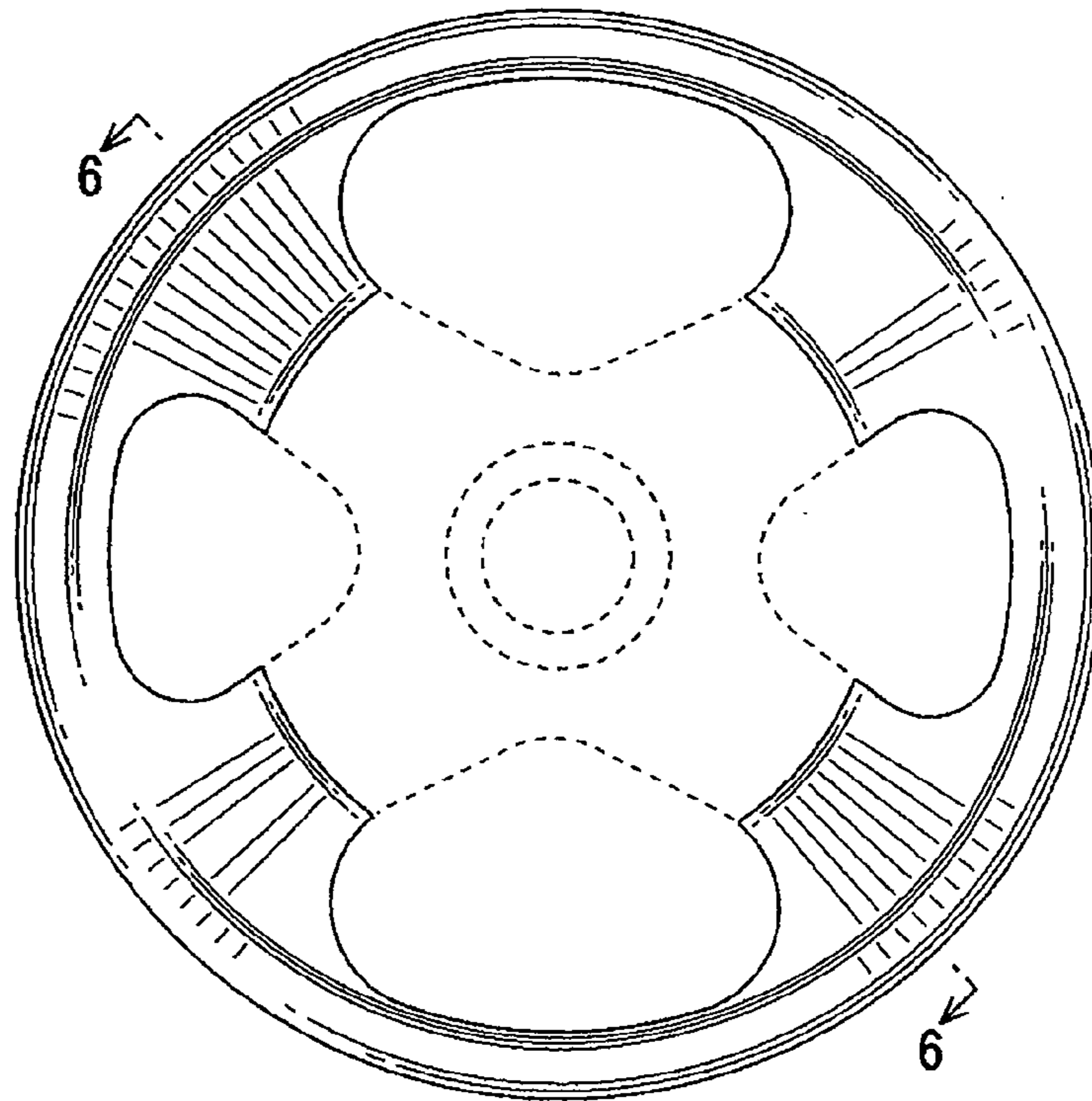


Fig.3

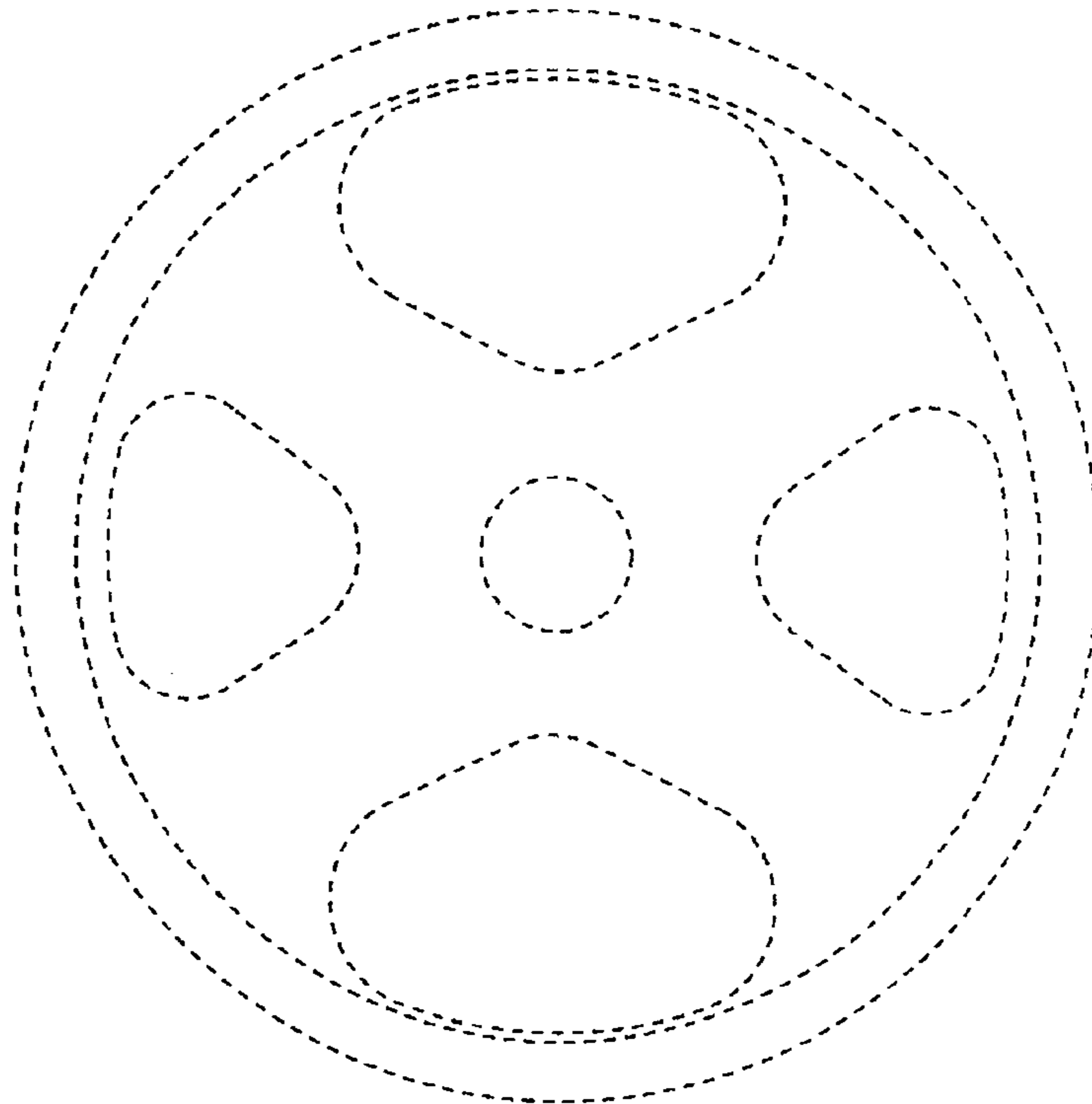


Fig.4

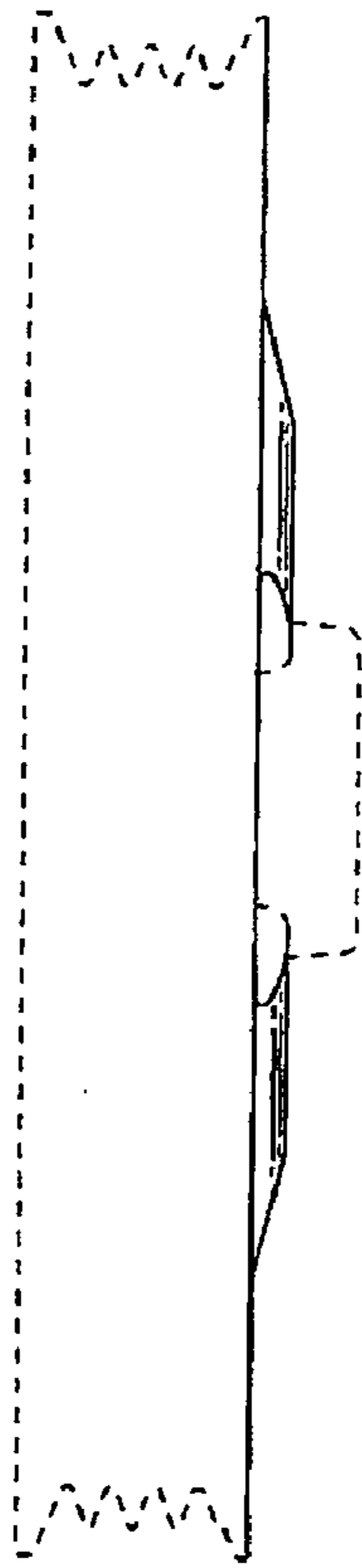


Fig.5

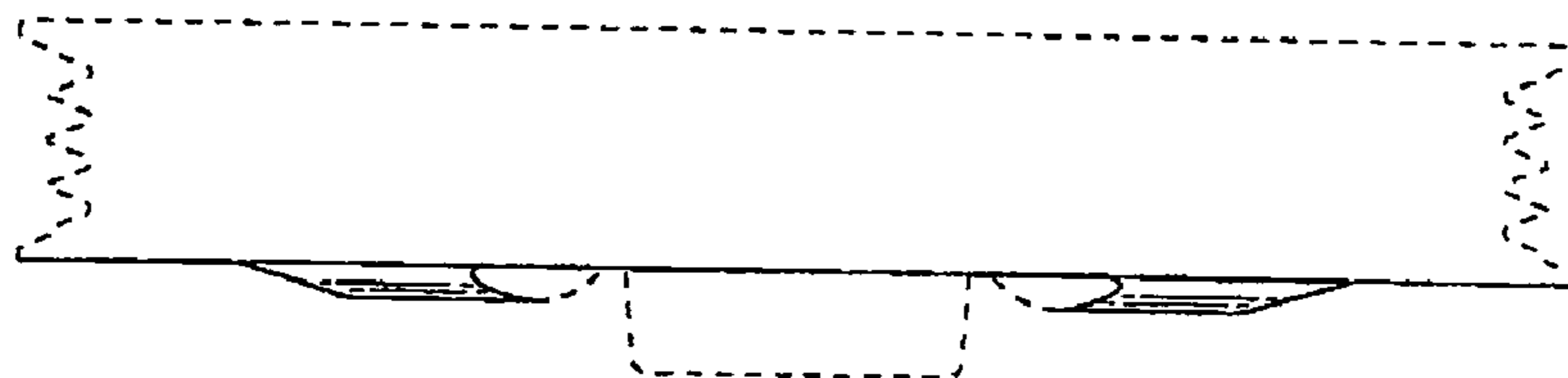


Fig.6

