



US00D561207S

(12) **United States Design Patent**
Yaegashi

(10) **Patent No.:** **US D561,207 S**

(45) **Date of Patent:** **** Feb. 5, 2008**

(54) **FLUID POWER CYLINDER WITH TRUNNION BRACKET**

(75) Inventor: **Makoto Yaegashi**, Tsukubamirai (JP)

(73) Assignee: **SMC Corporation**, Chiyoda-Ku, Tokyo (JP)

(**) Term: **14 Years**

(21) Appl. No.: **29/285,824**

(22) Filed: **Apr. 11, 2007**

(30) **Foreign Application Priority Data**

Oct. 13, 2006 (JP) 2006-027801

(51) **LOC (8) Cl.** **15-09**

(52) **U.S. Cl.** **D15/143; D15/148**

(58) **Field of Classification Search** D15/7,
D15/143, 148; 91/394, 395, 407, 408; 92/5 L,
92/28, 15-17, 21 MR, 68, 88, 128, 137, 143,
92/165 PR, 168, 169, 177

See application file for complete search history.

(56) **References Cited**

U.S. PATENT DOCUMENTS

D264,972 S * 6/1982 McMillin et al. D15/7
4,704,780 A * 11/1987 Moffett 29/252
4,729,418 A * 3/1988 Rude 160/323.1
5,245,912 A * 9/1993 Muller et al. 92/137
D378,214 S * 2/1997 Ikumi D15/7

D420,683 S * 2/2000 Suzuki D15/7
6,089,111 A * 7/2000 Machijima 73/866.5
6,178,870 B1 * 1/2001 Takahashi 92/17
6,467,394 B1 * 10/2002 Wood et al. 92/150
6,568,313 B2 * 5/2003 Fukui et al. 92/168
D480,405 S * 10/2003 Kleffmann et al. D15/143
D542,682 S * 5/2007 Waki et al. D10/85
2003/0034623 A1 * 2/2003 DeWald et al. 280/124.11

* cited by examiner

Primary Examiner—Antoine D. Davis

Assistant Examiner—Patricia Palasik

(74) *Attorney, Agent, or Firm*—Peter Ganjian

(57) **CLAIM**

The ornamental design for a fluid power cylinder with trunnion bracket, as shown and described.

DESCRIPTION

FIG. 1 shows a front view of a fluid power cylinder with trunnion bracket showing my new design;

FIG. 2 shows a rear view thereof;

FIG. 3 shows a top view thereof;

FIG. 4 shows a bottom view thereof;

FIG. 5 shows a right side view thereof;

FIG. 6 shows a left side view thereof; and,

FIG. 7 shows a perspective view thereof.

1 Claim, 4 Drawing Sheets

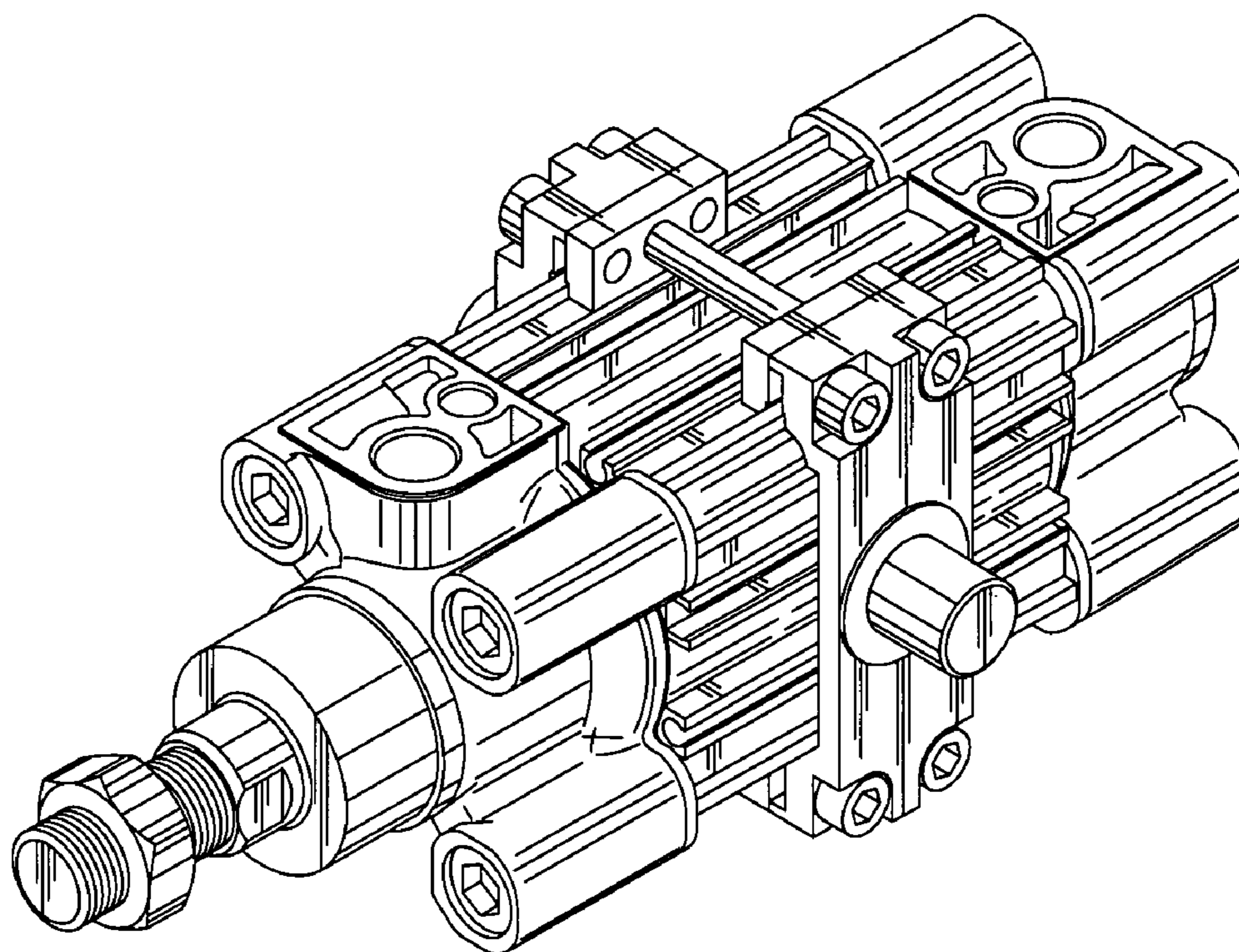


FIG. 1

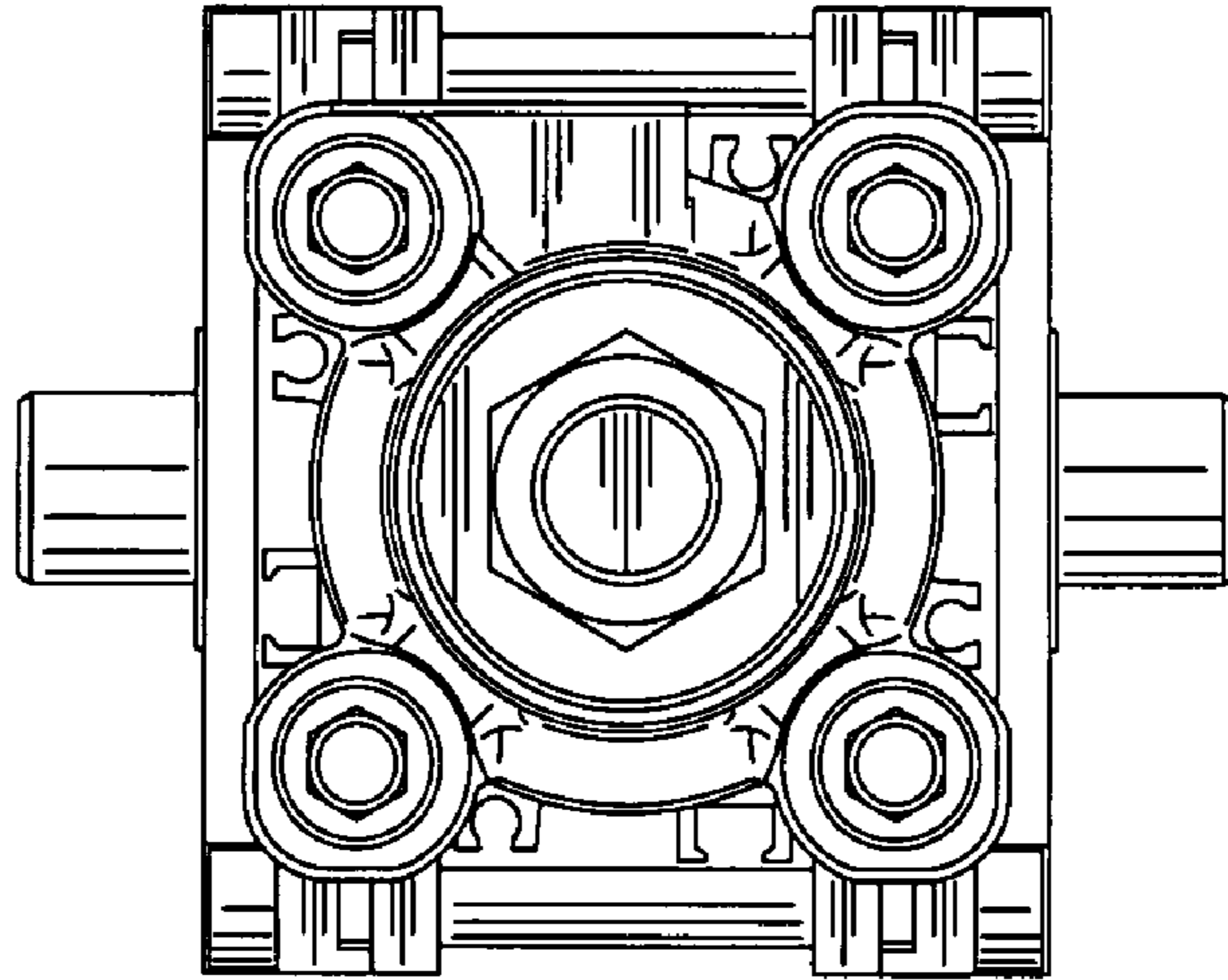


FIG. 2

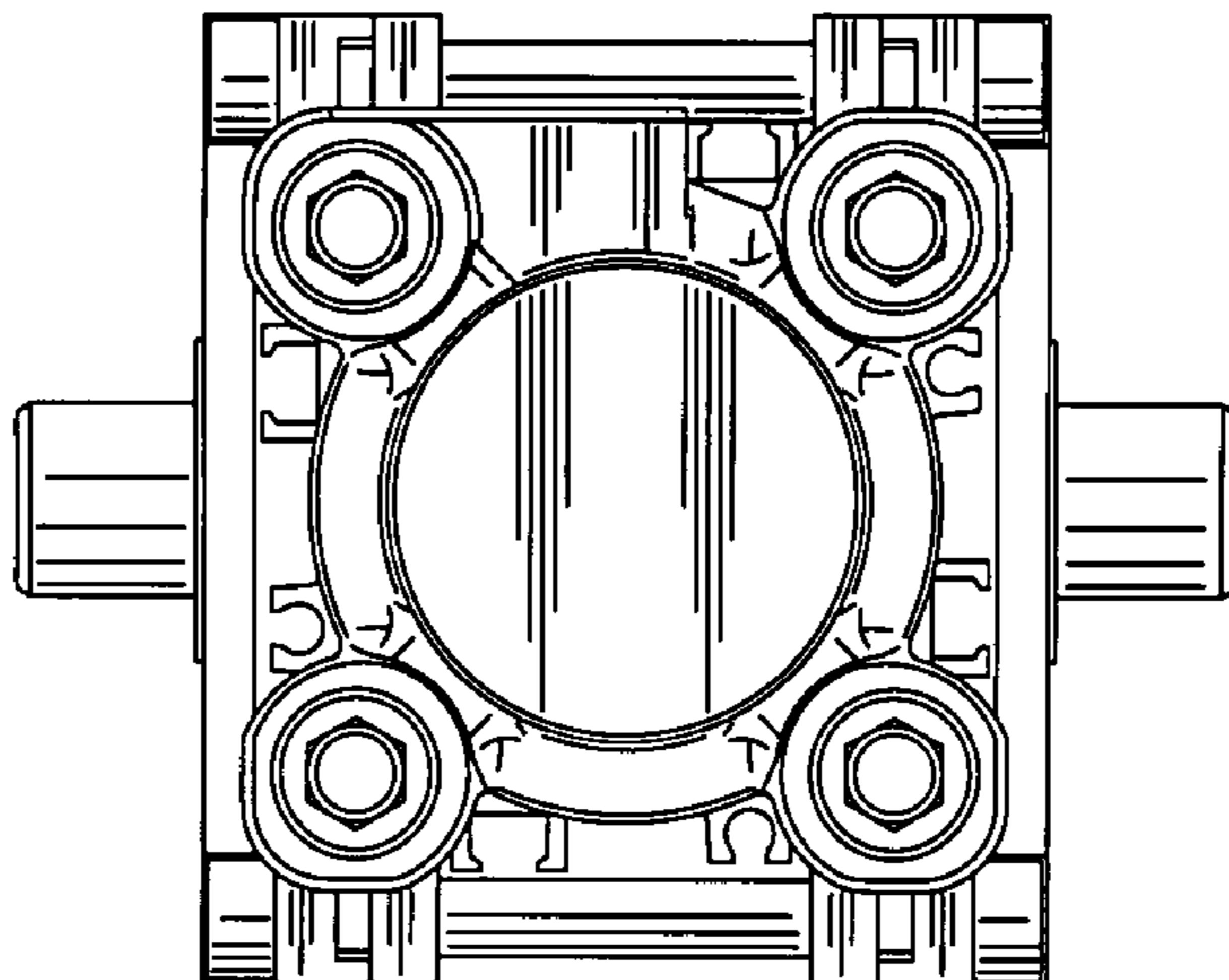


FIG. 3

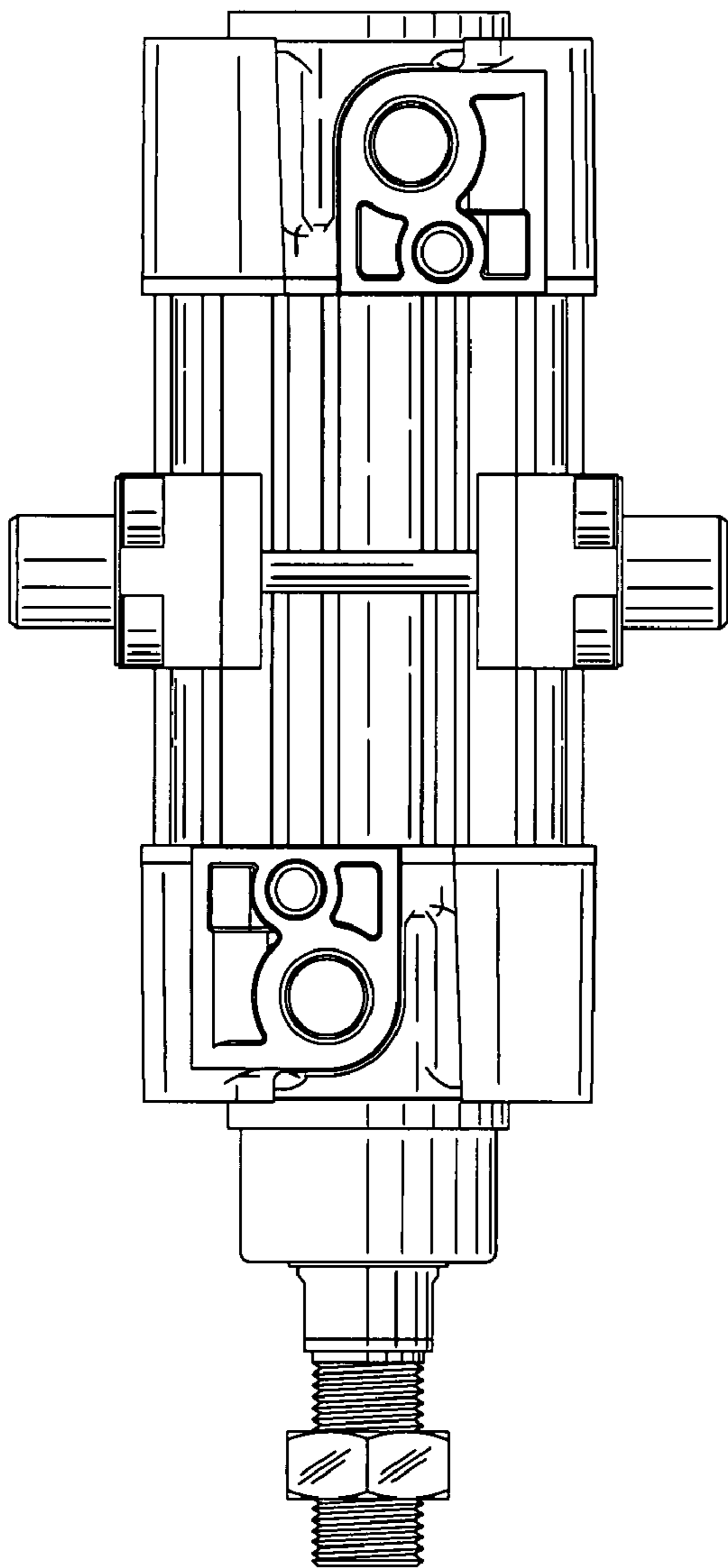


FIG. 4

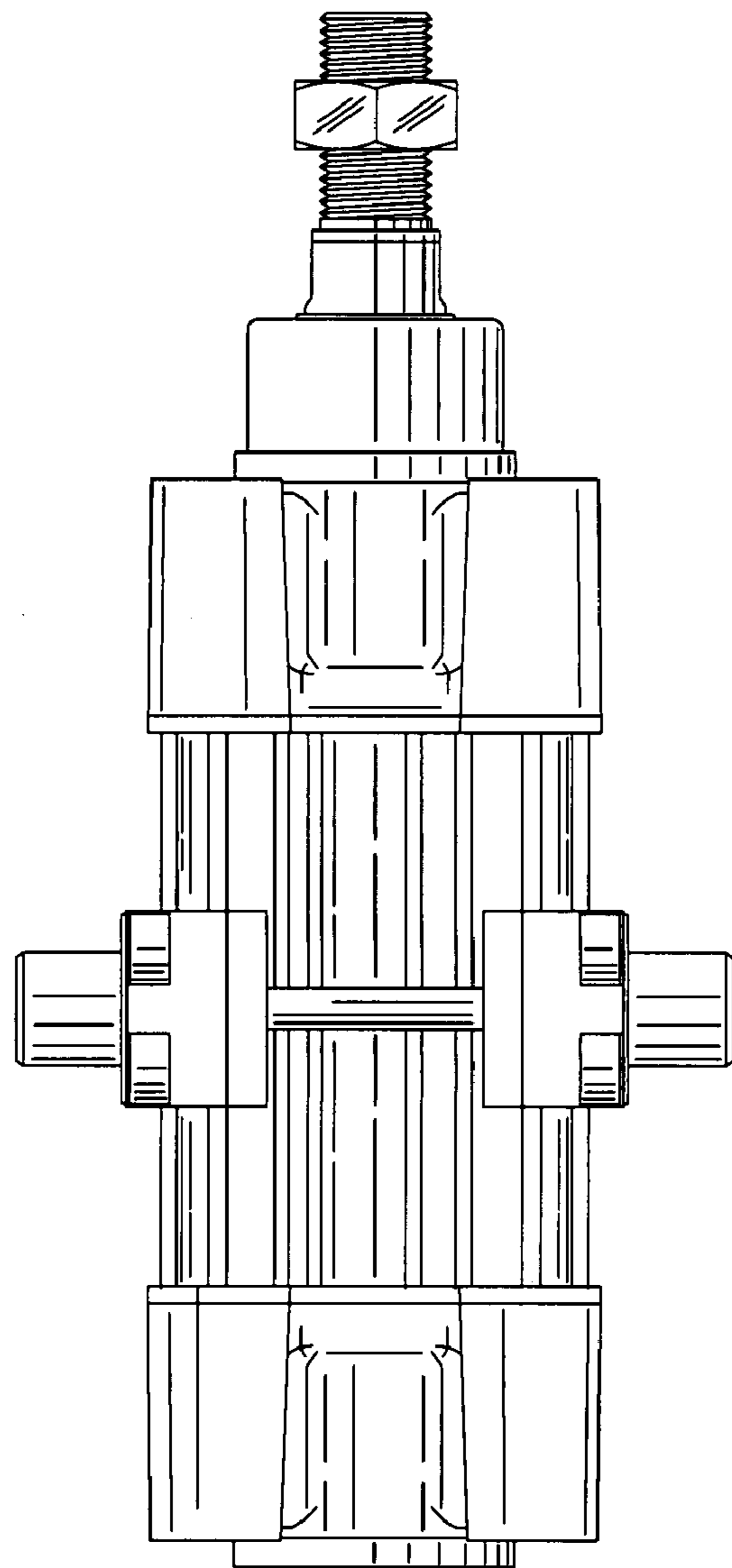


FIG. 5

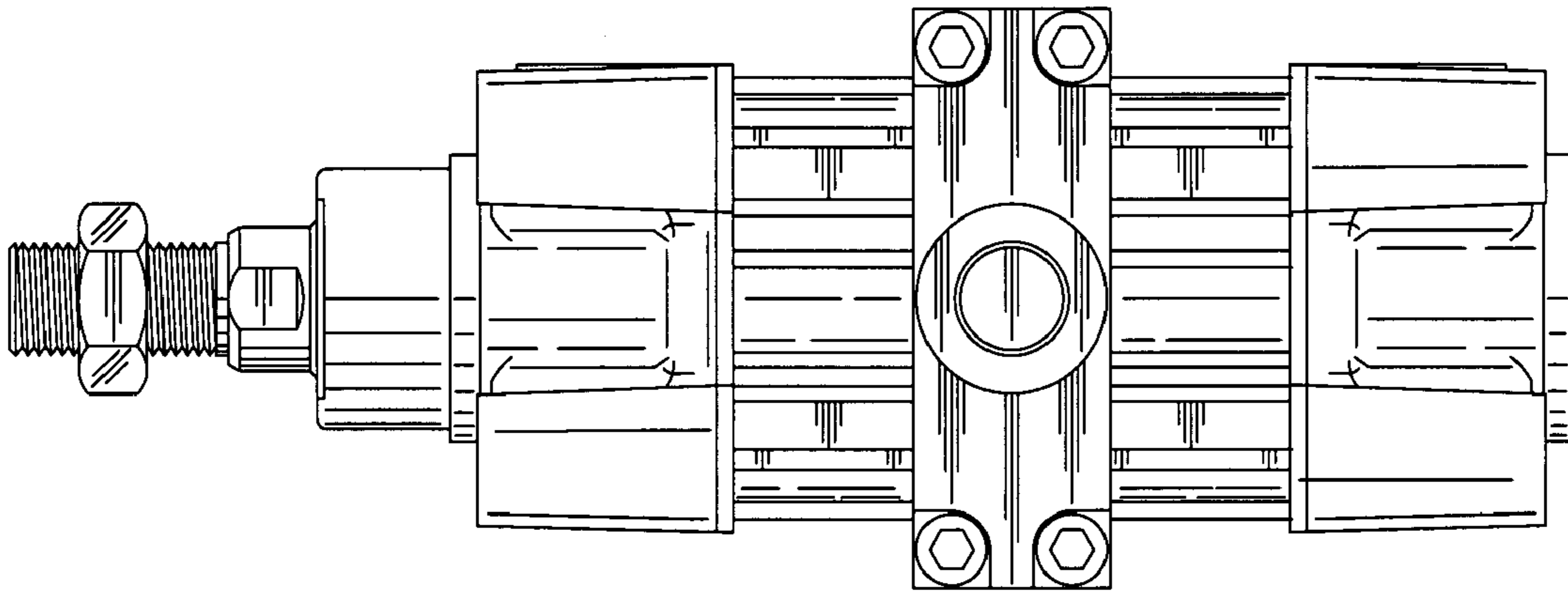


FIG. 6

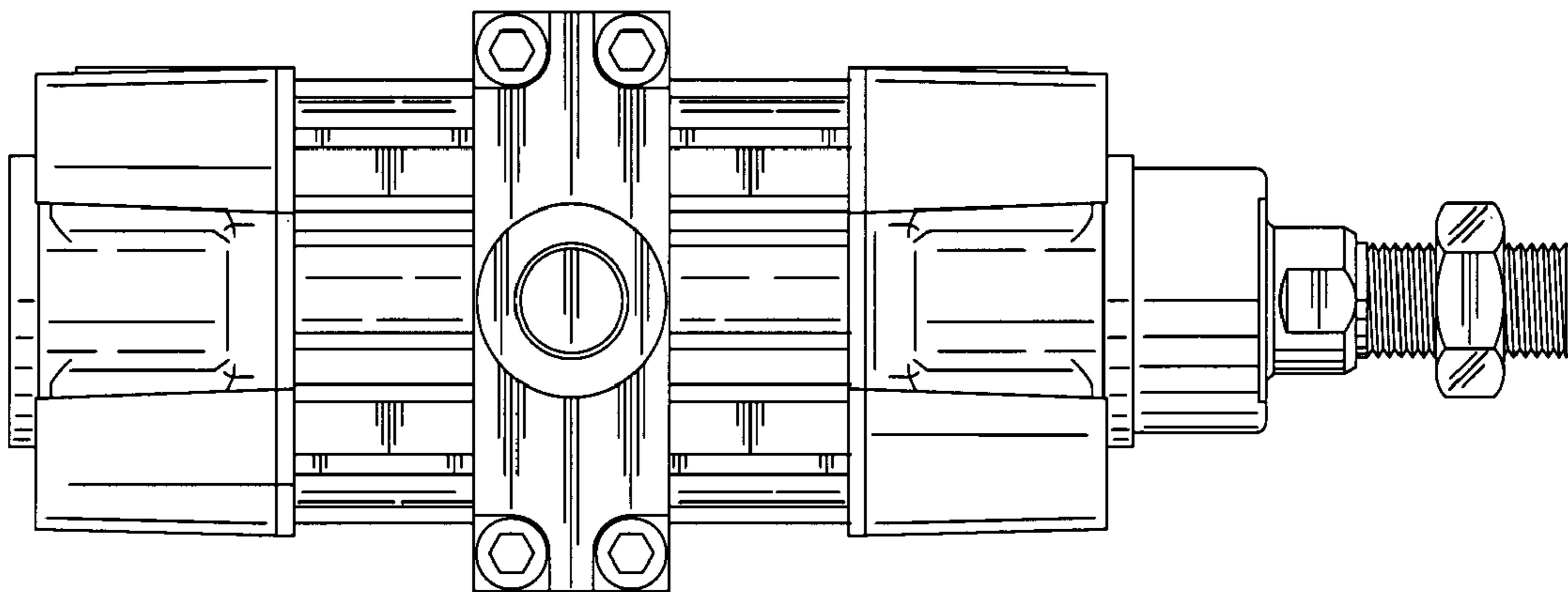


FIG. 7

