

US00D561205S

(12) **United States Design Patent**
Pettersson

(10) **Patent No.:** **US D561,205 S**

(45) **Date of Patent:** **** *Feb. 5, 2008**

(54) **CAB FOR DRIVER**

(75) Inventor: **Lasse Pettersson**, Floda (SE)

(73) Assignee: **VCE Holding Sweden AB**, Eskilstuna (SE)

(*) Notice: This patent is subject to a terminal disclaimer.

(**) Term: **14 Years**

| | | | | |
|-------------|---|---------|----------------------|---------|
| D384,358 S | * | 9/1997 | Smith | D15/30 |
| D389,984 S | * | 1/1998 | Johansson | D34/37 |
| D391,273 S | * | 2/1998 | Linder | D15/30 |
| D398,616 S | * | 9/1998 | Kwak et al. | D15/30 |
| 5,911,624 A | * | 6/1999 | Stauffer | 454/158 |
| D424,580 S | * | 5/2000 | Moehle et al. | D15/23 |
| D427,612 S | * | 7/2000 | Shim | D15/23 |
| D463,461 S | * | 9/2002 | Yanagida et al. | D15/30 |
| D463,462 S | * | 9/2002 | Yanagida et al. | D15/30 |
| D463,807 S | * | 10/2002 | Tamaru et al. | D15/30 |
| D471,213 S | * | 3/2003 | Kwak et al. | D15/30 |
| D497,920 S | * | 11/2004 | Antonetti | D15/30 |

(21) Appl. No.: **29/244,505**

(22) Filed: **Dec. 9, 2005**

(30) **Foreign Application Priority Data**

Nov. 11, 2005 (EM) 000430640-0001

(51) **LOC (8) Cl.** **15-03**

(52) **U.S. Cl.** **D15/30**

(58) **Field of Classification Search** D15/10,
D15/28, 22-26, 30, 33; D12/96; D34/37;
180/89.1, 89.12, 89.13, 89.16, 89.19, 190.01,
180/102

See application file for complete search history.

(56) **References Cited**

U.S. PATENT DOCUMENTS

| | | | | |
|------------|---|---------|---------------------|--------|
| D275,199 S | * | 8/1984 | Schmidt et al. | D15/30 |
| D288,206 S | * | 2/1987 | Moscovitch | D15/30 |
| D312,827 S | * | 12/1990 | Boddin et al. | D15/30 |
| D317,011 S | * | 5/1991 | Boddin et al. | D15/30 |
| D366,267 S | * | 1/1996 | Lepoix | D15/30 |

* cited by examiner

Primary Examiner—Stella Reid

Assistant Examiner—Mark Goodwin

(74) *Attorney, Agent, or Firm*—Novak Druce & Quigg, LLP

(57) **CLAIM**

I claim the ornamental design for a cab for driver, as shown and described.

DESCRIPTION

FIG. 1 is a front side elevational view of a cab for driver showing my new design;

FIG. 2 is a top left perspective view of the design;

FIG. 3 is a top right perspective view of the design;

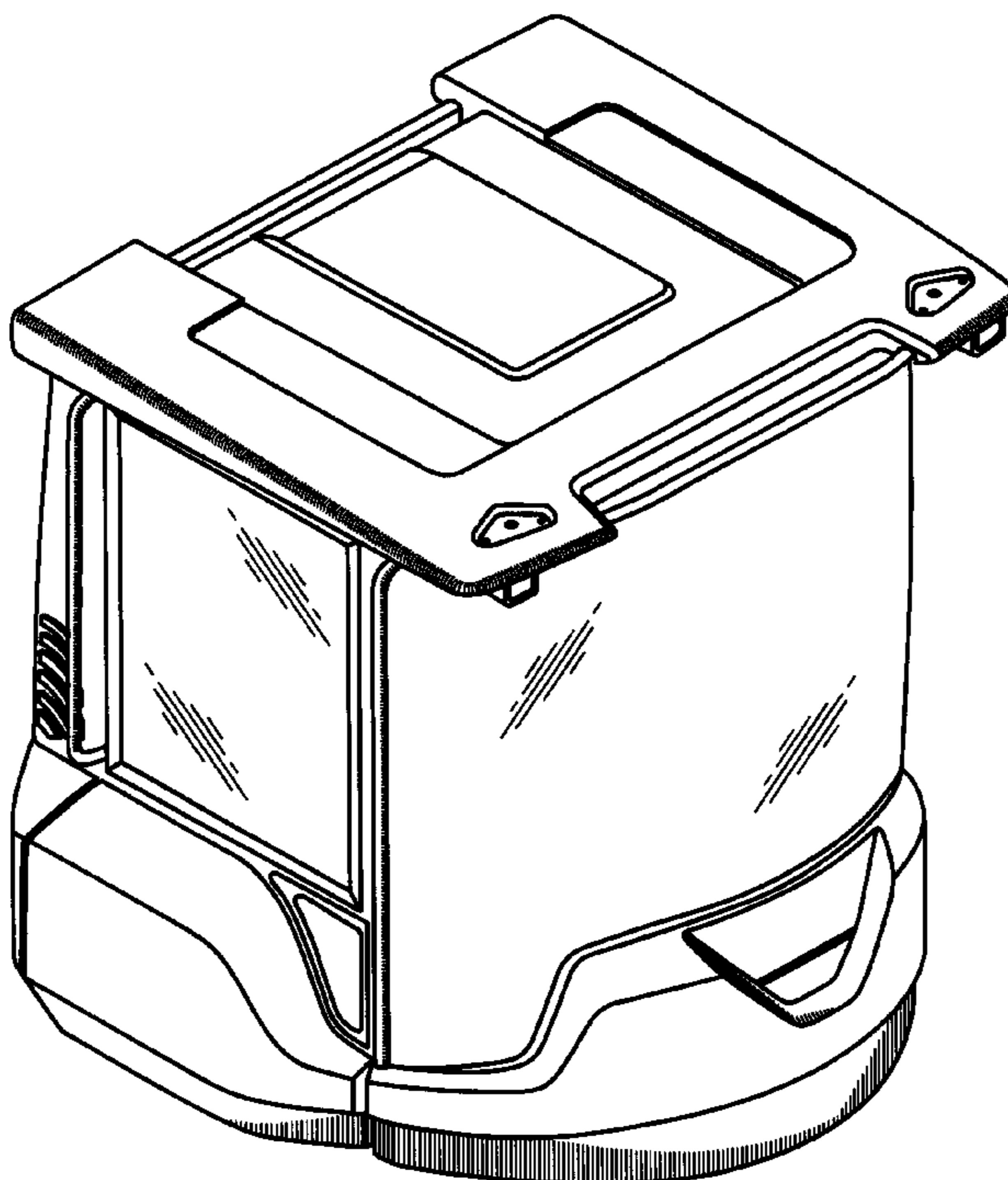
FIG. 4 is a right side elevational view of the design;

FIG. 5 is a left side elevational view of the design;

FIG. 6 is a back side elevational view of the design; and,

FIG. 7 is a top plan view of the design.

1 Claim, 7 Drawing Sheets



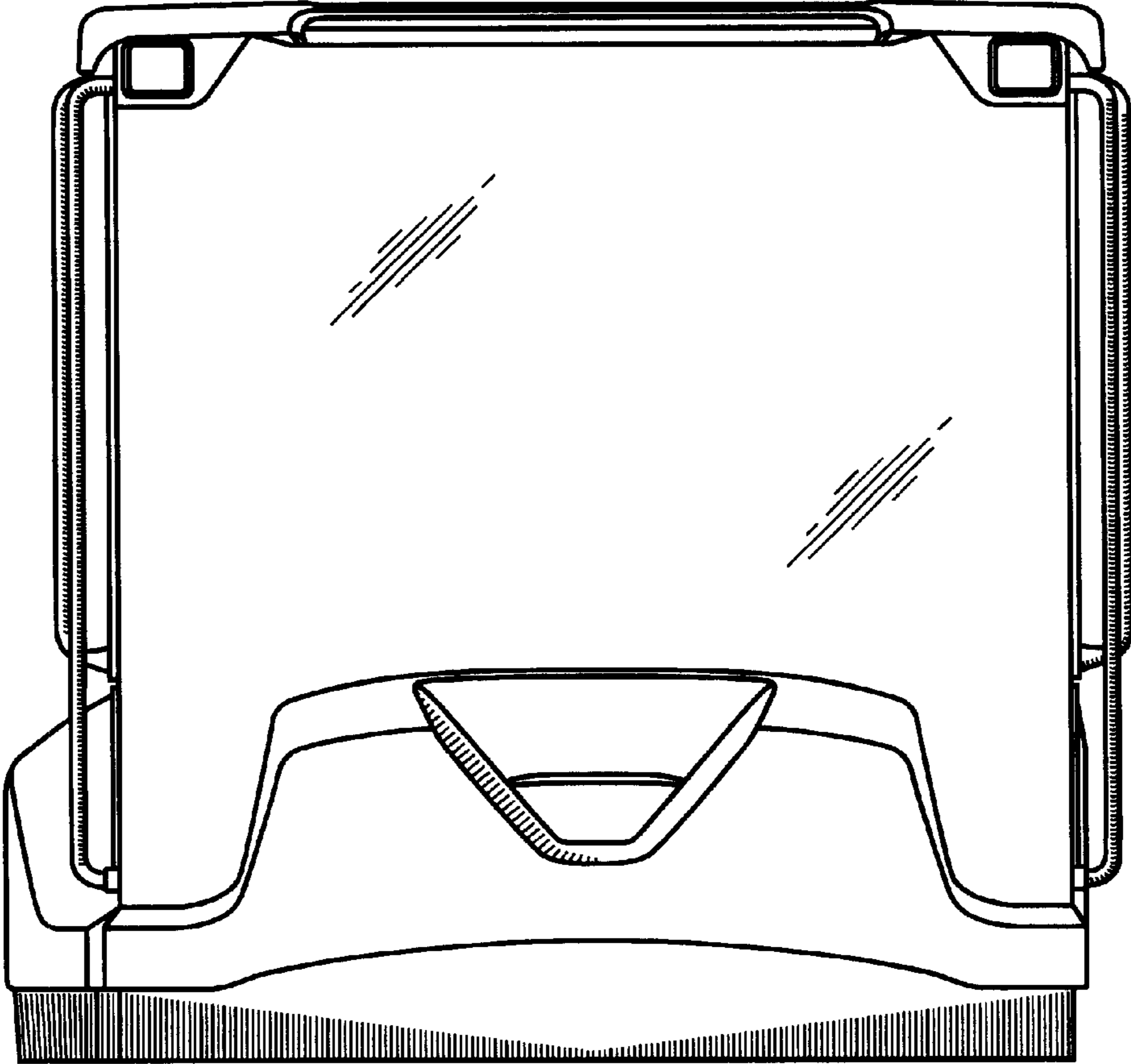


FIG. 1

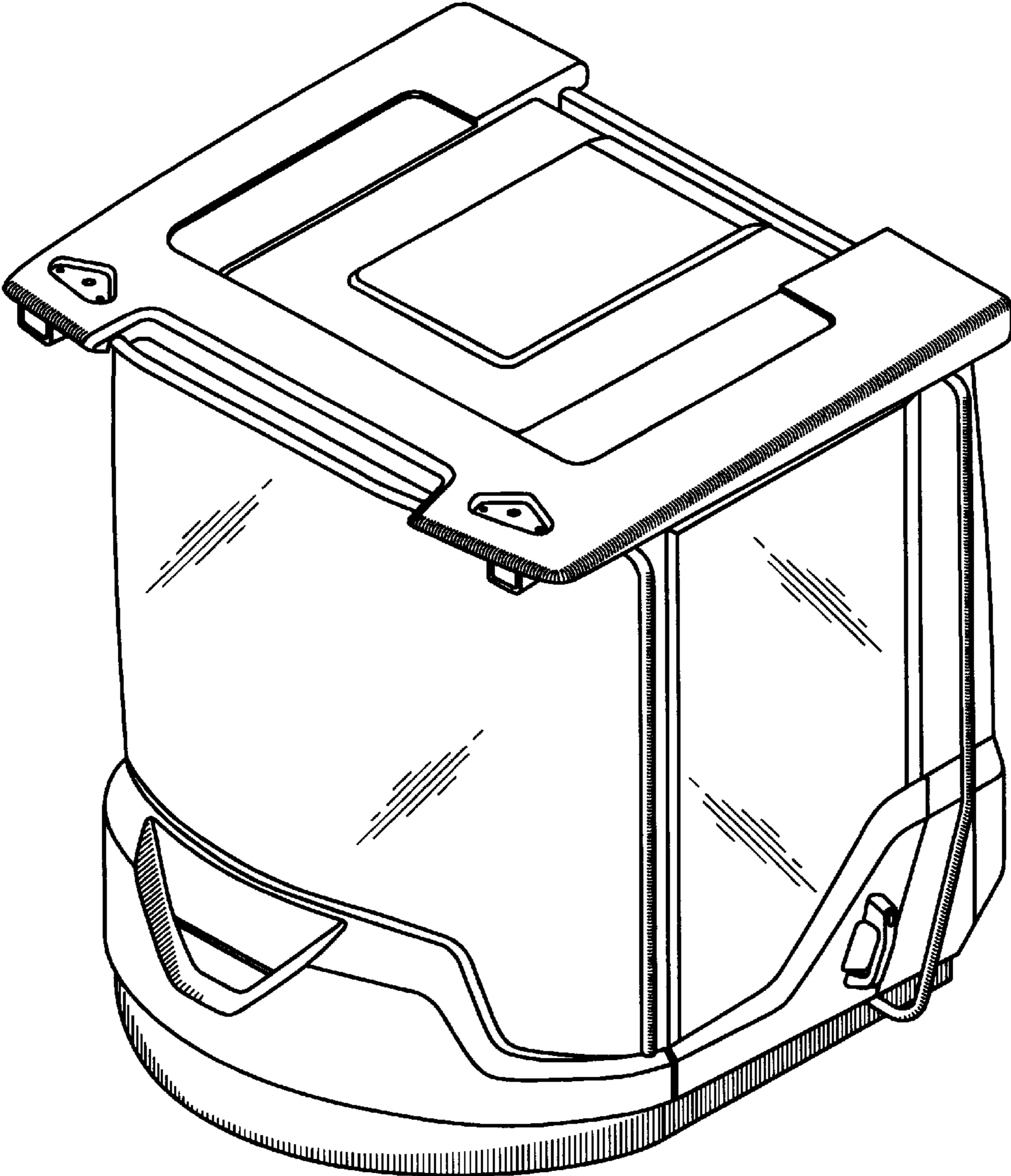


FIG. 2

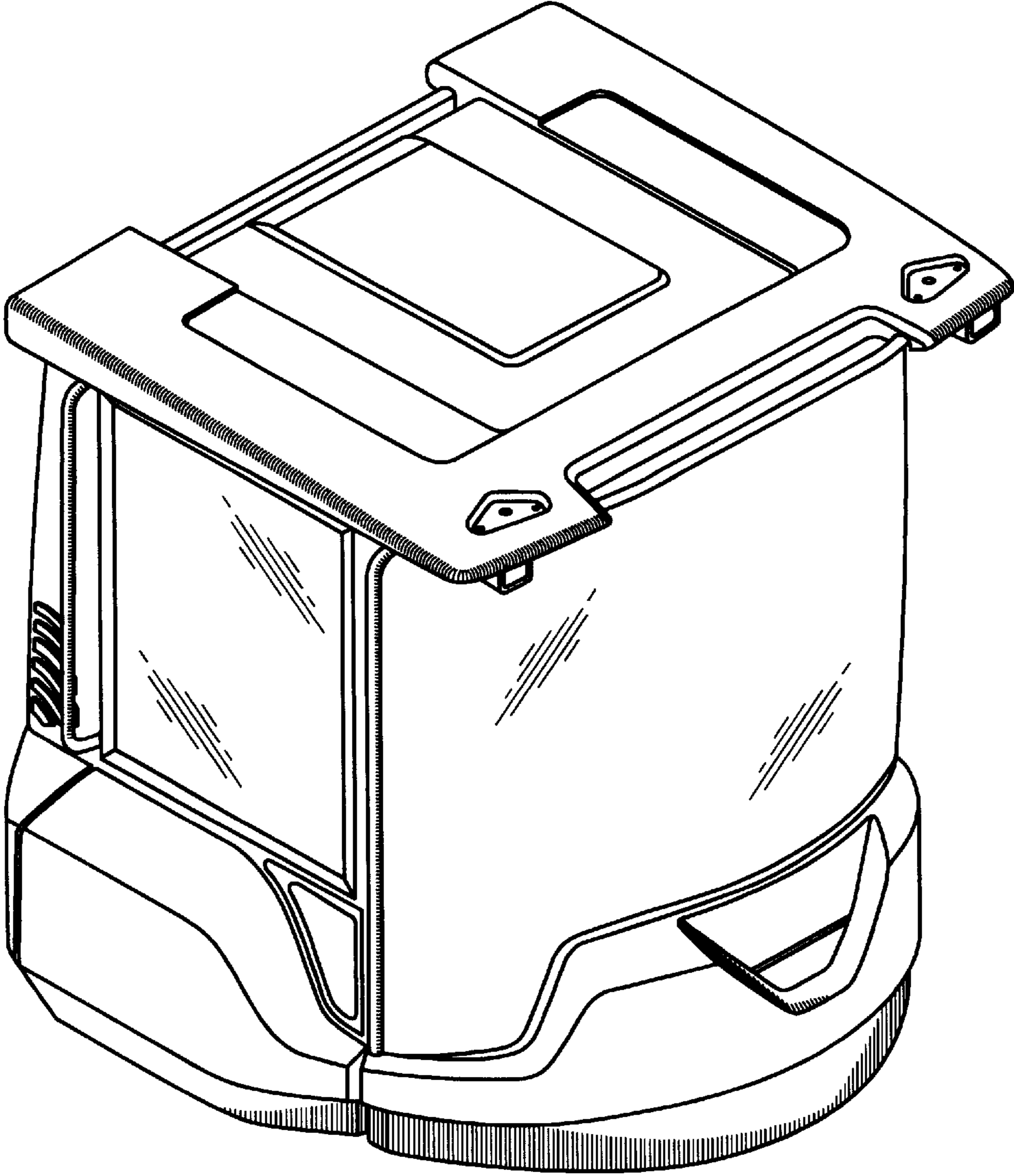


FIG. 3

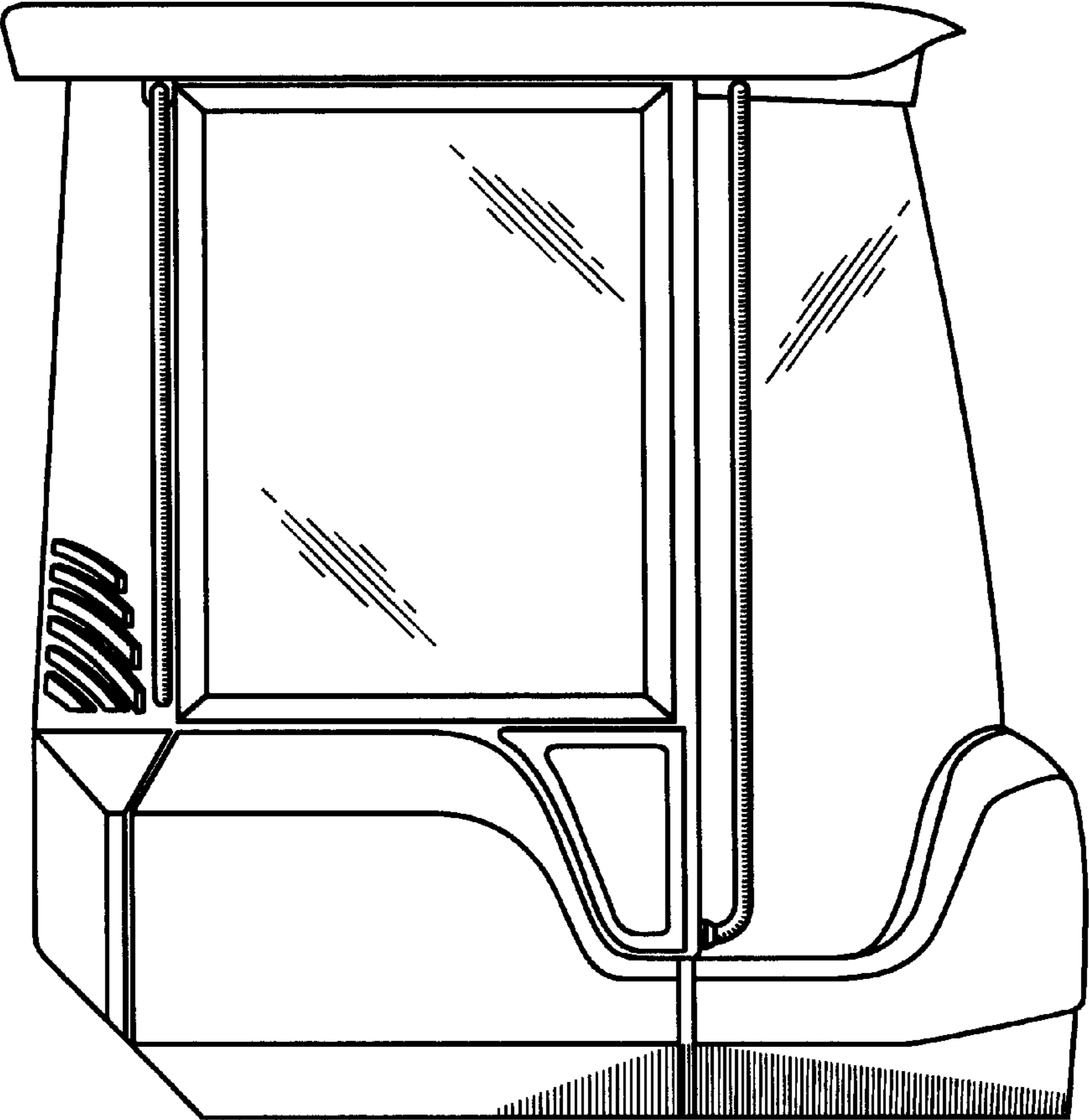


FIG. 4

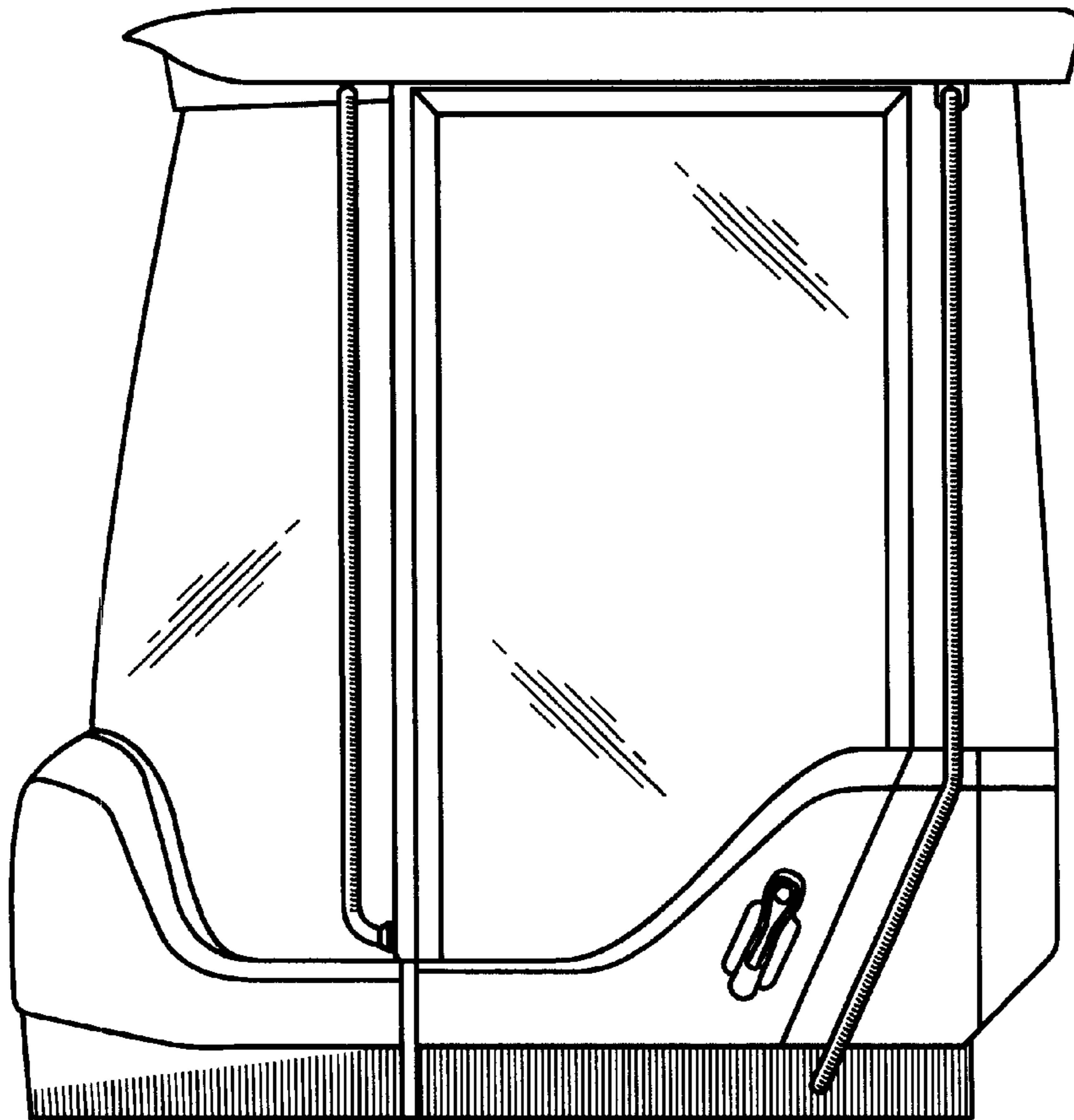


FIG. 5

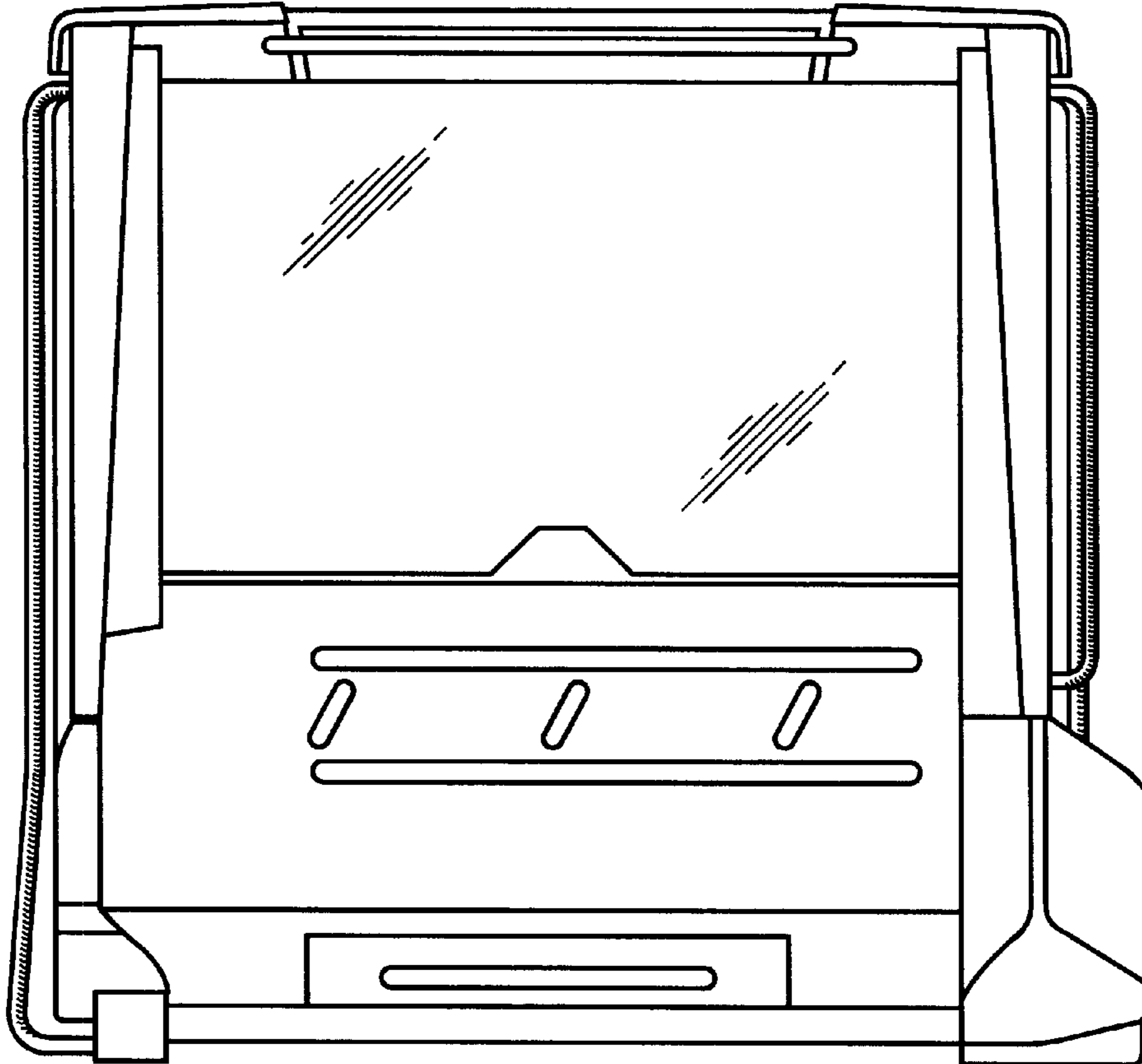


FIG. 6

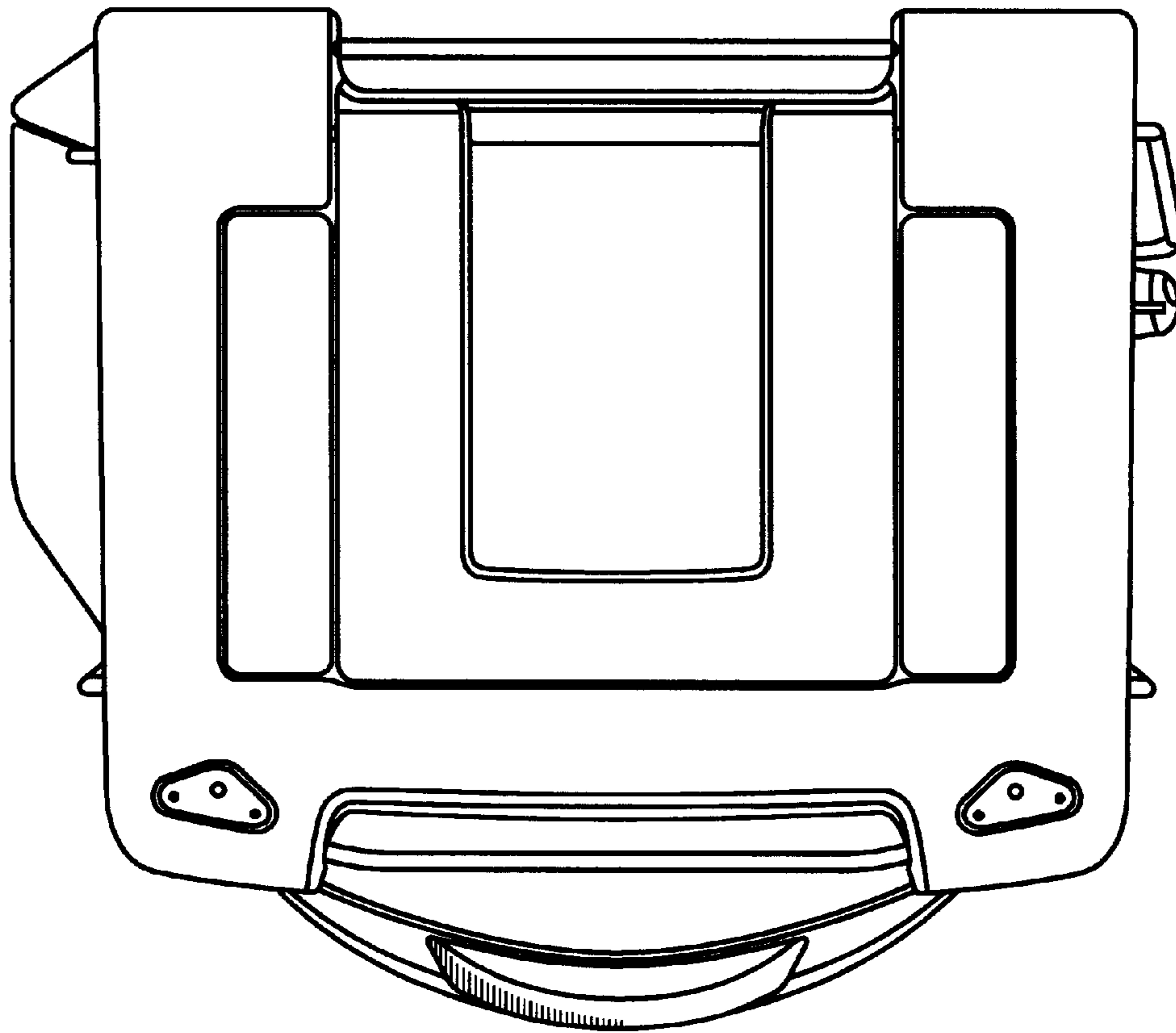


FIG. 7