



US00D561204S

(12) **United States Design Patent**
Toh

(10) **Patent No.:** **US D561,204 S**

(45) **Date of Patent:** **** Feb. 5, 2008**

(54) **MEDIA PLAYER**

(75) Inventor: **Boon Keat Eddy Toh**, Singapore (SG)

(73) Assignee: **Creative Technology Ltd**, Singapore (SG)

(**) Term: **14 Years**

(21) Appl. No.: **29/282,961**

(22) Filed: **Aug. 2, 2007**

(51) **LOC (8) Cl.** **14-03**

(52) **U.S. Cl.** **D14/496**

(58) **Field of Classification Search** D14/496,
D14/401, 435, 474, 483, 217, 137, 138, 160,
D14/168; 345/156, 169, 173-179, 905; 715/727-729,
715/864; 455/11.1, 7, 73, 344-347, 93, 95;
370/342-344; 369/1, 2, 6, 12; 463/43-47;
273/148 B

See application file for complete search history.

(56) **References Cited**

U.S. PATENT DOCUMENTS

- 6,238,291 B1 * 5/2001 Fujimoto et al. 463/44
- 6,639,577 B2 * 10/2003 Eberhard 345/102
- 6,671,567 B1 * 12/2003 Dwyer et al. 700/94
- D489,731 S * 5/2004 Huang D14/496
- D492,323 S * 6/2004 Wang D14/496
- D492,697 S * 7/2004 Tsai D14/496
- D499,423 S * 12/2004 Bahroocha et al. D14/496

- D511,528 S * 11/2005 Yang D14/496
- D523,445 S * 6/2006 Toh D14/496
- D532,791 S * 11/2006 Kim D14/496

* cited by examiner

Primary Examiner—Prabhakar Deshmukh

(74) *Attorney, Agent, or Firm*—Kennedy Koblin

(57) **CLAIM**

The ornamental design for a media player, substantially as shown and described.

DESCRIPTION

FIG. 1 is a perspective view of a media player in accordance with the present design;

FIG. 2 is a front view of the media player shown in FIG. 1;

FIG. 3 is a rear view of the media player shown in FIG. 1;

FIG. 4 is a top view of the media player shown in FIG. 1;

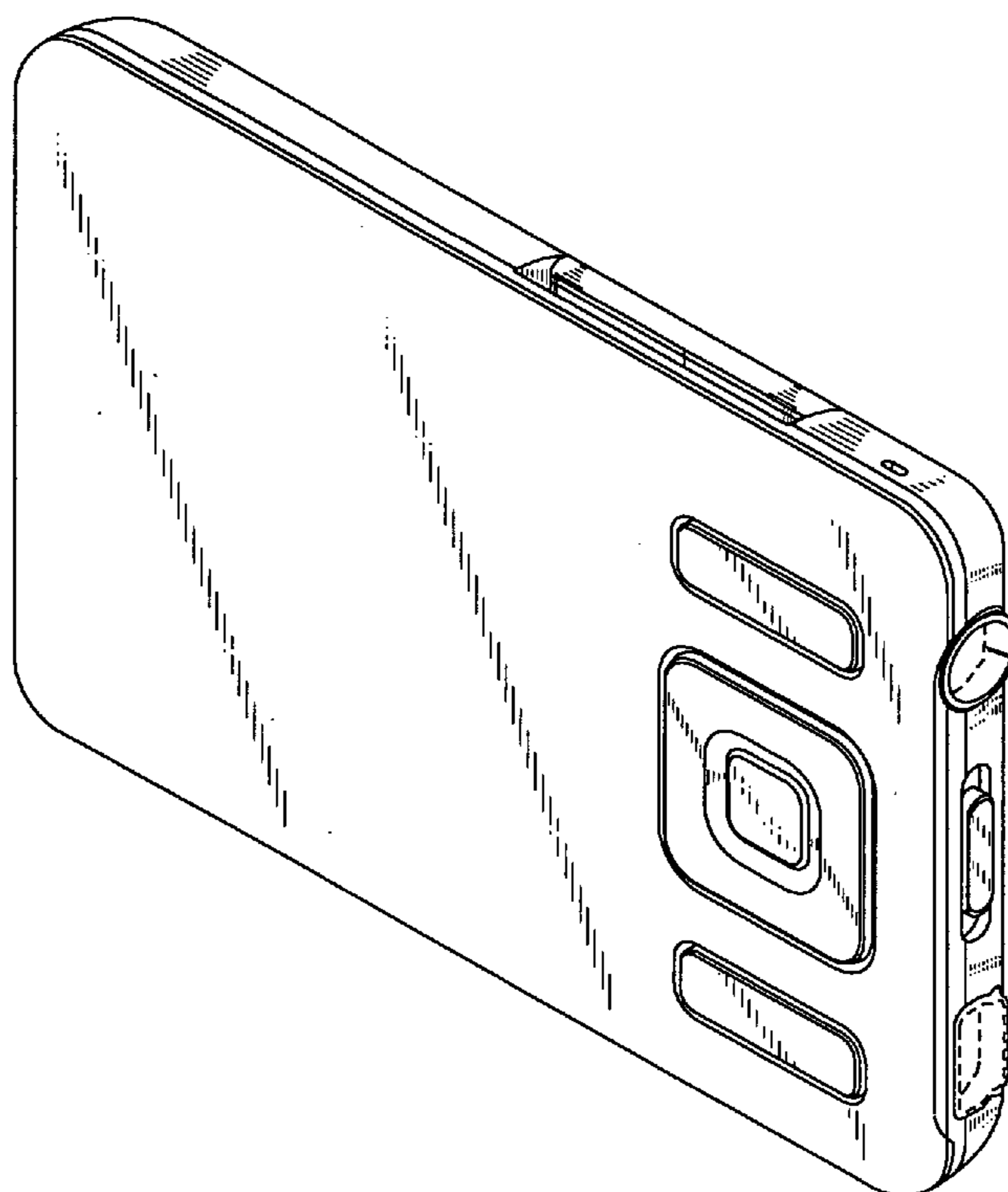
FIG. 5 is a bottom view of the media player shown in FIG. 1;

FIG. 6 is a left side view of the media player shown in FIG. 1; and,

FIG. 7 is a right side view of the media player shown in FIG. 1.

Features illustrated in phantom using dashed lines (broken lines) are shown for exemplary purposes only and form no part of the claimed design.

1 Claim, 4 Drawing Sheets



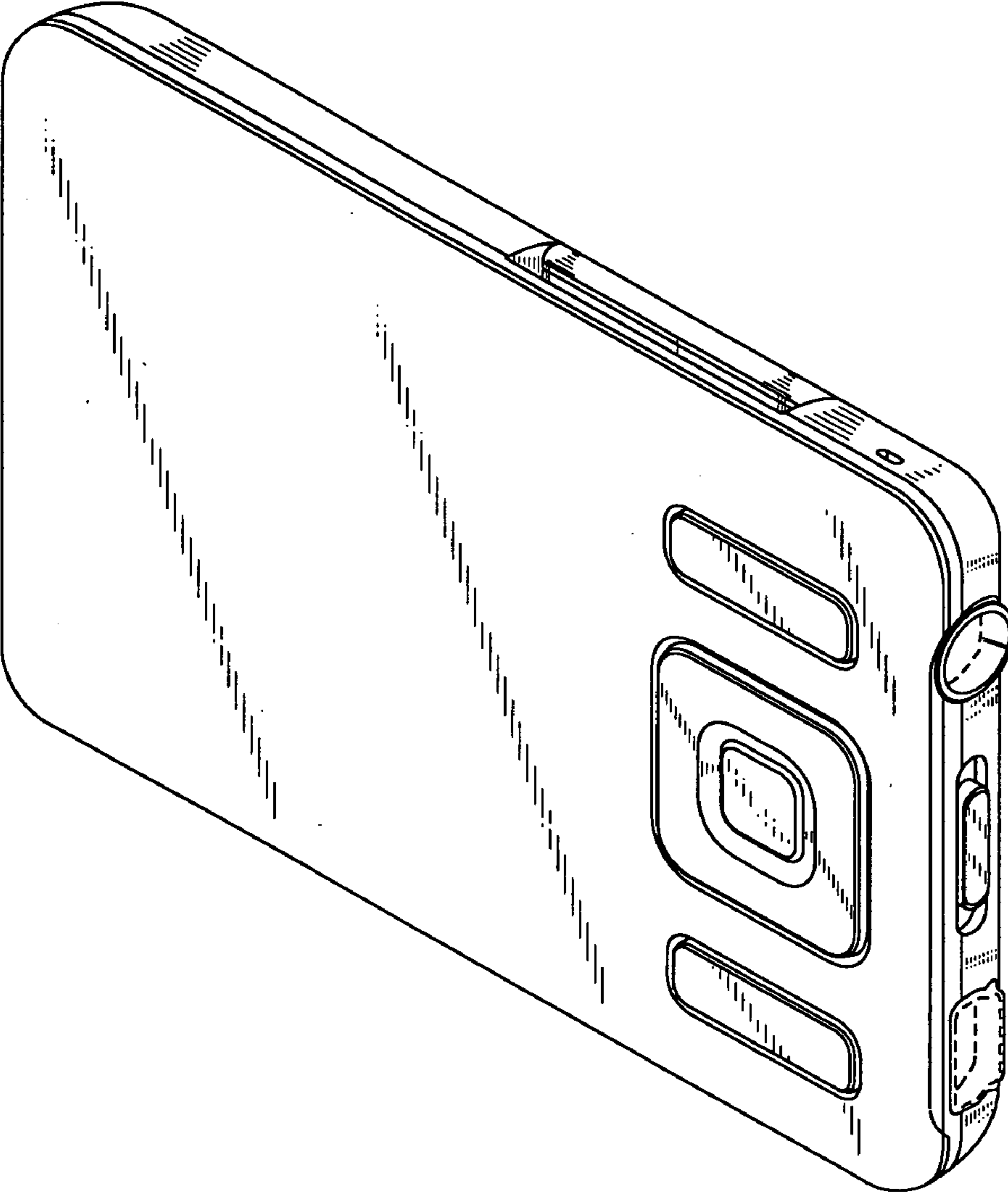


FIG. 1

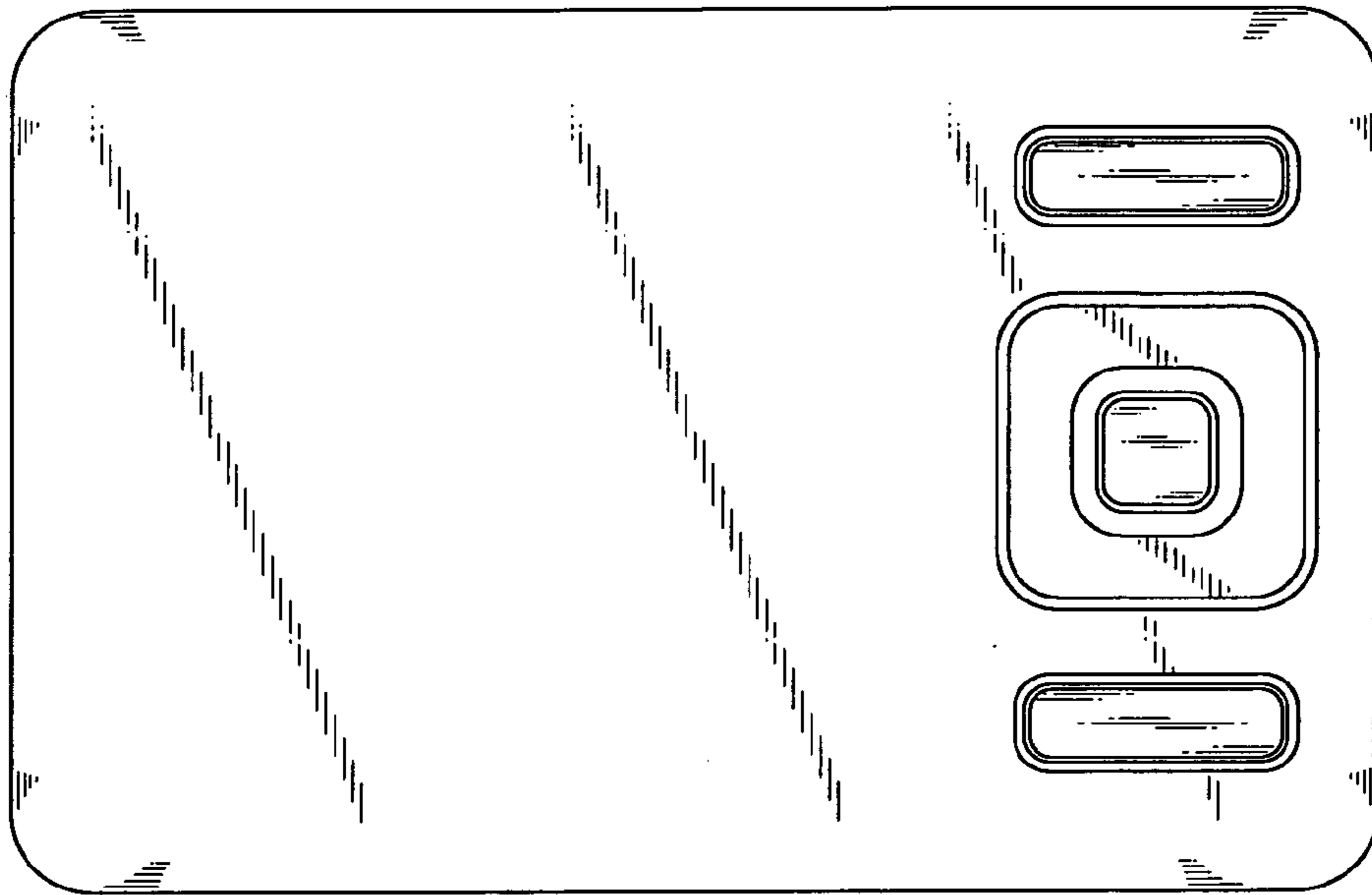


FIG. 2

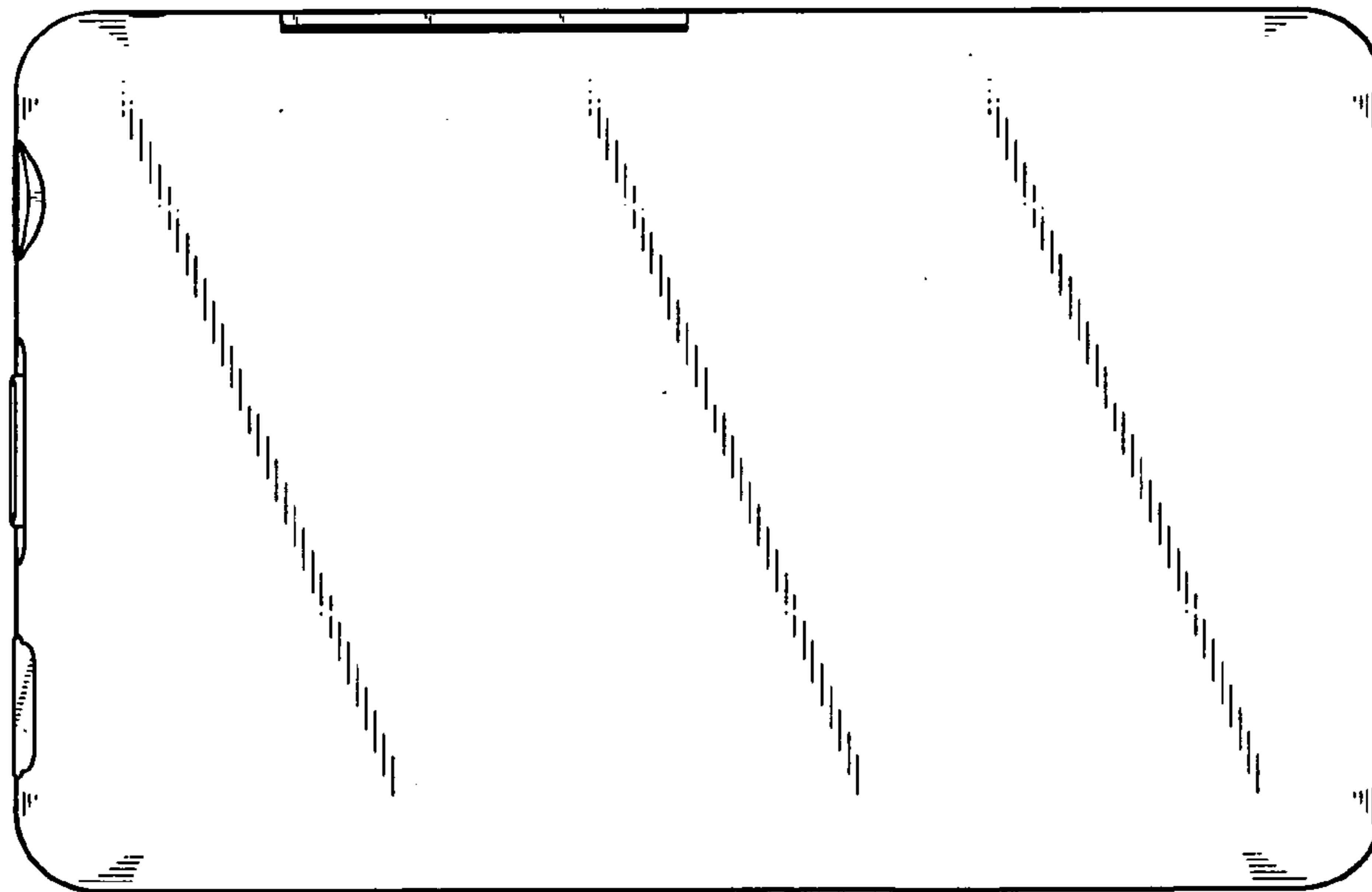


FIG. 3

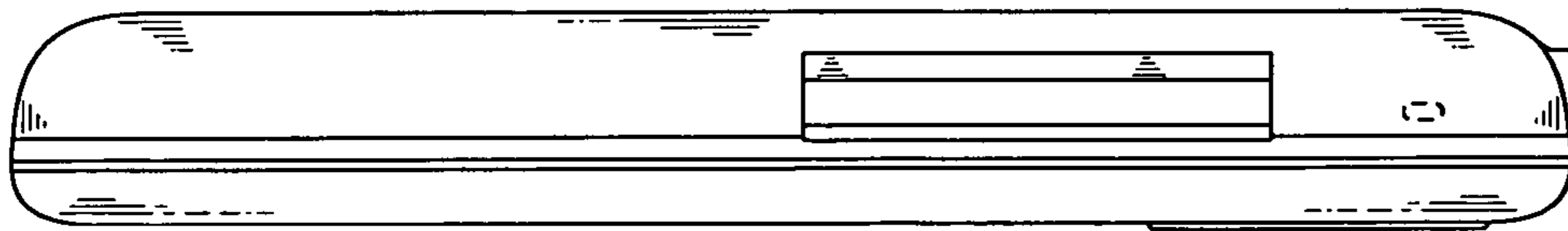


FIG. 4

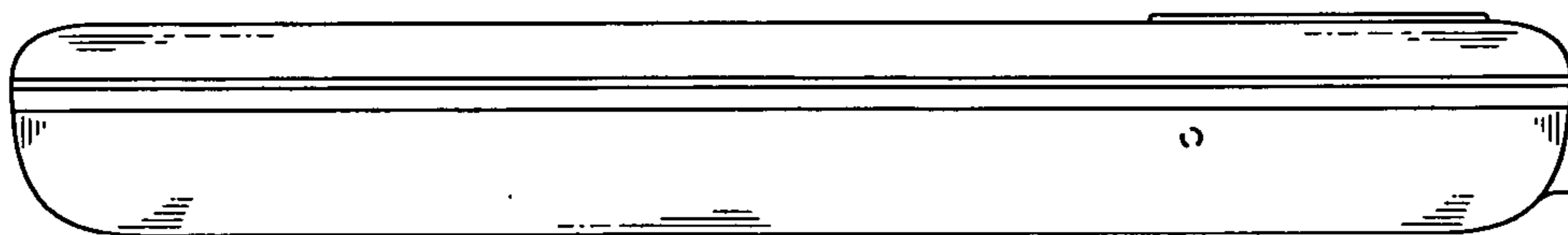


FIG. 5

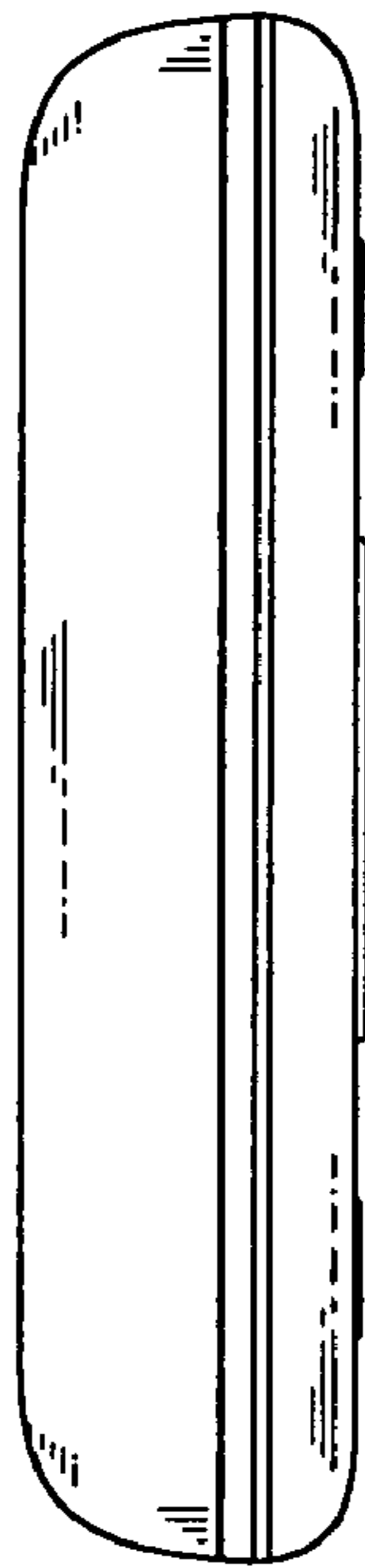


FIG. 6

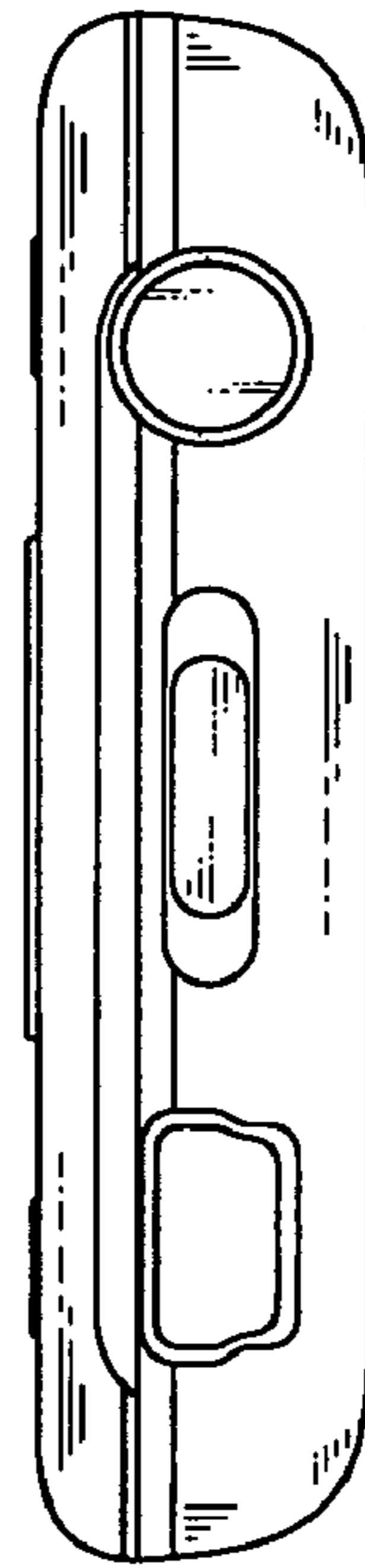


FIG. 7