



US00D561186S

(12) **United States Design Patent**  
**Kawase**

(10) **Patent No.:** **US D561,186 S**  
(45) **Date of Patent:** **\*\* Feb. 5, 2008**

(54) **PORT REPLICATOR**

(75) Inventor: **Atsushi Kawase**, Tokyo (JP)  
(73) Assignee: **Sony Corporation**, Tokyo (JP)  
(\*\*) Term: **14 Years**  
(21) Appl. No.: **29/260,980**  
(22) Filed: **Jun. 6, 2006**  
(30) **Foreign Application Priority Data**

Dec. 28, 2005 (JP) ..... 2005-03861

(51) **LOC (8) Cl.** ..... **14-02**

(52) **U.S. Cl.** ..... **D14/434**

(58) **Field of Classification Search** ..... D14/432-434,  
D14/439, 356; D13/108, 184, 147, 107,  
D13/109, 110, 118-119; 361/686, 681, 801,  
361/724-727, 680, 683, 679, 391-395; 710/303,  
710/304, 2, 310, 313; 70/58, 57, 57.1, 32-34;  
439/638, 341, 372, 142, 248, 347; 248/552,  
248/553; 364/708.1; D18/59

See application file for complete search history.

(56) **References Cited**

**U.S. PATENT DOCUMENTS**

D332,091 S \* 12/1992 Iino ..... D14/434  
5,182,698 A \* 1/1993 Kobayashi et al. .... 361/686  
D356,782 S \* 3/1995 Leman ..... D14/434  
D359,034 S \* 6/1995 Kondo ..... D14/434  
D362,430 S \* 9/1995 Gassett et al. .... D14/433  
5,450,271 A \* 9/1995 Fukushima et al. .... 361/686  
5,461,546 A \* 10/1995 Kobayashi et al. .... 361/796  
D373,569 S \* 9/1996 van Engelen et al. .... D13/147  
D375,295 S \* 11/1996 Derocher et al. .... D14/434  
D394,247 S \* 5/1998 Kondo ..... D14/434  
5,862,036 A \* 1/1999 Lin ..... 361/686  
D412,702 S 8/1999 Goto  
D413,574 S 9/1999 Goto  
6,046,571 A \* 4/2000 Bovio et al. .... 320/113  
6,061,234 A \* 5/2000 Broder et al. .... 361/686  
6,151,218 A \* 11/2000 Piridy et al. .... 361/727  
6,188,572 B1 \* 2/2001 Liao et al. .... 361/686  
D443,860 S 6/2001 Ogasawara  
6,522,533 B1 \* 2/2003 Ikeuchi et al. .... 361/686  
D471,558 S 3/2003 Wada

6,667,881 B2 \* 12/2003 Oross et al. .... 361/686  
6,697,252 B2 \* 2/2004 Maeda ..... 361/686  
6,741,462 B2 \* 5/2004 Kamphuis et al. .... 361/686  
6,757,166 B2 \* 6/2004 DeLuga et al. .... 361/686  
6,768,652 B2 \* 7/2004 DeLuga ..... 361/801  
6,778,385 B2 \* 8/2004 Forlenza et al. .... 361/686  
6,813,145 B2 \* 11/2004 DeLuga ..... 361/679  
D504,893 S \* 5/2005 Araki ..... D14/434  
7,038,908 B2 \* 5/2006 Usui et al. .... 361/686  
7,142,421 B2 \* 11/2006 Cheng et al. .... 361/686  
2002/0159231 A1 \* 10/2002 Nguyen et al. .... 361/686  
2002/0181199 A1 \* 12/2002 Bovio et al. .... 361/686  
2003/0147209 A1 \* 8/2003 Oross et al. .... 361/686  
2003/0198011 A1 \* 10/2003 Tsai ..... 361/683  
2003/0202323 A1 \* 10/2003 Maeda ..... 361/686  
2004/0012922 A1 \* 1/2004 Kamphuis et al. .... 361/686

**OTHER PUBLICATIONS**

Web page "PCGA-PRGR2" <http://www.ecat.sony.co.jp/computer/vaio/acc/index.cfm?PD=9757>, 1 sheet, Sony (May 2006).

Web page "74P6733" [http://www6.yodobashi.co.jp/enjoy/more/i/cat\\_8427287\\_58\\_9457961/6940148.html](http://www6.yodobashi.co.jp/enjoy/more/i/cat_8427287_58_9457961/6940148.html), 1 sheet, Yodobashi (May 2006).

U.S. Appl. No. 29/235,030, filed Jul. 27, 2005.

\* cited by examiner

*Primary Examiner*—Melanie Tung

*Assistant Examiner*—Susan Moon Lee

(74) *Attorney, Agent, or Firm*—Rader, Fishman & Grauer, PLLC

(57) **CLAIM**

The ornamental design for a port replicator, as shown.

**DESCRIPTION**

FIG. 1 is a perspective view of a port replicator showing my new design;

FIG. 2 is a front elevational view thereof;

FIG. 3 is a rear elevational view thereof;

FIG. 4 is a left side elevational view thereof;

FIG. 5 is a right side elevational view thereof;

FIG. 6 is a top plan view thereof; and,

FIG. 7 is a bottom plan view thereof.

**1 Claim, 7 Drawing Sheets**

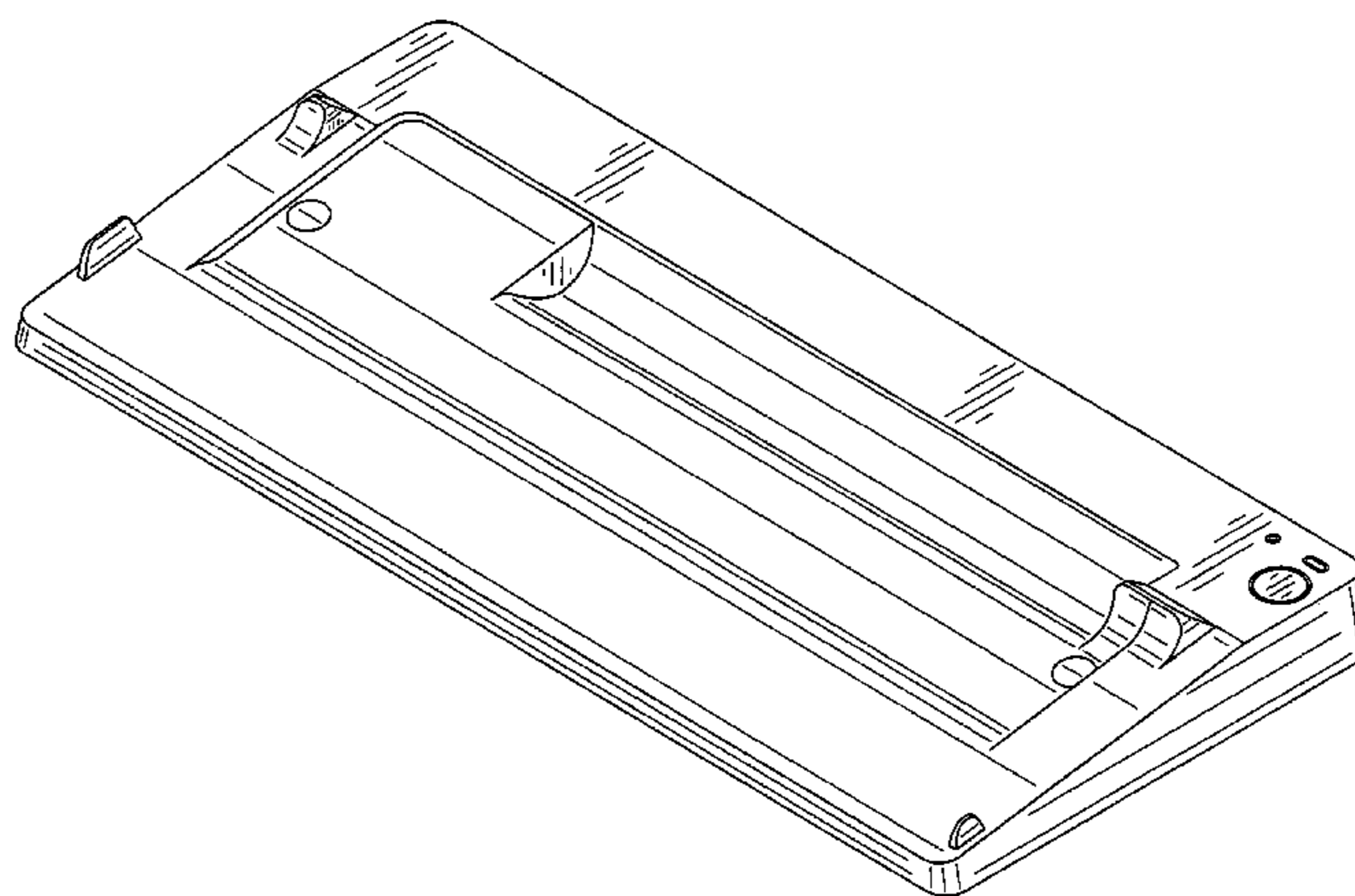


Fig. 1

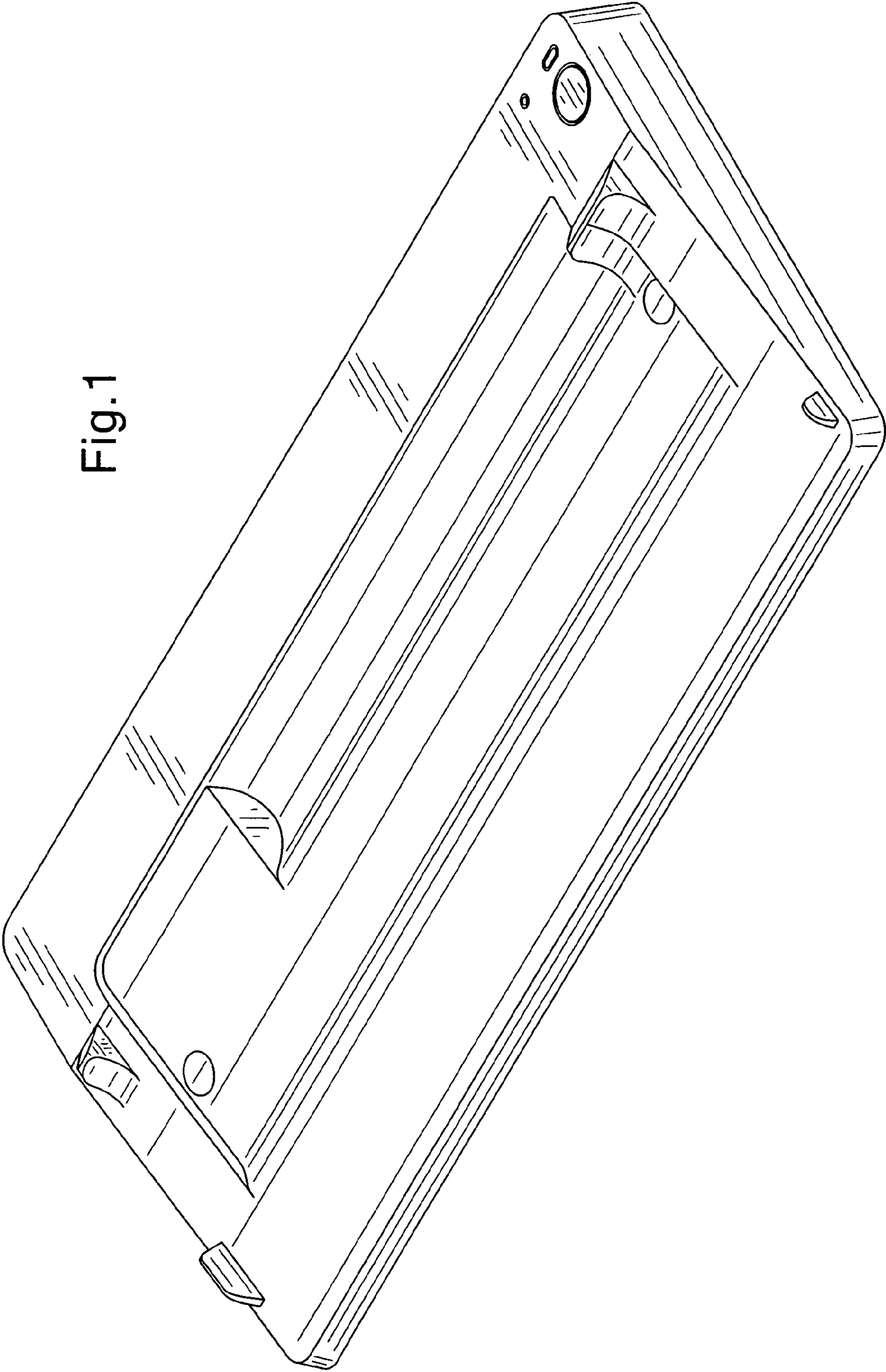


Fig. 2

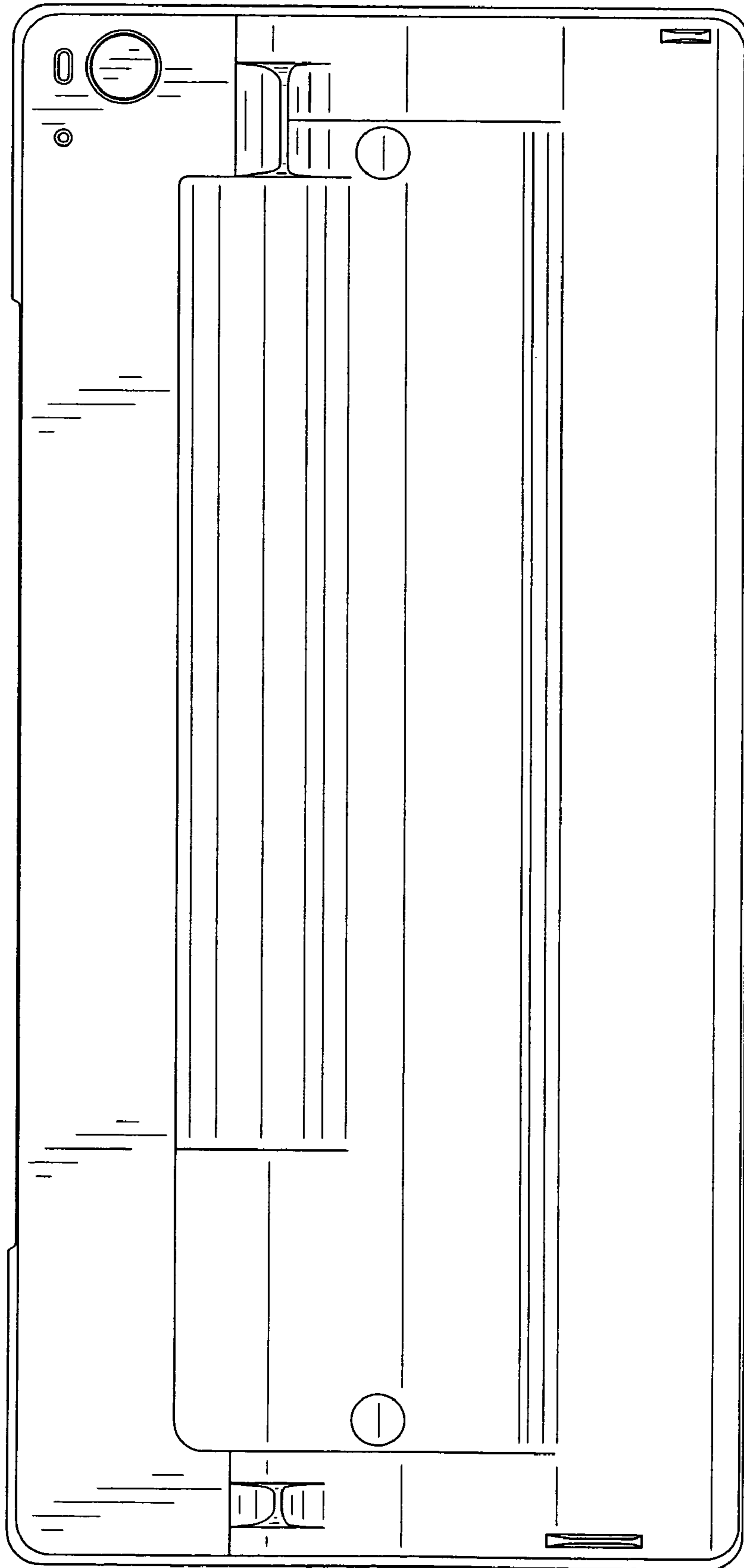


Fig. 3

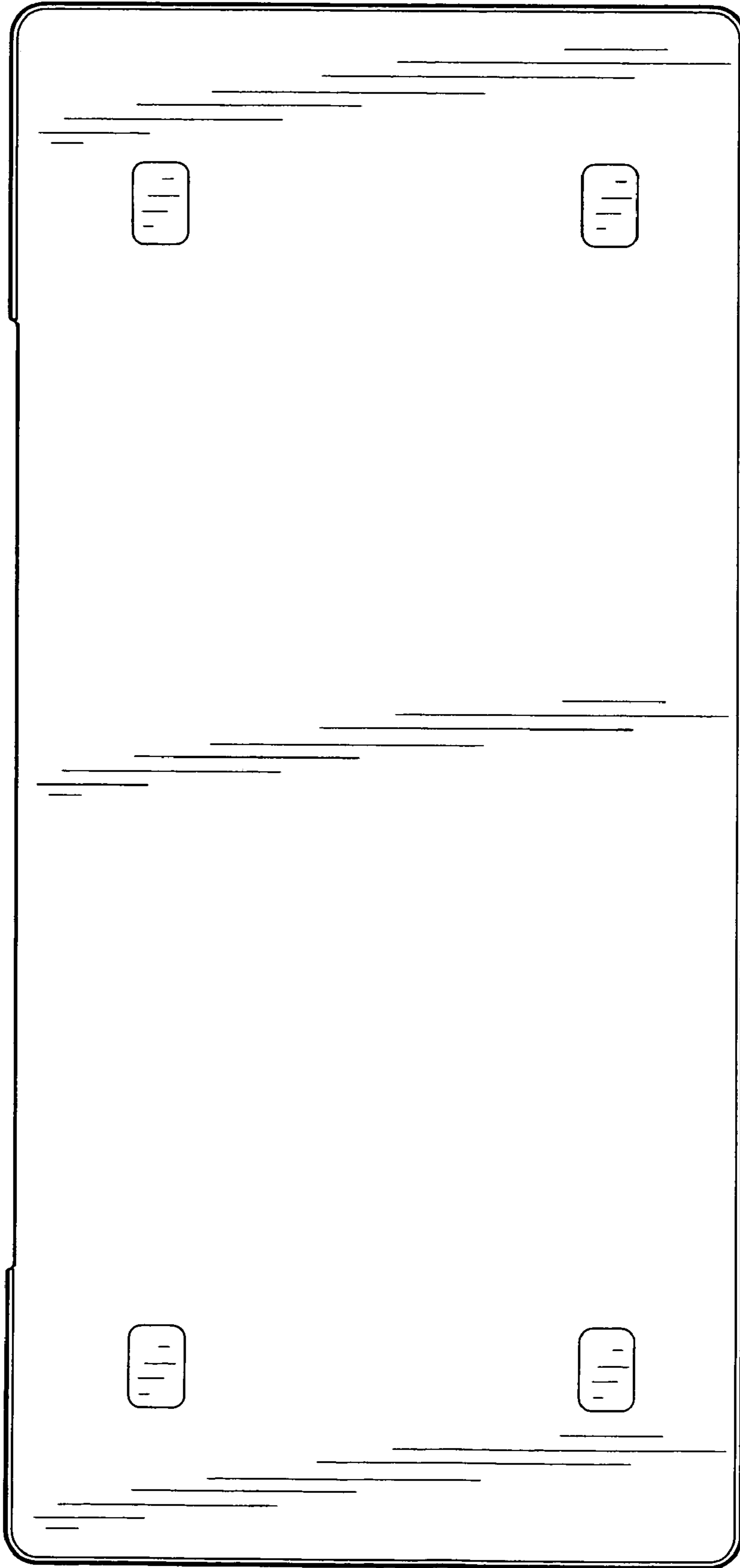


Fig. 4

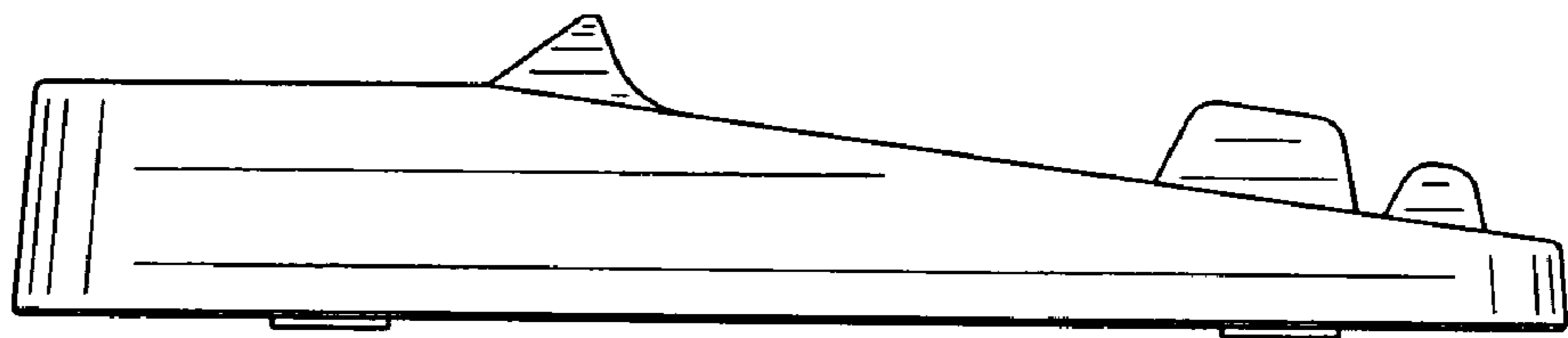


Fig. 5

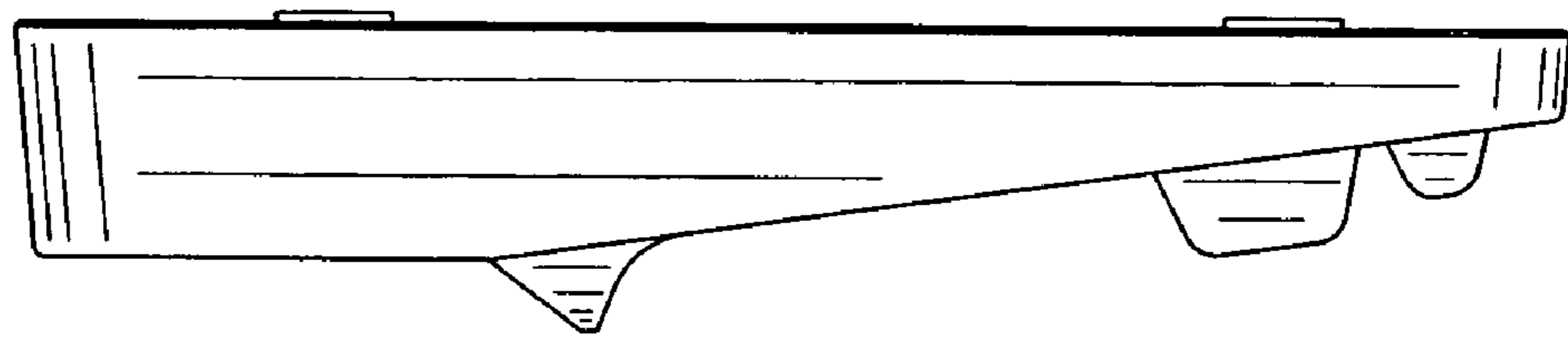


Fig.6

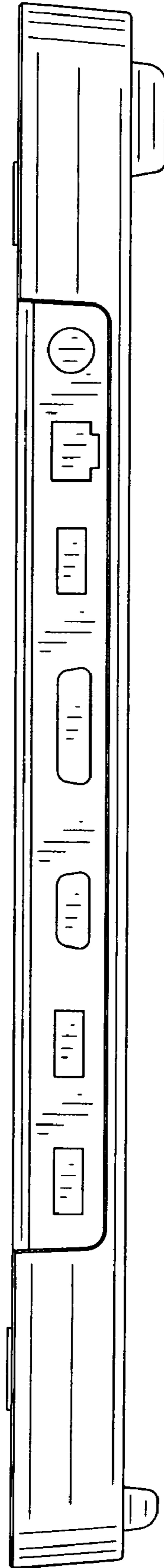


Fig. 7

