



US00D561183S

(12) **United States Design Patent**
Lee et al.

(10) **Patent No.:** **US D561,183 S**
(45) **Date of Patent:** **** Feb. 5, 2008**

(54) **LAPTOP COMPUTER**

(75) Inventors: **Heechang Lee**, Seoul (KR); **Jiyeon Lee**, Kyeonggido (KR); **Byungmu Huh**, Seoul (KR)

(73) Assignee: **LG Electronics Inc.**, Seoul (KR)

(**) Term: **14 Years**

(21) Appl. No.: **29/254,586**

(22) Filed: **Feb. 27, 2006**

(30) **Foreign Application Priority Data**

Aug. 31, 2005 (KR) 30-2005-0029440

(51) **LOC (8) Cl.** **14-02**

(52) **U.S. Cl.** **D14/318**

(58) **Field of Classification Search** D14/315-327;
D18/1, 2, 7, 11; 235/145 A, 145 R; 341/22,
341/23; 345/156, 157, 168, 169, 173; 361/680-686;
348/373; 715/783

See application file for complete search history.

(56) **References Cited**

U.S. PATENT DOCUMENTS

D391,927 S * 3/1998 Faranda et al. D14/318
5,793,355 A * 8/1998 Youens 345/157
6,067,224 A * 5/2000 Nobuchi 361/683

D431,821 S * 10/2000 Mizuno D14/318
6,876,546 B2 * 4/2005 Tsao 361/683
D512,997 S * 12/2005 Lee et al. D14/318
2005/0018396 A1 * 1/2005 Nakajima et al. 361/683
2005/0041378 A1 * 2/2005 Hamada et al. 361/680

* cited by examiner

Primary Examiner—Freda S. Nunn

(74) *Attorney, Agent, or Firm*—Birch, Stewart, Kolasch & Birch, LLP

(57) **CLAIM**

The ornamental design for a laptop computer, as shown and described.

DESCRIPTION

FIG. 1 is a front, right perspective view of the laptop computer showing our new design;

FIG. 2 is a front view thereof;

FIG. 3 is a rear view thereof;

FIG. 4 is a left side view thereof;

FIG. 5 is a right side view thereof;

FIG. 6 is a top view thereof;

FIG. 7 is a bottom view thereof; and,

FIG. 8 is a front view thereof in the open position.

1 Claim, 4 Drawing Sheets

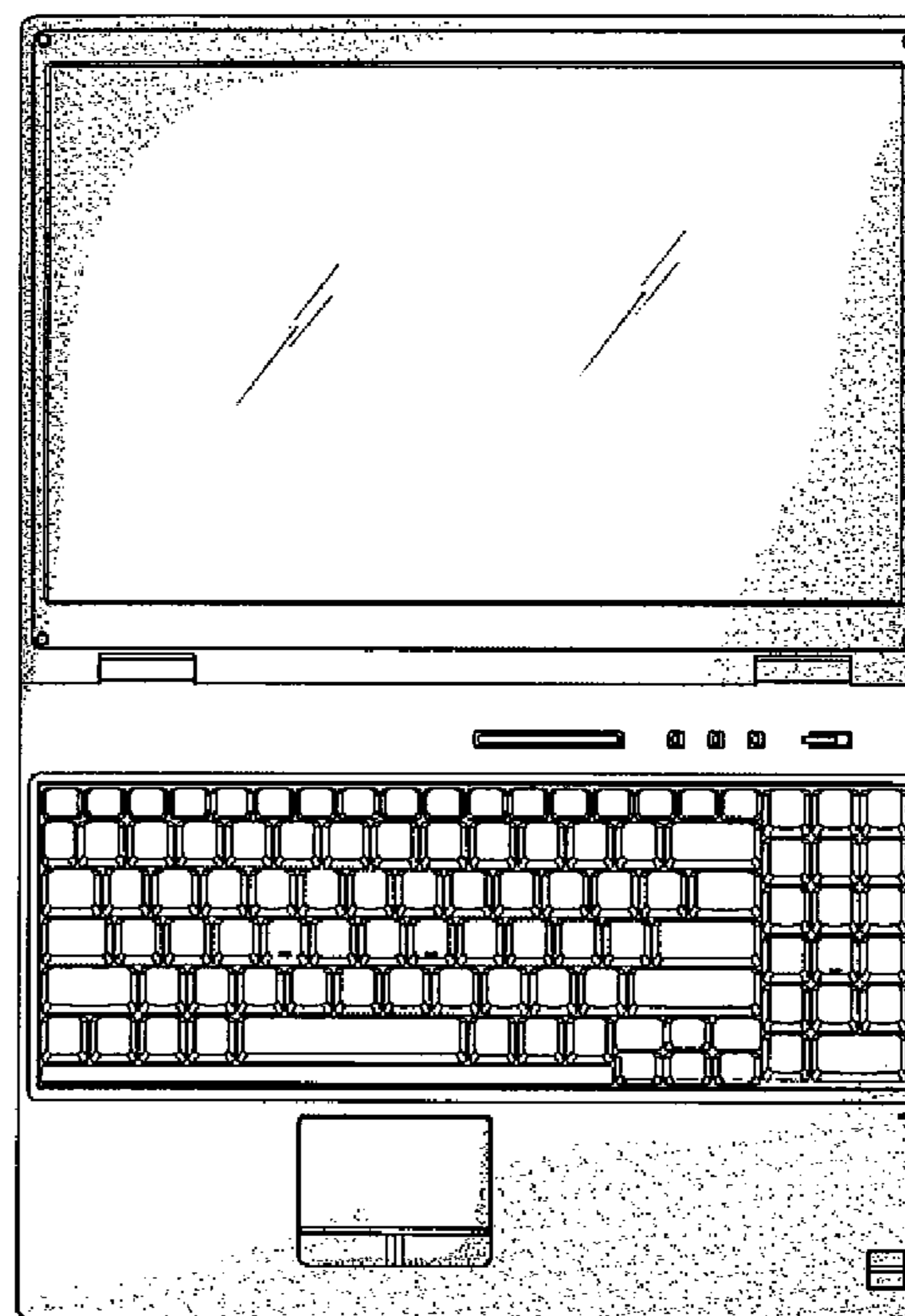
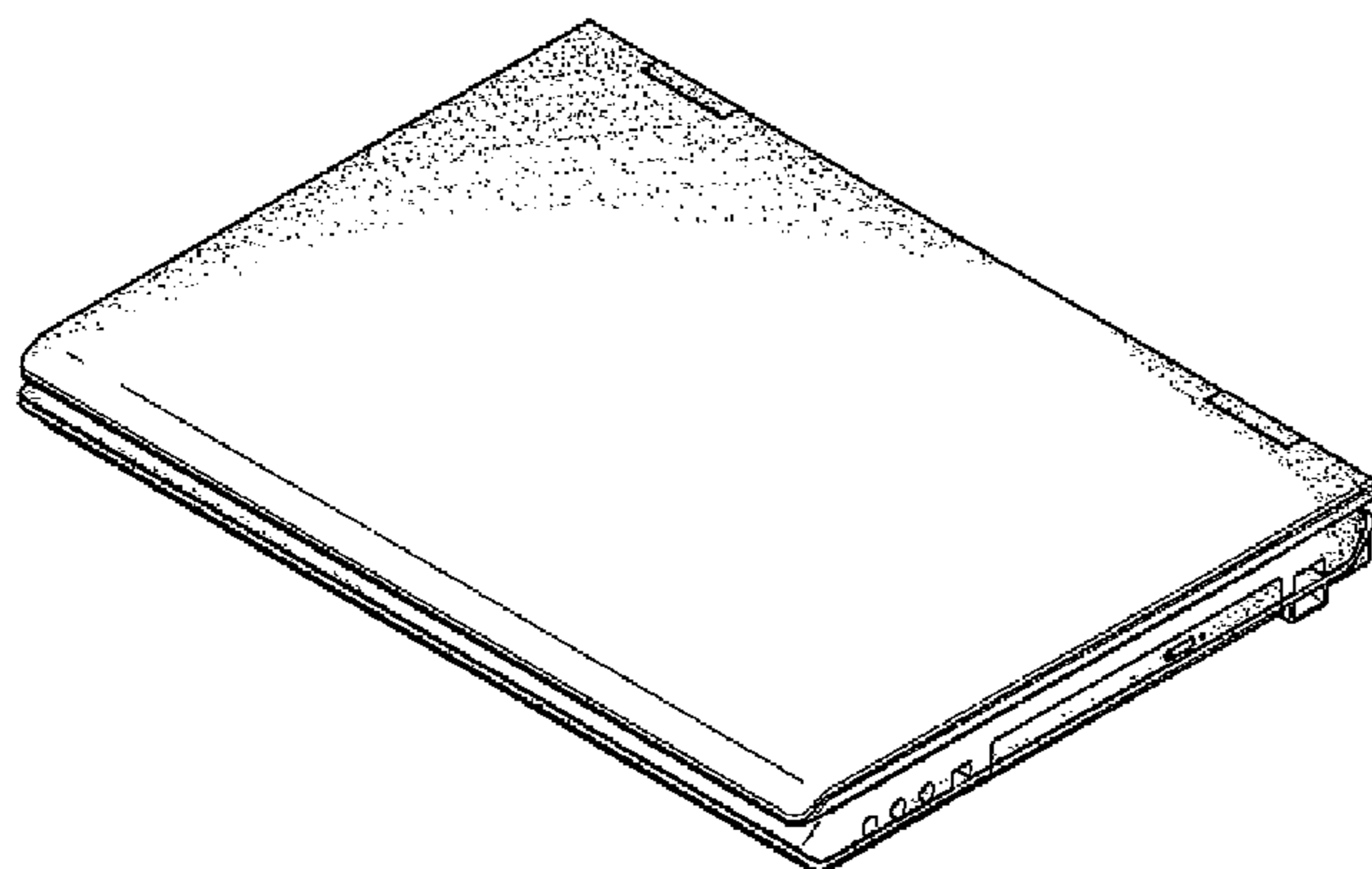


FIG. 1

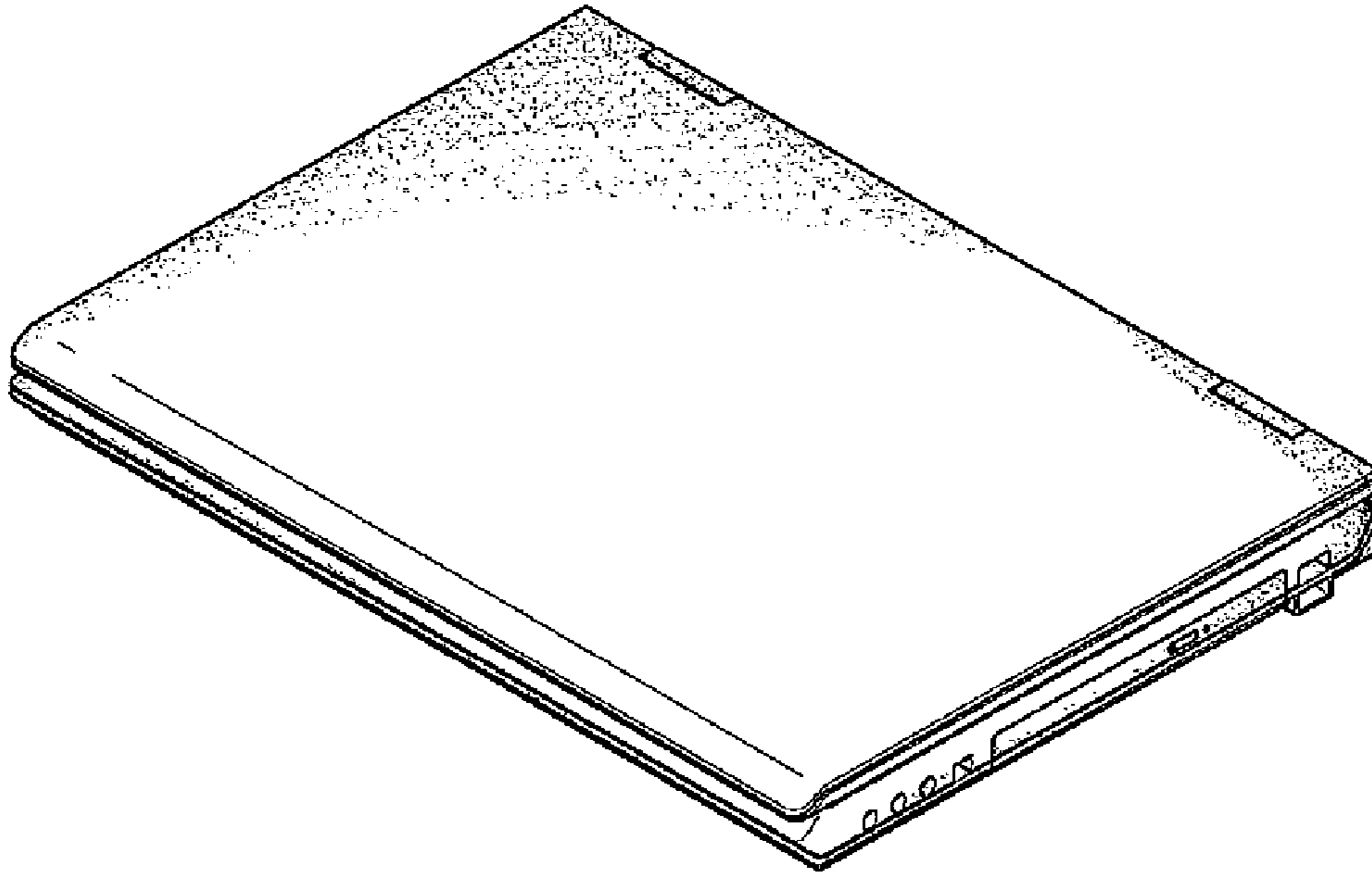


FIG. 2

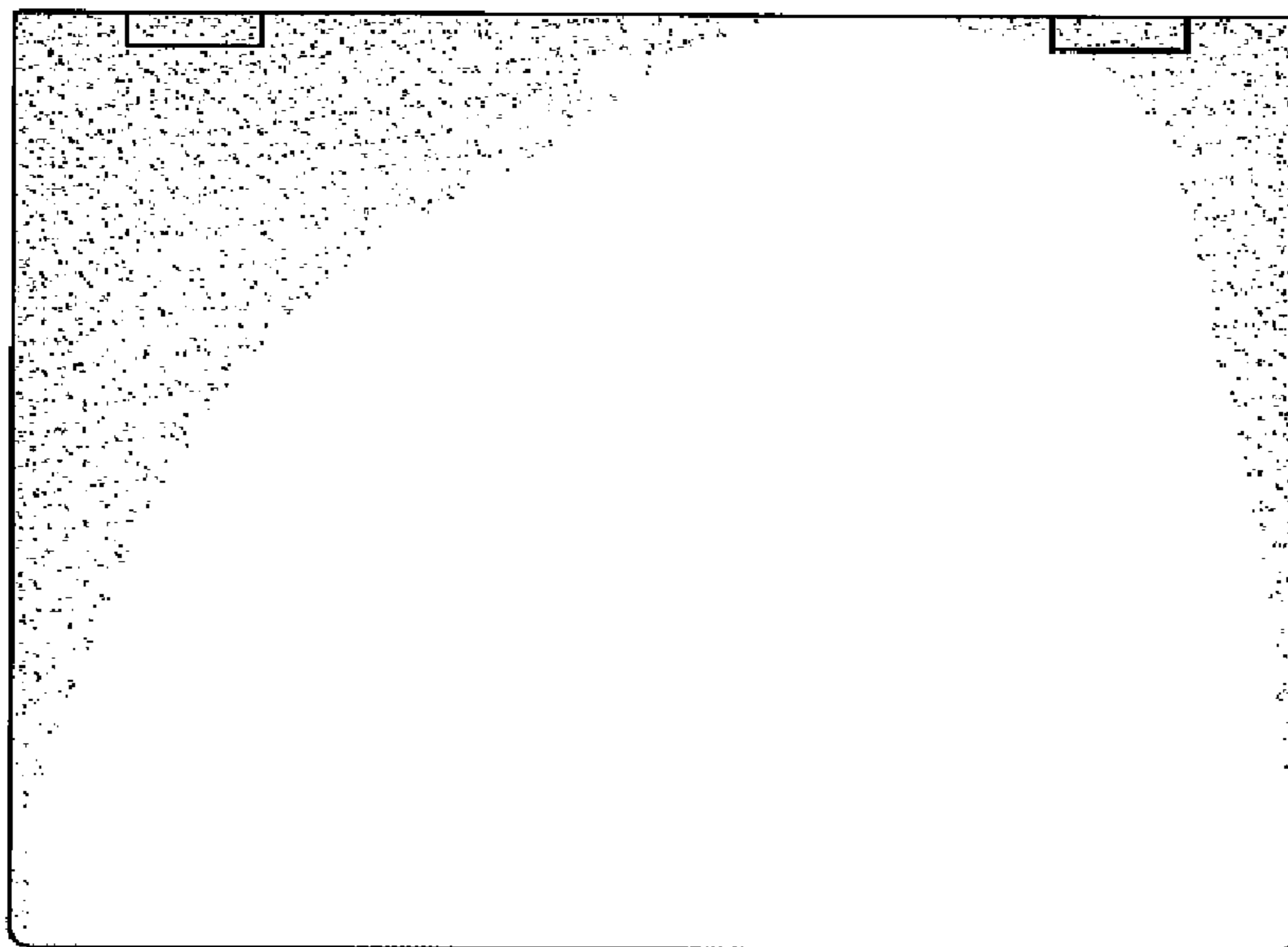


FIG. 3

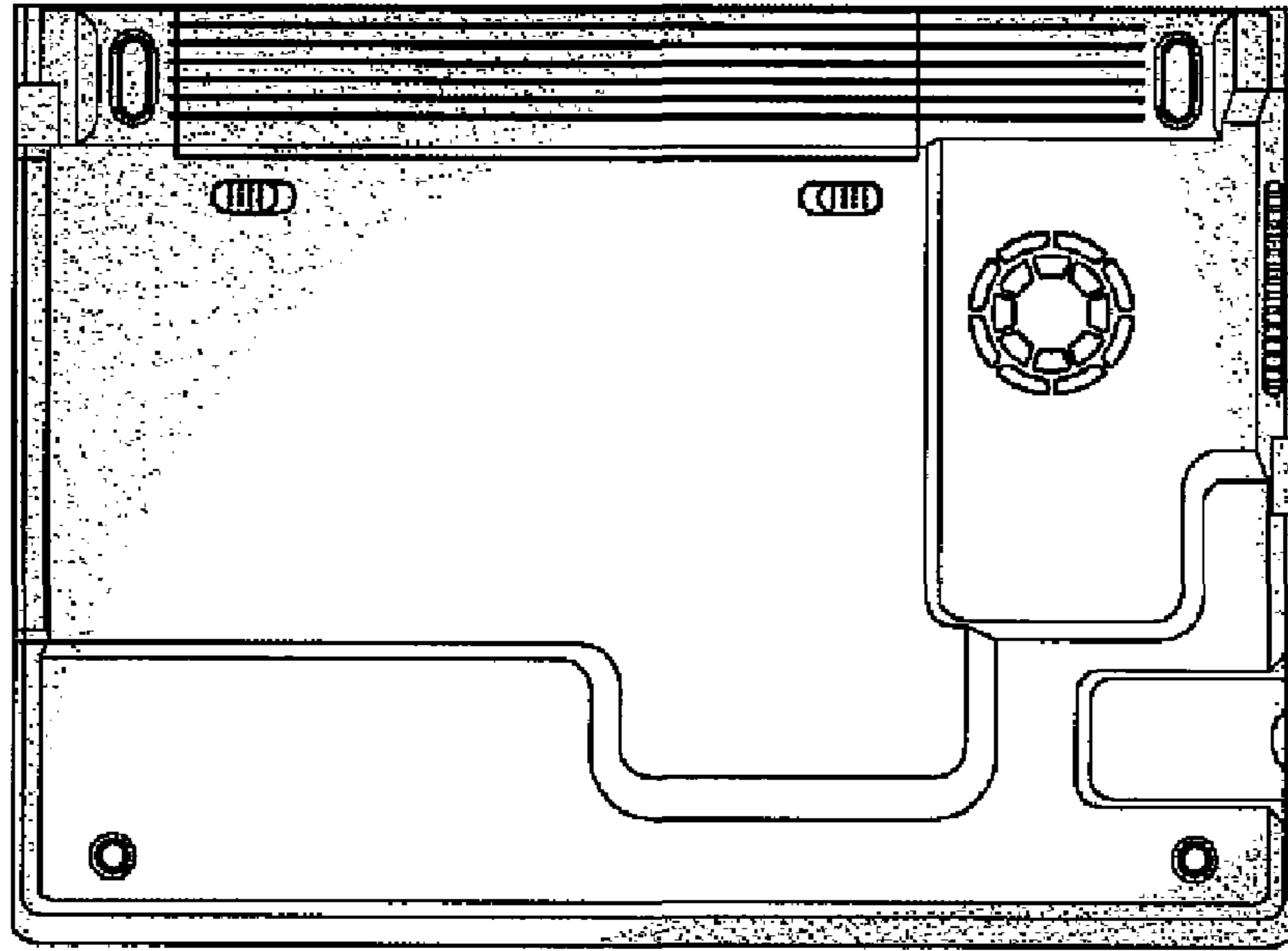


FIG. 4



FIG. 5



FIG. 6

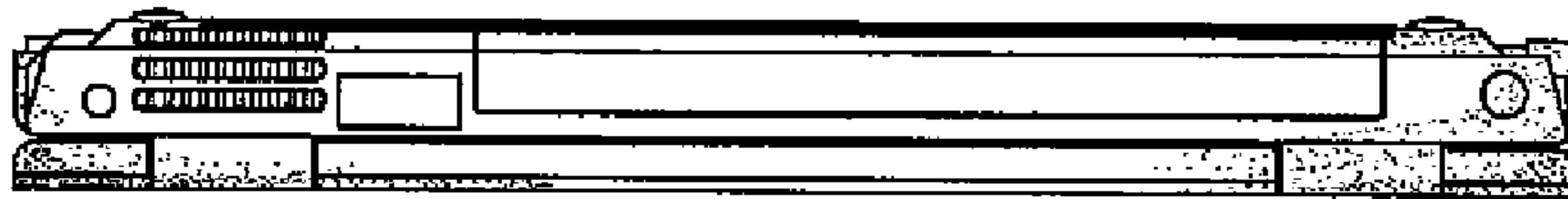


FIG. 7

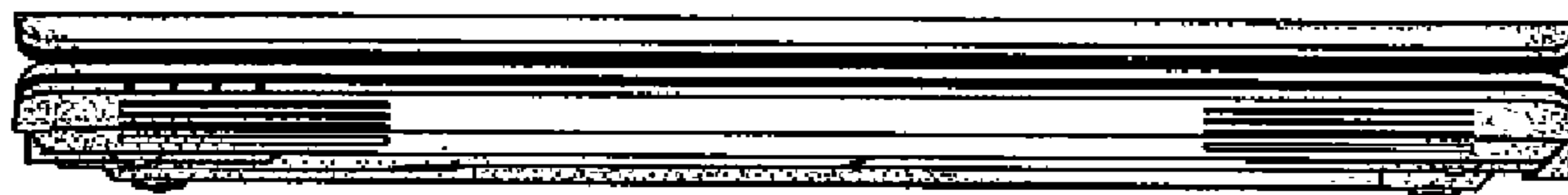


FIG. 8

