



US00D561182S

(12) **United States Design Patent**
Jenkins et al.

(10) **Patent No.: US D561,182 S**

(45) **Date of Patent: ** Feb. 5, 2008**

(54) **CRADLE FOR A MOBILE DEVICE**

(75) Inventors: **Ian Jenkins**, Stony Brook, NY (US);
Ben Michaeli, South Setauket, NY
(US); **Brett Christie**, Brooklyn, NY
(US)

(73) Assignee: **Symbol Technologies, Inc.**, Holtsville,
NY (US)

(**) Term: **14 Years**

(21) Appl. No.: **29/280,454**

(22) Filed: **May 29, 2007**

(51) **LOC (8) Cl. 14-03**

(52) **U.S. Cl. D14/253; D14/149**

(58) **Field of Classification Search** D14/125-130,
D14/140-142, 144, 146-151, 240, 243, 248,
D14/250-253, 329-330, 434, 496; D13/107-108;
320/110-111, 113-115; 348/14.01-14.06;
379/88.17, 90.01, 93.17, 419-420.04, 428.01-428.04,
379/434-436, 440, 446, 454-455; 455/550.1-90.3;
D21/405, 517; 439/299

See application file for complete search history.

(56) **References Cited**

U.S. PATENT DOCUMENTS

D275,482 S *	9/1984	Coons et al.	D14/253
D324,370 S *	3/1992	Lay et al.	D13/108
D350,540 S *	9/1994	Hyvonen	D14/149
D354,287 S *	1/1995	Tokiyama	D14/253
D358,821 S *	5/1995	Hellier et al.	D14/253
D369,344 S *	4/1996	Lindeman et al.	D13/108
D395,280 S *	6/1998	Phelps	D13/108

5,946,637 A *	8/1999	Umbach et al.	455/573
D426,808 S *	6/2000	Hsiao	D13/107
D429,212 S *	8/2000	Oden et al.	D13/108
6,130,521 A *	10/2000	Collins et al.	320/115
D469,073 S *	1/2003	Muenschler et al.	D14/149
D501,191 S *	1/2005	Siebke	D14/149

FOREIGN PATENT DOCUMENTS

WO DM/050606 * 11/1999

* cited by examiner

Primary Examiner—Charles A. Rademaker

Assistant Examiner—Carla Jobe Wright

(74) *Attorney, Agent, or Firm*—Fay Kaplun & Marcin, LLP.

(57) **CLAIM**

The ornamental design for a cradle for a mobile device, as shown and described.

DESCRIPTION

FIG. 1 is a perspective view of a cradle for a mobile device showing our new design;

FIG. 2 is a top view thereof;

FIG. 3 is a front view thereof;

FIG. 4 is a rear view thereof;

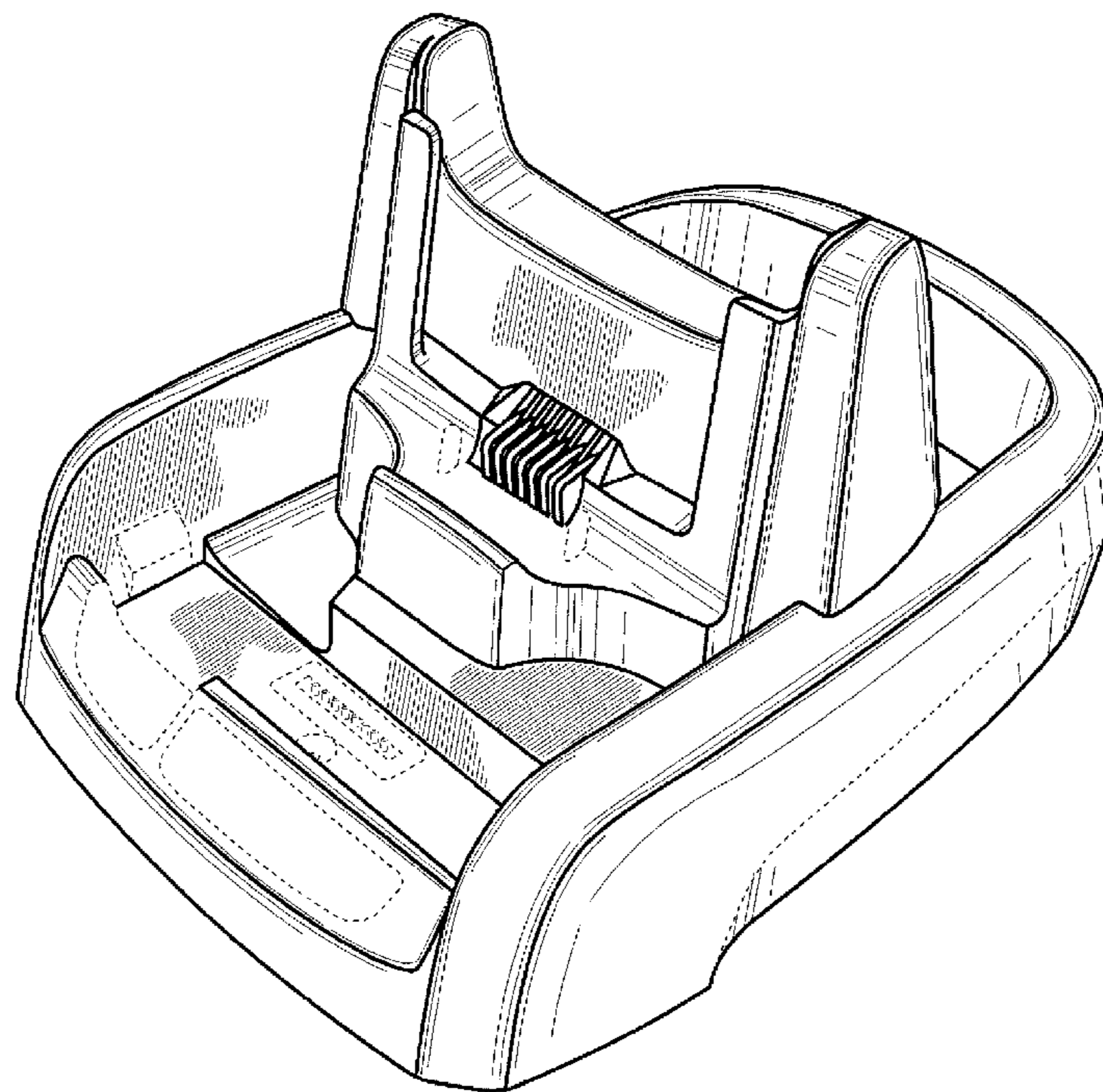
FIG. 5 is a bottom view thereof;

FIG. 6 is a right side view thereof; and,

FIG. 7 is a left side view thereof.

The broken line showing of environmental structures is for illustrative purposes only and forms no part of the claimed design.

1 Claim, 5 Drawing Sheets



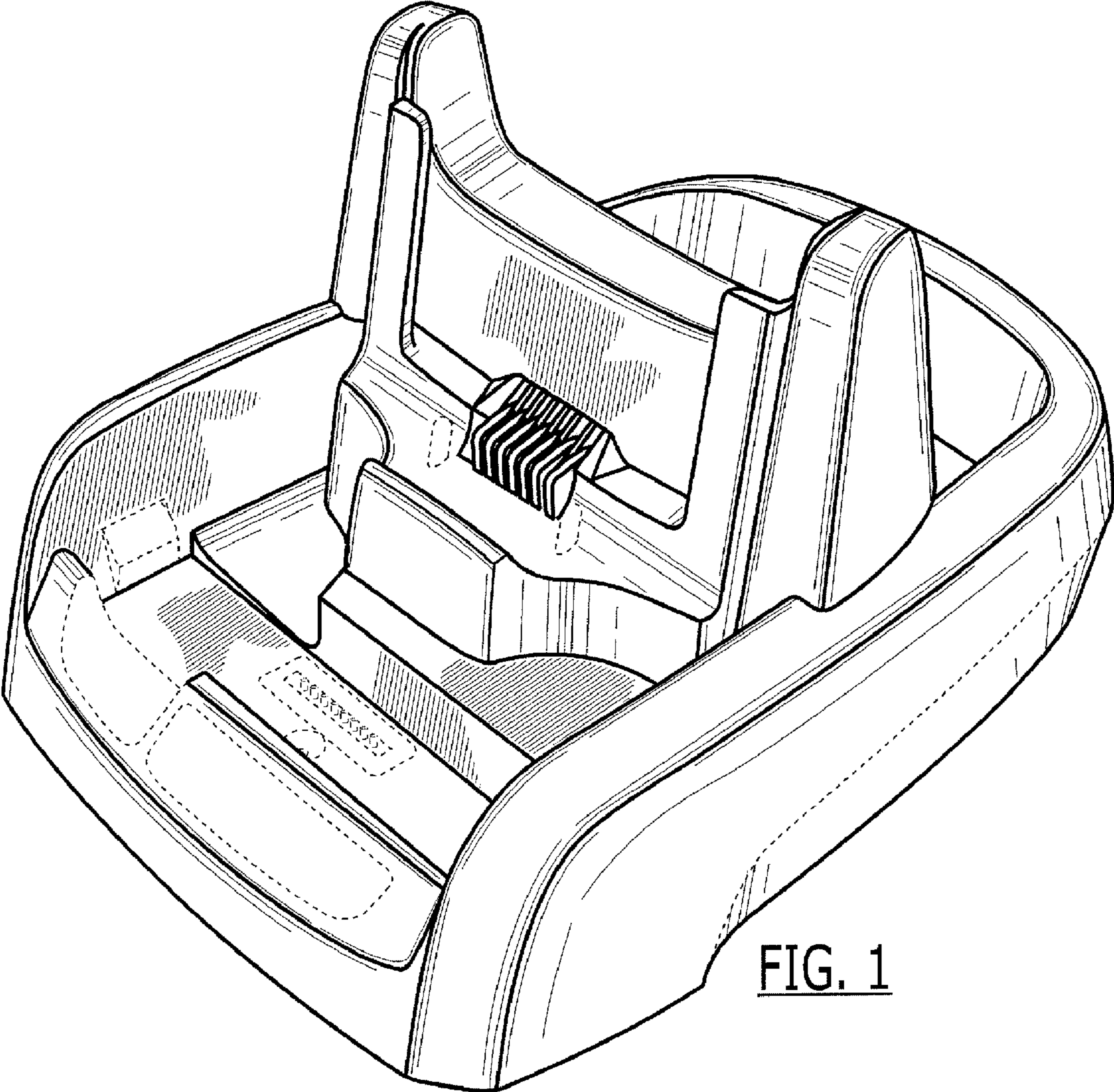


FIG. 1

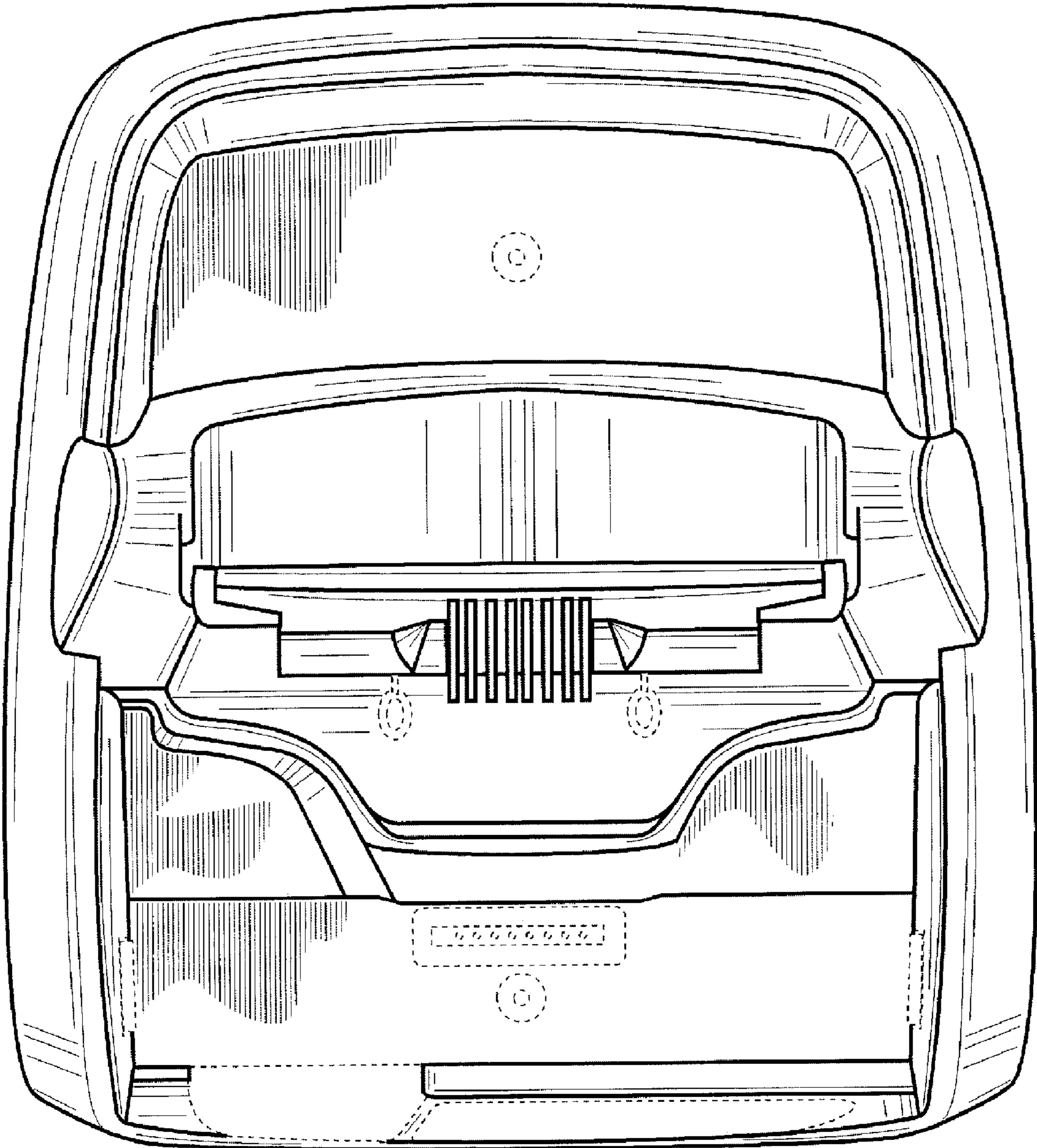


FIG. 2

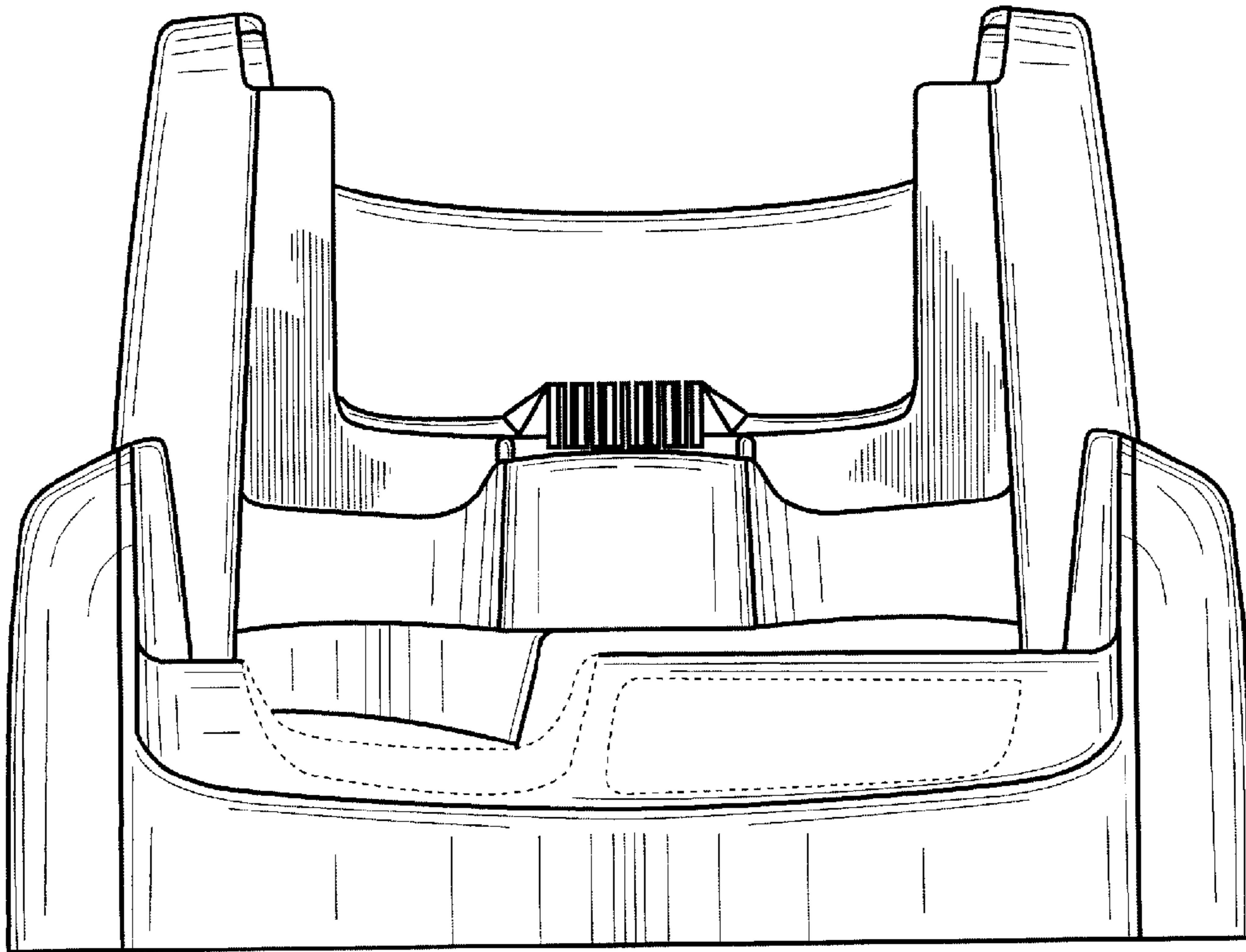


FIG. 3

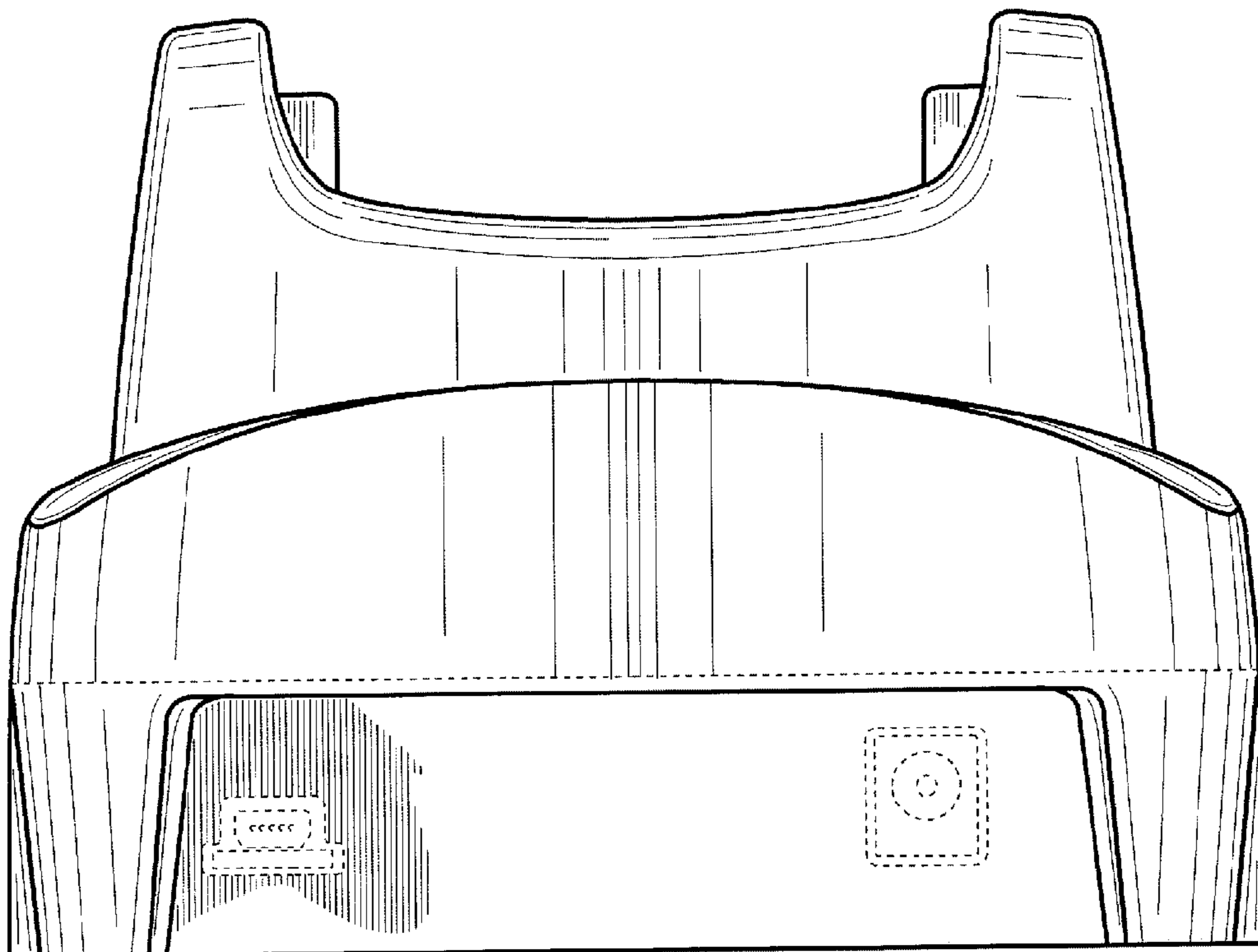


FIG. 4

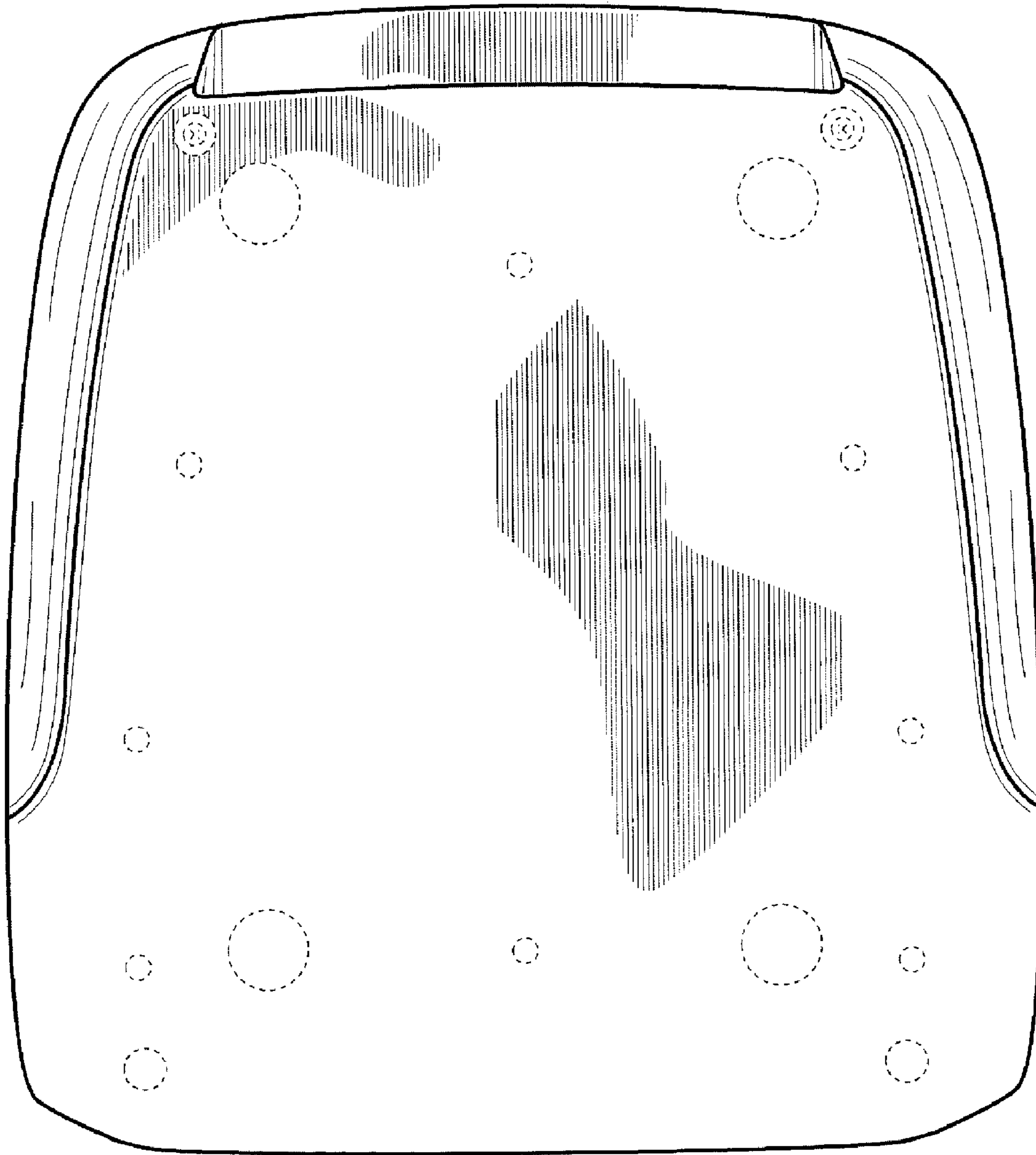


FIG. 5

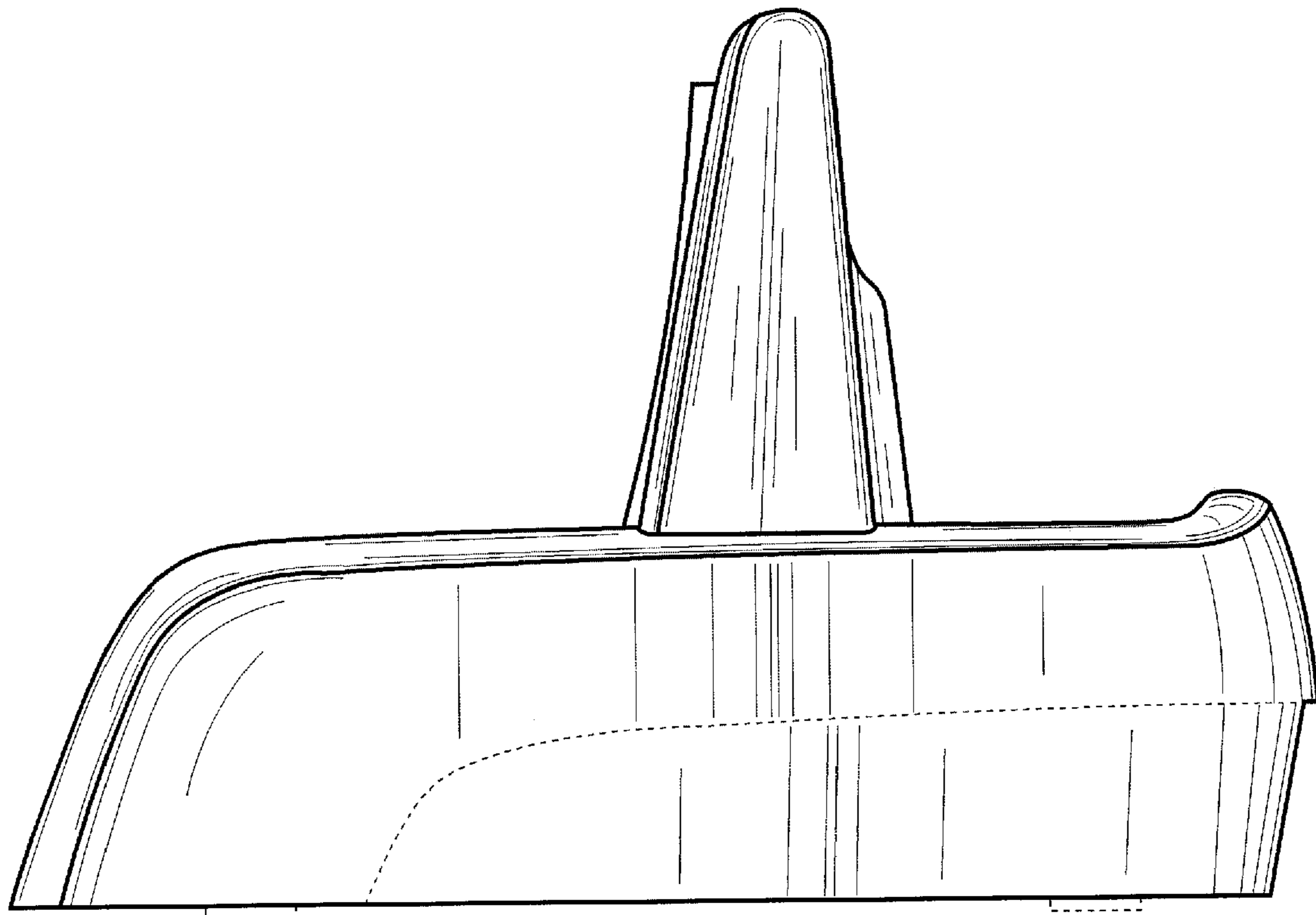


FIG. 6

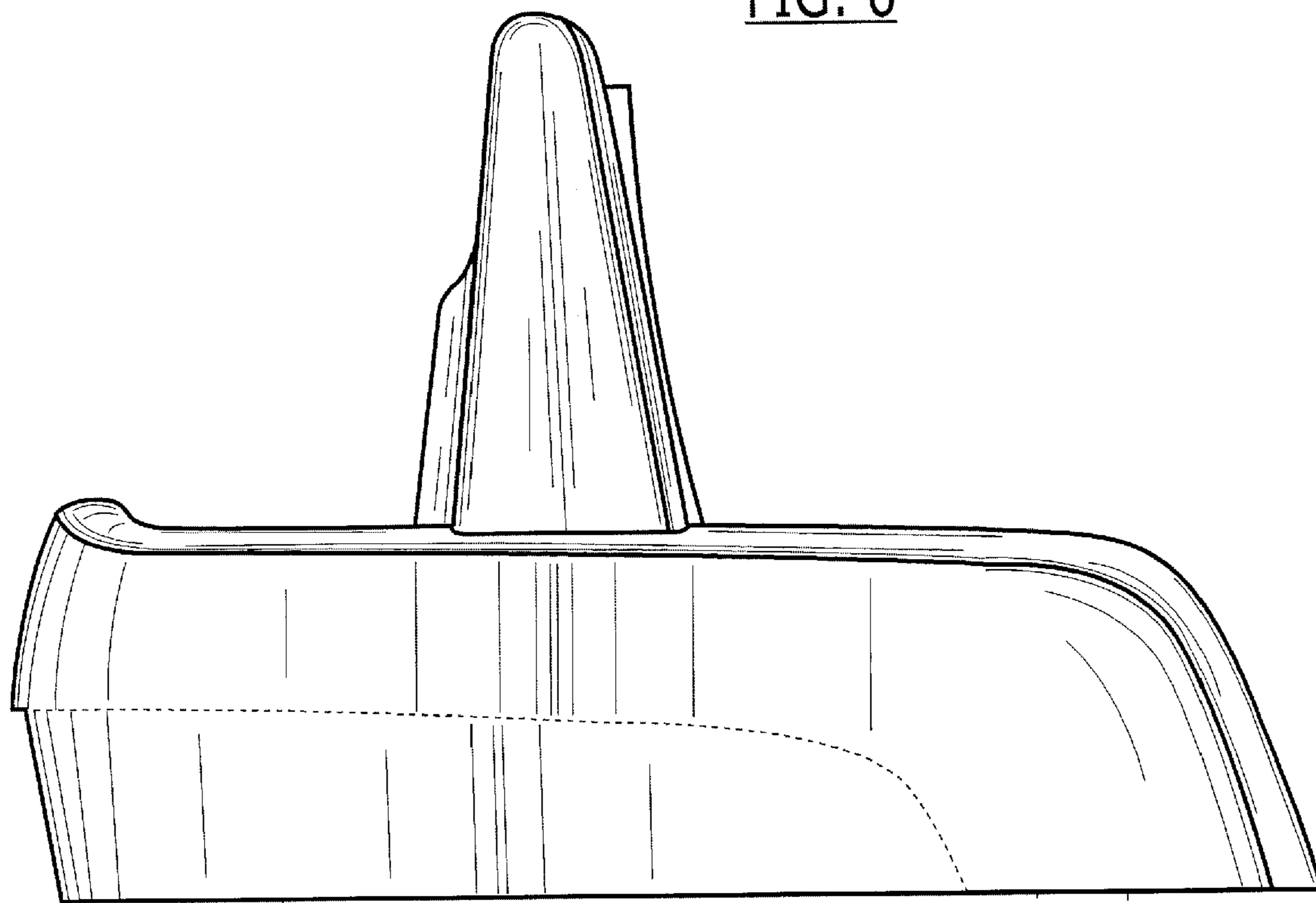


FIG. 7