



US00D561180S

(12) **United States Design Patent**
Aitchison

(10) **Patent No.:** **US D561,180 S**

(45) **Date of Patent:** **** Feb. 5, 2008**

(54) **MICROPHONE CLAMP**

(75) Inventor: **Robert Aitchison**, Bristol (GB)

(73) Assignee: **Explora, Ltd.**, Bristol (GB)

(**) Term: **14 Years**

(21) Appl. No.: **29/268,045**

(22) Filed: **Oct. 27, 2006**

(30) **Foreign Application Priority Data**

Apr. 27, 2006 (EM) 000523253

(51) **LOC (8) Cl.** **14-01**

(52) **U.S. Cl.** **D14/229**

(58) **Field of Classification Search** D14/224,
D14/227, 228, 229; D6/455; D24/128; D17/22;
D8/396; 248/60, 122.1, 178.1; 359/569;
381/361, 363, 368
See application file for complete search history.

(56) **References Cited**

U.S. PATENT DOCUMENTS

892,105 A * 6/1908 White 248/60
2,776,462 A * 1/1957 Burroughs 248/122.1
D183,114 S * 7/1958 Burroughs D14/228
3,153,123 A * 10/1964 Harman 381/363
4,047,684 A * 9/1977 Kobayashi 248/122.1
D278,233 S * 4/1985 Hardy D14/229

D296,099 S * 6/1988 Kubota D14/227
D305,026 S * 12/1989 Wolf D14/229
D326,969 S * 6/1992 Eason et al. D6/455
5,154,381 A * 10/1992 Malinao 248/178.1
5,449,138 A * 9/1995 Ciancio 248/123.2
6,394,401 B1 * 5/2002 St. Peter 248/122.1
6,711,272 B2 * 3/2004 Rodgers 381/363

* cited by examiner

Primary Examiner—Paula A. Greene

(74) *Attorney, Agent, or Firm*—Marshall, Gerstein & Borun
LLP

(57) **CLAIM**

The ornamental design for a “microphone clamp,” as shown
and described.

DESCRIPTION

FIG. 1 is a perspective view from the top and side of a
microphone clamp showing my new design;

FIG. 2 is a front view thereof;

FIG. 3 is a rear view thereof;

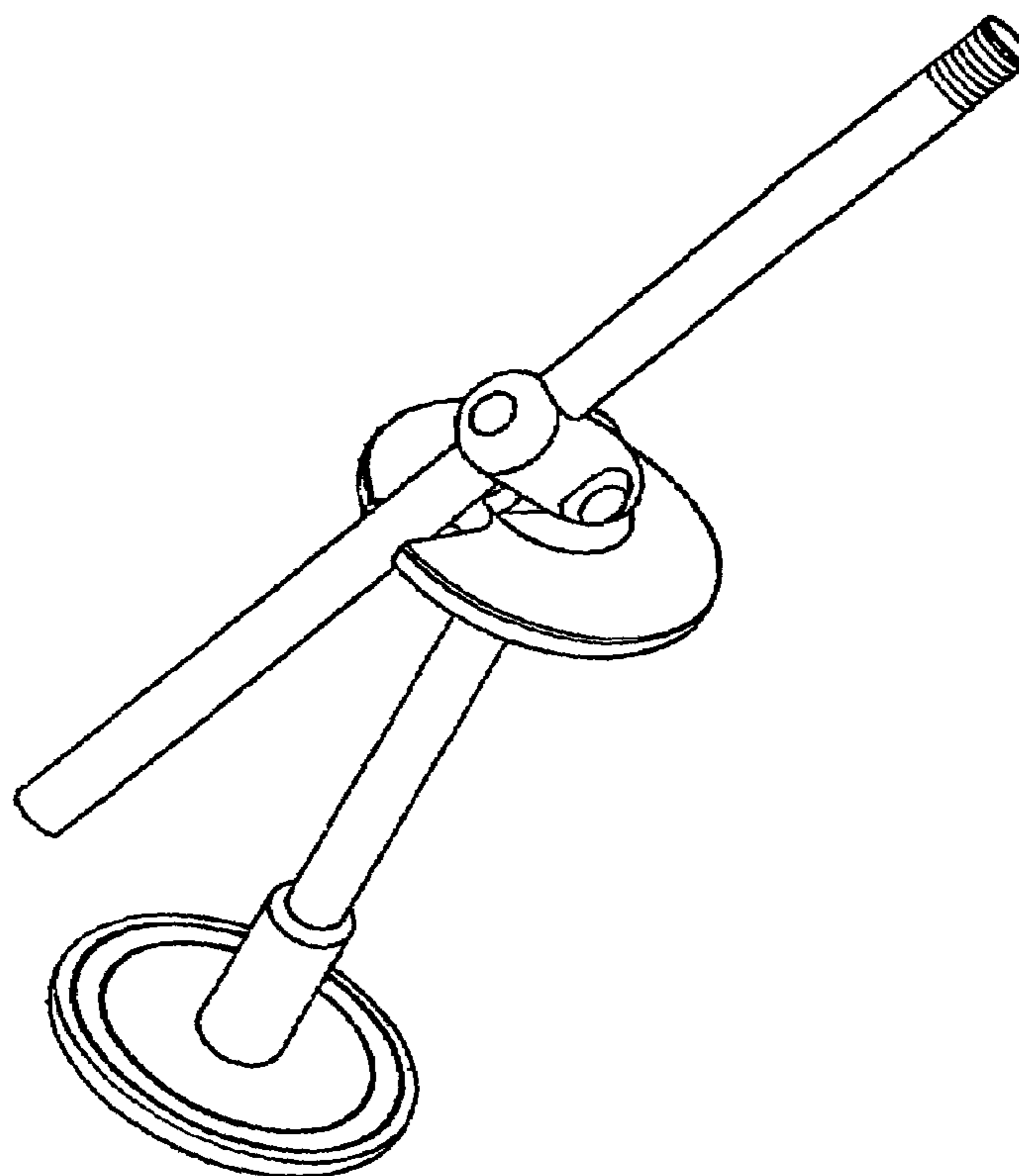
FIG. 4 is a left side view thereof;

FIG. 5 is a right side view thereof;

FIG. 6 is a top view thereof; and,

FIG. 7 is a bottom view thereof.

1 Claim, 6 Drawing Sheets



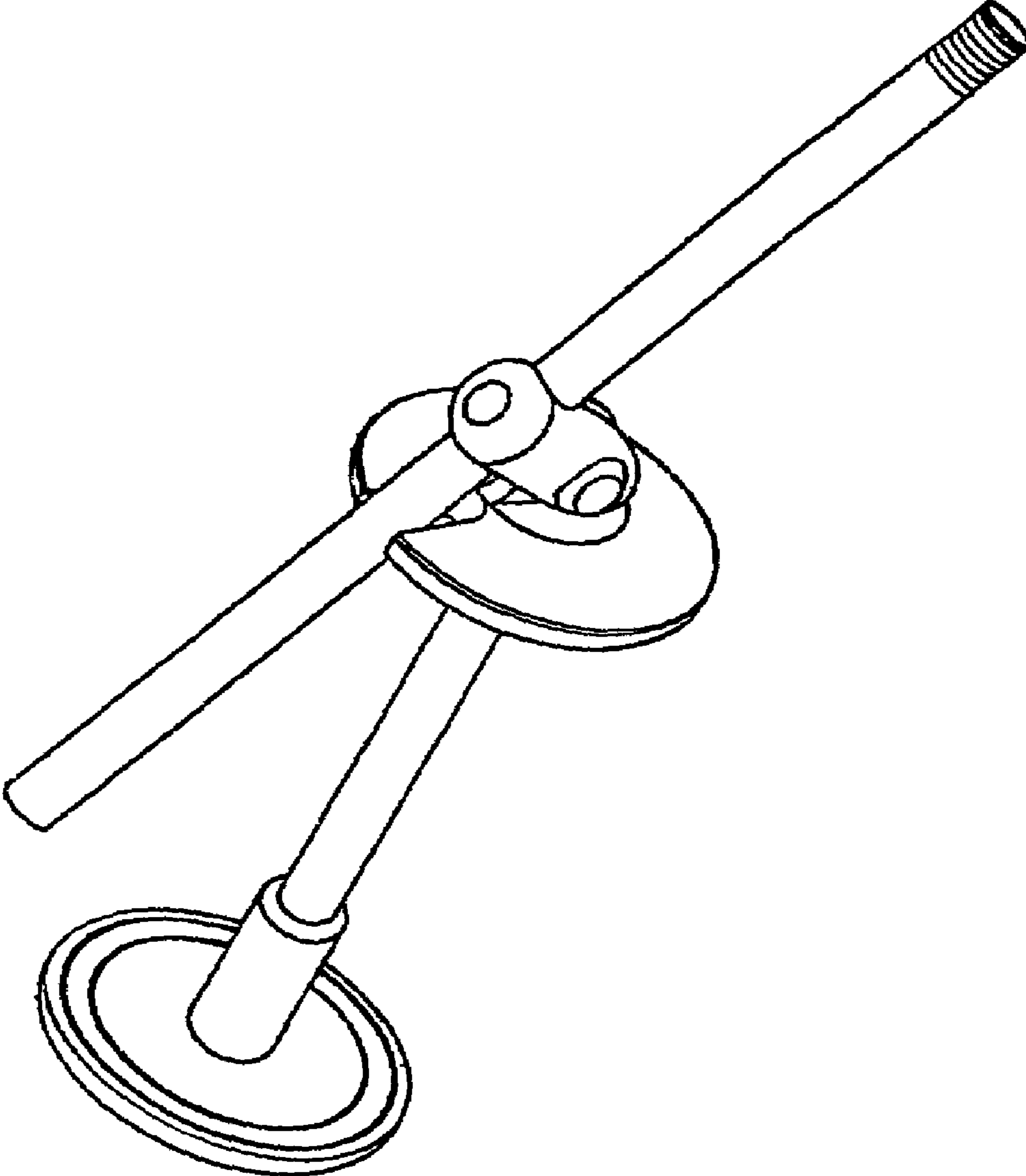


FIG. 1

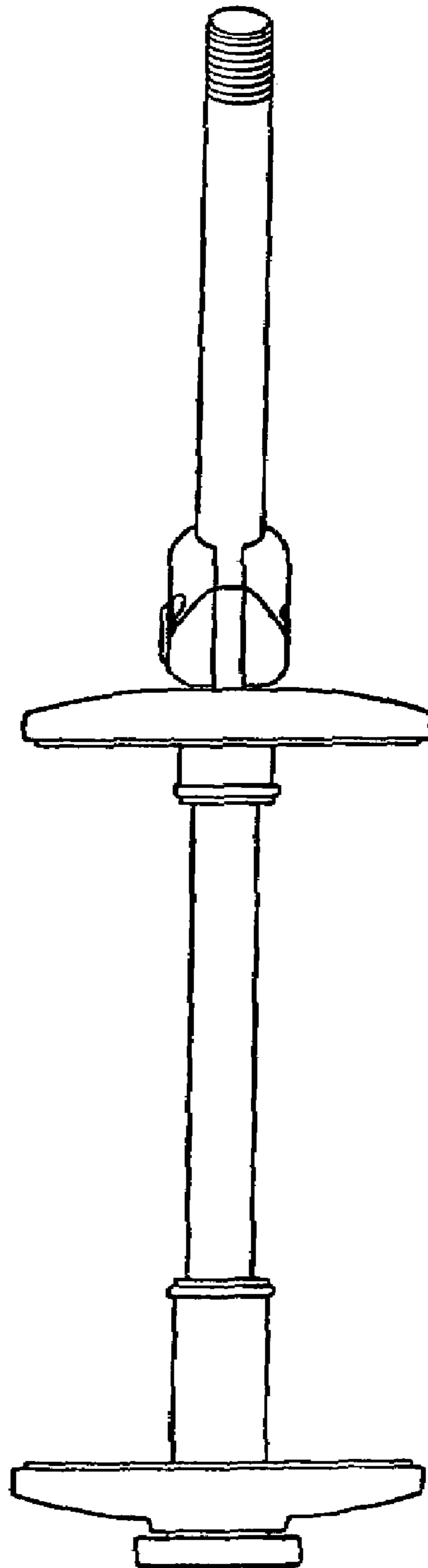


FIG. 2

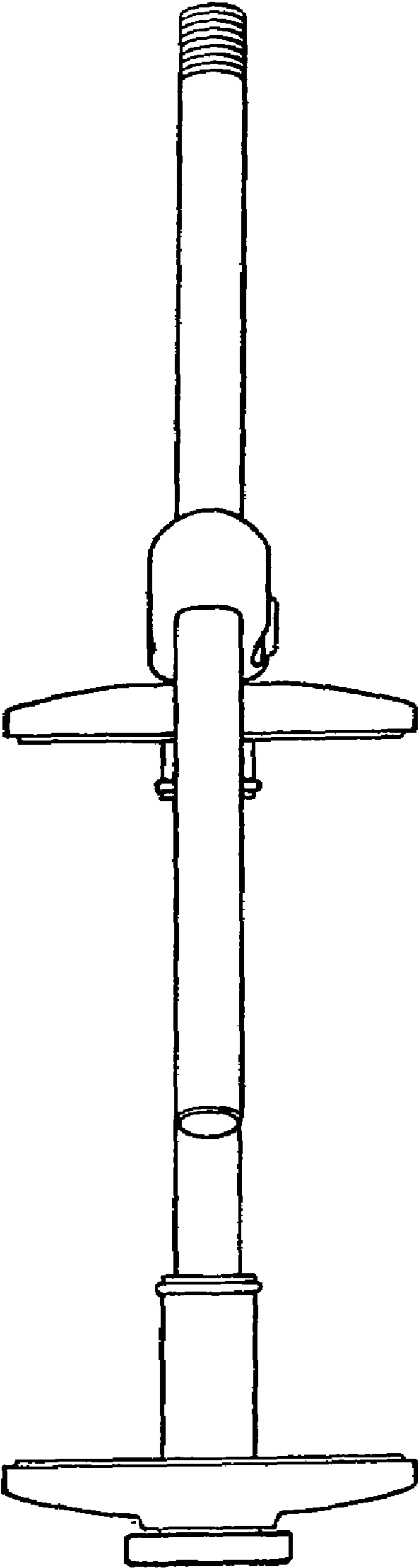


FIG. 3

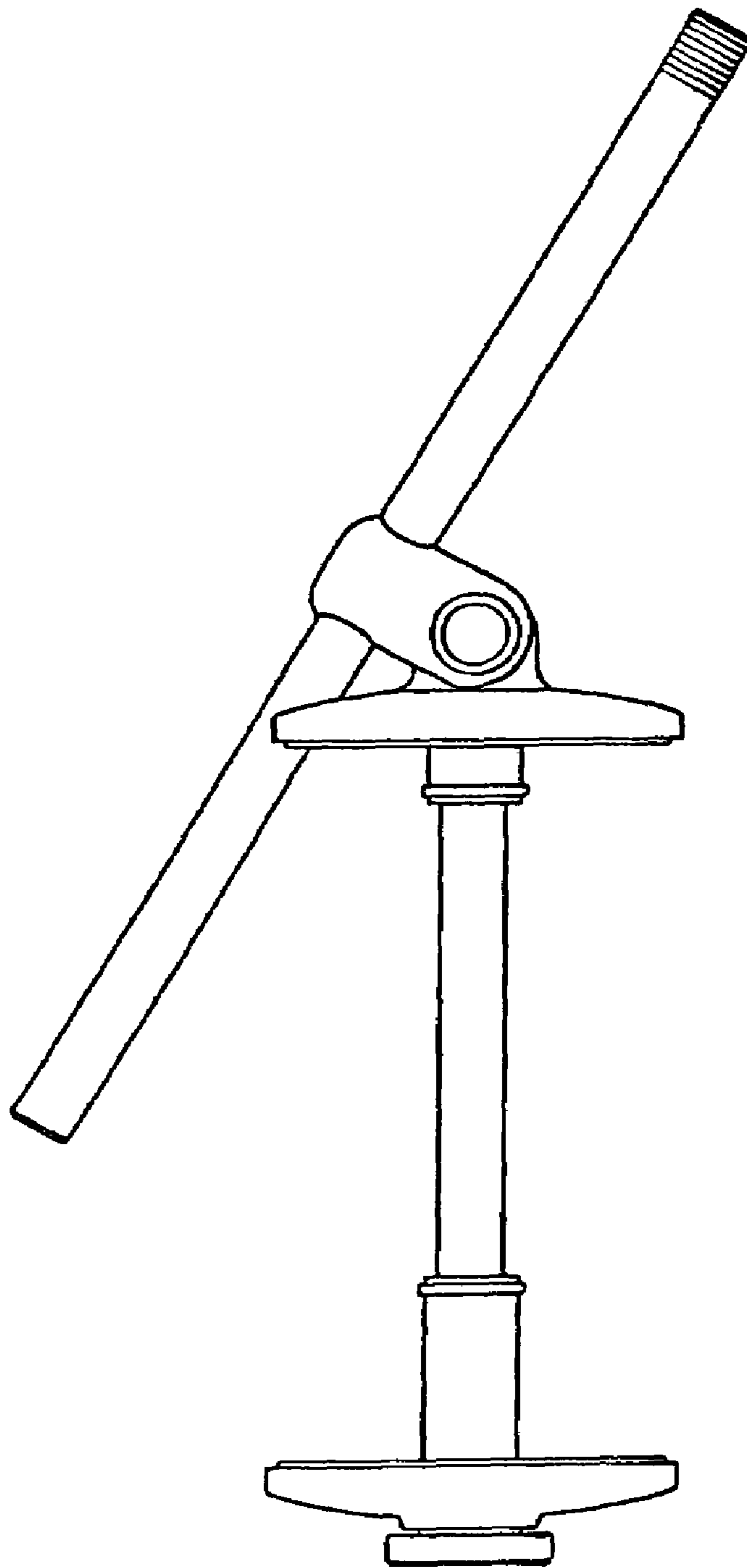


FIG. 4

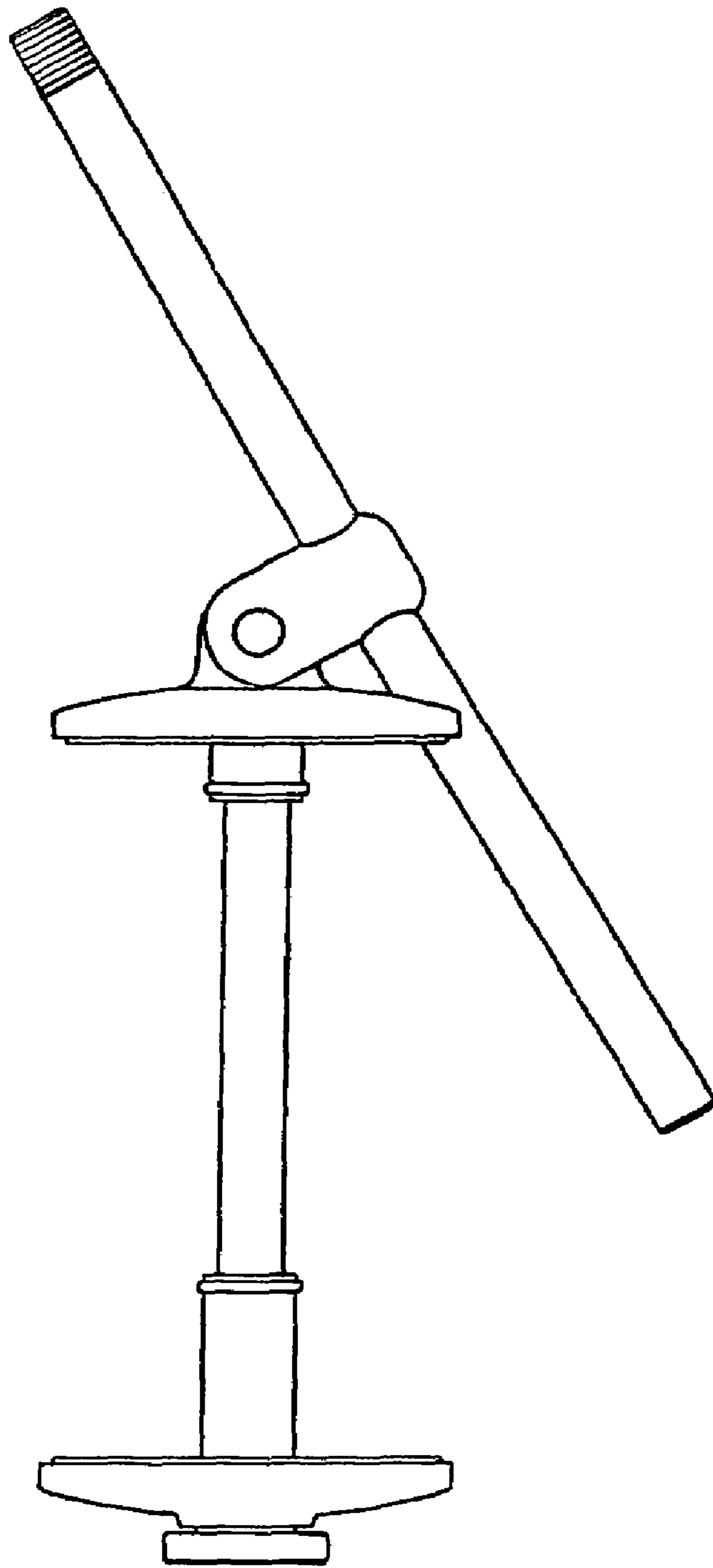


FIG. 5

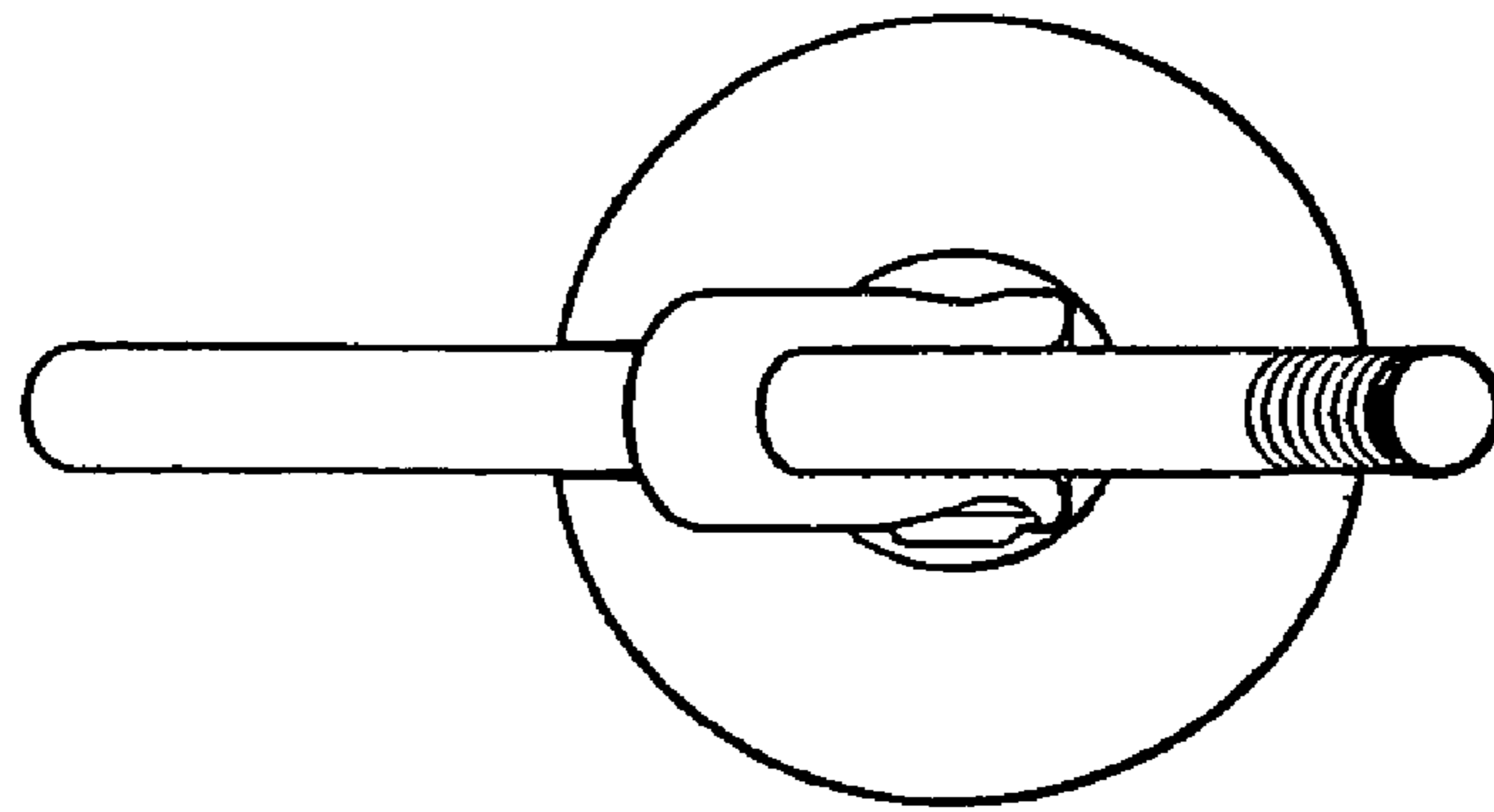


FIG. 6

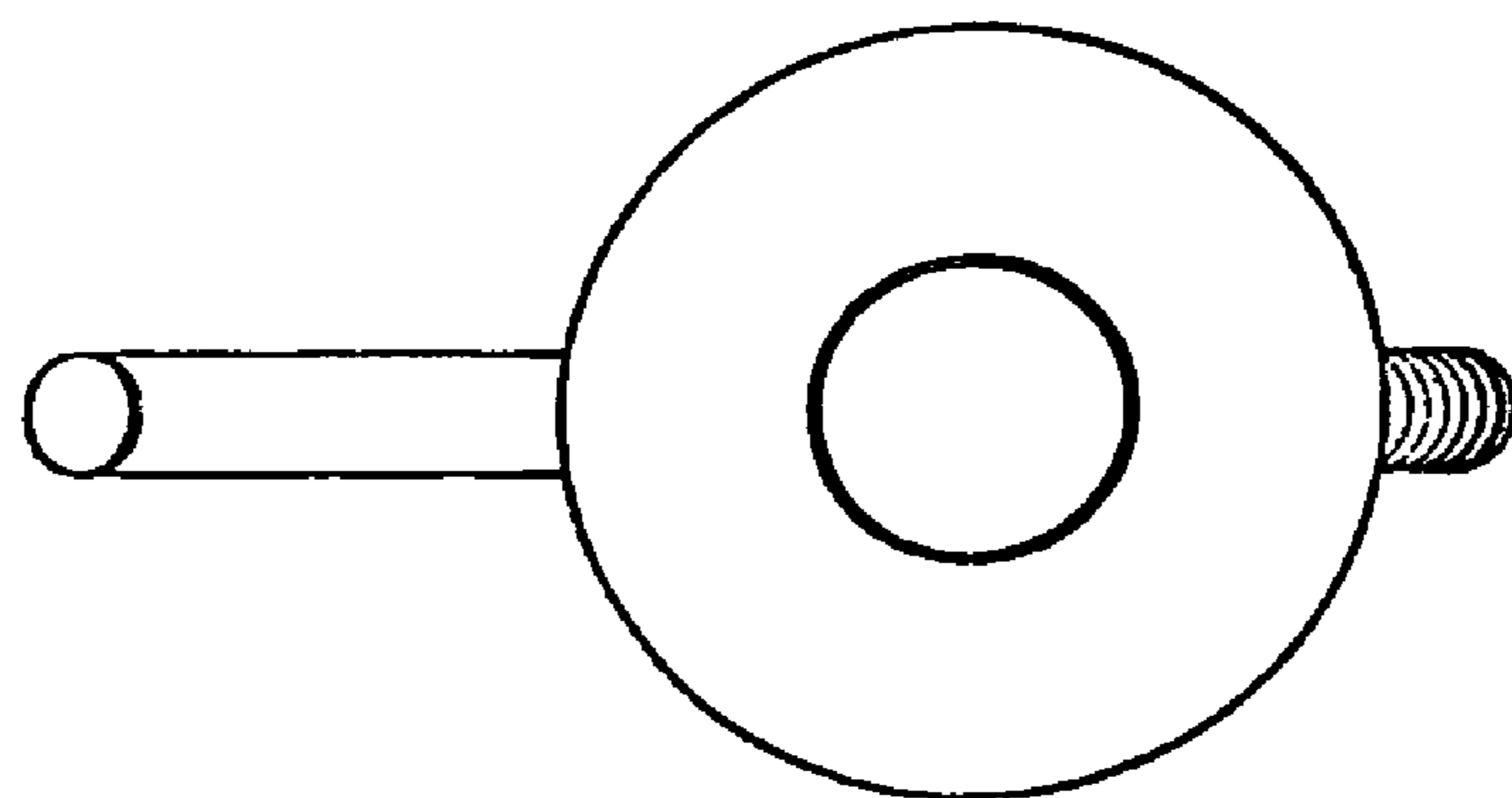


FIG. 7