



US00D561177S

(12) **United States Design Patent**
Mittersinker et al.

(10) **Patent No.:** **US D561,177 S**
(45) **Date of Patent:** **** *Feb. 5, 2008**

(54) **COMBINED DOCK AND MIXER FOR MEDIA PLAYERS**

D535,614 S * 1/2007 Majanen et al. D13/108
D543,162 S * 5/2007 Kim D14/125
2006/0221776 A1* 10/2006 Roman et al. 369/1

(75) Inventors: **Gregor Mittersinker**, Warwick, RI (US); **Michael Leighton**, Sunprairie, WI (US)

OTHER PUBLICATIONS

Create Digital Music, "Analysis: Prototype Numark iPod DJ Mixer", <http://createdigitalmusic.com/2005/04/14/analysis-prototype-numark-ipod-dj-mixer/>, Apr. 14, 2005, 1pg.*

(73) Assignee: **Numark Industries, LLC**, Cumberland, RI (US)

* cited by examiner

(*) Notice: This patent is subject to a terminal disclaimer.

Primary Examiner—Stella Reid
Assistant Examiner—Keli' L. Acker

(**) Term: **14 Years**

(74) *Attorney, Agent, or Firm*—Barlow, Josephs & Holmes, Ltd.

(21) Appl. No.: **29/246,073**

(57) **CLAIM**

(22) Filed: **Jan. 20, 2006**

The ornamental design for a combined dock and mixer for media players, as shown and described.

(51) **LOC (8) Cl.** **14-01**
(52) **U.S. Cl.** **D14/217**
(58) **Field of Classification Search** D14/156, D14/162, 167, 168, 188, 196–198, 217, 257, D14/258; D13/163, 164; 84/625, 660, 697; 381/118–120, 334; 455/350, 347
See application file for complete search history.

DESCRIPTION

FIG. 1 is a perspective view of a housing for combined dock and mixer for media players showing our new design;
FIG. 2 is a front elevational view thereof;
FIG. 3 is a rear elevational view thereof;
FIG. 4 is a top view thereof;
FIG. 5 is a bottom view thereof;
FIG. 6 is a left side elevational view thereof; and,
FIG. 7 is a right side elevational view thereof.

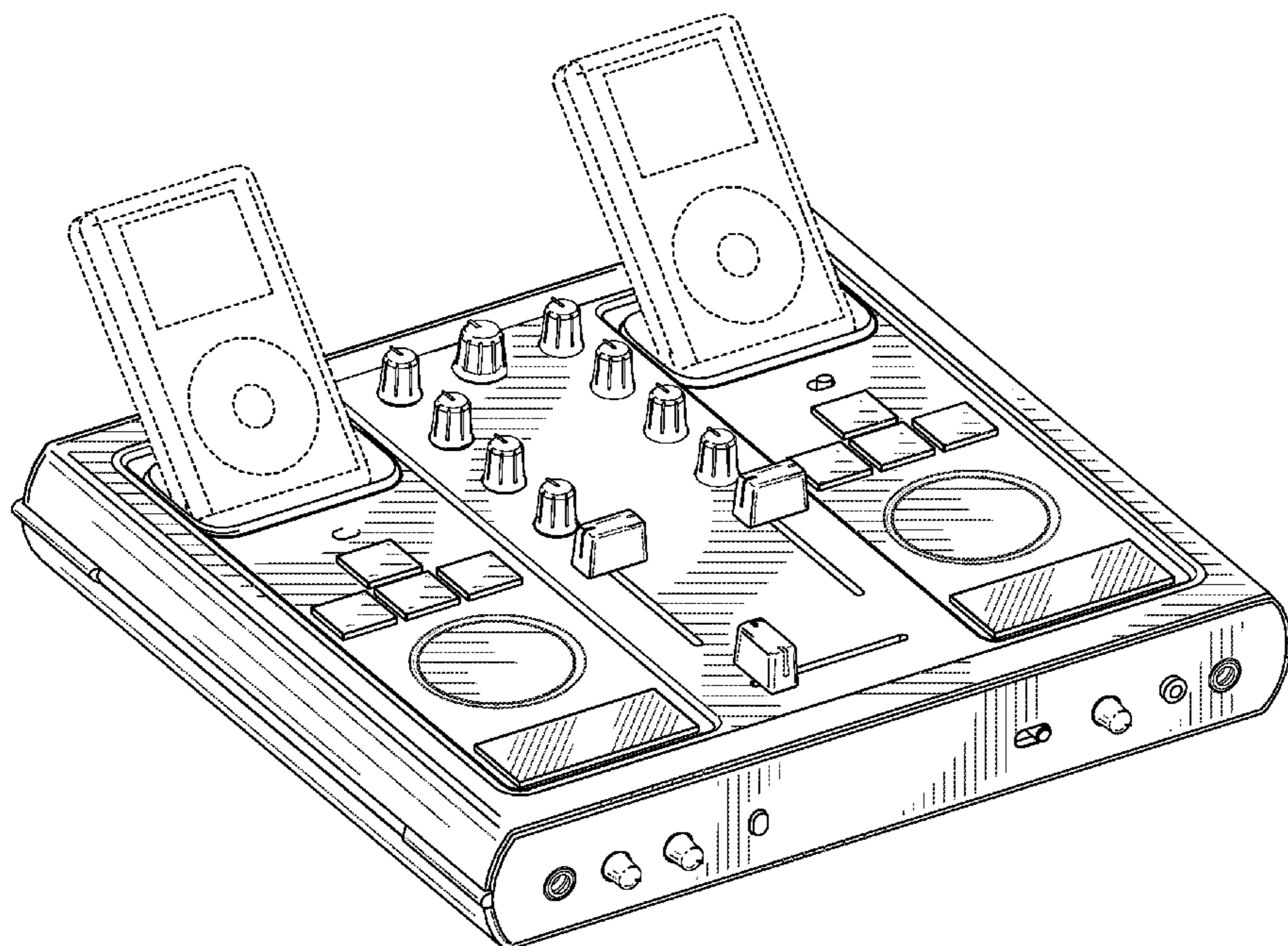
(56) **References Cited**

U.S. PATENT DOCUMENTS

D244,215 S * 5/1977 Ross D14/217
D265,199 S * 6/1982 Urban et al. D14/217
D273,950 S * 5/1984 Itoh et al. D14/217
D325,910 S * 5/1992 Ito et al. D14/162
D384,356 S * 9/1997 Ito et al. D14/217
D424,056 S * 5/2000 Ito et al. D14/162
D454,855 S * 3/2002 Nakane D14/168
D495,336 S * 8/2004 Andre et al. D14/434

The broken line showing of the portable media players, and example layout for buttons, knobs, sliders and jacks are included for the purpose of illustrating environmental structure and forms no part of the claimed design.

1 Claim, 7 Drawing Sheets



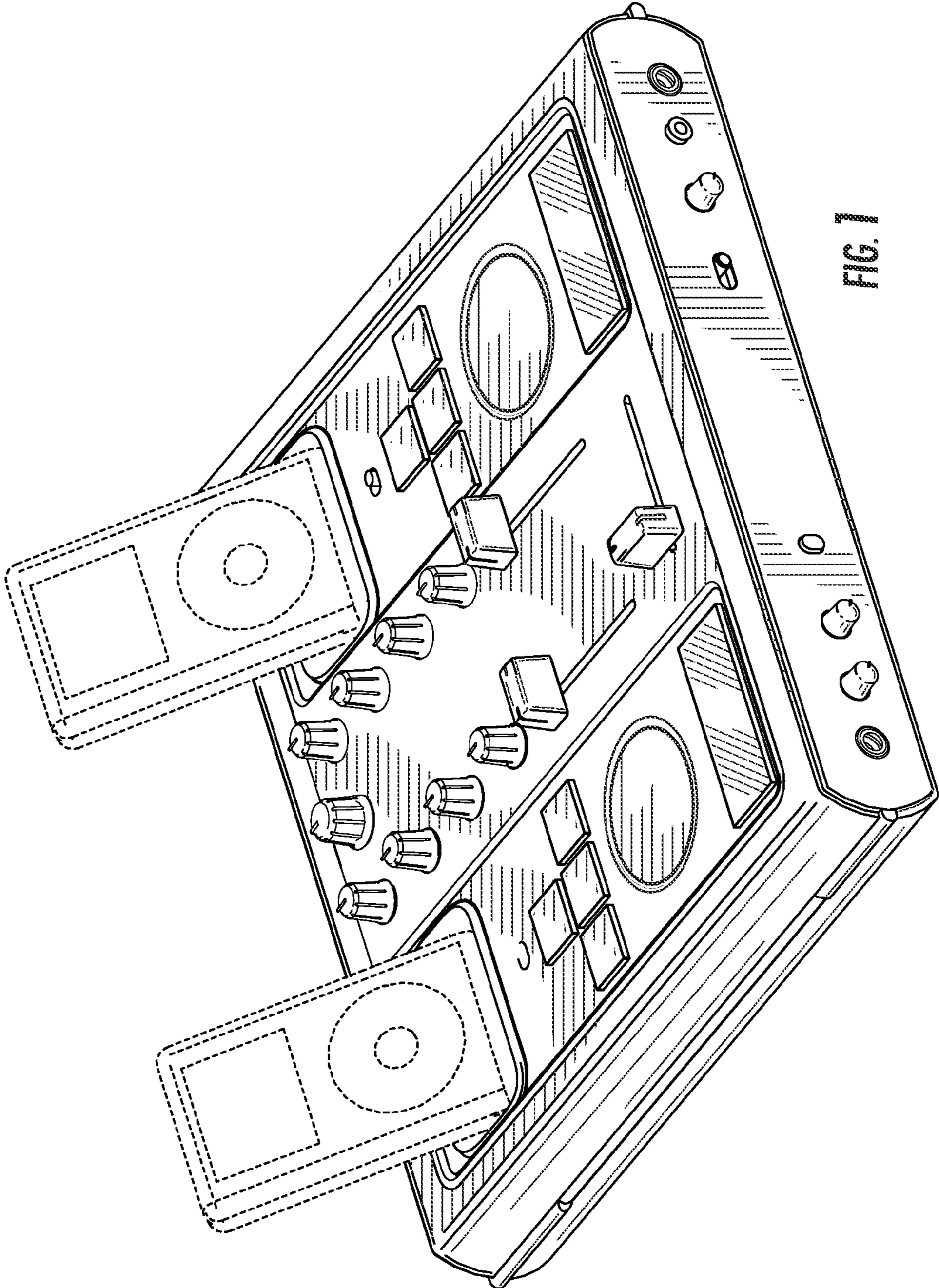


FIG. 1

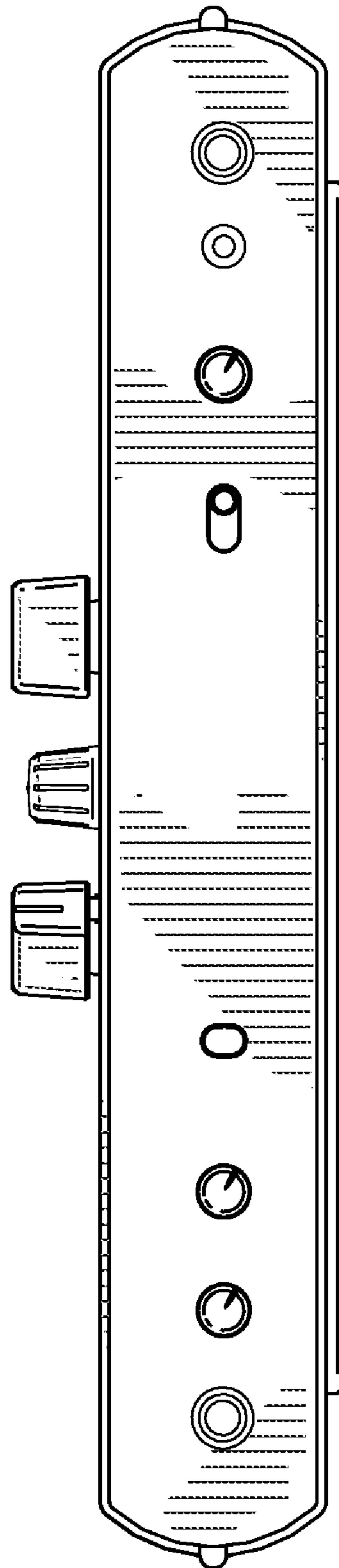


FIG. 2

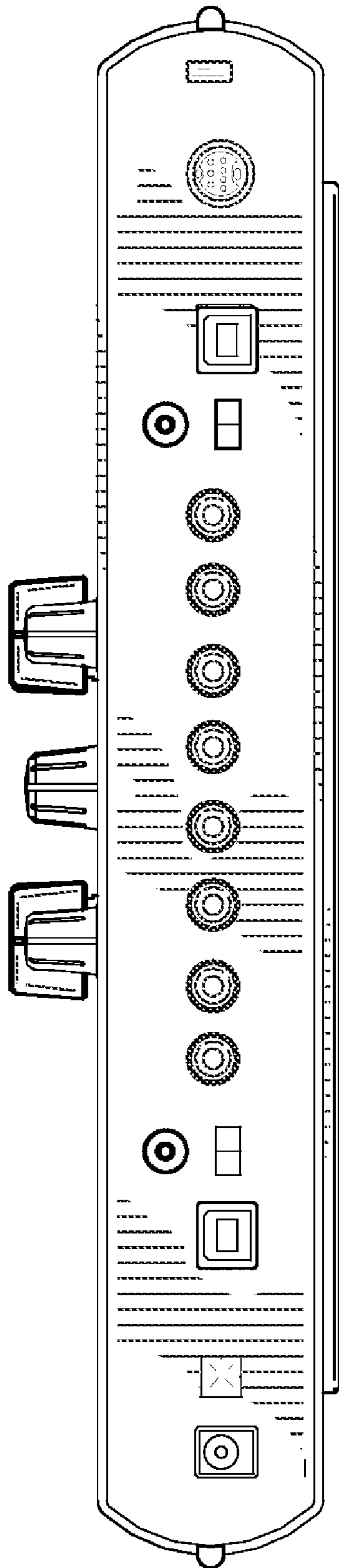


FIG. 3

FIG. 4

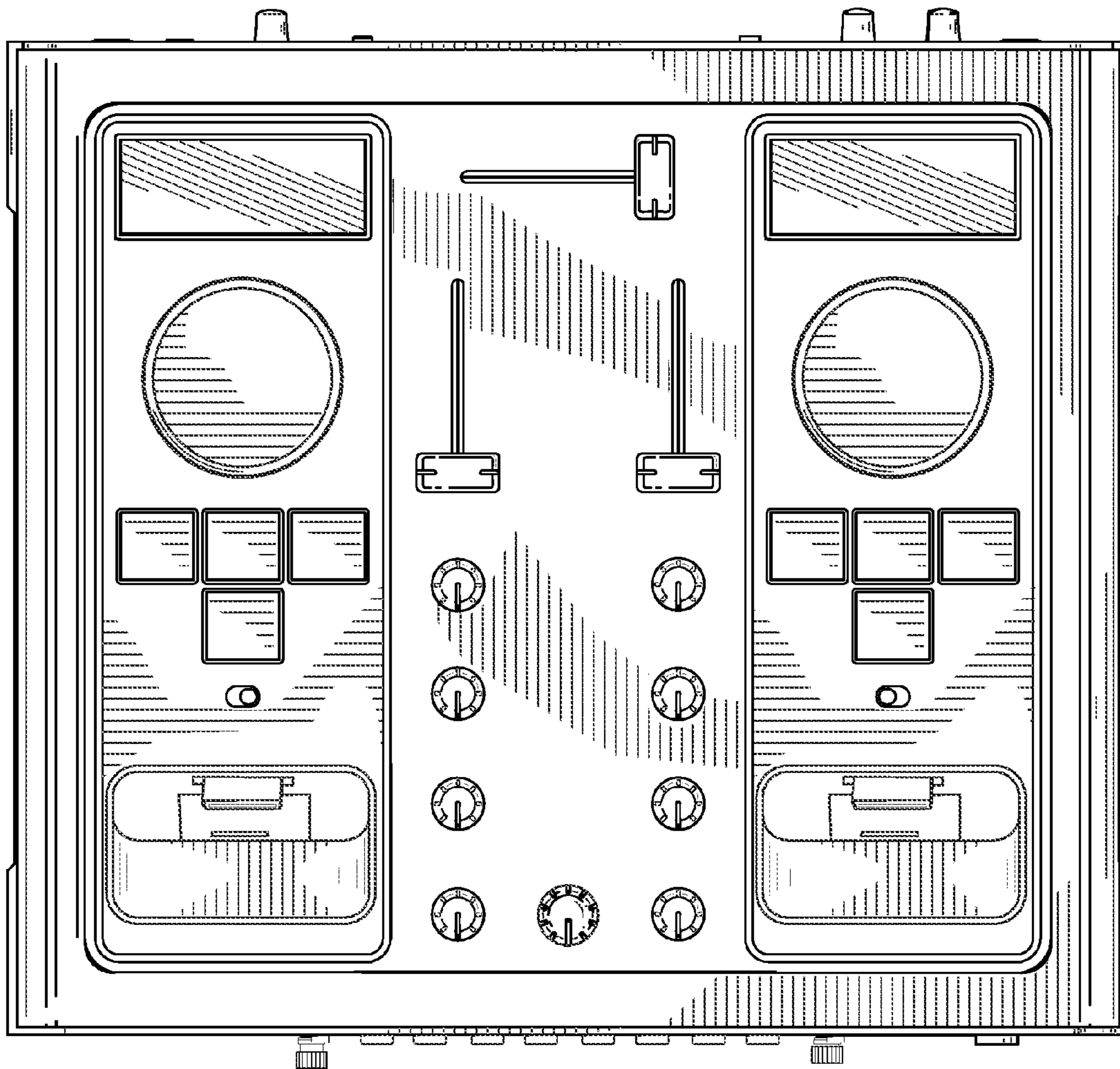
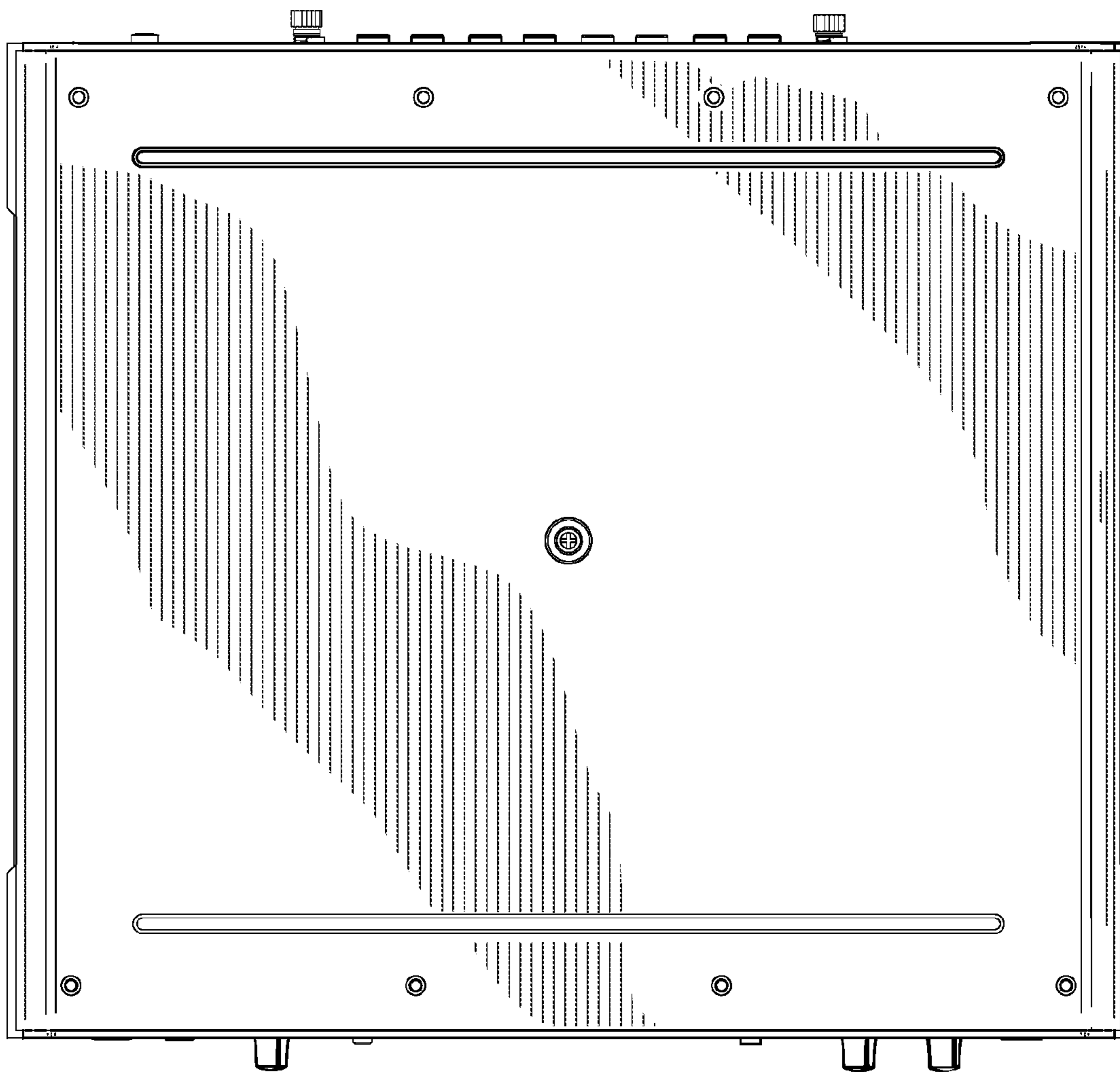


FIG. 5



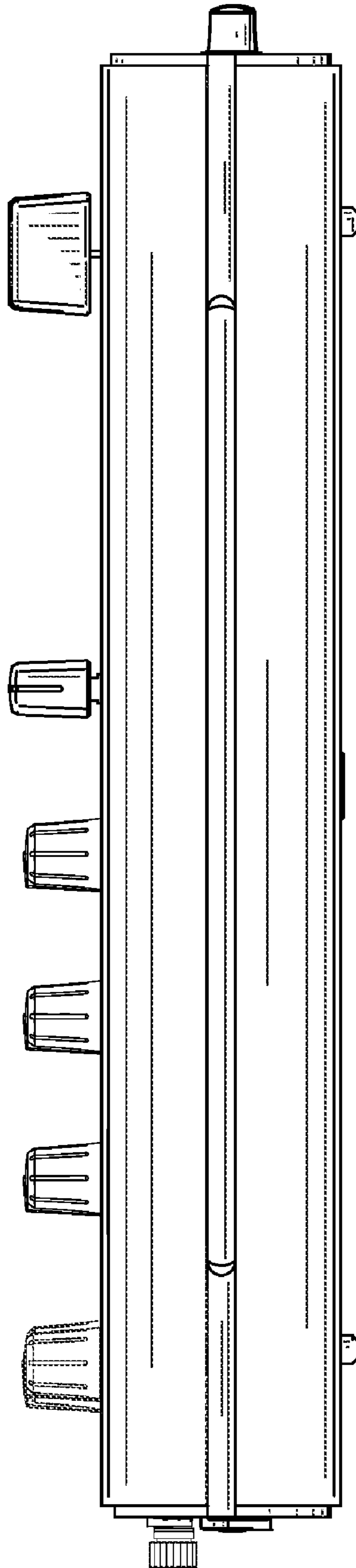


FIG. 6

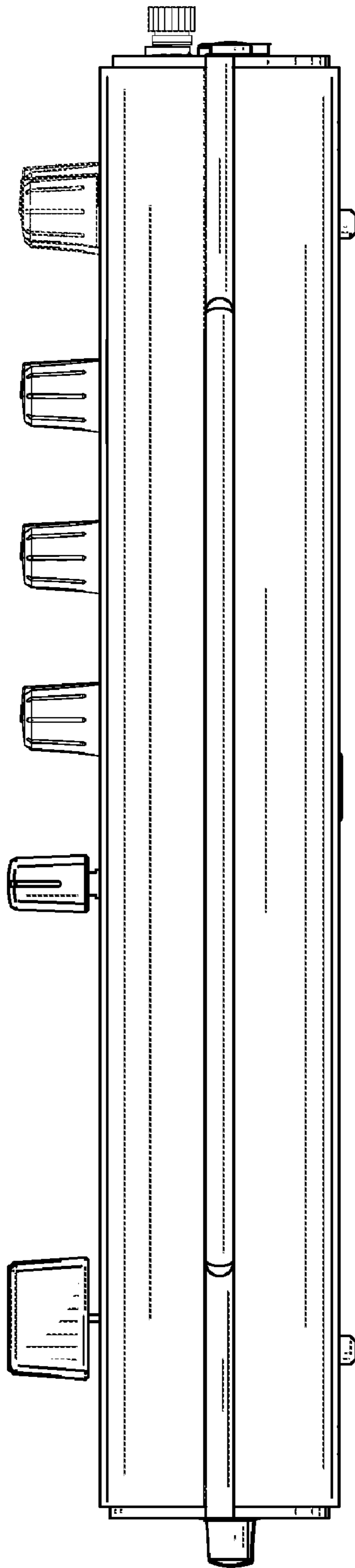


FIG. 7