



US00D561175S

(12) **United States Design Patent**
Zhang

(10) **Patent No.:** **US D561,175 S**
(45) **Date of Patent:** **** Feb. 5, 2008**

(54) **PORTABLE SPEAKERS**

(75) Inventor: **Yongde Zhang**, Shen Zhen (CN)

(73) Assignee: **Coby Electronics Corporation**,
Maspeth, NY (US)

(**) Term: **14 Years**

(21) Appl. No.: **29/281,765**

(22) Filed: **Jun. 29, 2007**

Related U.S. Application Data

(62) Division of application No. 29/251,050, filed on Jan. 4, 2006.

(51) **LOC (8) Cl.** **14-01**

(52) **U.S. Cl.** **D14/214; D14/215**

(58) **Field of Classification Search** D14/135-136,
D14/156, 167-168, 204, 215, 216, 217, 496,
D14/188, 455; 181/143-148, 150, 157; 360/99.07;
369/75.11, 75.21, 77.21, 77.11; 381/300-303,
381/361-364, 386-388; 455/347-351
See application file for complete search history.

(56) **References Cited**

U.S. PATENT DOCUMENTS

D440,556 S	*	4/2001	Kobayashi et al.	D14/215
D510,584 S	*	10/2005	Tierney	D14/496
D513,612 S	*	1/2006	Harris et al.	D14/168
D530,310 S	*	10/2006	Tsai	D14/215
D532,769 S	*	11/2006	Harris et al.	D14/168

* cited by examiner

Primary Examiner—Nanda Bondade

(74) *Attorney, Agent, or Firm*—Mayer Brown LLP

(57) **CLAIM**

The ornamental design for portable speakers, as shown and described.

DESCRIPTION

A portion of this patent document contains material which is subject to copyright protection. The copyright owner has no objection to the facsimile reproduction by anyone of the patent document or the patent disclosure, as it appears in the Patent and Trademark Office patent files or records, but otherwise reserves all copyrights whatsoever.

FIG. 1 is a front perspective view of a portable speakers, with lid in fully open position and speakers in closed position;

FIG. 2 is a front perspective view thereof, with lid in partially open position and speakers in closed position;

FIG. 3 is a front perspective view thereof, with lid in fully open position and speakers in open position;

FIG. 4 is a perspective view thereof, with lid in a closed position;

FIG. 5 is a front elevational view thereof;

FIG. 6 is a top plan view thereof;

FIG. 7 is a right side elevational view thereof;

FIG. 8 is a left side elevational view thereof;

FIG. 9 is a rear elevational view thereof;

FIG. 10 is a bottom plan view thereof; and,

FIG. 11 is a rear perspective view thereof, with lid in fully open position and speakers in open position.

The broken line showing on the drawing disclosure is for illustrative purposes only and forms no part of the claimed design.

1 Claim, 8 Drawing Sheets

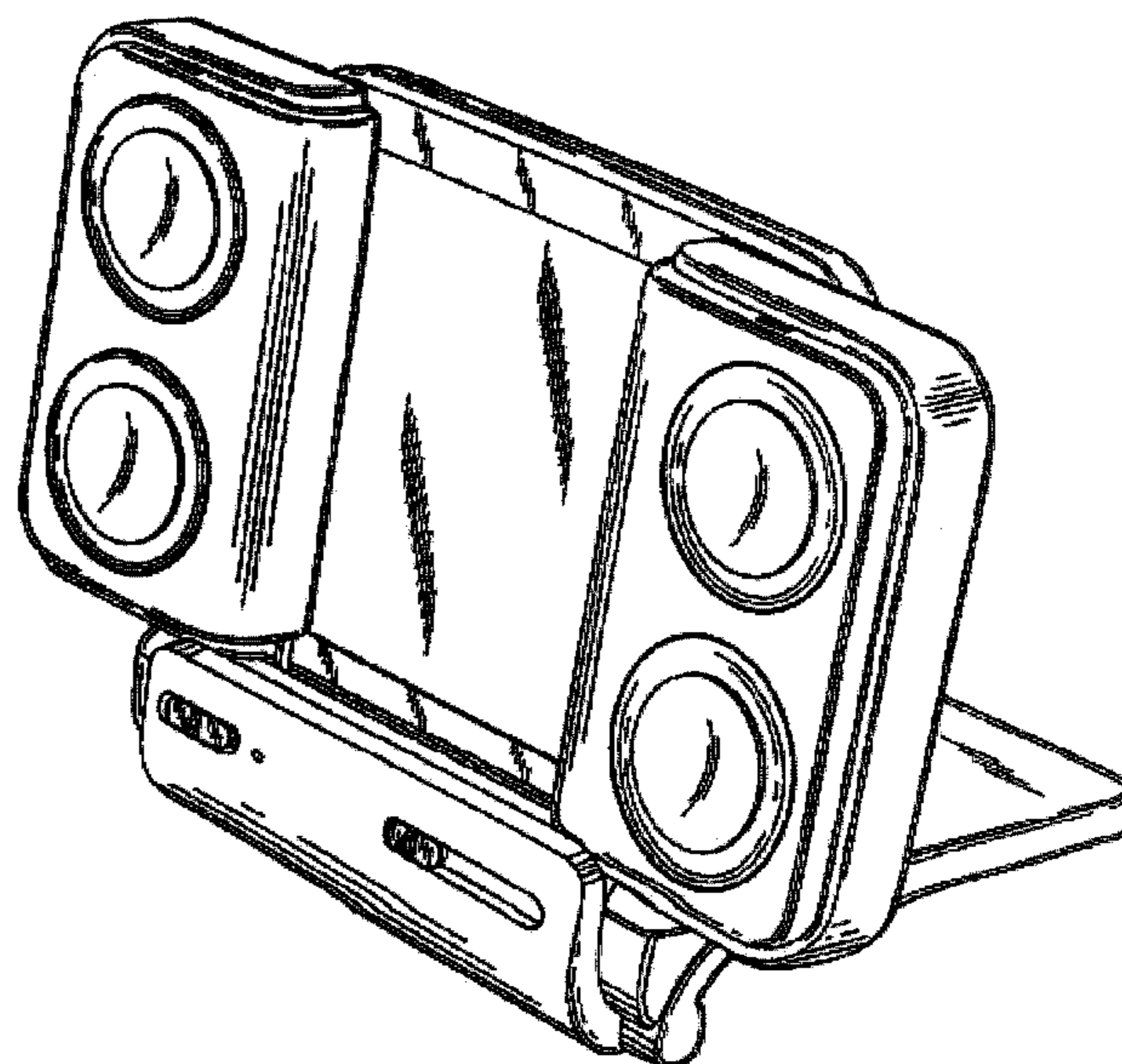
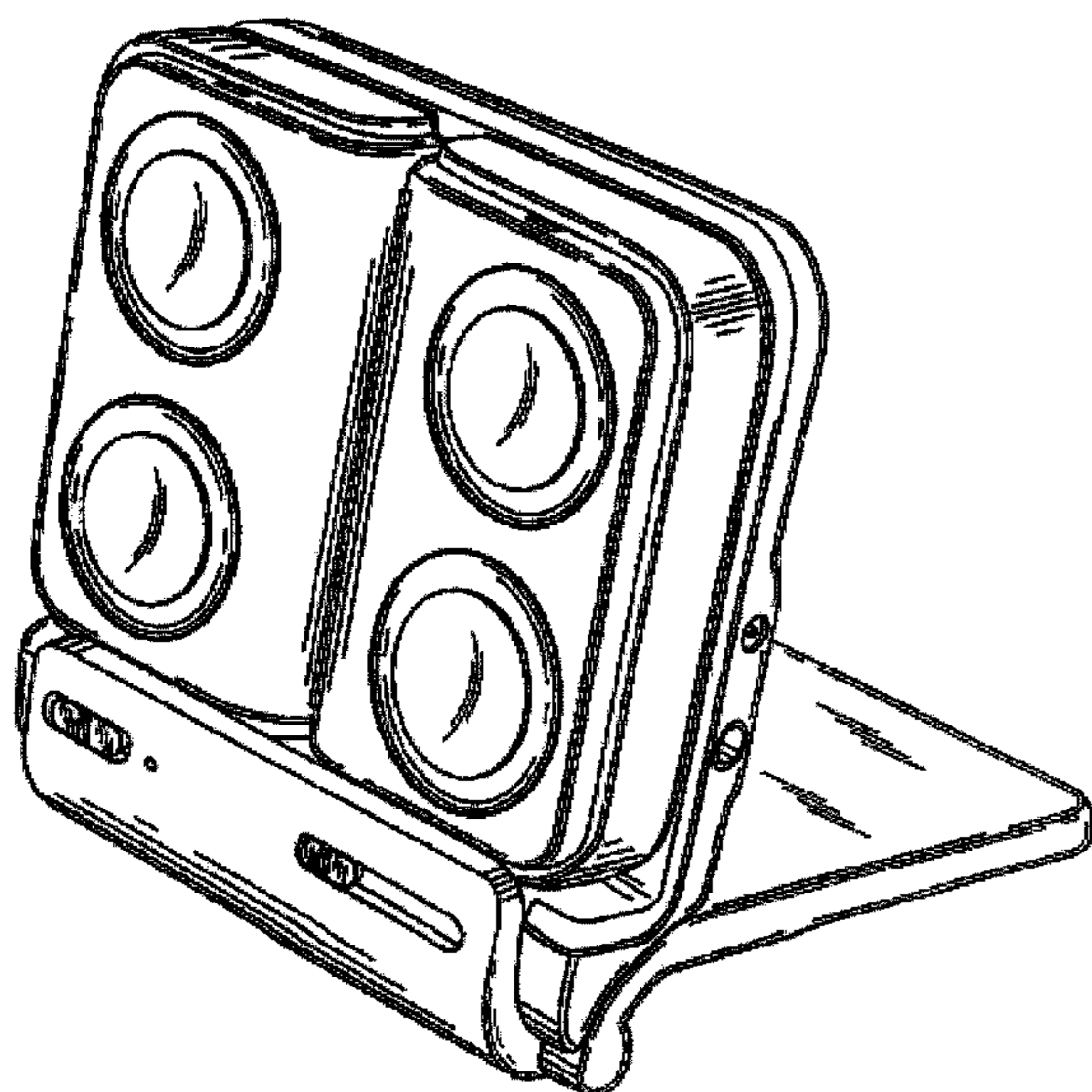


FIG. 1

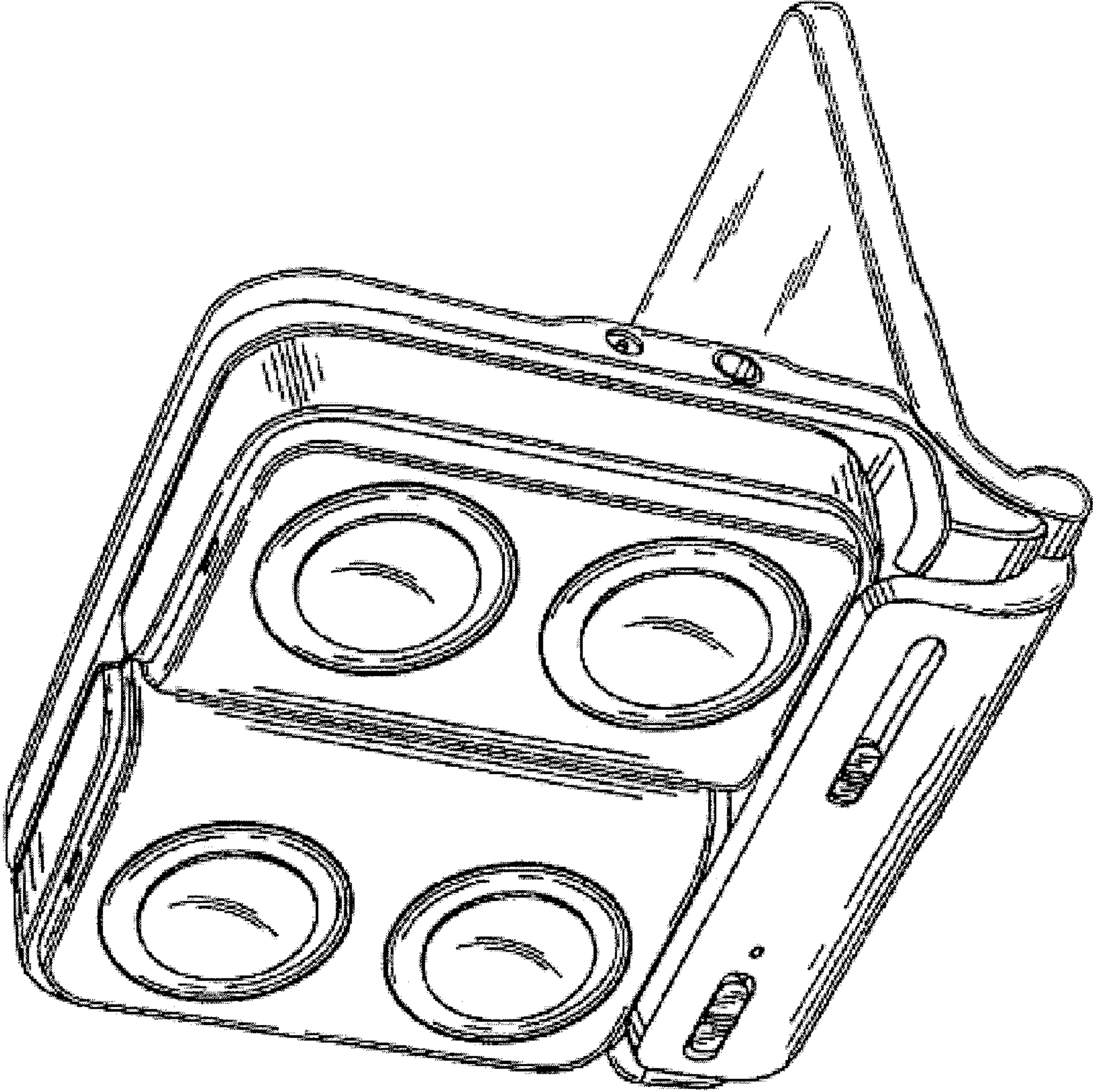


FIG. 2

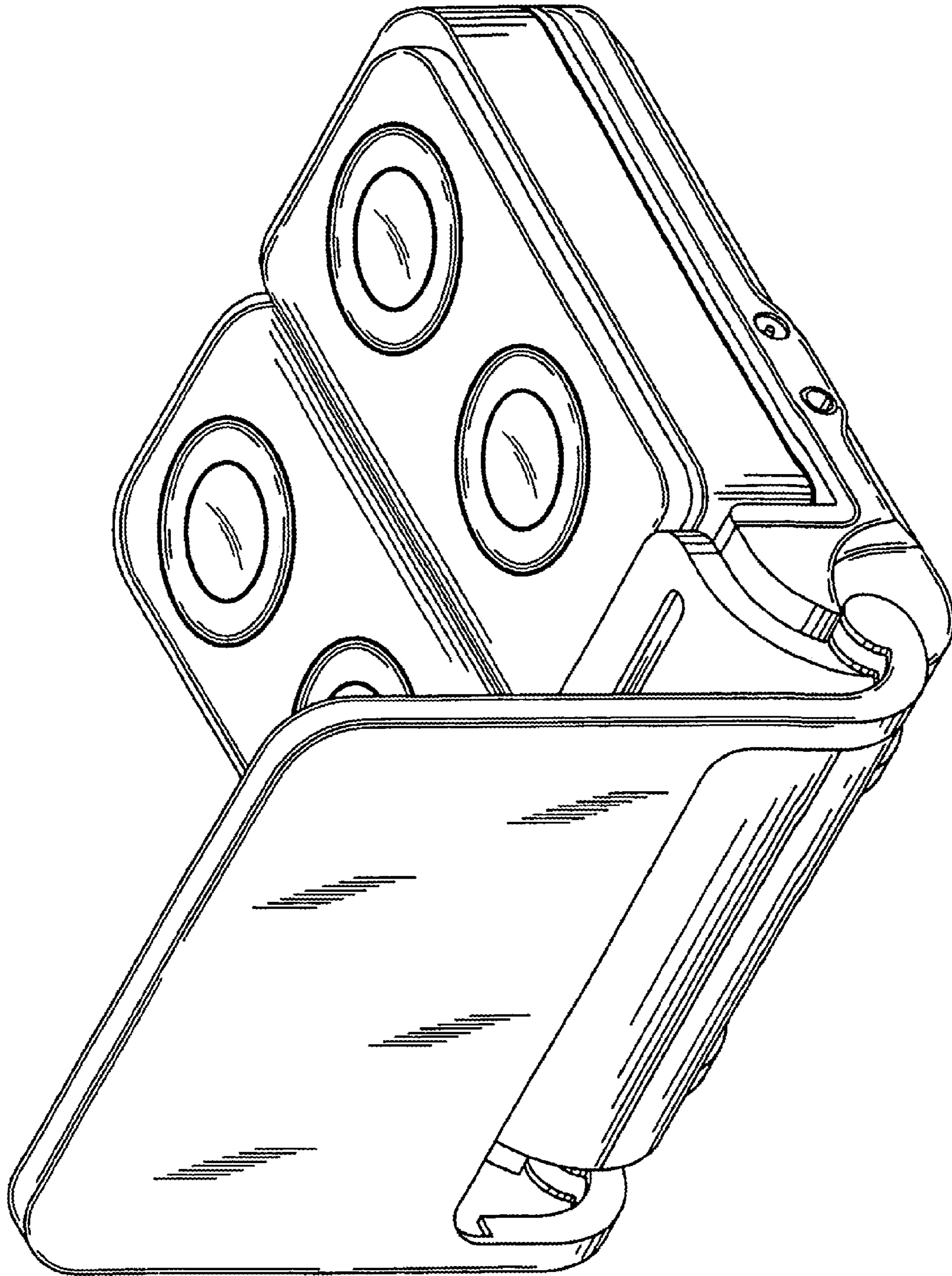


FIG. 3

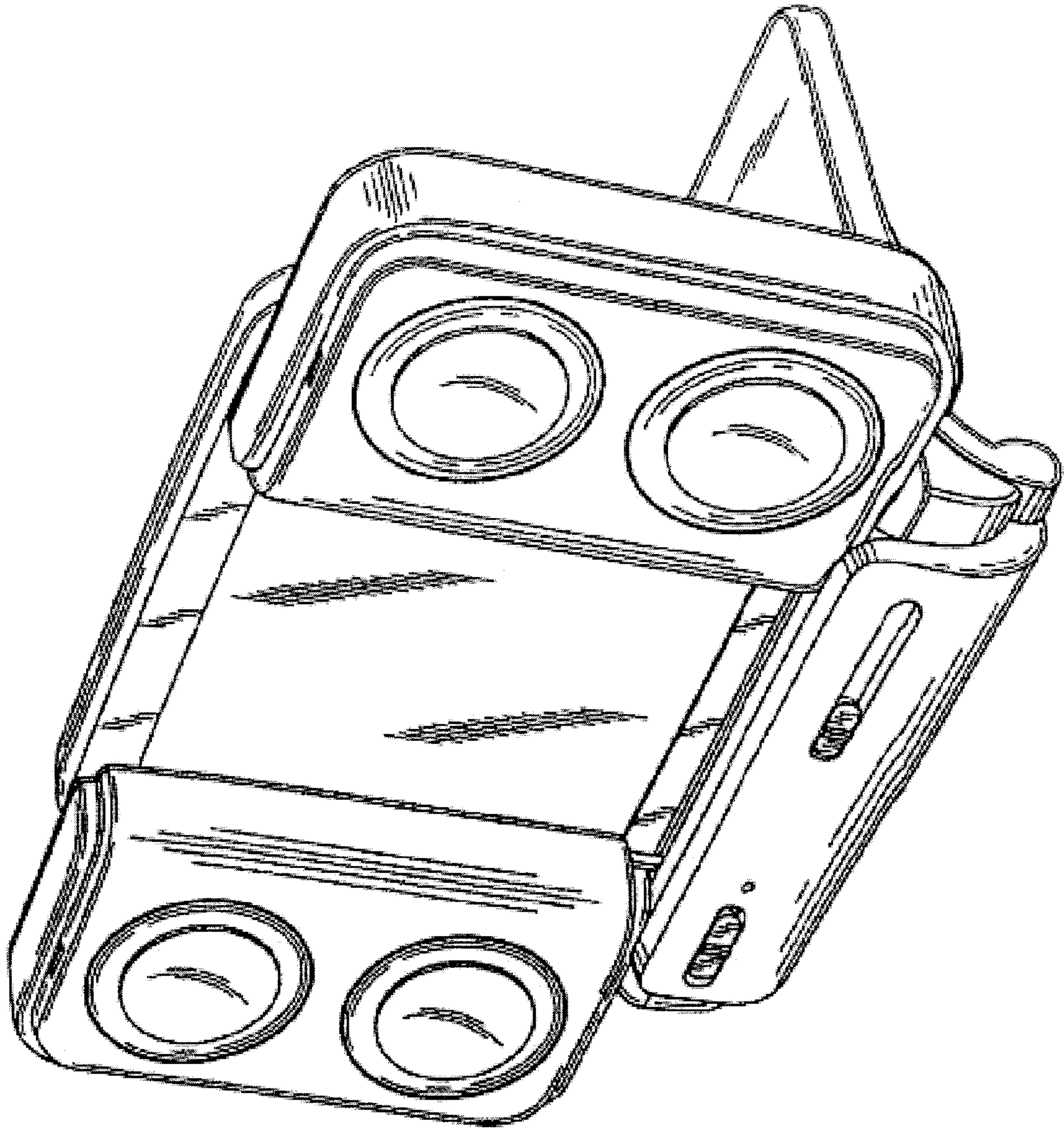


FIG. 4

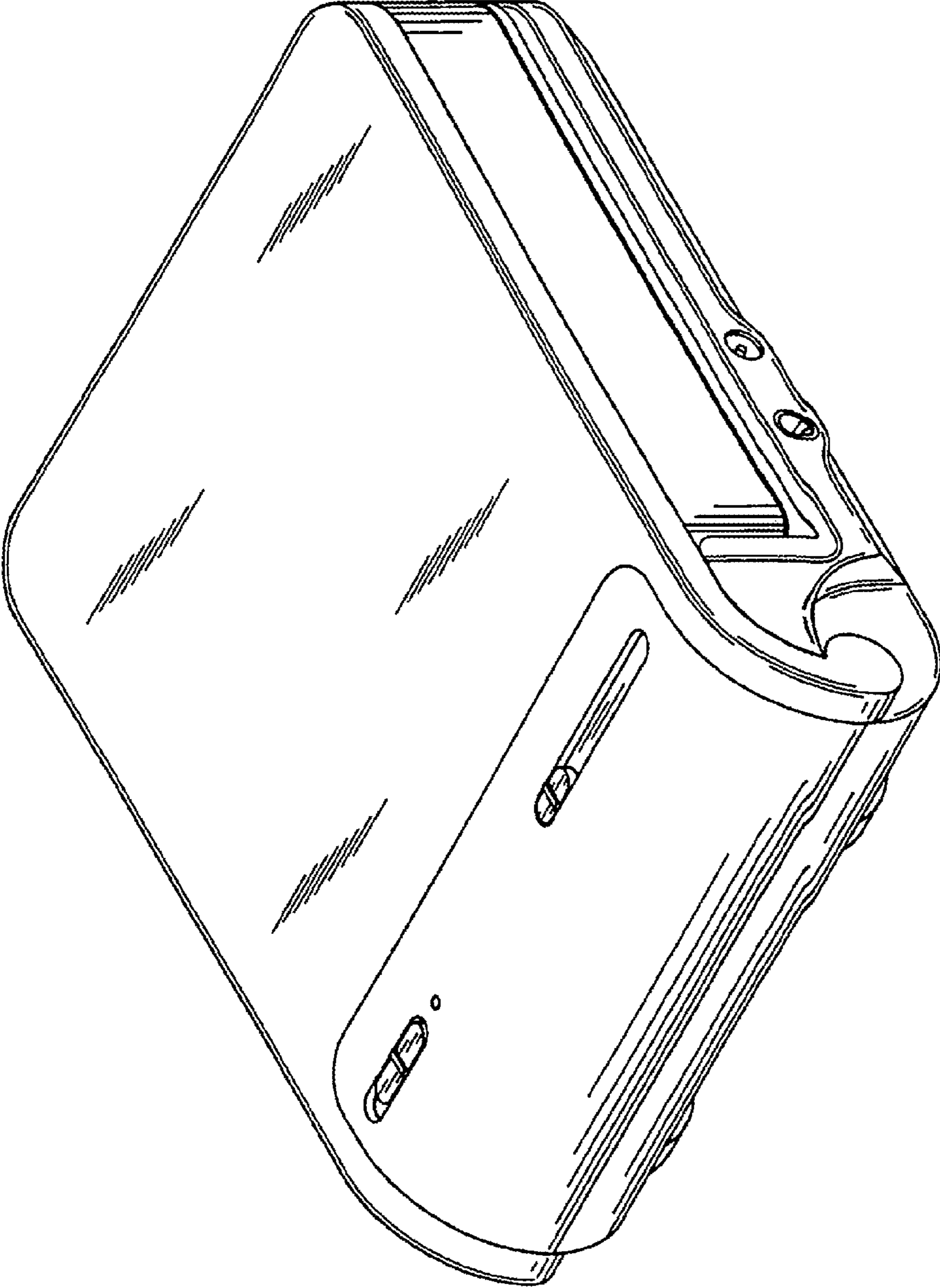


FIG. 5

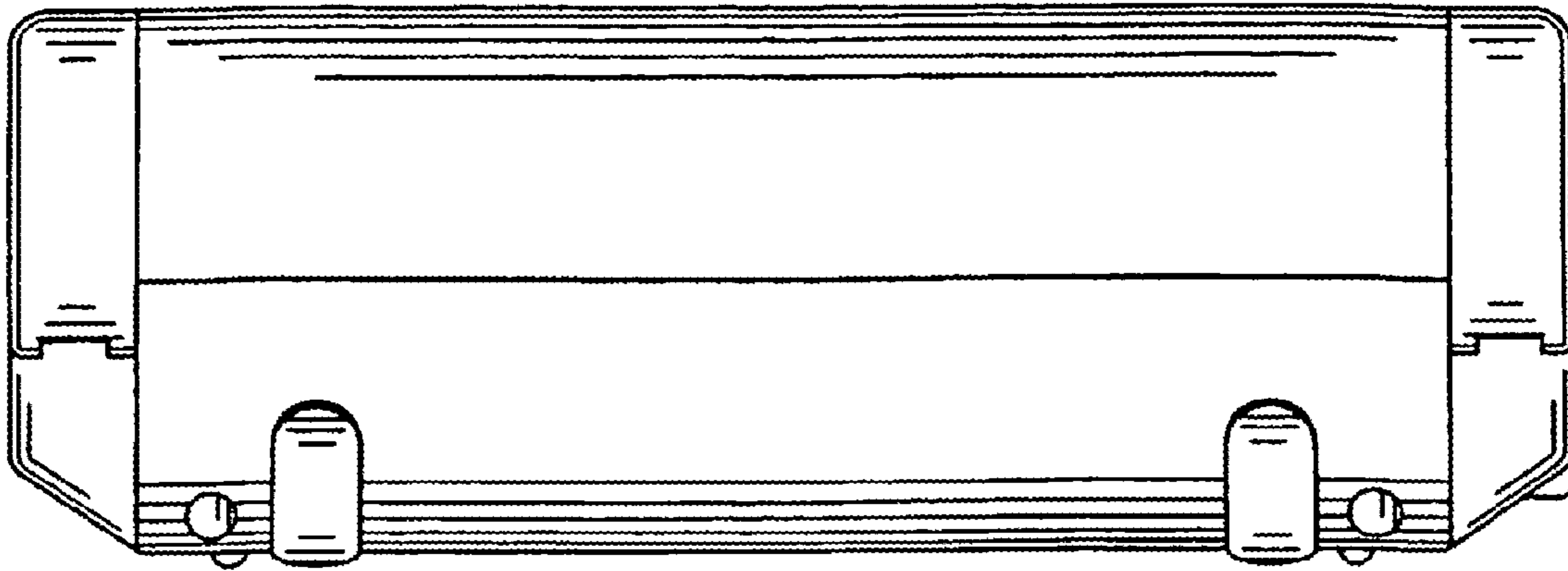


FIG. 6

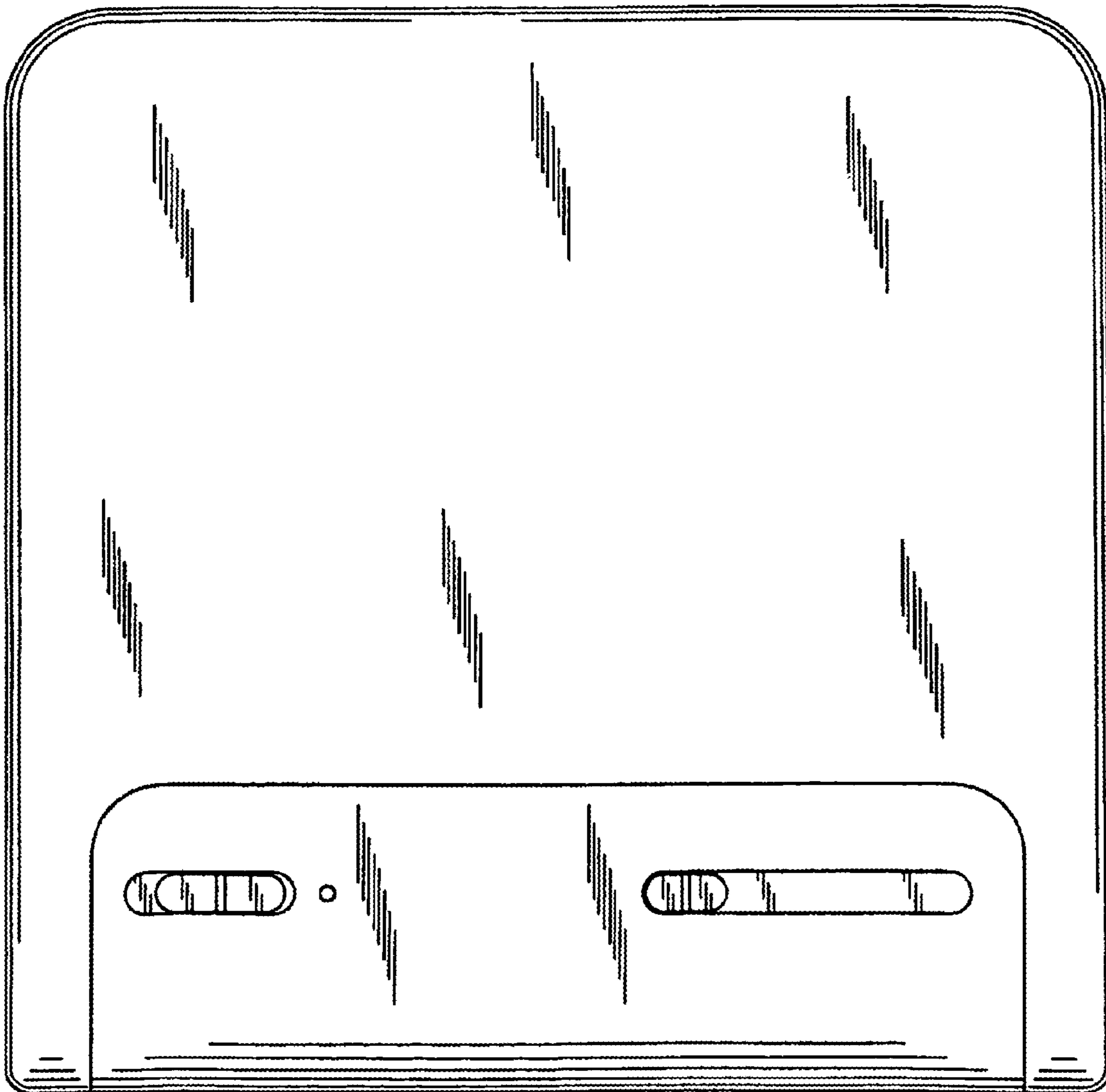


FIG. 7

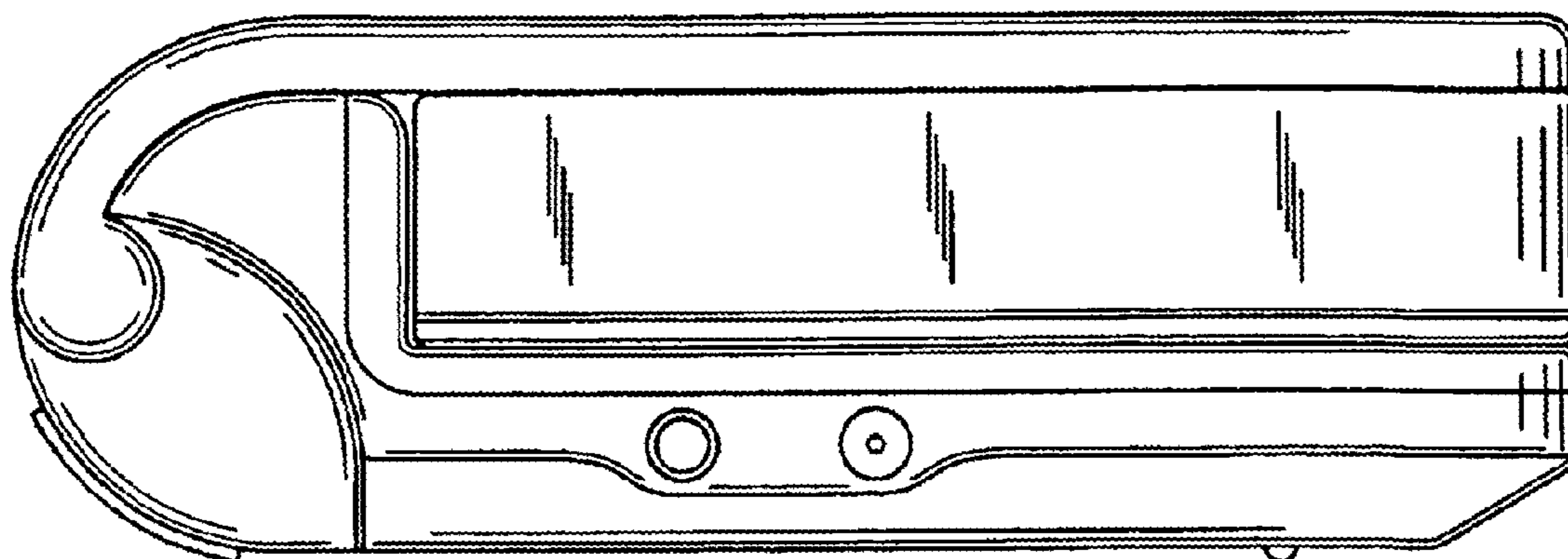


FIG. 8

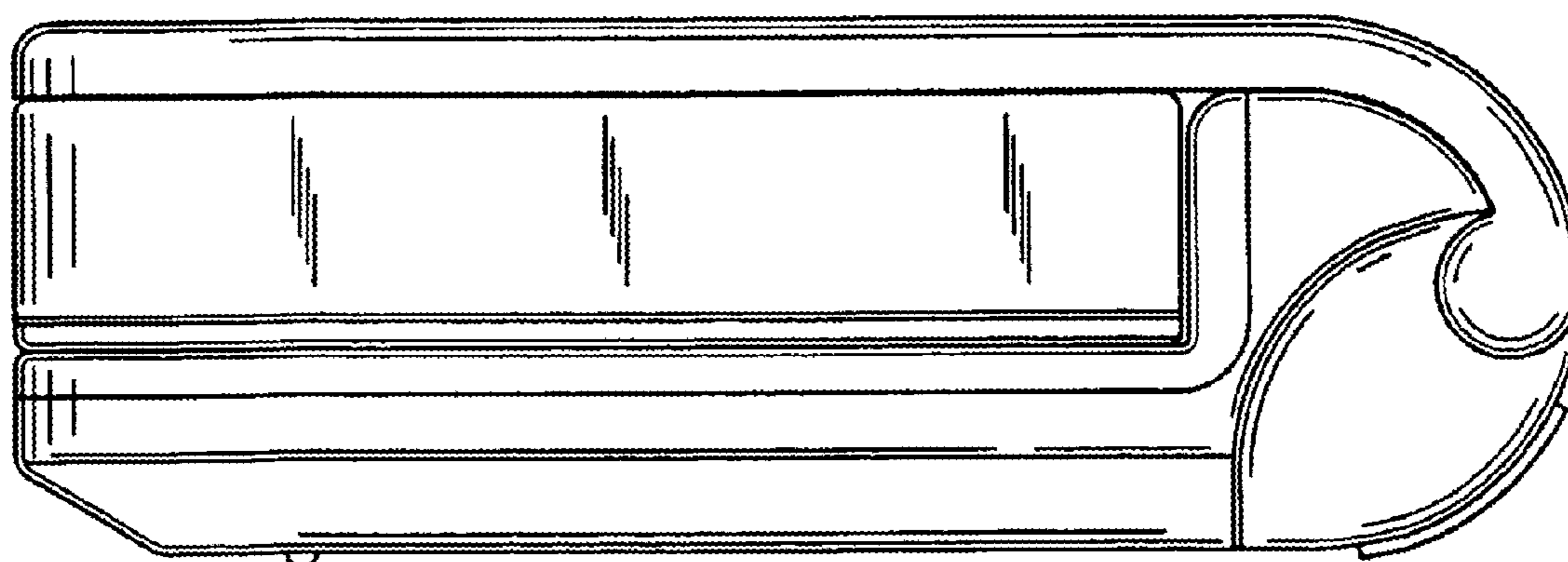


FIG. 9

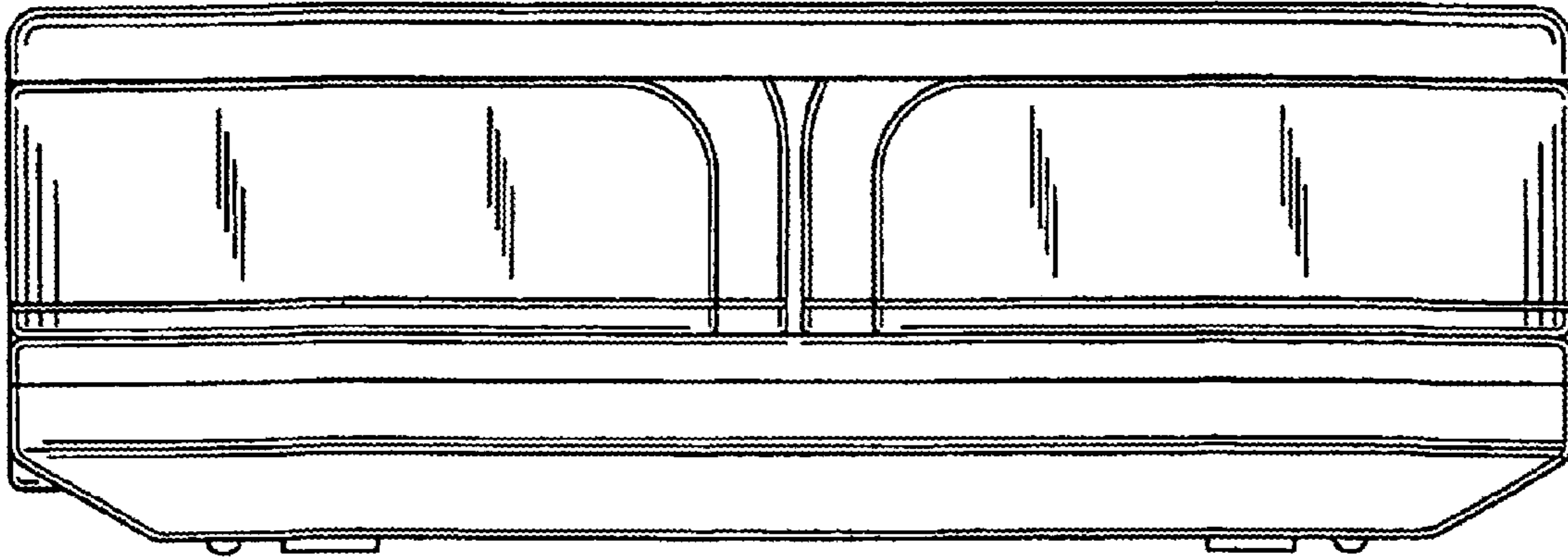


FIG. 10

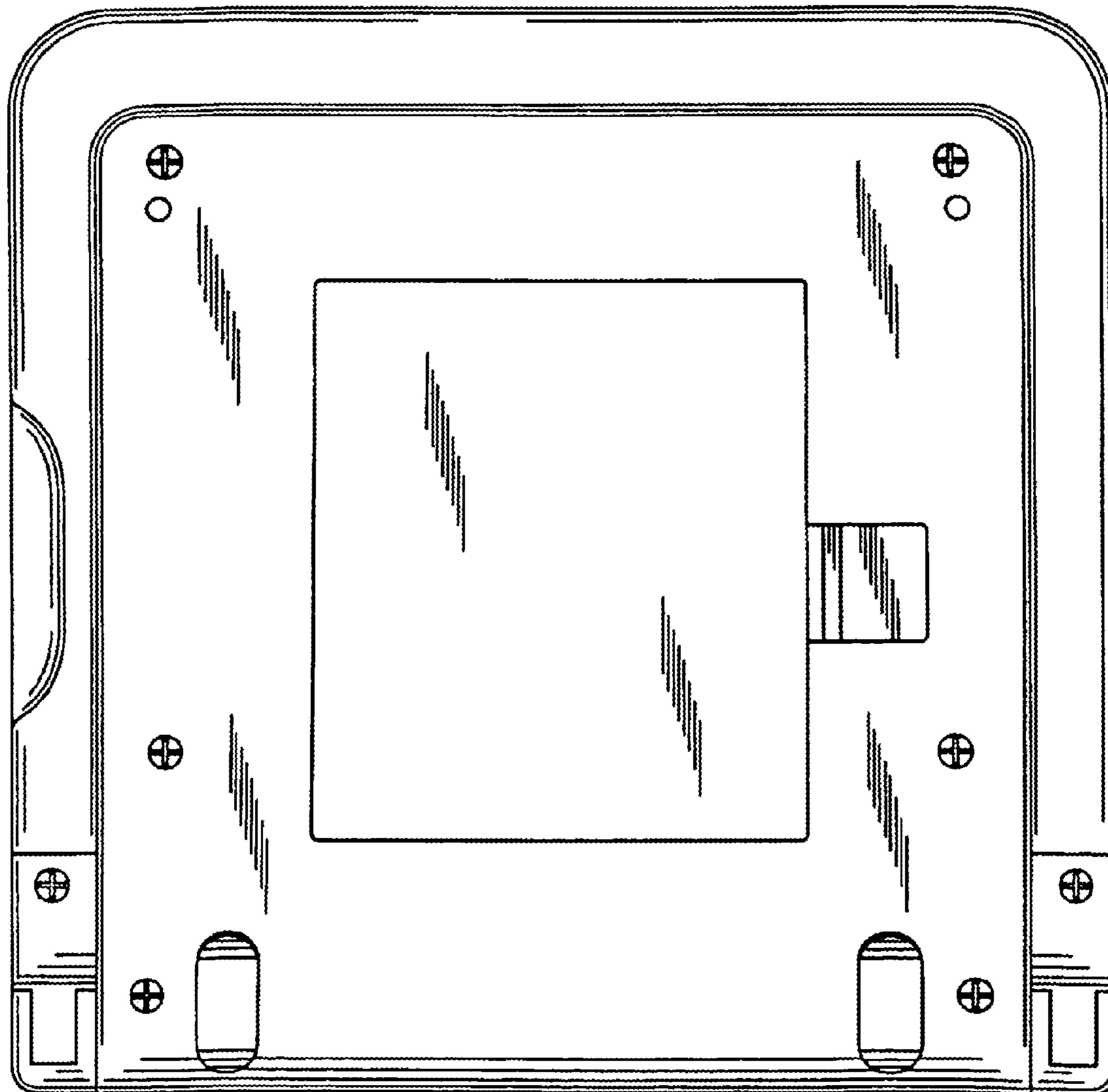


FIG. 11

